

US00D529167S

(12) **United States Design Patent**
Radtke et al.

(10) **Patent No.:** **US D529,167 S**

(45) **Date of Patent:** **** Sep. 26, 2006**

(54) **TWIN UV AC FAN**

4,657,483 A 4/1987 Bede 415/182
6,171,057 B1 1/2001 Chen 416/100

(75) Inventors: **Lee Radtke**, Lake Zurich, IL (US);
Yung Chen, Clarendon Hills, MI (US);
Linda Usher, Chicago, IL (US); **Eric**
Junkel, Des Plaines, IL (US)

Primary Examiner—Lisa Lichtenstein
(74) *Attorney, Agent, or Firm*—Gifford, Krass, Groh
Sprinkle, Anderson & Citowski, P.C.

(73) Assignee: **GLJ, LLC**, Chicago, IL (US)

(57) **CLAIM**

(**) Term: **14 Years**

The ornamental design for a twin UV AC fan, as shown and described.

(21) Appl. No.: **29/223,936**

DESCRIPTION

(22) Filed: **Feb. 22, 2005**

(51) **LOC (8) Cl.** **23-04**

(52) **U.S. Cl.** **D23/380**

(58) **Field of Classification Search** D23/380,
D23/378, 382, 370, 381, 332; 416/246
See application file for complete search history.

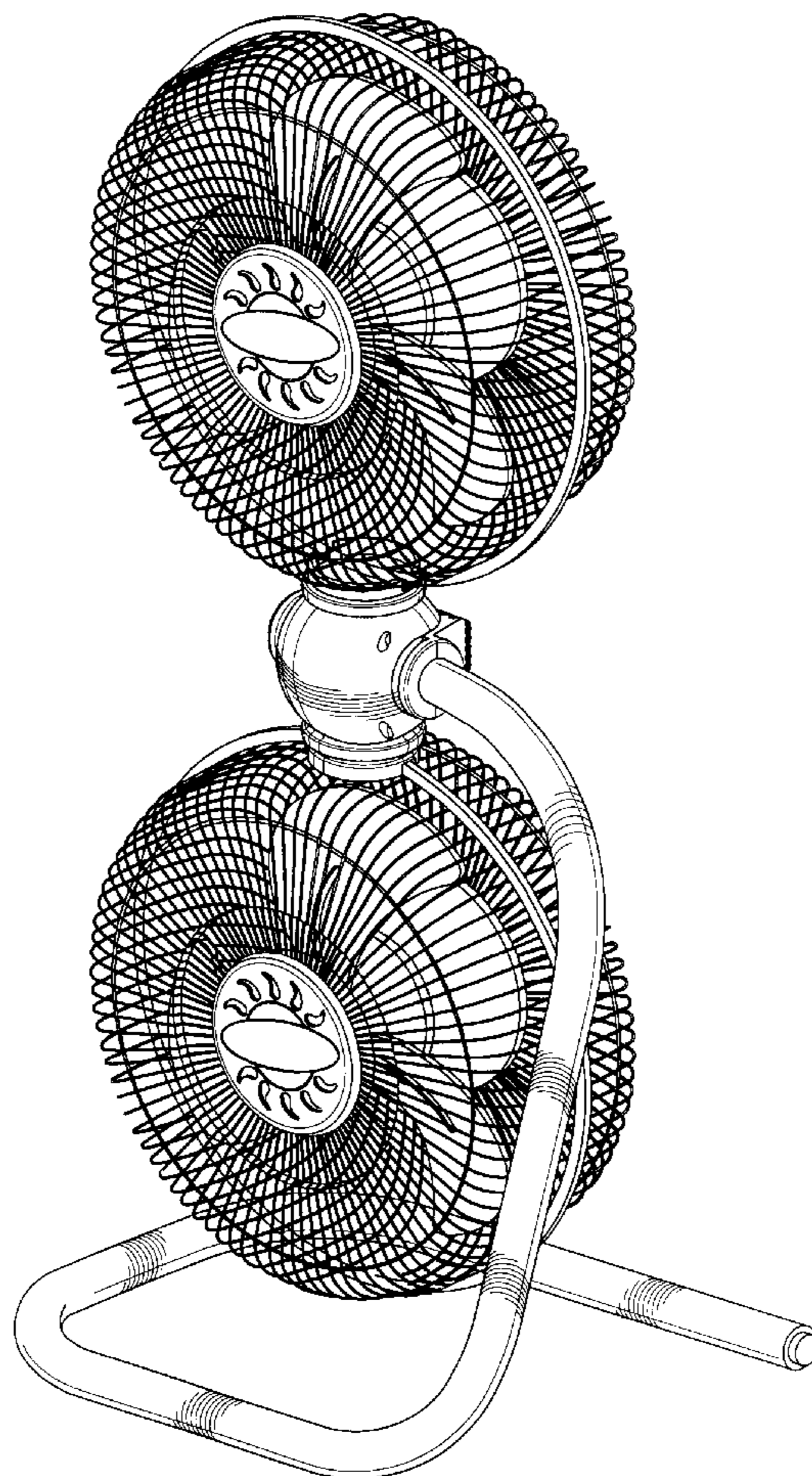
FIG. 1 is a perspective view of the twin UV AC fan according to the present design;
FIG. 2 is a front view of the present design;
FIG. 3 is a rear view of the present design;
FIG. 4 is a right side view of the present design;
FIG. 5 is a left side view of the present design;
FIG. 6 is a bottom view of the present design; and,
FIG. 7 is a top view of the present design.

(56) **References Cited**

U.S. PATENT DOCUMENTS

2,857,095 A 10/1958 Grau 230/273

1 Claim, 6 Drawing Sheets



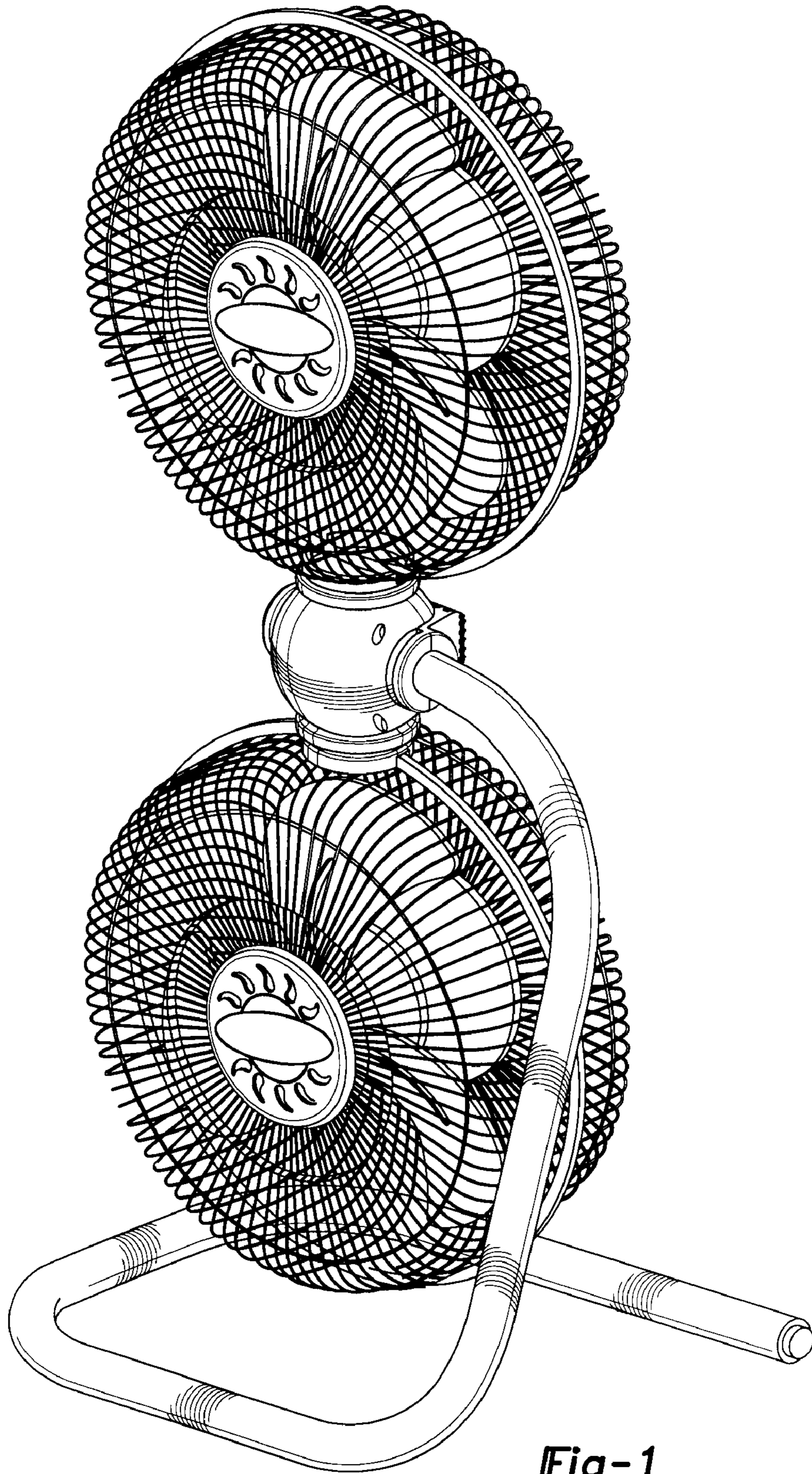


Fig-1

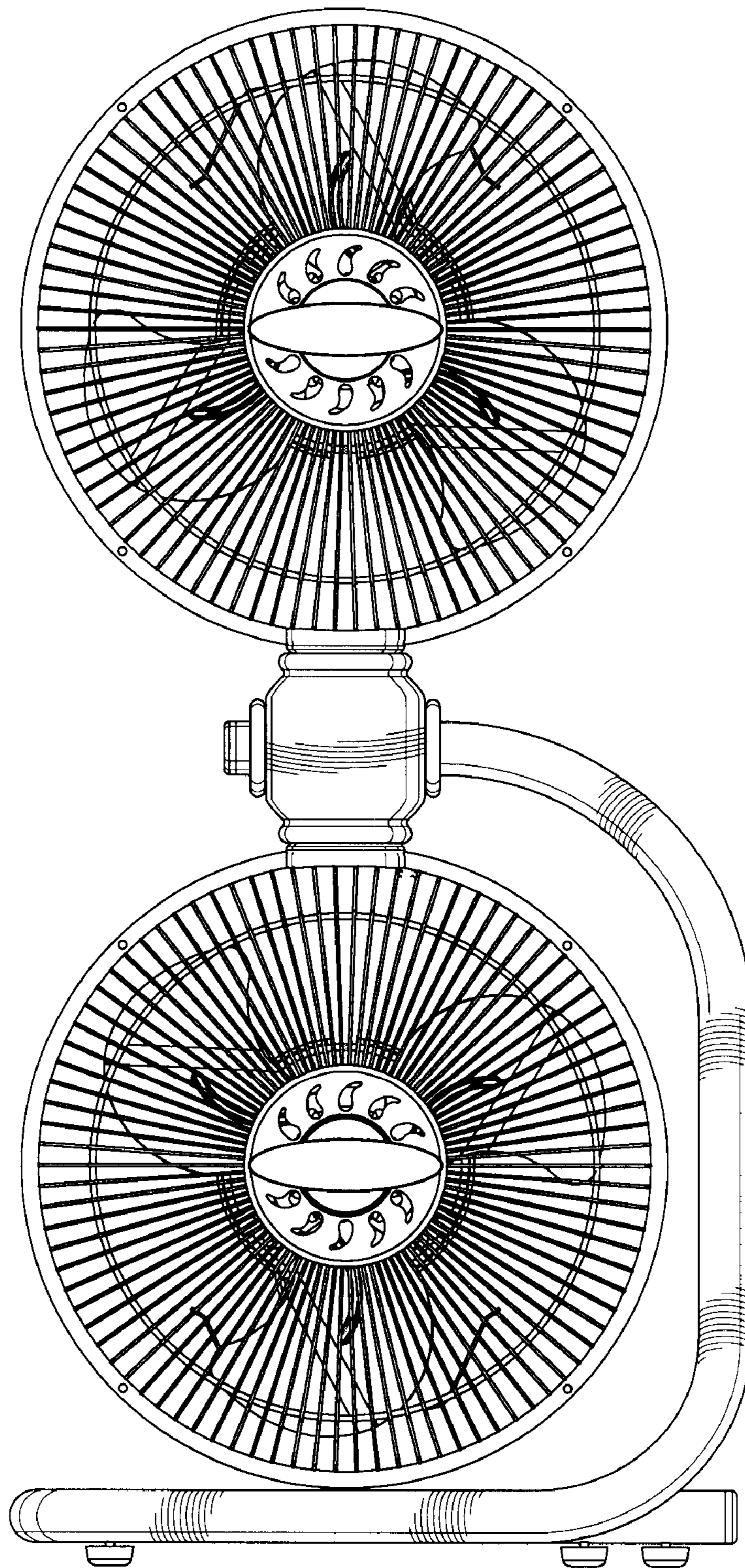


Fig-2

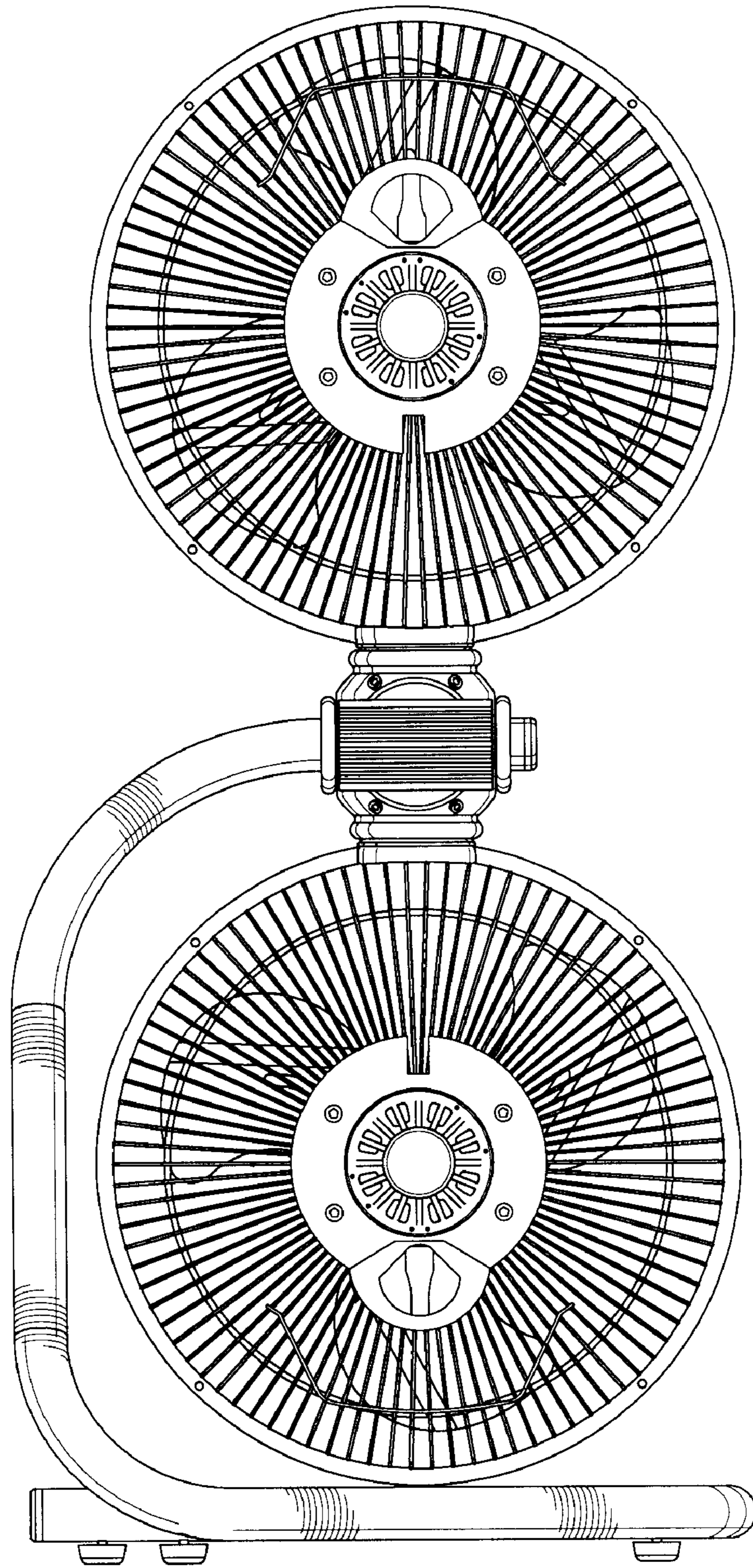


Fig-3

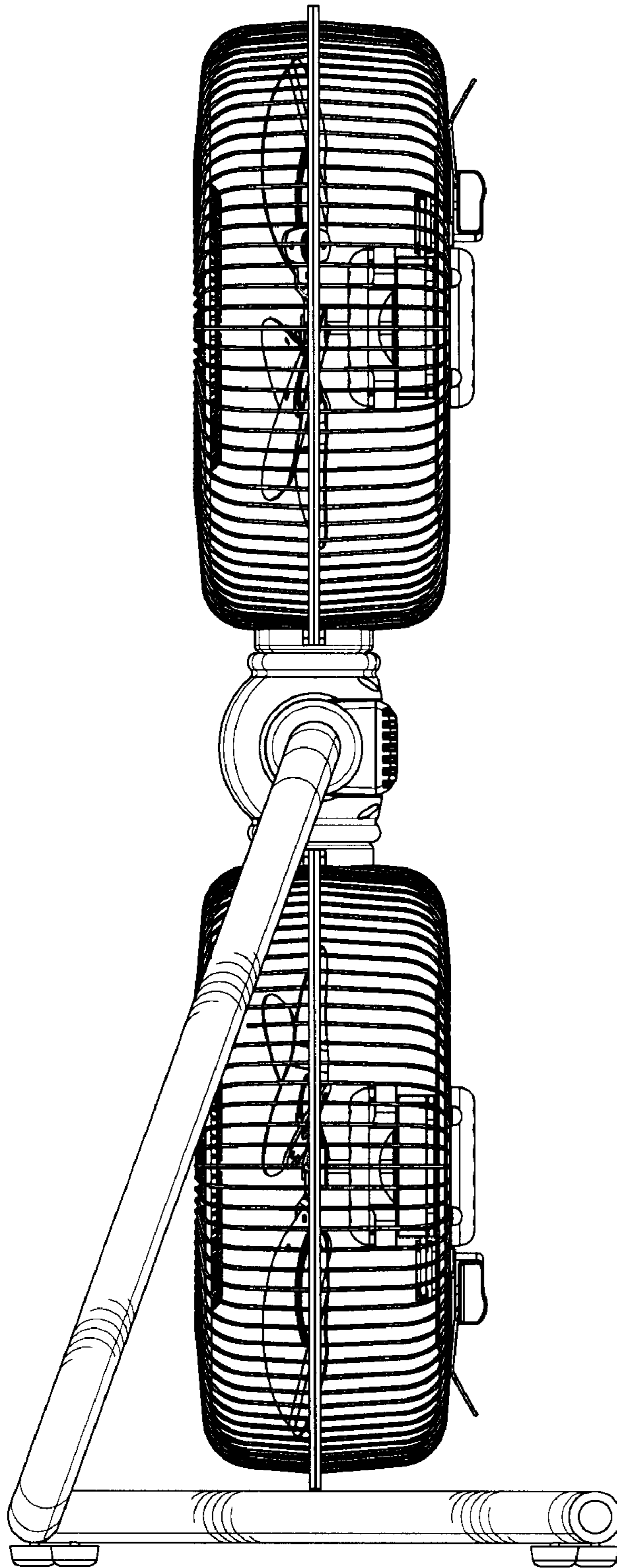


Fig-4

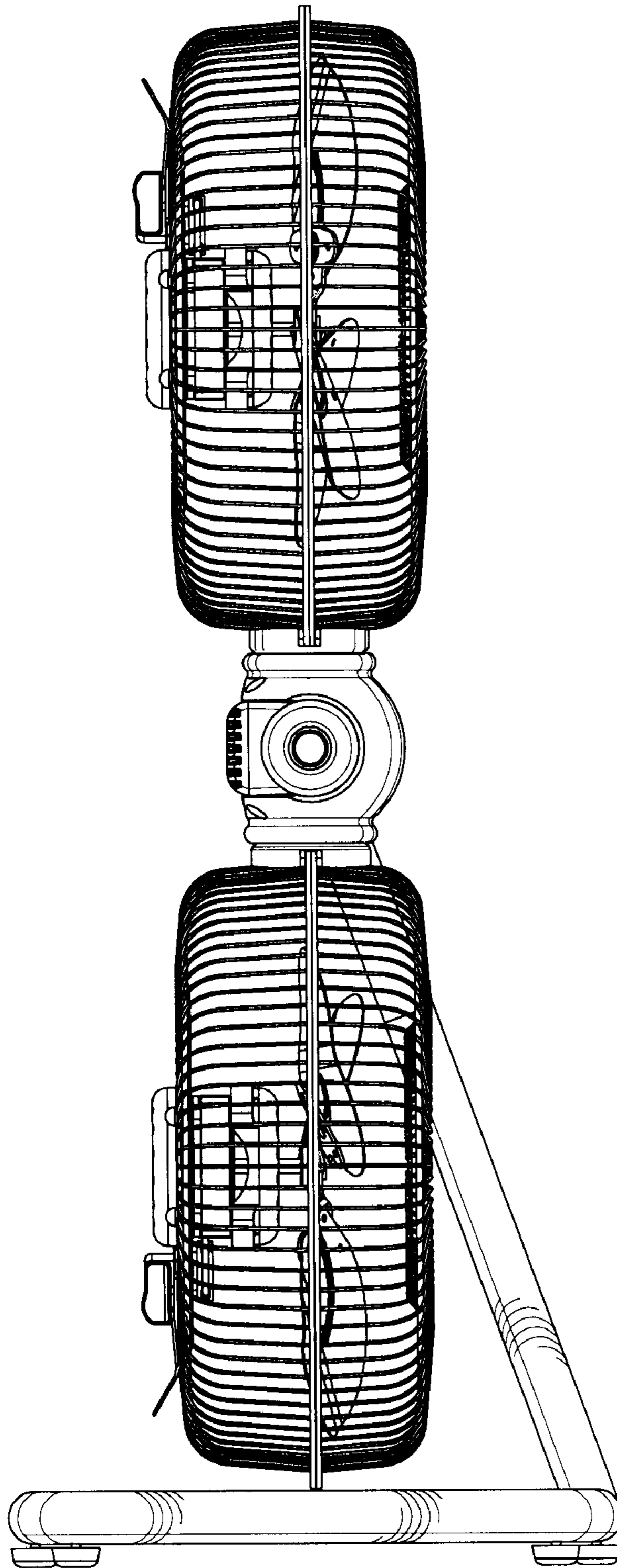


Fig-5

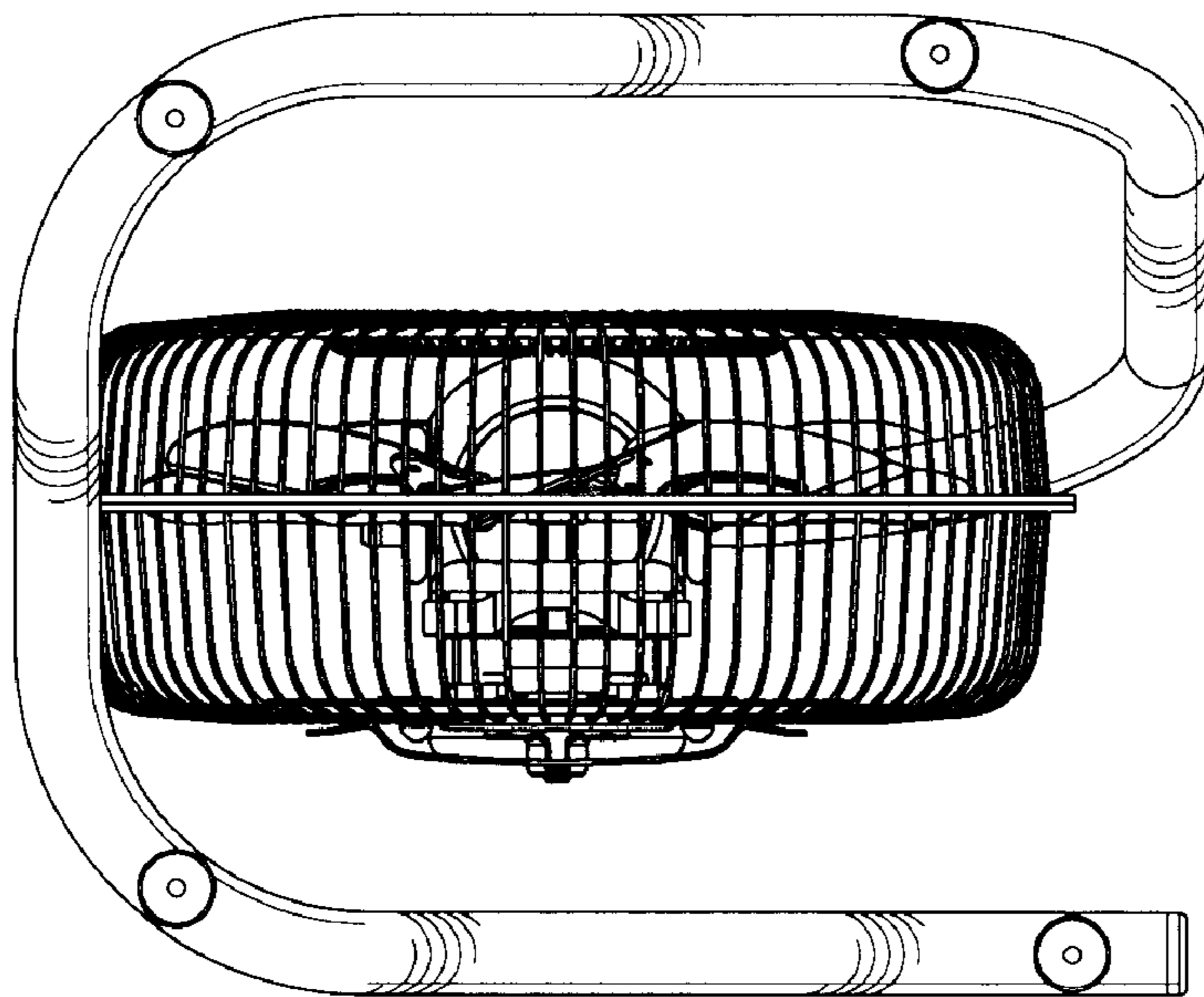


Fig-6

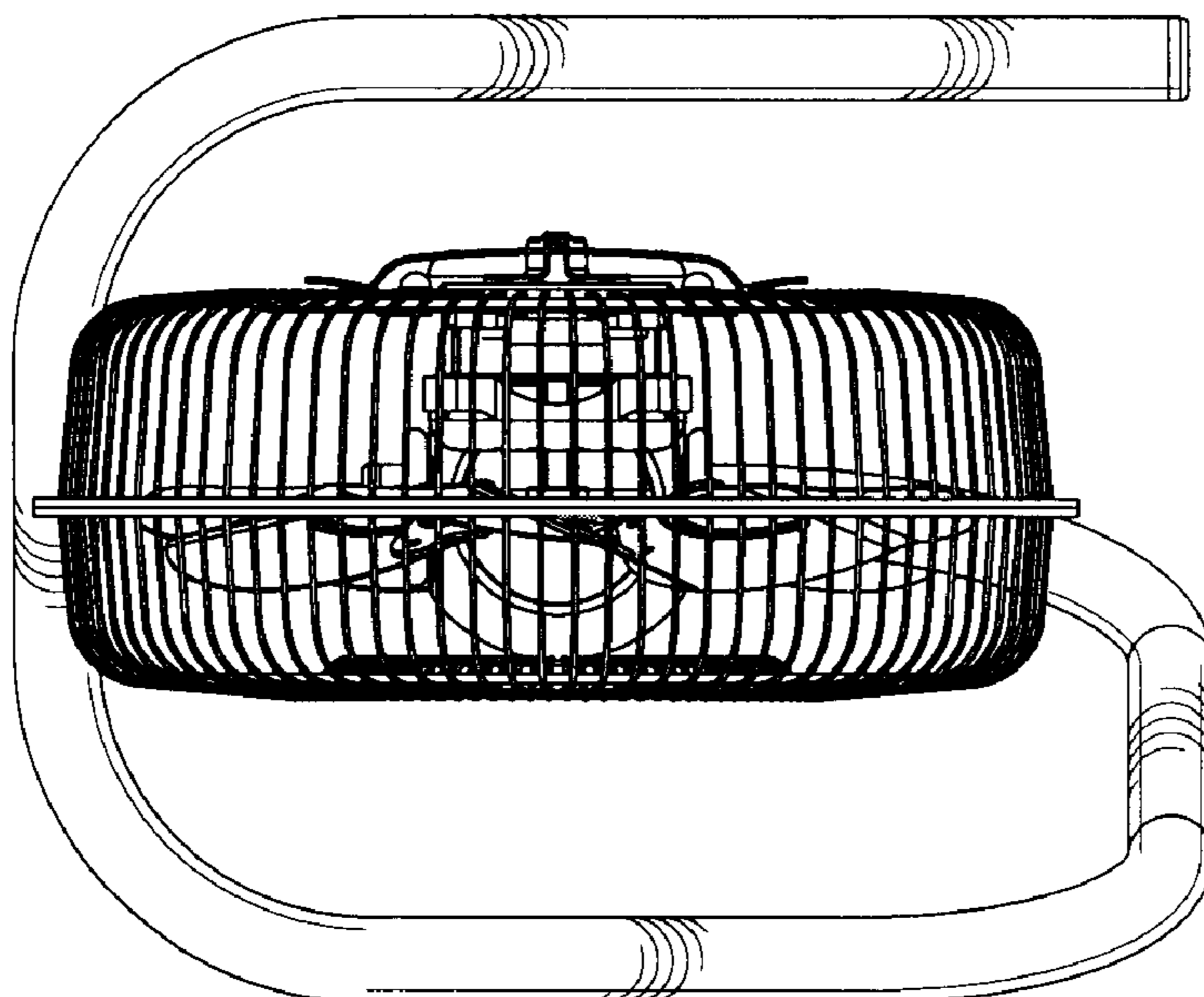


Fig-7