



US00D529163S

(12) **United States Design Patent**
Young

(10) **Patent No.:** **US D529,163 S**

(45) **Date of Patent:** **** *Sep. 26, 2006**

(54) **COMBINATION CEILING FAN AND LIGHT FIXTURE**

(75) Inventor: **Stanfield Young**, Los Alamitos, CA (US)

(73) Assignee: **Minka Lighting, Inc.**, Corona, CA (US)

(*) Notice: This patent is subject to a terminal disclaimer.

(**) Term: **14 Years**

(21) Appl. No.: **29/228,285**

(22) Filed: **Apr. 21, 2005**

(51) **LOC (8) Cl.** **23-04**

(52) **U.S. Cl.** **D23/377; 23/379; 26/59**

(58) **Field of Classification Search** D23/377,
D23/379, 385, 411, 413; 416/5; D26/59,
D26/71, 81-88, 51; 362/96

See application file for complete search history.

(56) **References Cited**

U.S. PATENT DOCUMENTS

D457,620 S	*	5/2002	Frampton	D23/413
D478,654 S	*	8/2003	Hidalgo	D23/413
D478,974 S	*	8/2003	Hidalgo	D23/377
D485,345 S	*	1/2004	Bucher	D23/377
D489,124 S	*	4/2004	Young	D23/377
D507,646 S	*	7/2005	Young	D23/413

OTHER PUBLICATIONS

Hampton Bay Internet Catalog; Cruiser; Model # 04345; printed from www.homedepot.om on Apr. 20, 2005.

Ellington Internet Catalog; The Surfboard; Model #ELSBF58AN5LKRCR2; printed from www.fansworkout-let.com on Apr. 20, 2005.

Homer TLC Inc.; Hampton Bay Catalog; 2004, p. 37, vol. 2; Homer TLC, Inc.

* cited by examiner

Primary Examiner—Lisa Lichtenstein

(74) *Attorney, Agent, or Firm*—Baker & McKenzie LLP

(57) **CLAIM**

The ornamental design for a combination ceiling fan and light fixture, as shown and described.

DESCRIPTION

FIG. 1 is a perspective view from below of a combination ceiling fan and light fixture in accordance with my design; FIG. 2 is a top plan view of the combination ceiling fan and light fixture in accordance with my design;

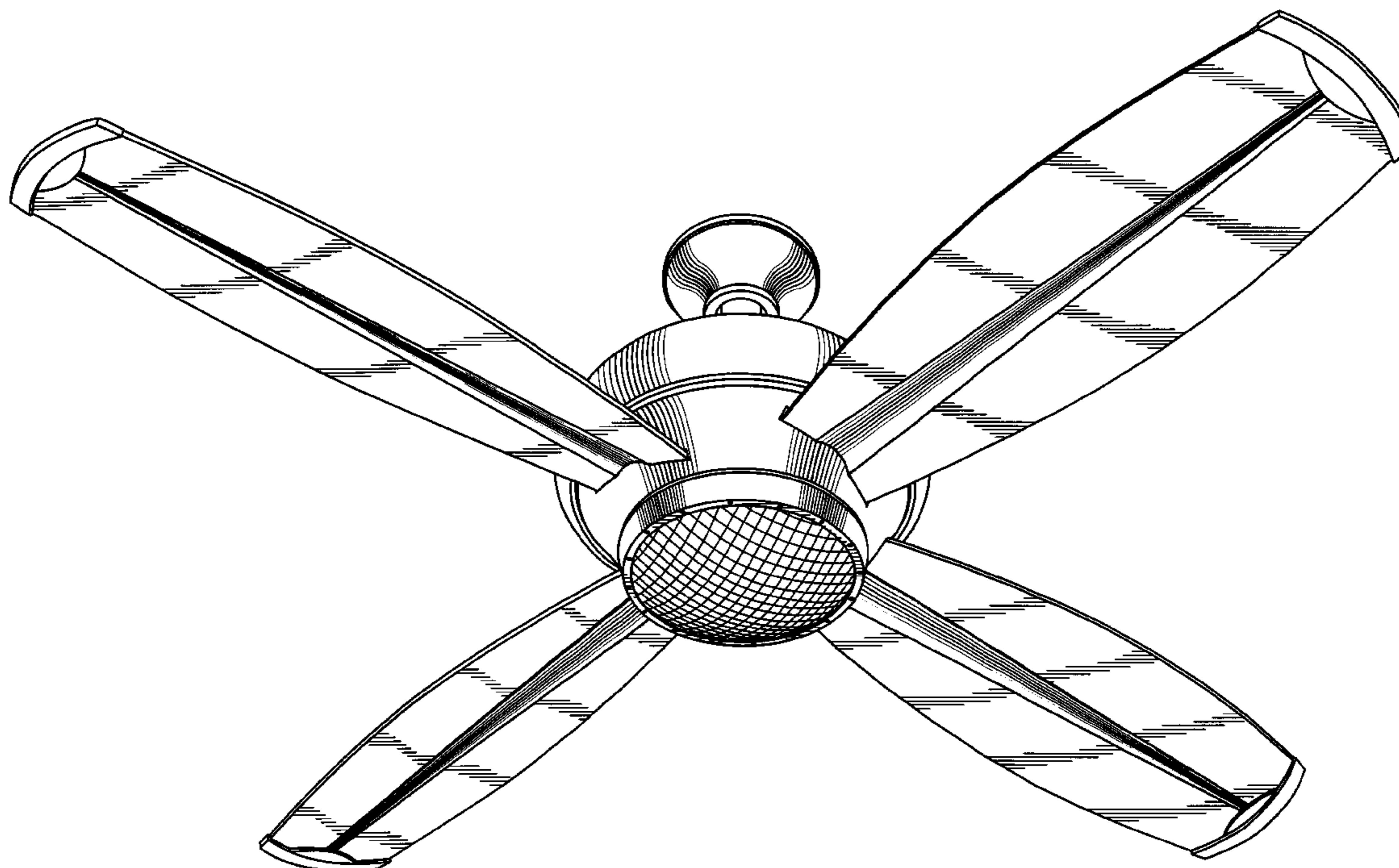
FIG. 3 is a bottom plan view of the combination ceiling fan and light fixture in accordance with my design;

FIG. 4 is a front elevation view of the combination ceiling fan and light fixture in accordance with my design; and,

FIG. 5 is a side elevation view of the combination ceiling fan and light fixture in accordance with my design.

FIGS. 4 and 5 are identical except for the positioning of the fan blades.

1 Claim, 5 Drawing Sheets



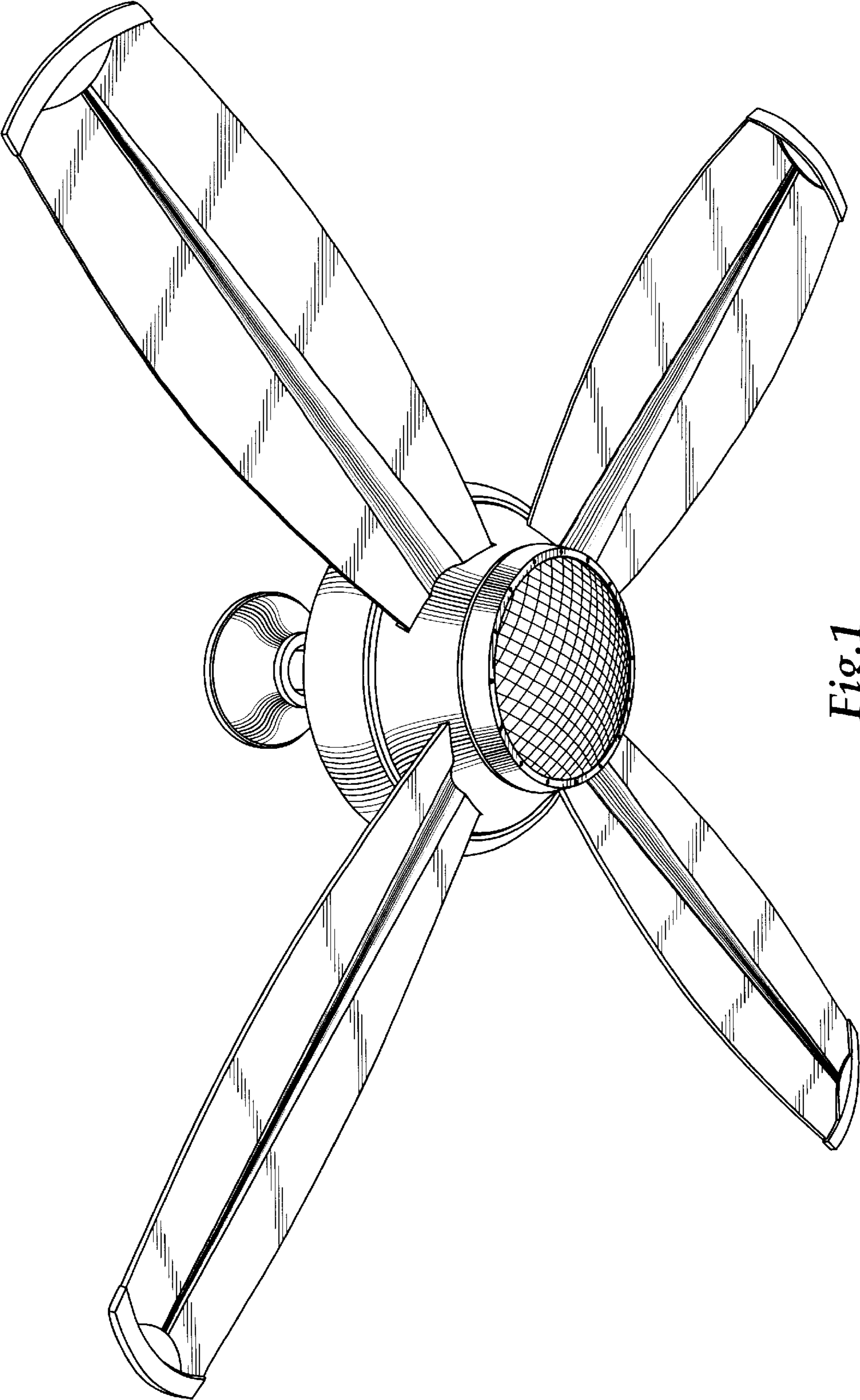


Fig.1

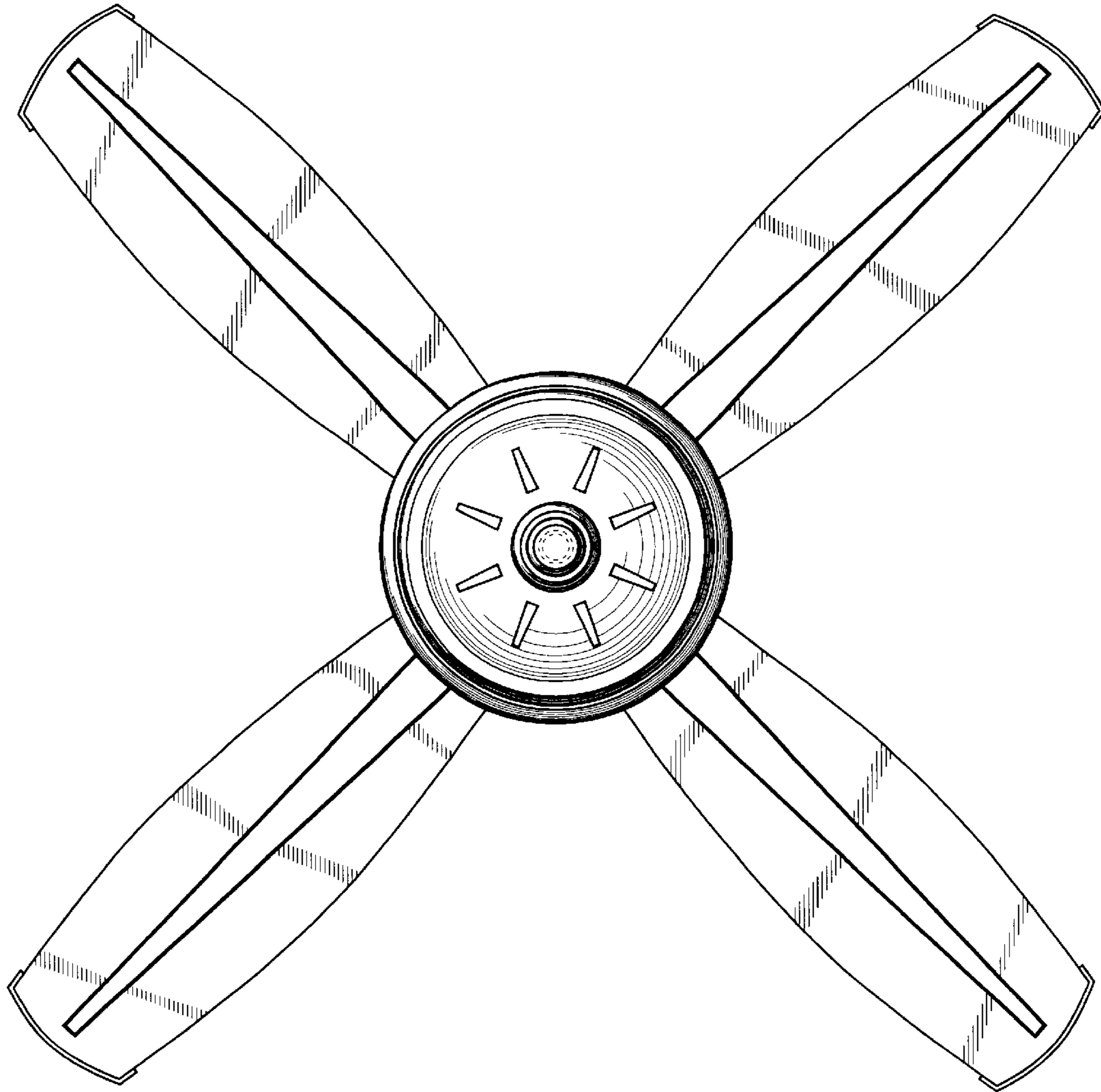


Fig.2

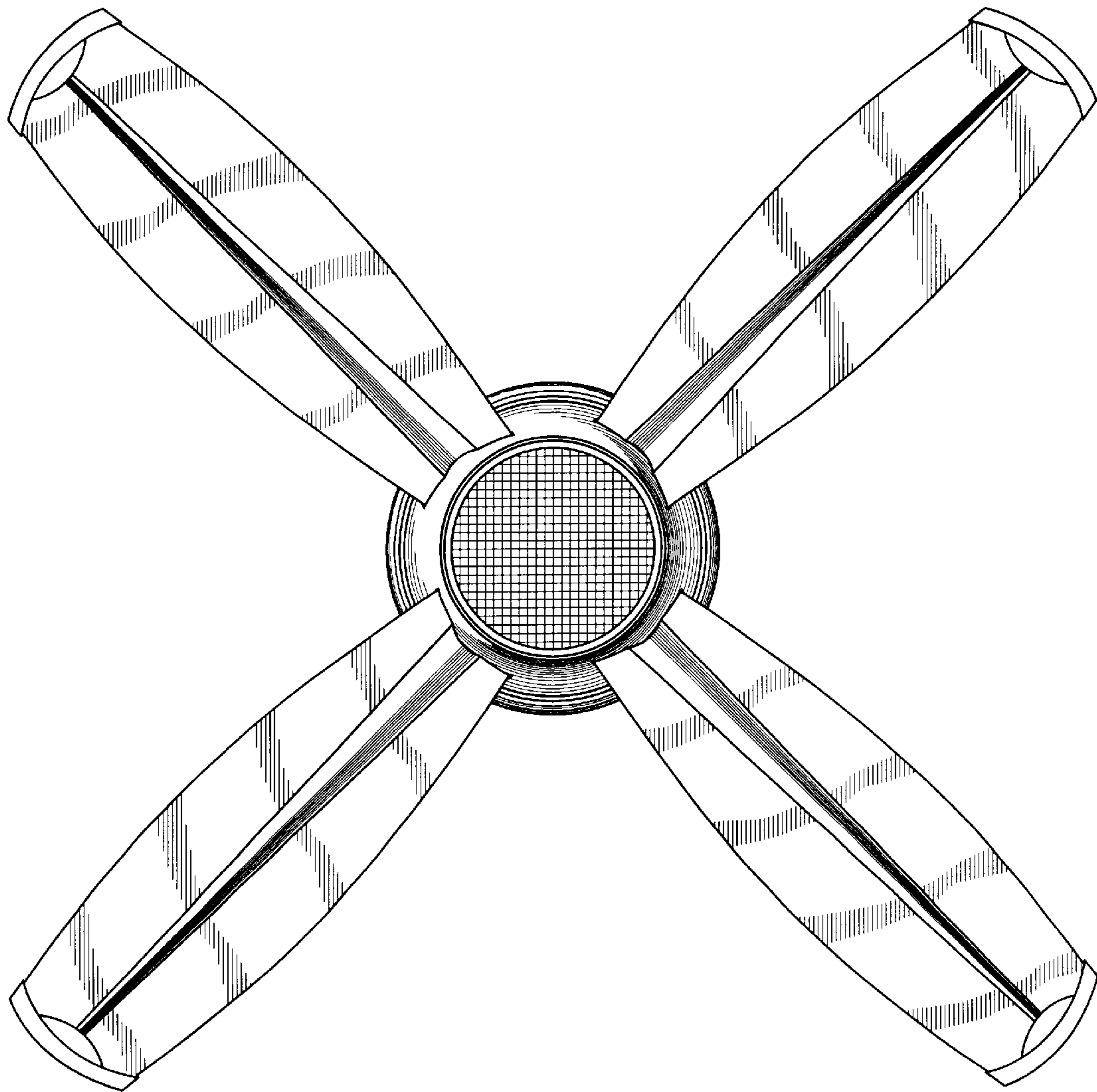


Fig.3

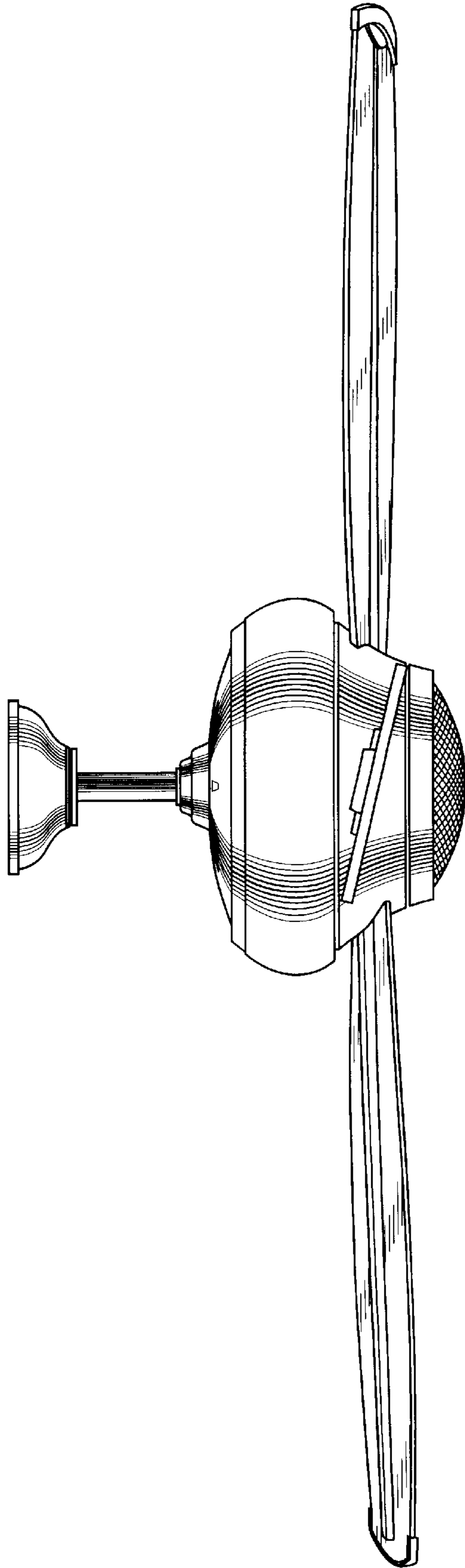


Fig.4

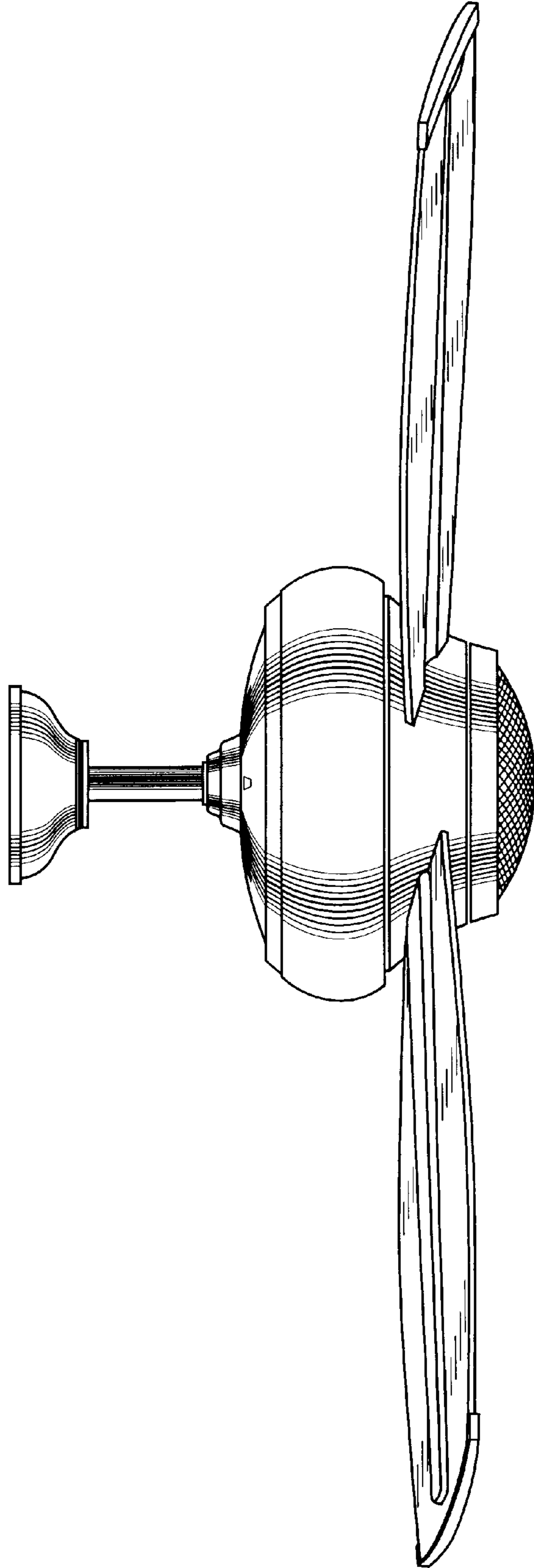


Fig.5