



US00D529162S

(12) **United States Design Patent**
Bulsink

(10) **Patent No.:** **US D529,162 S**

(45) **Date of Patent:** **** Sep. 26, 2006**

(54) **AIR DEODORIZER HOLDER**

D485,341 S * 1/2004 Wu D23/366
D491,256 S 6/2004 Fellows et al.

(75) Inventor: **Dirk Jan Bulsink**, Leiden (NL)

* cited by examiner

(73) Assignee: **Sara Lee Household and Body Care**
Nederland B.V., Veenendaal (NL)

Primary Examiner—Sandra S. Snapp
(74) *Attorney, Agent, or Firm*—Kilpatrick Stockton LLP

(**) Term: **14 Years**

(57) **CLAIM**

(21) Appl. No.: **29/215,804**

I claim the ornamental design for an air deodorizer holder,
as shown.

(22) Filed: **Oct. 25, 2004**

DESCRIPTION

(30) **Foreign Application Priority Data**

Apr. 27, 2004 (EM) 169172

(51) **LOC (8) Cl.** **23-04**

(52) **U.S. Cl.** **D23/366**

(58) **Field of Classification Search** D23/356–369;
392/390, 392, 393, 394, 398; 239/34, 53,
239/56, 57, 58, 135, 136; 261/DIG. 17, DIG. 65,
261/DIG. 88, DIG. 89

See application file for complete search history.

FIG. 1 is a front perspective view of an air deodorizer holder comprising the present invention;
FIG. 2 is a rear perspective view of the deodorizer holder shown in FIG. 1;
FIG. 3 is a front elevation view of the air deodorizer holder shown in FIG. 1 and FIG. 2;
FIG. 4 is a rear elevation view of the air deodorizer holder shown in FIG. 1, FIG. 2 and FIG. 3;
FIG. 5 is a right side elevation view of the air deodorizer holder shown in FIG. 1, FIG. 2, FIG. 3 and FIG. 4;
FIG. 6 is a left side elevation view of the air deodorizer holder shown in FIG. 1, FIG. 2, FIG. 3, FIG. 4 and FIG. 5;
FIG. 7 is a top plan view of the air deodorizer holder shown in FIG. 1, FIG. 2, FIG. 3, FIG. 4, FIG. 5 and FIG. 6; and, FIG. 8 is a bottom plan view of the air deodorizer holder shown in FIG. 1, FIG. 2, FIG. 3, FIG. 4, FIG. 5, FIG. 6 and FIG. 7.

(56) **References Cited**

U.S. PATENT DOCUMENTS

D432,222 S 10/2000 Rymer et al.
D452,955 S * 1/2002 Bulsink D9/517
D465,019 S * 10/2002 Wu D23/366
D480,792 S 10/2003 Millan
D481,787 S 11/2003 Millan
D485,340 S * 1/2004 Wu D23/366

1 Claim, 3 Drawing Sheets

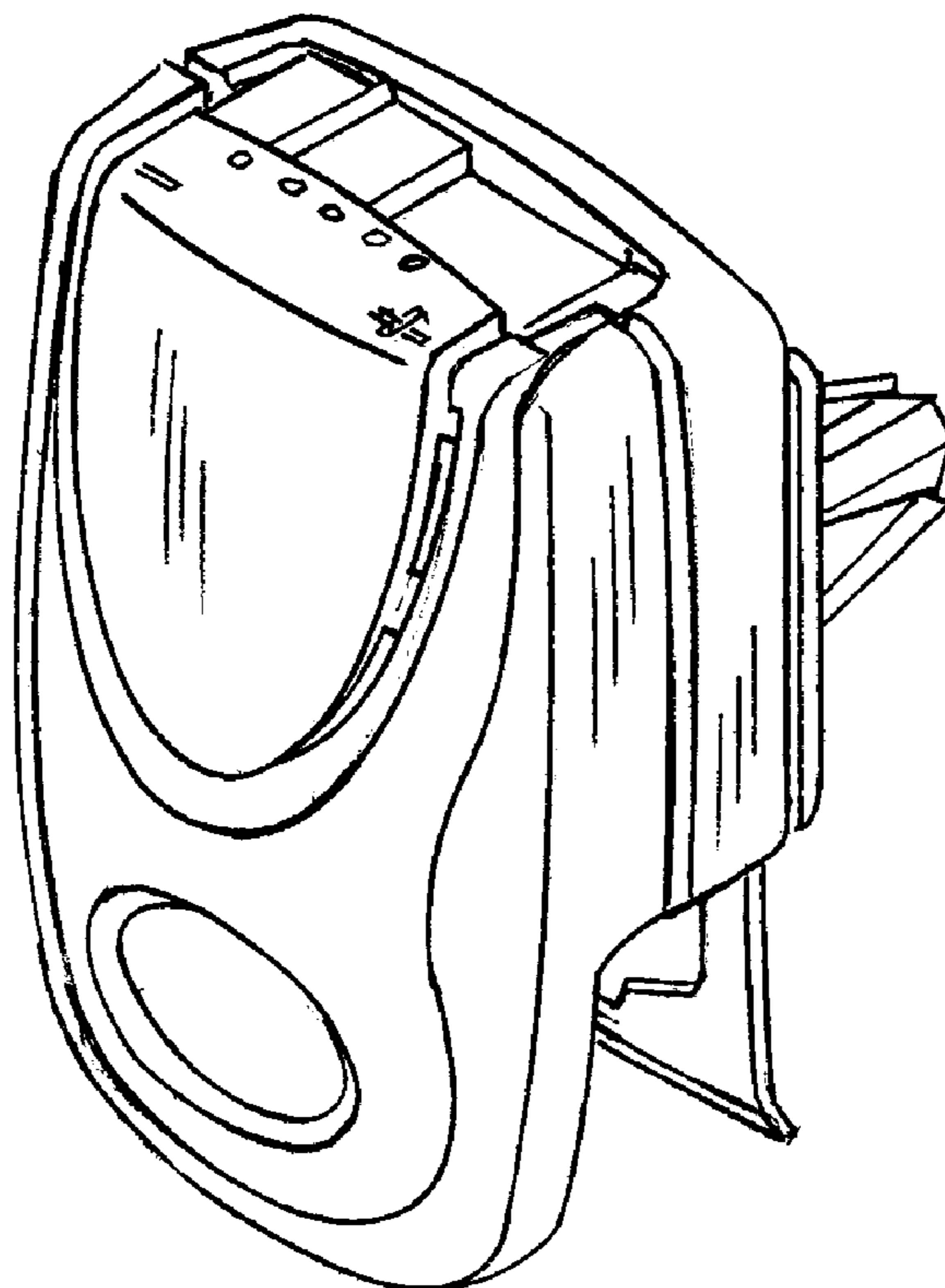


FIG. 1

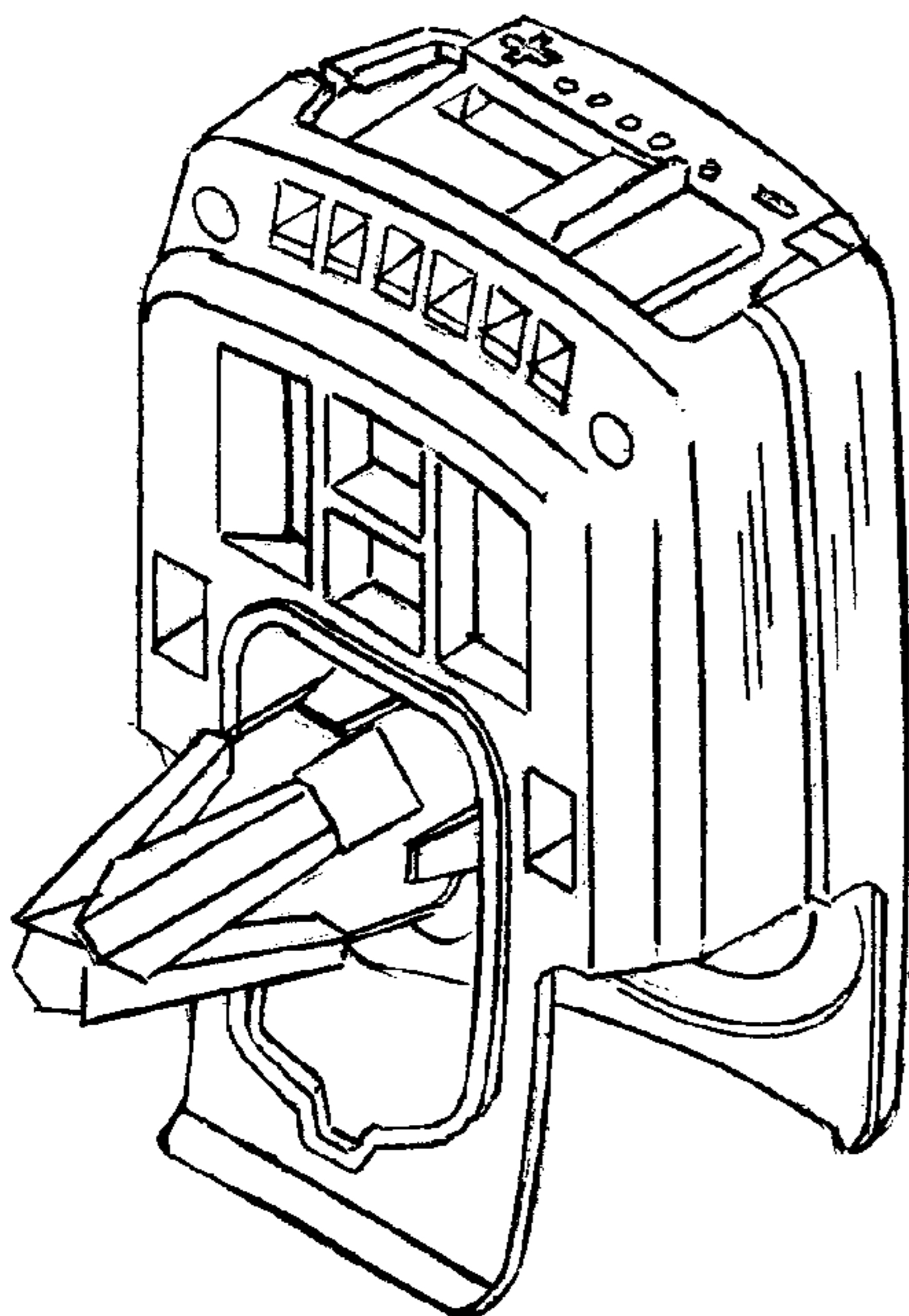
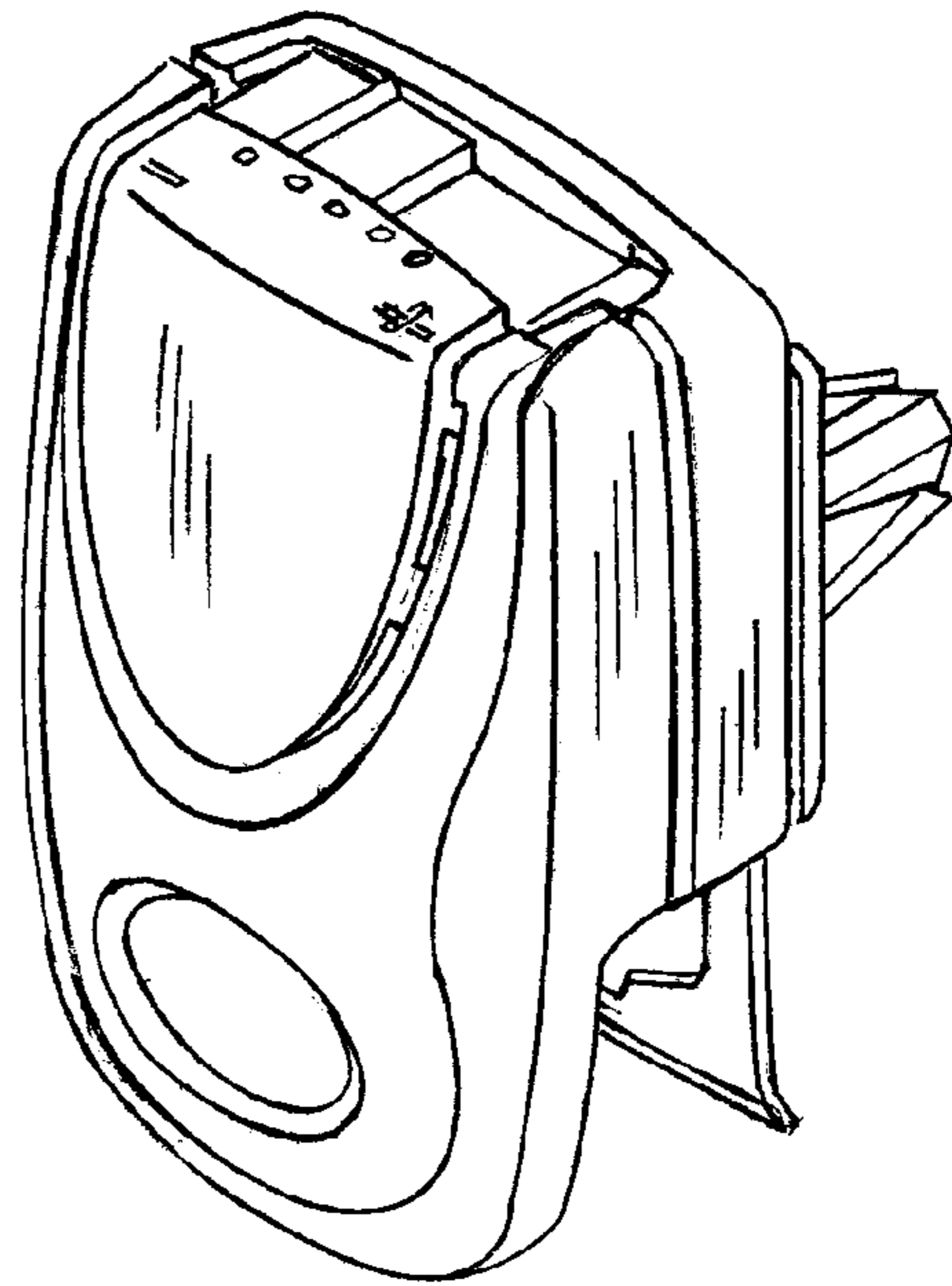


FIG. 2

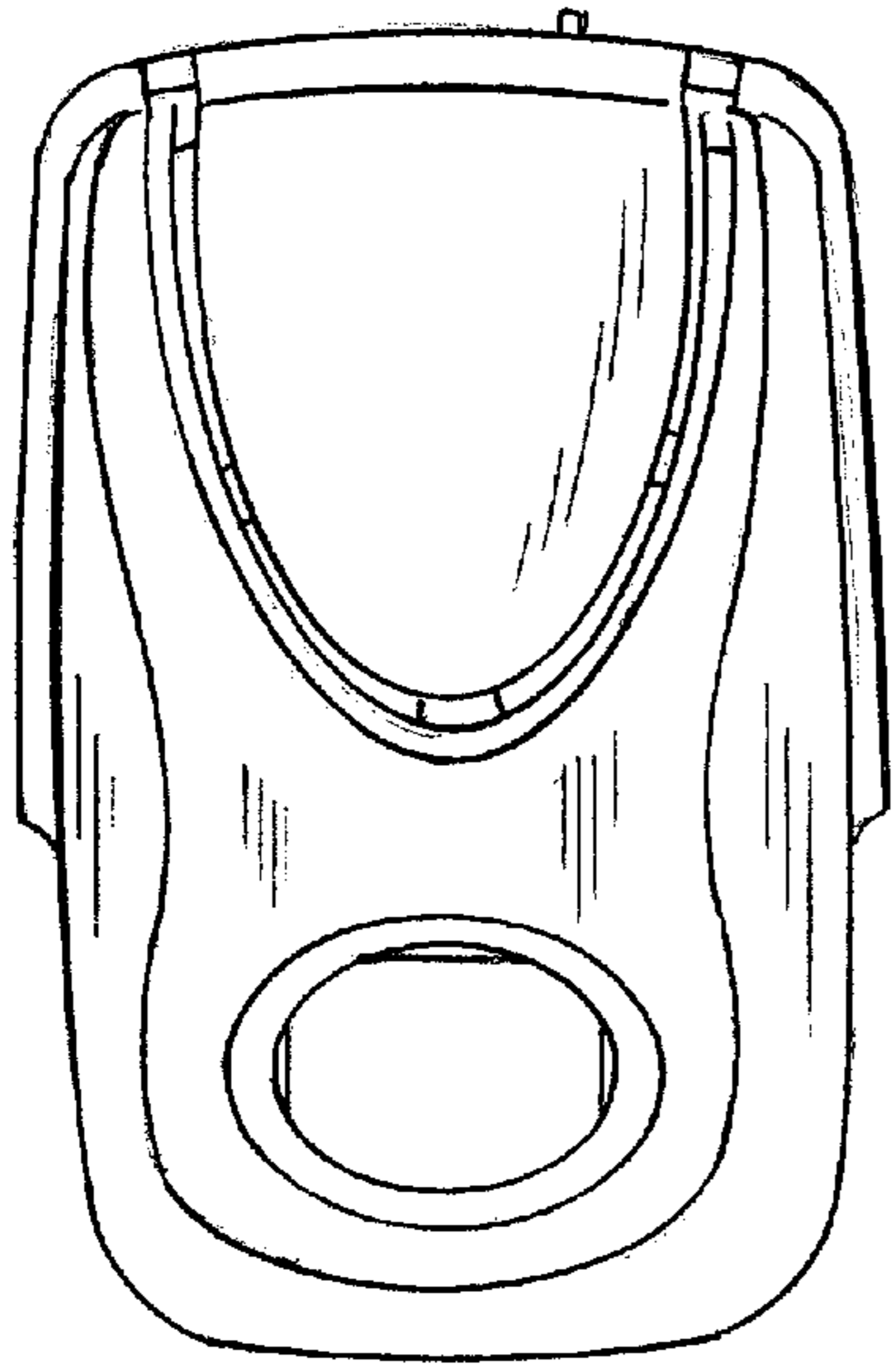


FIG. 3

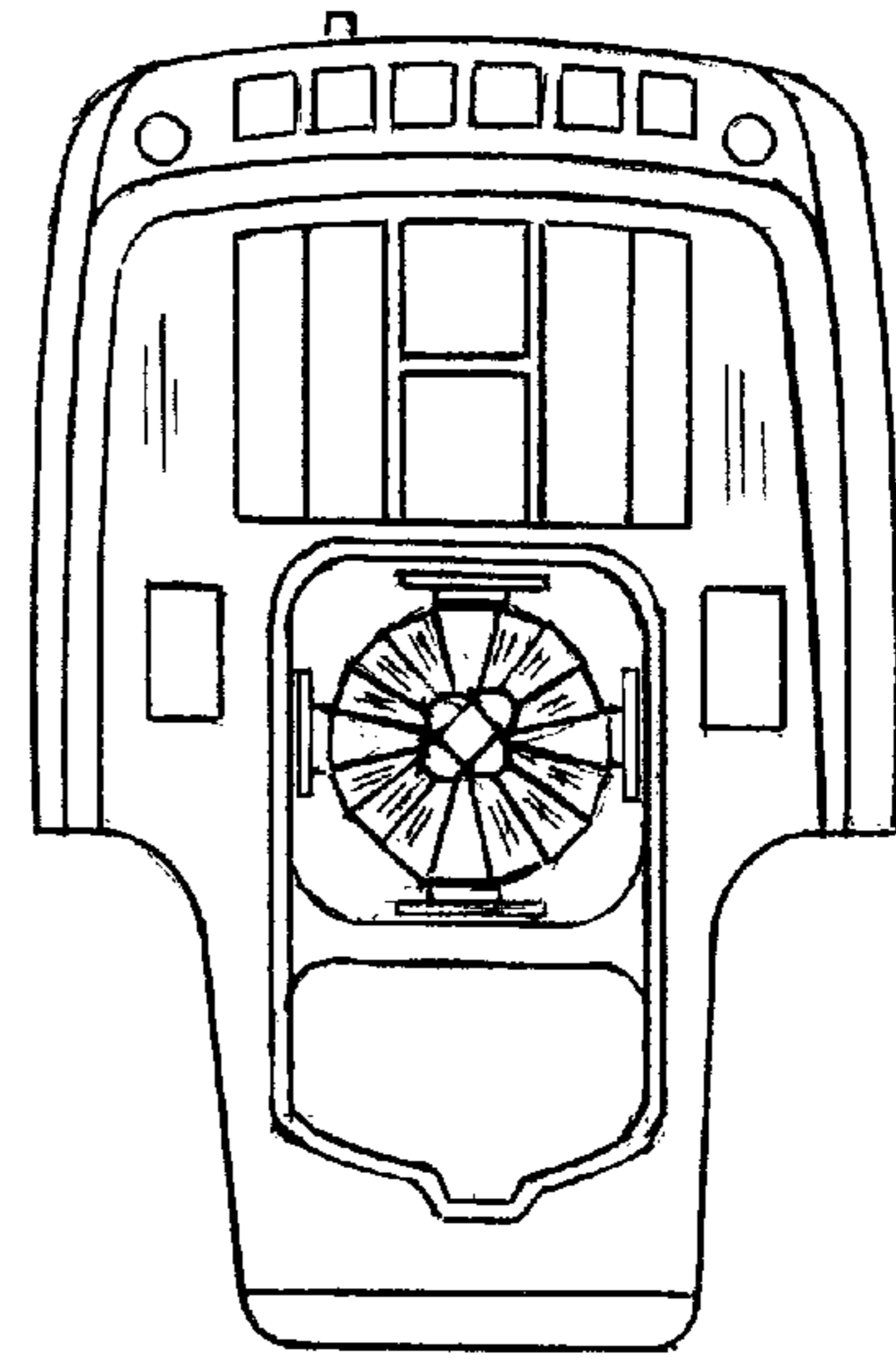


FIG. 4

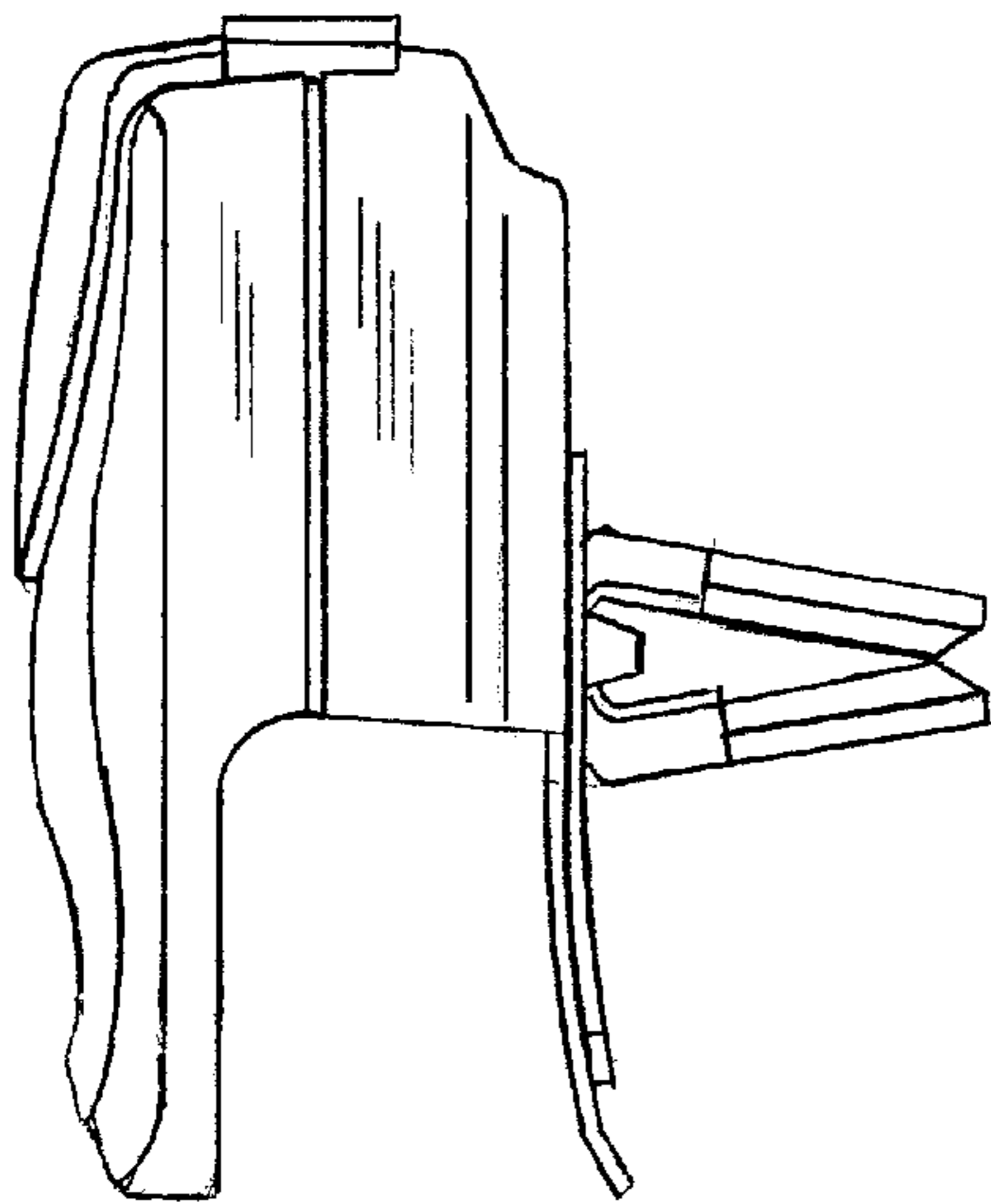


FIG. 5

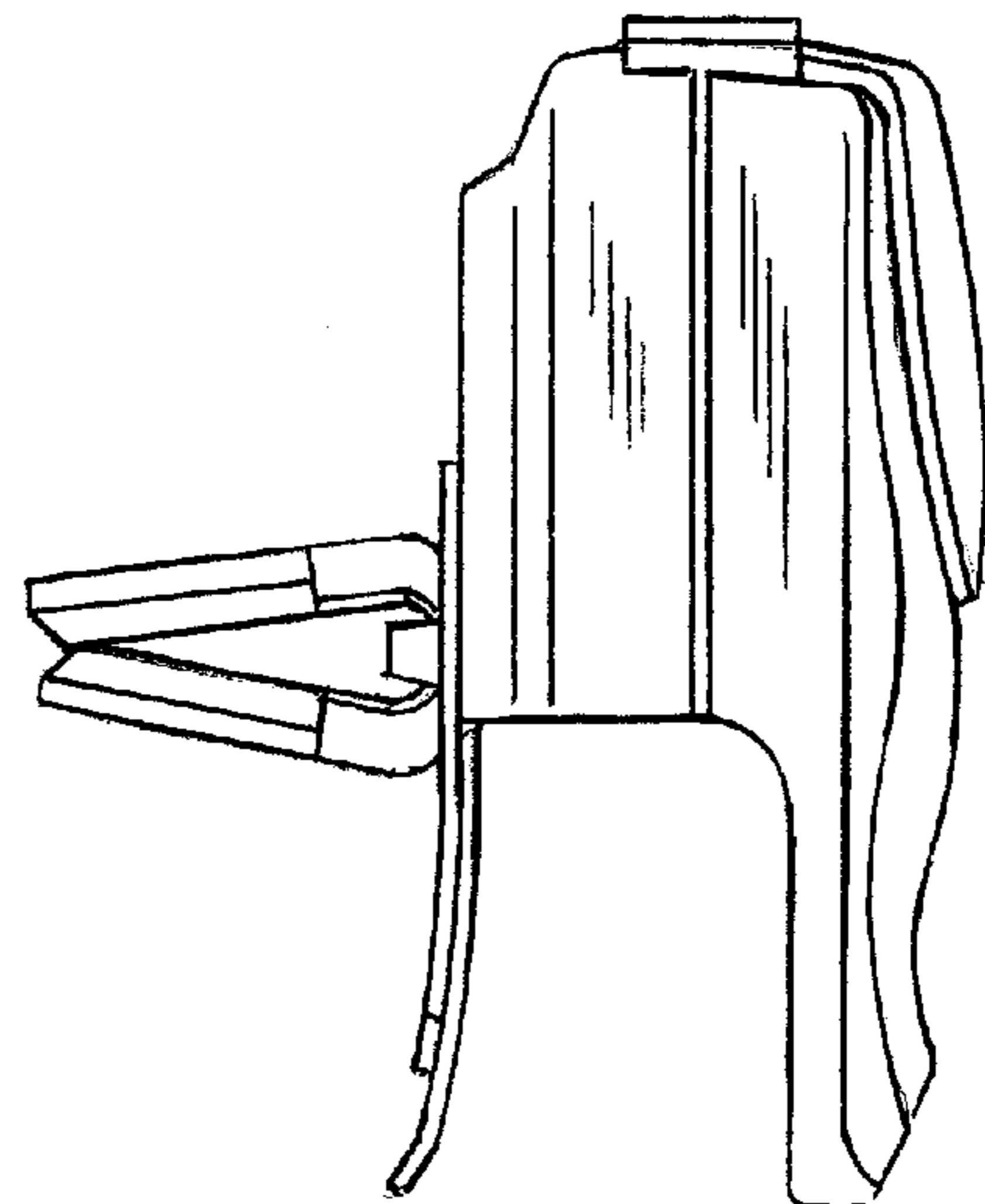


FIG. 6

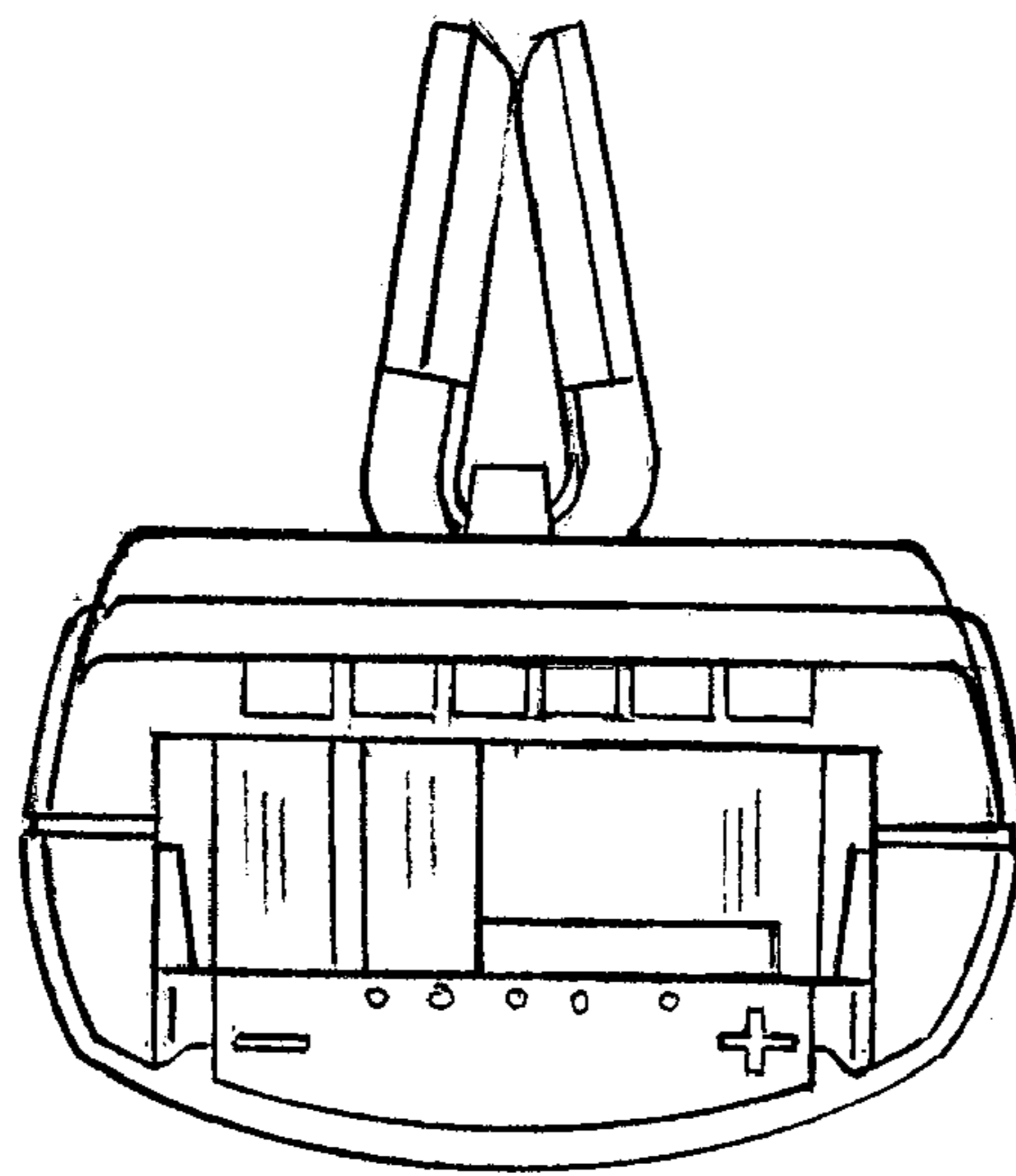


FIG. 7

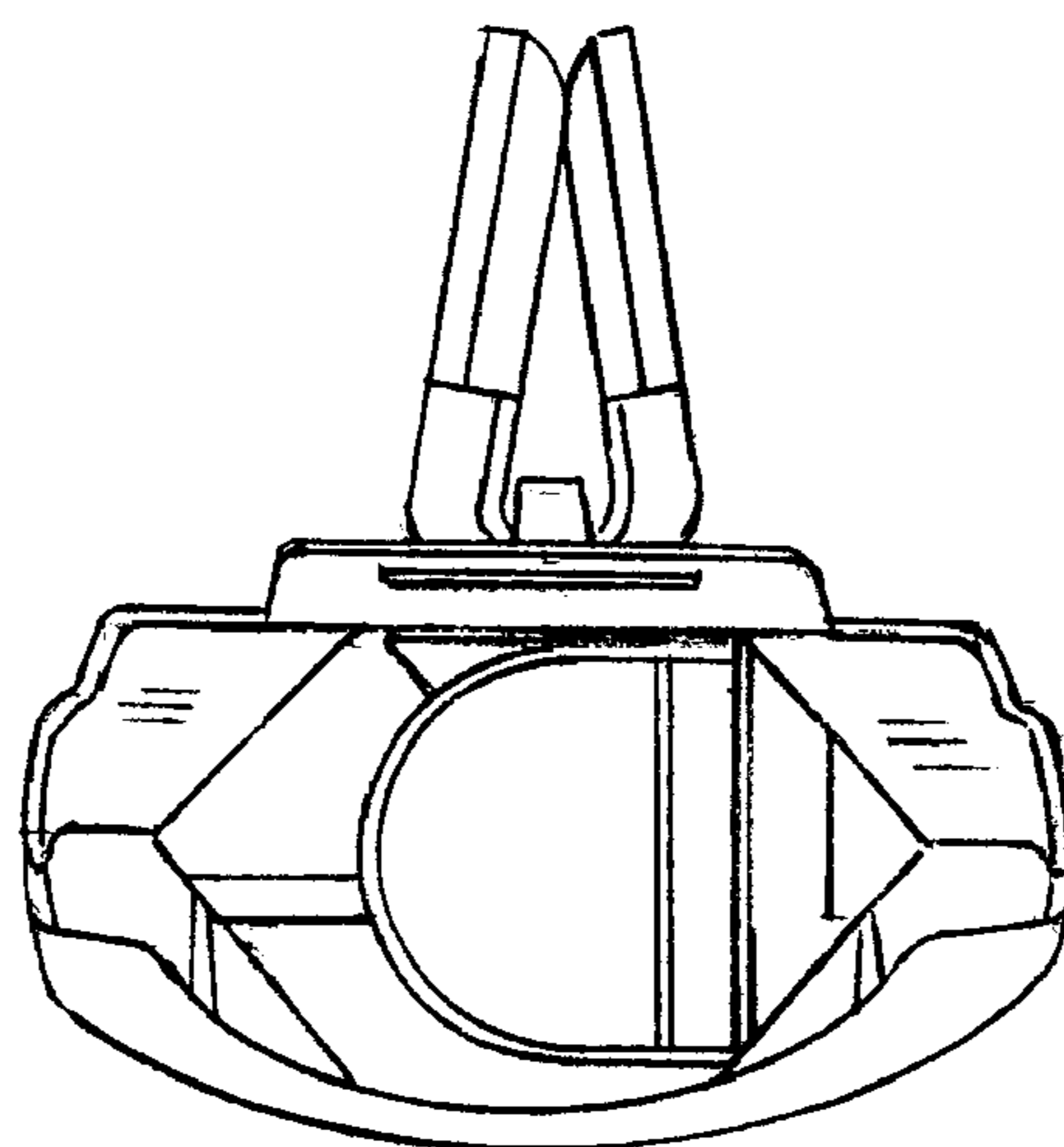


FIG. 8