



US00D529147S

(12) **United States Design Patent**
Sutopo

(10) **Patent No.:** **US D529,147 S**

(45) **Date of Patent:** **** Sep. 26, 2006**

(54) **SINK**

(75) Inventor: **Elise A. Sutopo**, Sheboygan, WI (US)

(73) Assignee: **Kohler Co.**, Kohler, WI (US)

(**) Term: **14 Years**

(21) Appl. No.: **29/216,578**

(22) Filed: **Nov. 5, 2004**

(51) **LOC (8) Cl.** **23-02**

(52) **U.S. Cl.** **D23/284**

(58) **Field of Classification Search** D23/272-274,
D23/284-285, 288-289, 291, 293.1, 303,
D23/308; 4/515-516, 519, 619, 650, 661

See application file for complete search history.

(56) **References Cited**

U.S. PATENT DOCUMENTS

1,848,385	A	3/1932	Schindoski	
D202,411	S	* 9/1965	Niemann D23/293.1
3,358,296	A	12/1967	Bosler	
D328,338	S	7/1992	Ragonot	
D385,957	S	11/1997	Laguera Garza	
5,797,150	A	8/1998	Lanz	
D433,741	S	11/2000	Singer	
D434,124	S	11/2000	McKeone	
D455,200	S	4/2002	Marshall	
D495,792	S	* 9/2004	Sutopo D23/293.1

OTHER PUBLICATIONS

Franke website page, "Element PCX/PRX-110-21".
Kohler catalog p. 14.7, Vessels Lavatories, "Watercove" and
"Conical Bell".

Kohler catalog p. 16.66, Entertainment Sinks, Cast Iron,
"Entertainer" and "Iron/Tones".

* cited by examiner

Primary Examiner—Robert A. Delehanty

(74) *Attorney, Agent, or Firm*—Quarles & Brady LLP

(57) **CLAIM**

The ornamental design for a sink, as shown and described.

DESCRIPTION

In a preferred embodiment, the nature of this product is as
a plumbing fixture in the form of a sink which is primarily
useful for washing kitchen items.

FIG. 1 is a right, top, front perspective view of a sink
embodying my new design;

FIG. 2 is a top plan view thereof;

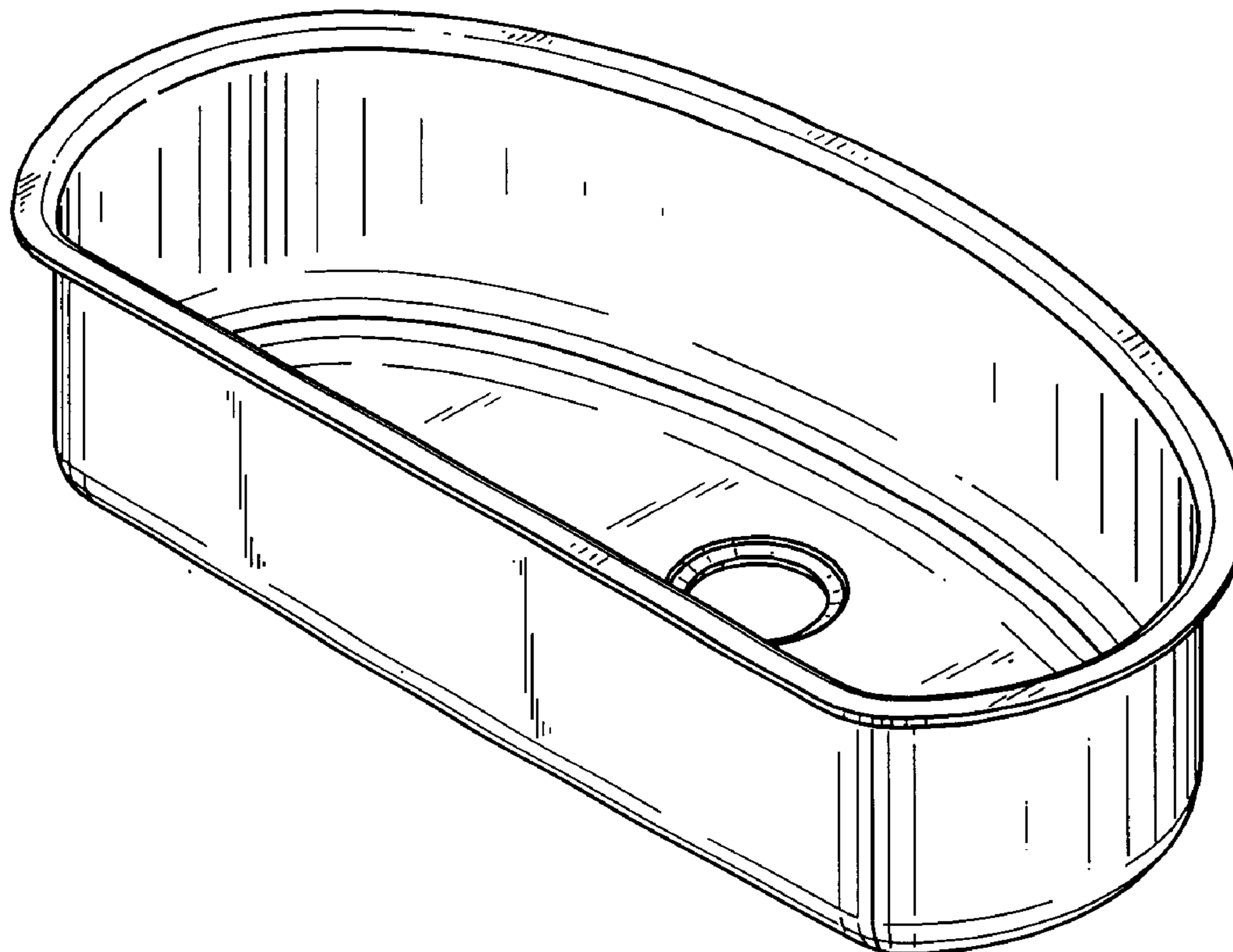
FIG. 3 is a front elevational view thereof;

FIG. 4 is a right side elevational view thereof, the left side
elevational view thereof being a mirror image of the right
side shown;

FIG. 5 is a rear elevational view thereof; and,

FIG. 6 is a bottom plan view thereof.

1 Claim, 3 Drawing Sheets



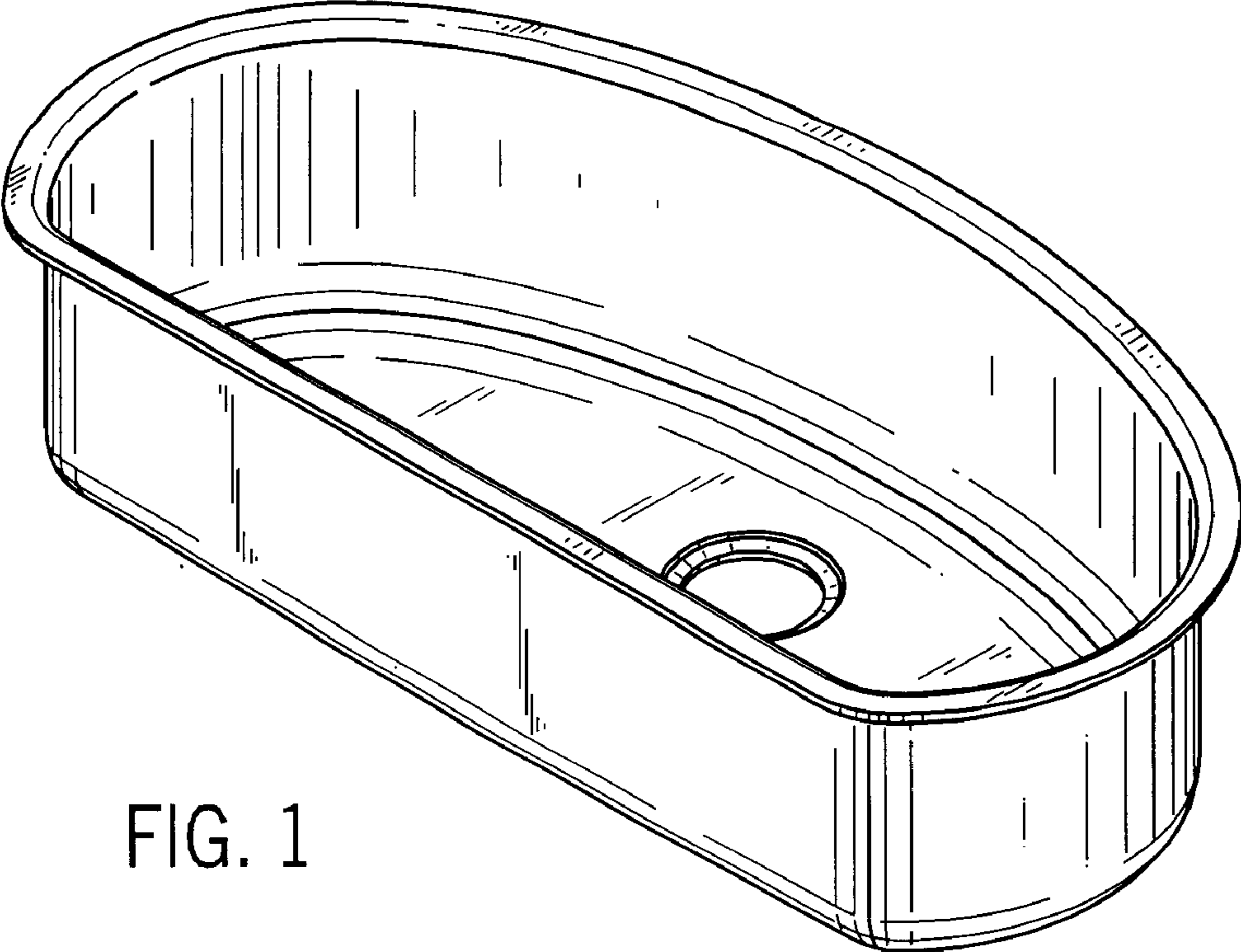


FIG. 1

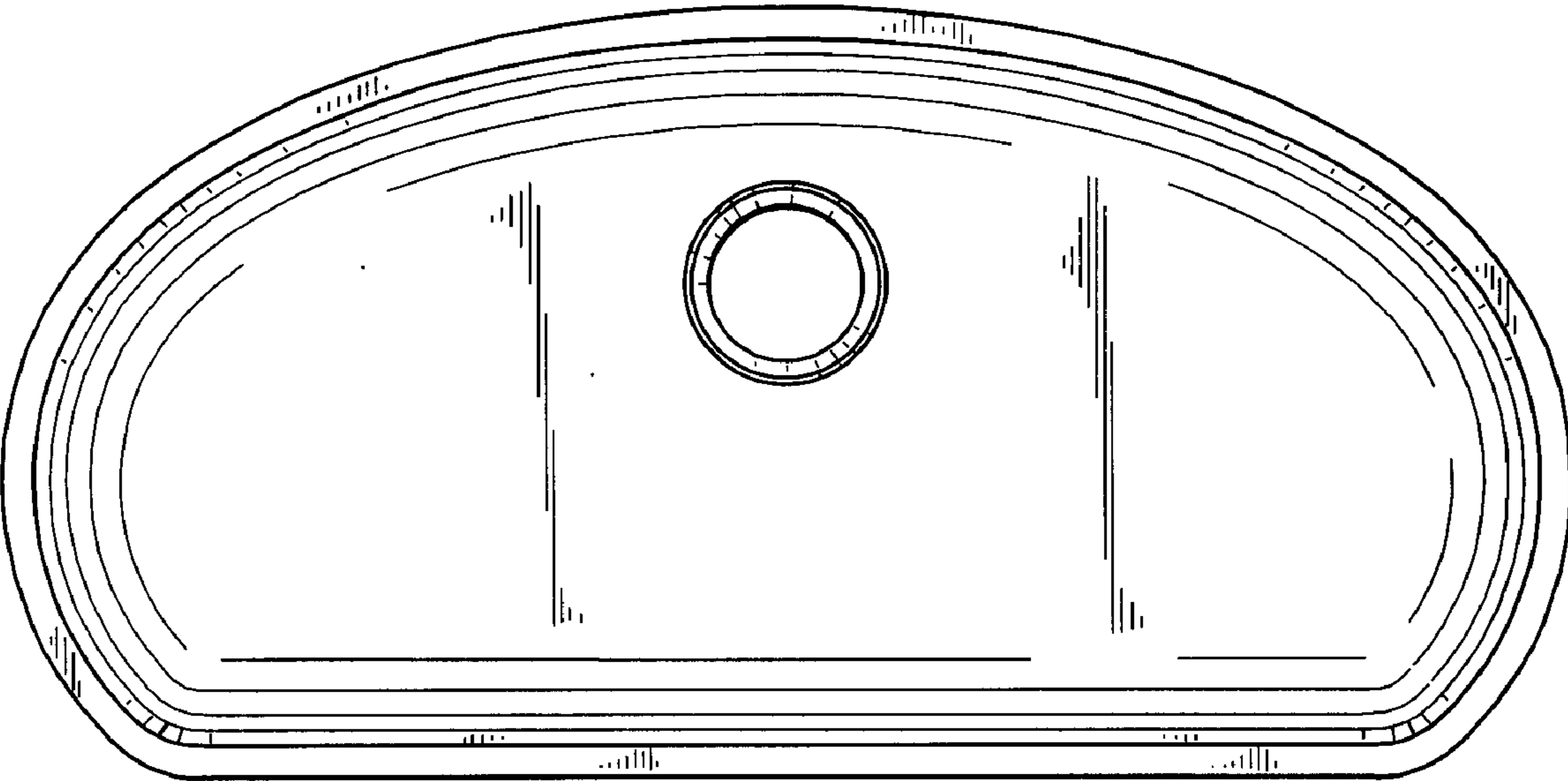


FIG. 2

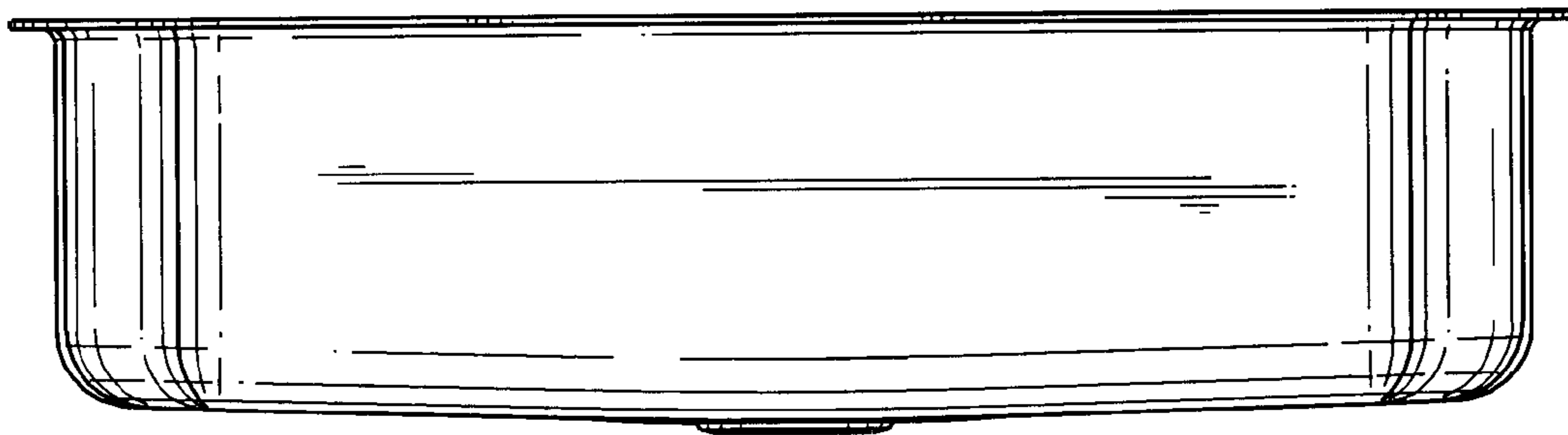


FIG. 3



FIG. 4

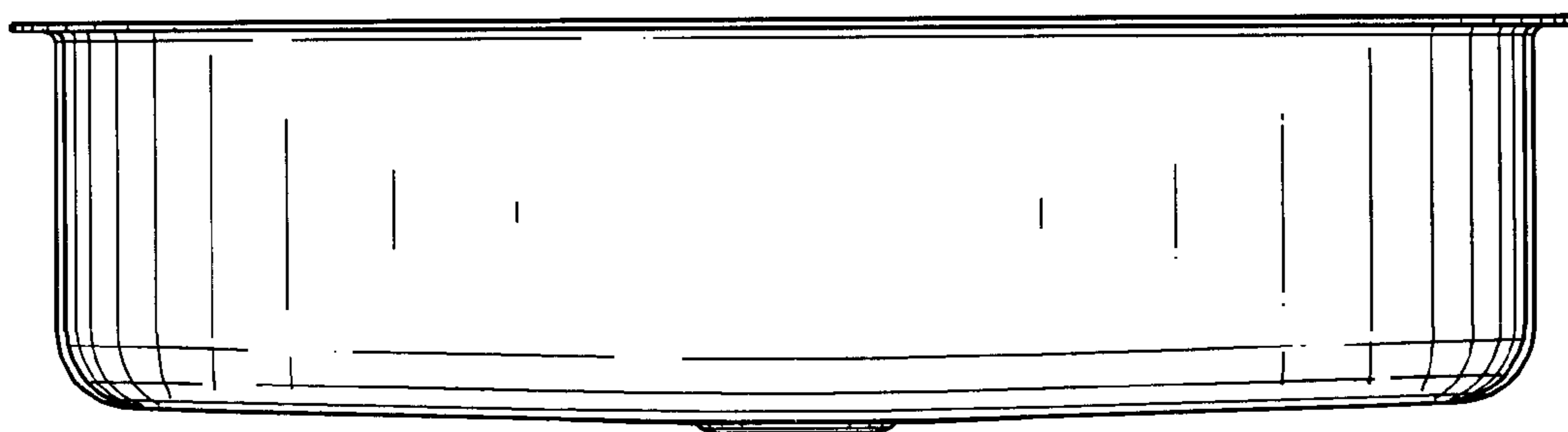


FIG. 5

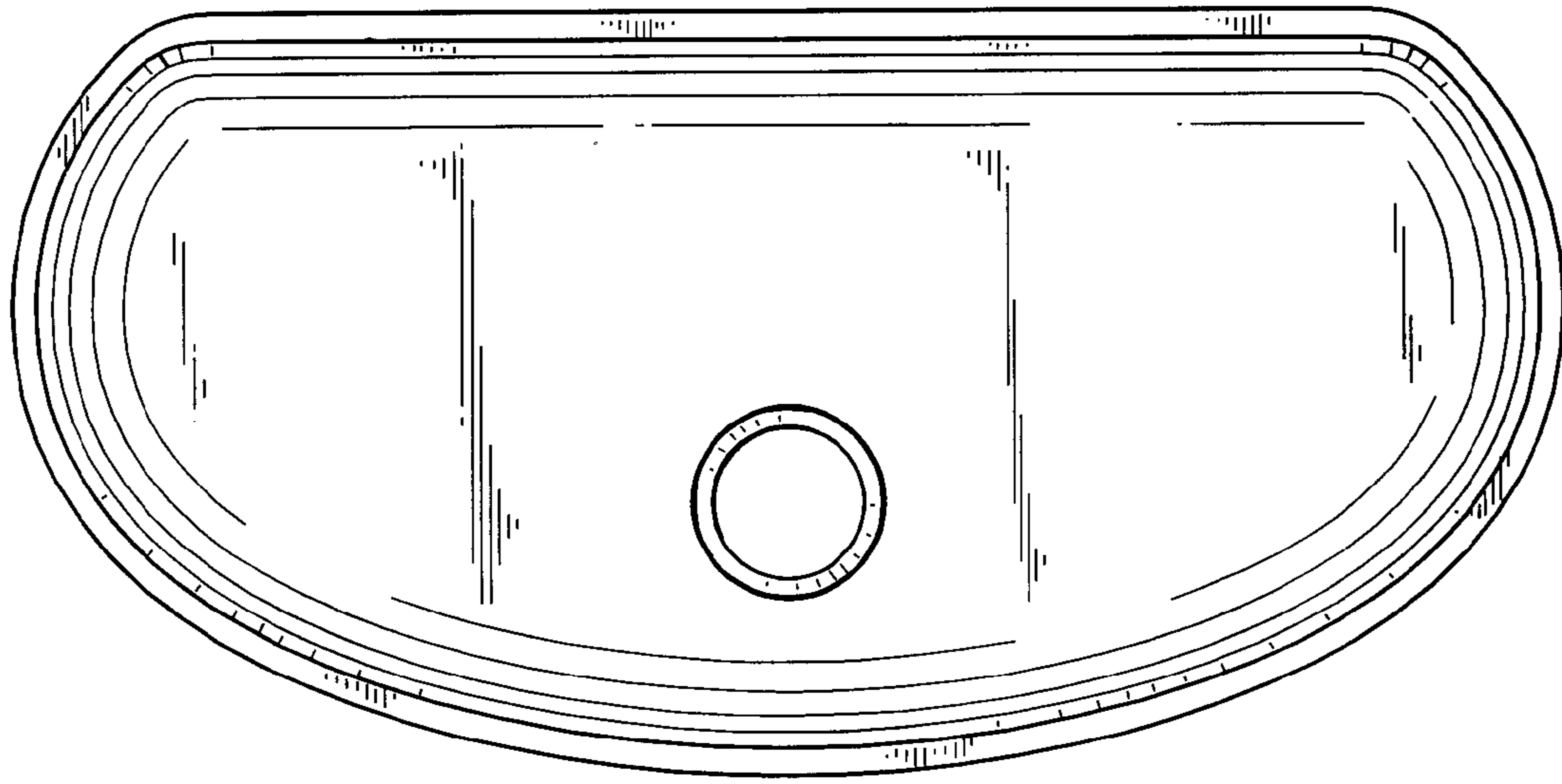


FIG. 6