



US00D529146S

(12) **United States Design Patent**
Wortmann et al.

(10) **Patent No.:** **US D529,146 S**
(45) **Date of Patent:** **** Sep. 26, 2006**

(54) **WEDGE SEAL WITH DISCONTINUOUS PERIMETER**

(75) Inventors: **Steven A. Wortmann**, Easton, PA (US);
Richard R. Weston, Nazareth, PA (US); **Philip W. Bancroft**, Belvidere, NJ (US)

(73) Assignee: **Victaulic Company**, Easton, PA (US)

(**) Term: **14 Years**

(21) Appl. No.: **29/228,169**

(22) Filed: **Apr. 20, 2005**

(51) **LOC (8) Cl.** **23-01**

(52) **U.S. Cl.** **D23/269**

(58) **Field of Classification Search** D23/269;
285/231-2, 95; 277/910

See application file for complete search history.

(56) **References Cited**

U.S. PATENT DOCUMENTS

3,304,050	A	2/1967	Fawkes	251/306
3,409,269	A	11/1968	Fawkes	251/175
3,540,696	A	11/1970	Fawkes	251/306
3,544,066	A	12/1970	Fawkes	251/306
3,726,503	A	4/1973	Fawkes	251/173
3,799,501	A	3/1974	Hartman	251/306
4,304,392	A	12/1981	Maciulaitis	251/173
4,385,747	A	5/1983	Renaud, Jr. et al.	251/315
4,623,122	A	11/1986	Gambetta	251/328
D356,456	S *	3/1995	Henry	D6/455
5,560,587	A	10/1996	McCutcheon et al.	251/327
D391,628	S *	3/1998	Carwile	D23/269
5,897,119	A	4/1999	McMillen	277/562
D437,034	S *	1/2001	Stout, Jr.	D23/269
6,202,983	B1	3/2001	Hartman et al.	251/306
6,206,376	B1	3/2001	Hartman et al.	277/314
D447,223	S *	8/2001	Mattsson et al.	D23/269
D498,826	S *	11/2004	Takahiro et al.	D23/269
2005/0029483	A1	2/2005	Bancroft et al.	251/306

OTHER PUBLICATIONS

U.S. Design Patent Application entitled Wedge Seal With Extended Perimeter (Wortmann et al) ; filed Apr. 20, 2005, U.S. Appl. No. 29/228,170.

U.S. Design Patent Application entitled Wedge Seal With Grooved Perimeter (Wortmann et al) ; filed Apr. 20, 2005, U.S. Appl. No. 29/228,139.

U.S. Design Patent Application entitled Wedge Seal With Angled Perimeter (Wortmann et al) ; filed Apr. 20, 2005, U.S. Appl. No. 29/228,153.

* cited by examiner

Primary Examiner—Robin Webster

(74) *Attorney, Agent, or Firm*—Synnestvedt & Lechner LLP

(57) **CLAIM**

The ornamental design for a wedge seal with discontinuous perimeter, as shown and described.

DESCRIPTION

FIG. 1 is a perspective view of a first embodiment of our design for a ring seal;

FIG. 2 is a front view of the design for the ring seal shown in FIG. 1;

FIG. 3 is a rear view of the design for the ring seal shown in FIG. 1;

FIG. 4 is a left side view of the design for the ring seal shown in FIG. 1, the right side view being identical thereto;

FIG. 5 is a top view of the design for the ring seal shown in FIG. 1, the bottom view being identical thereto;

FIG. 6 is a perspective view of a second embodiment of our design for a ring seal;

FIG. 7 is a front view of the design for the ring seal shown in FIG. 6;

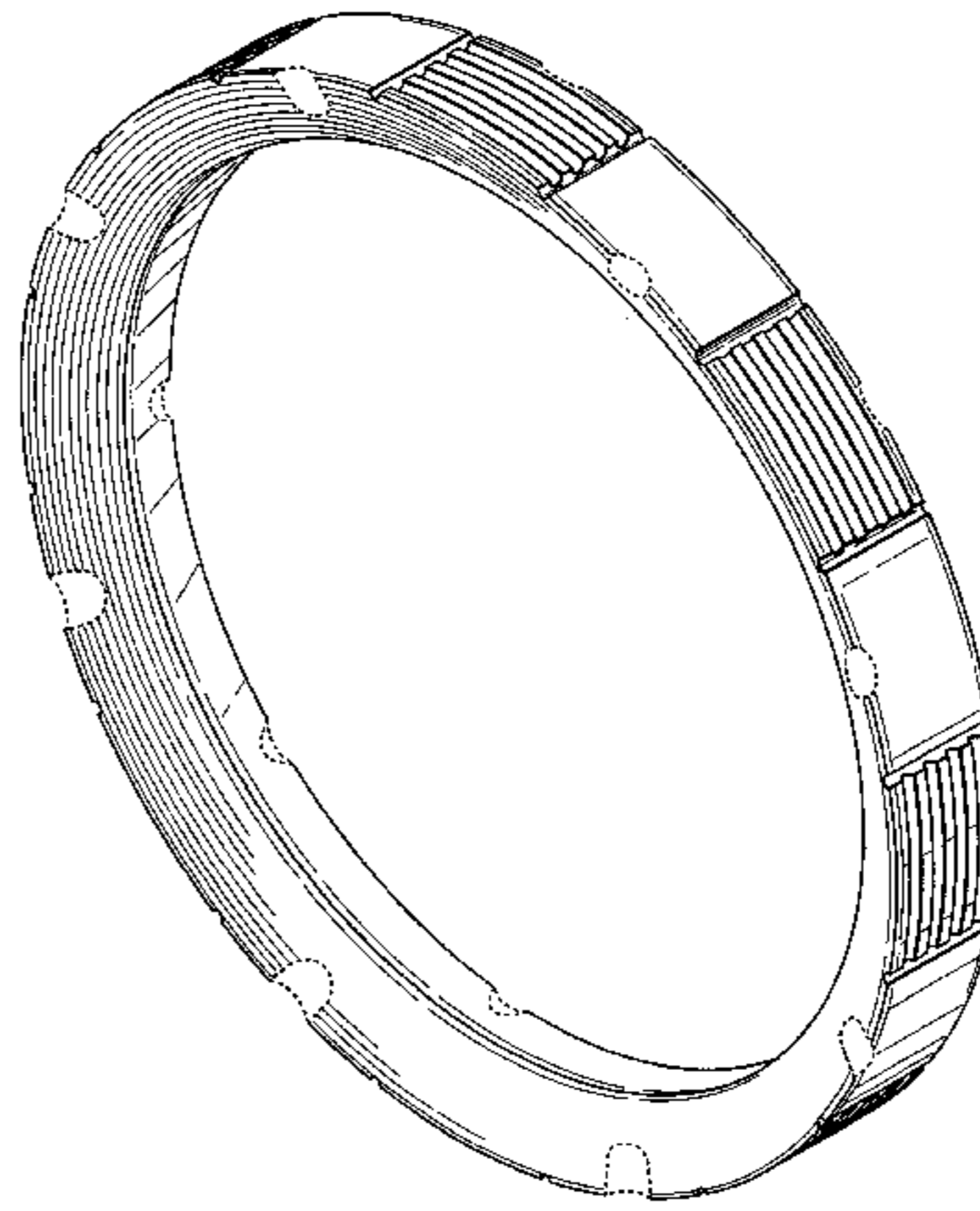
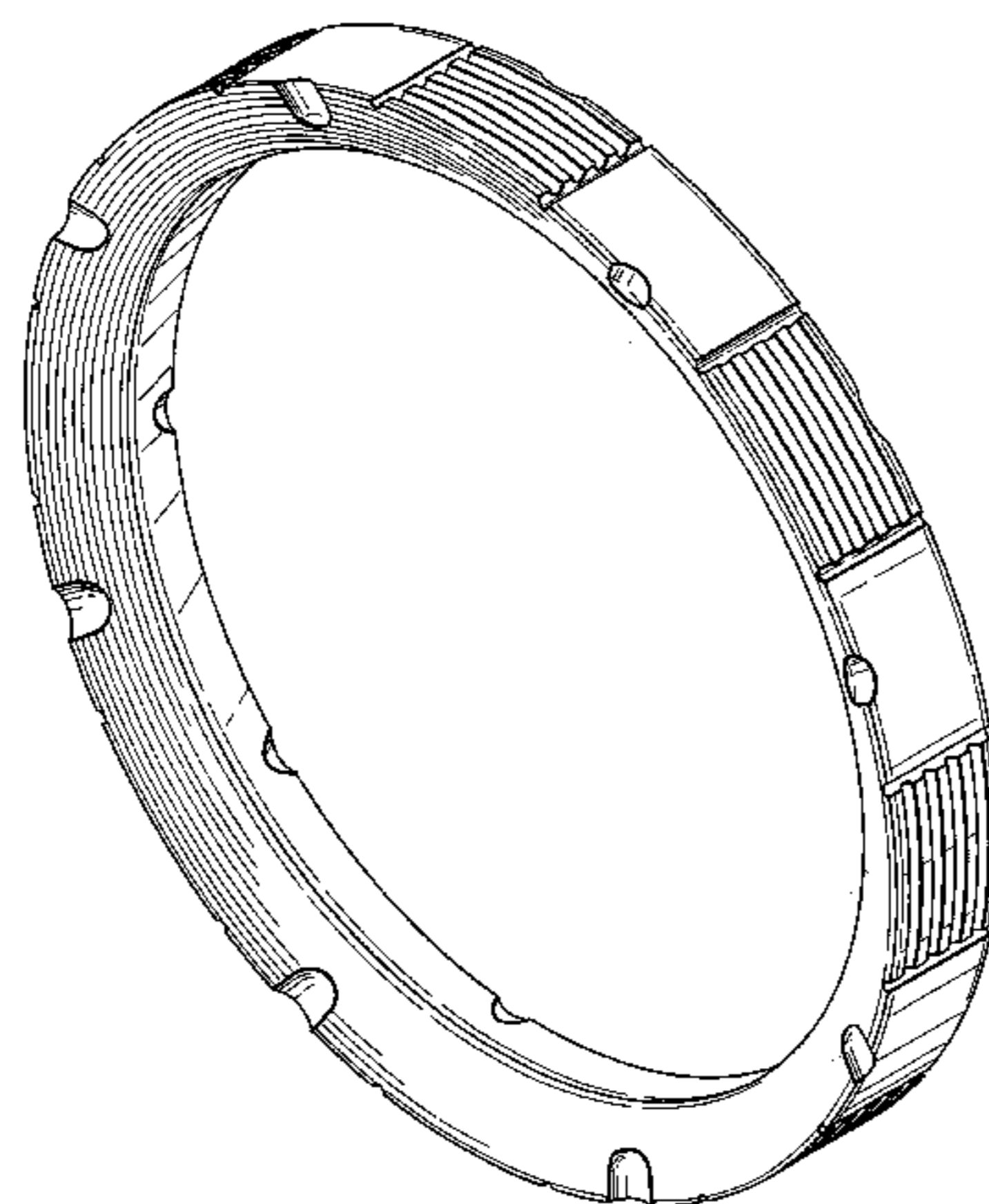
FIG. 8 is a rear view of the design for the ring seal shown in FIG. 6;

FIG. 9 is a left side view of the design for the ring seal shown in FIG. 6, the right side view being identical thereto; and,

FIG. 10 is a top view of the design for the ring seal shown in FIG. 6, the bottom view being identical thereto.

The broken lines shown in FIGS. 6-10 are for illustrative purposes only and form no part of the claimed design.

1 Claim, 8 Drawing Sheets



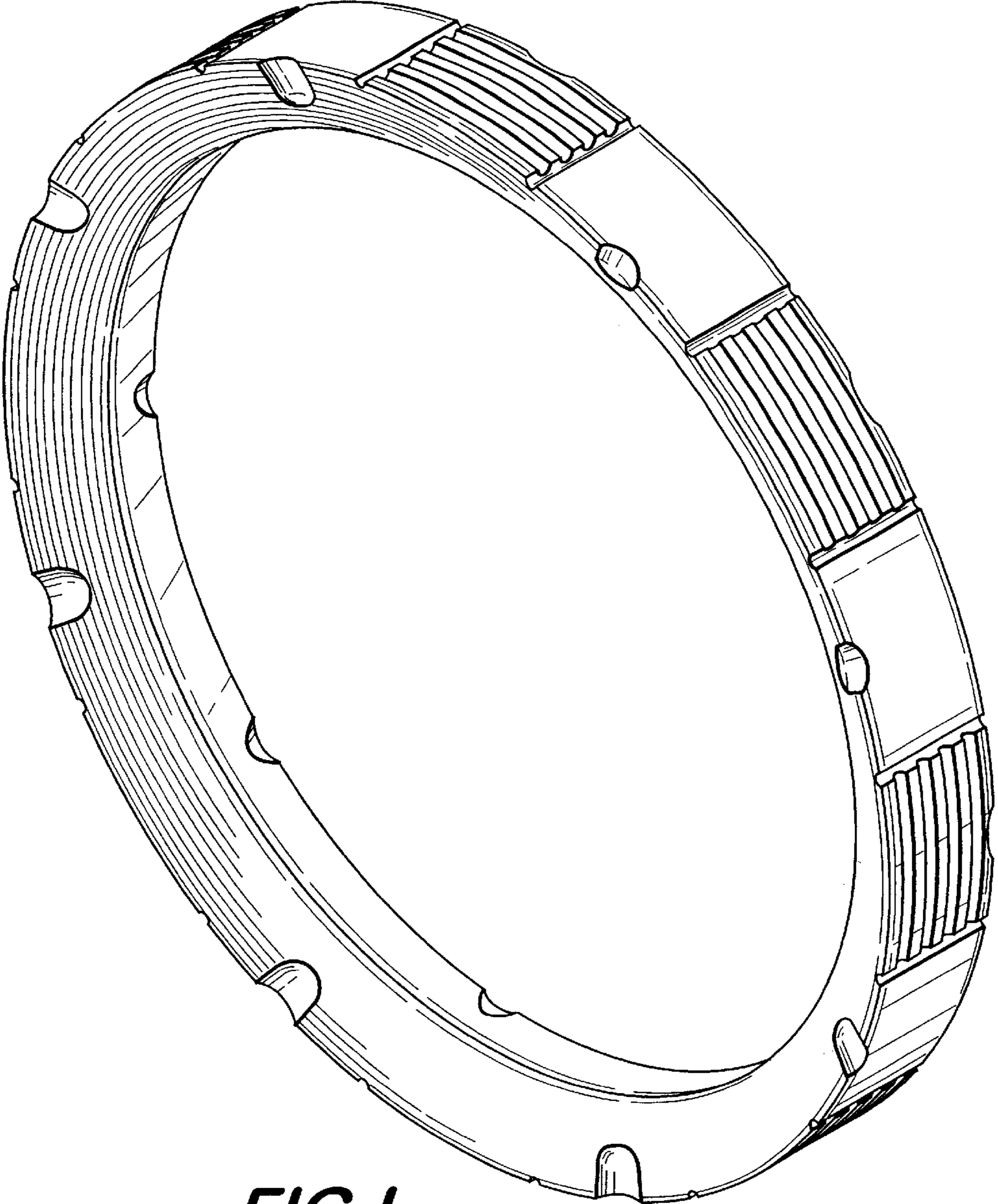


FIG. 1

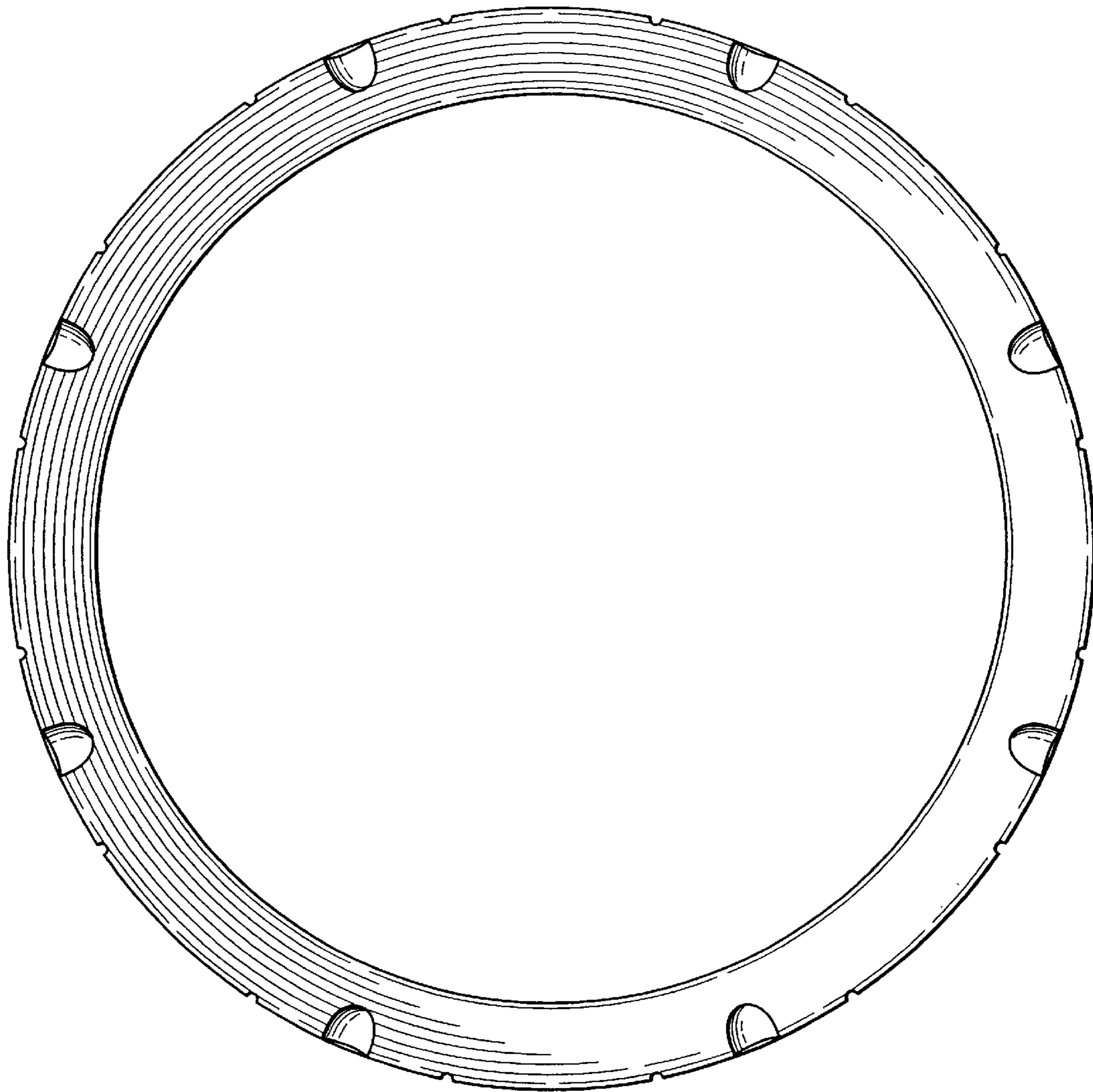


FIG. 2

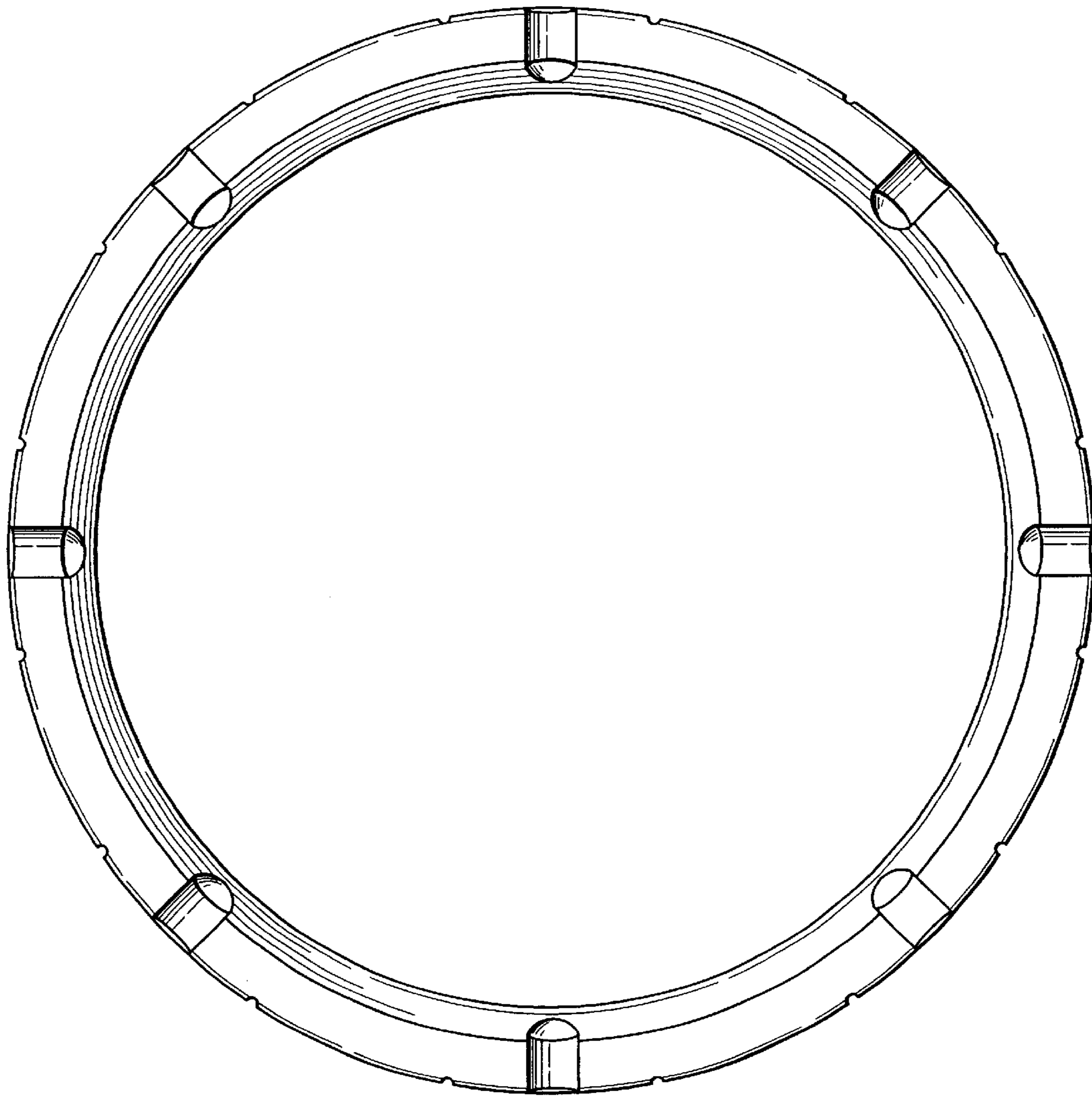


FIG.3



FIG. 4

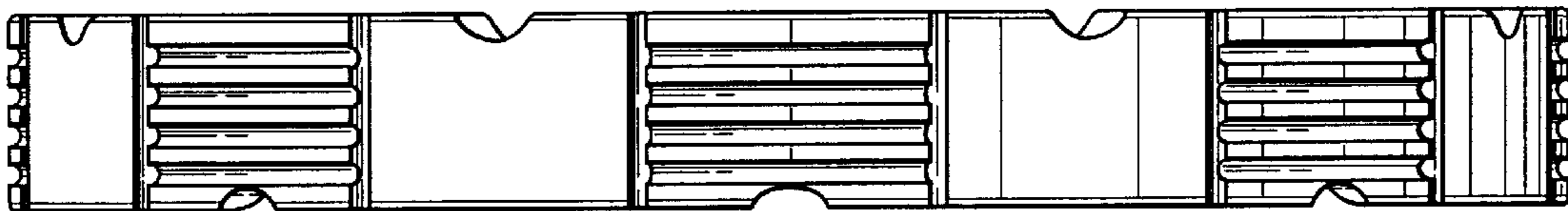


FIG. 5

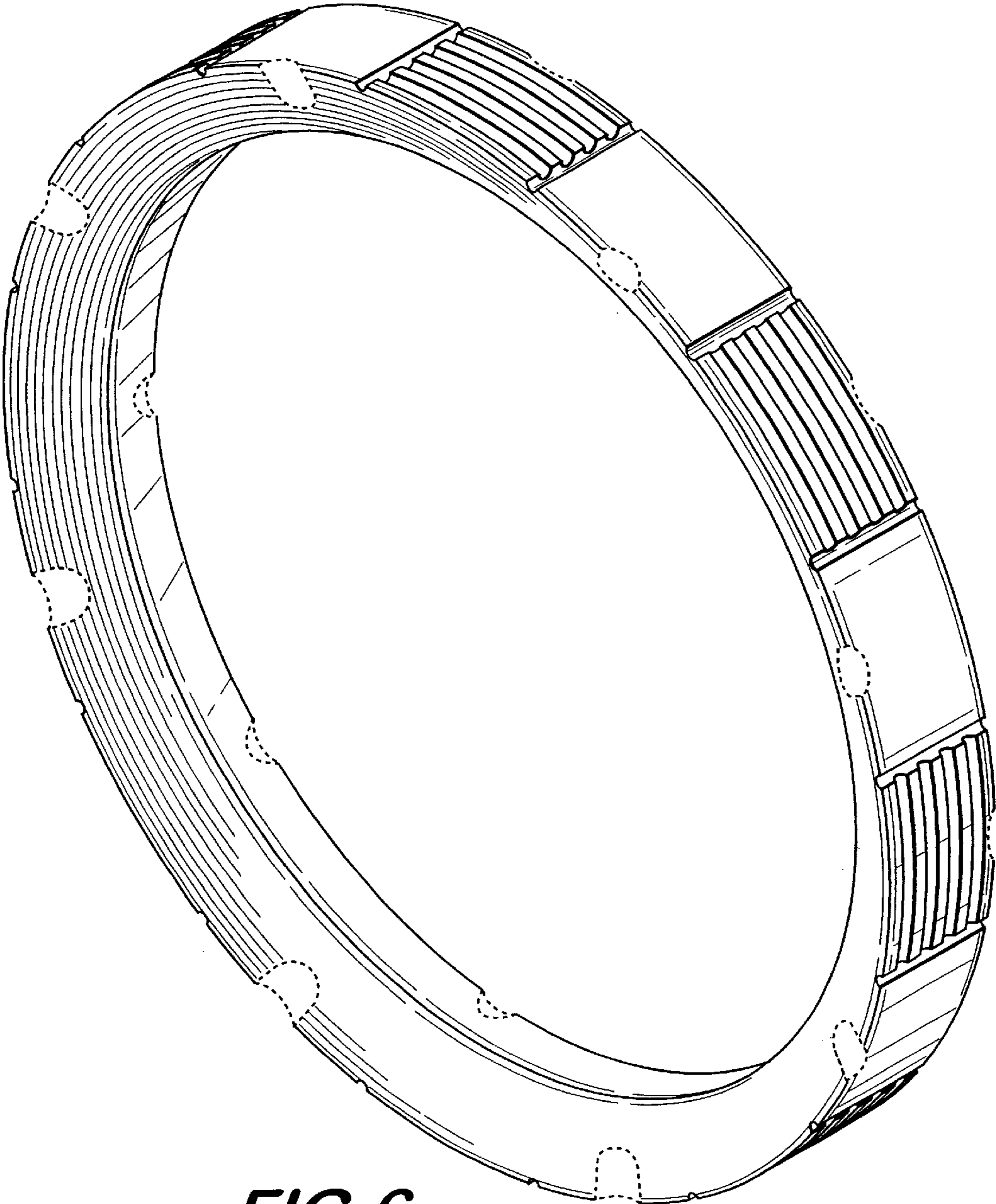


FIG. 6

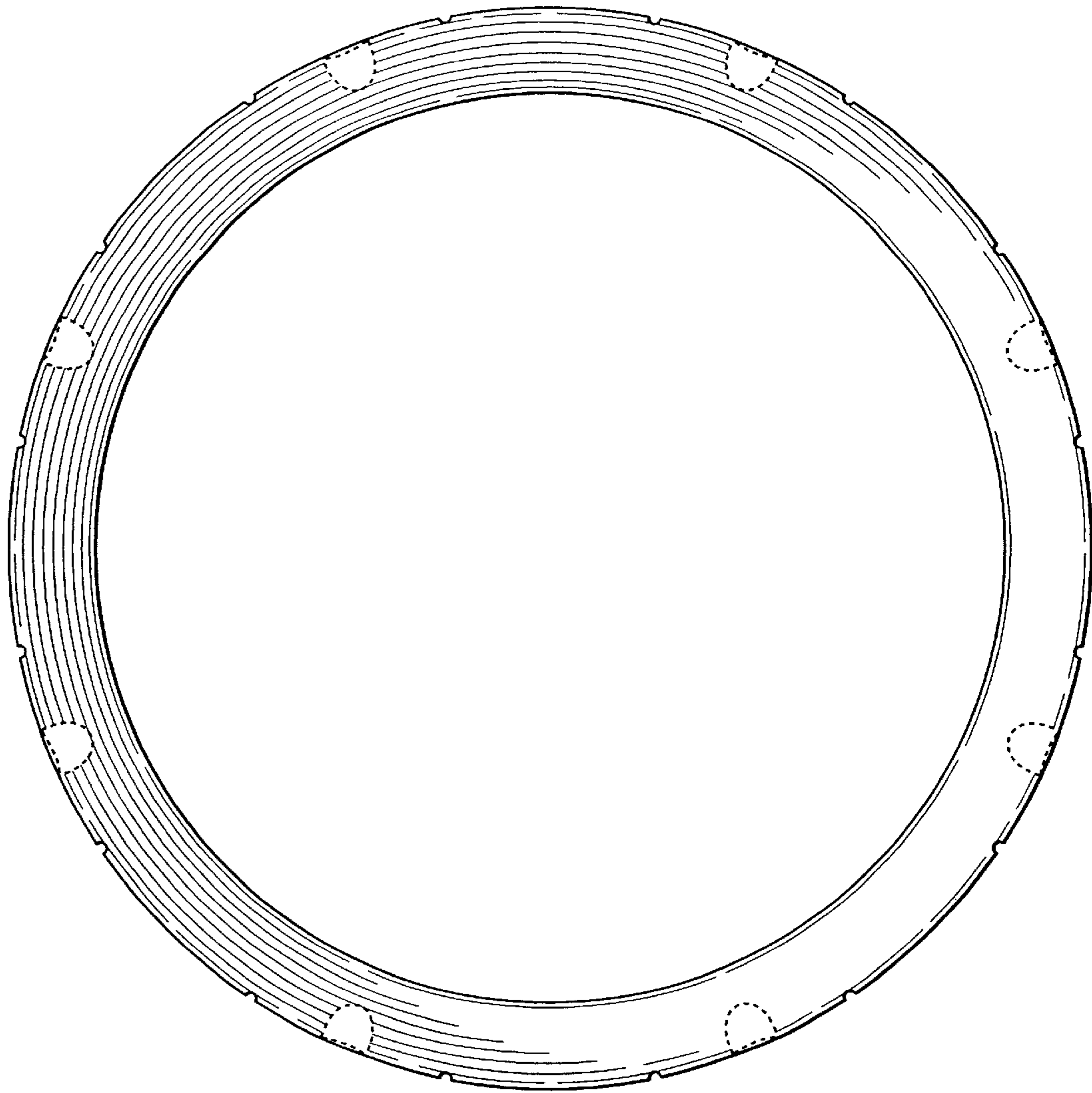


FIG. 7

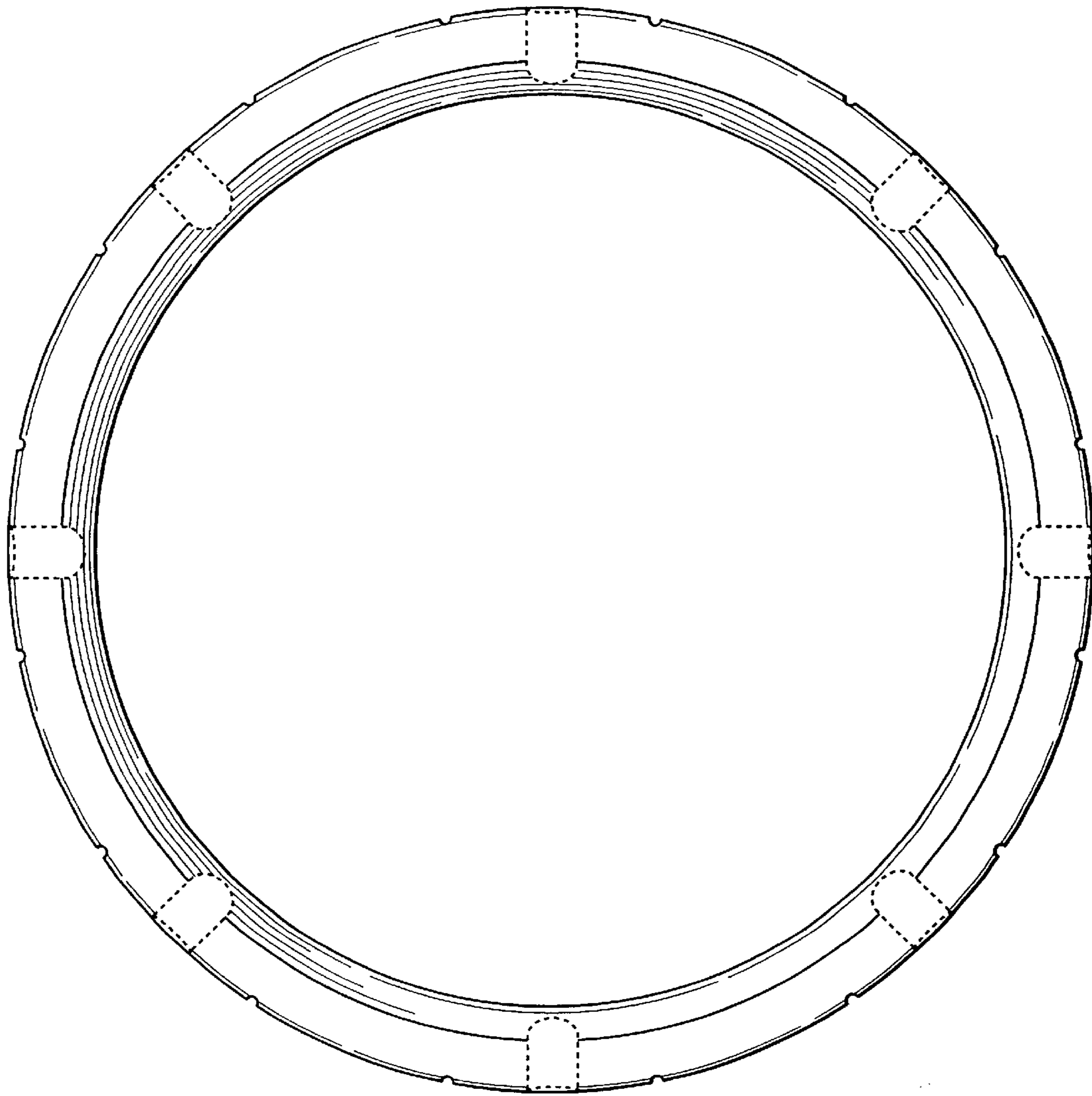


FIG. 8



FIG. 9

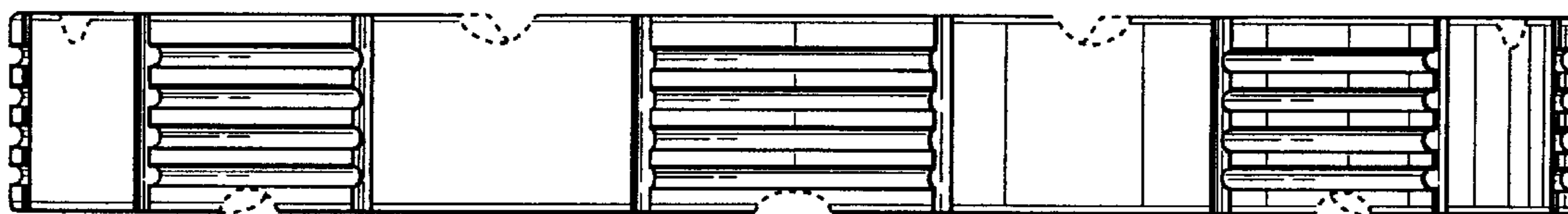


FIG. 10