



US00D529142S

(12) **United States Design Patent**
Shieh

(10) **Patent No.:** **US D529,142 S**

(45) **Date of Patent:** **** Sep. 26, 2006**

(54) **FAUCET DEVICE**

D496,434 S * 9/2004 Spangler D23/252

(76) Inventor: **Ming Chun Shieh**, 58, Ma Yuan West St., Taichung (TW)

* cited by examiner

(**) Term: **14 Years**

Primary Examiner—Louis S. Zarfes

Assistant Examiner—Gregory Andoll

(74) *Attorney, Agent, or Firm*—Alan D. Kamrath; Nikolai & Mersereau, P.A.

(21) Appl. No.: **29/232,962**

(22) Filed: **Jun. 27, 2005**

(57) **CLAIM**

(51) **LOC (8) Cl.** **23-01**

The ornamental design for a faucet device, as shown and described.

(52) **U.S. Cl.** **D23/252**

(58) **Field of Classification Search** D23/238–257;
D8/250–257, 300–322, DIG. 3; 16/110.1;
4/675–678; 137/801

DESCRIPTION

See application file for complete search history.

FIG. 1 is a perspective view of a faucet device showing my design;

FIG. 2 is a front elevational view thereof;

FIG. 3 is a rear elevational view thereof;

FIG. 4 is a left side elevational view thereof;

FIG. 5 is a right side elevational view thereof;

FIG. 6 is a top plan view thereof; and,

FIG. 7 is a bottom plan view thereof.

(56) **References Cited**

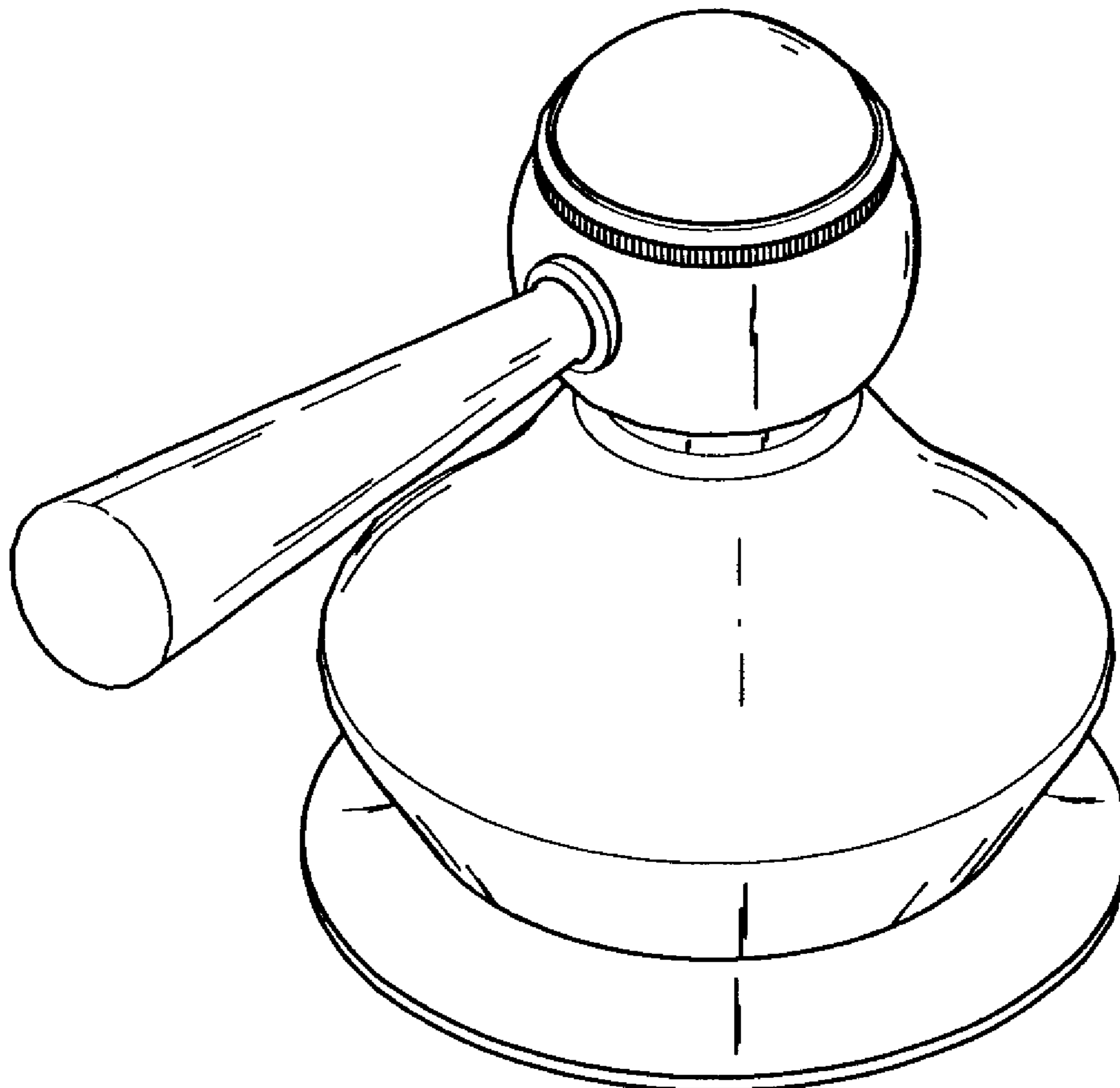
U.S. PATENT DOCUMENTS

D372,300 S * 7/1996 Fabian D23/252

D479,311 S * 9/2003 Veltz D23/252

D490,501 S * 5/2004 Ouyoung D23/252

1 Claim, 4 Drawing Sheets



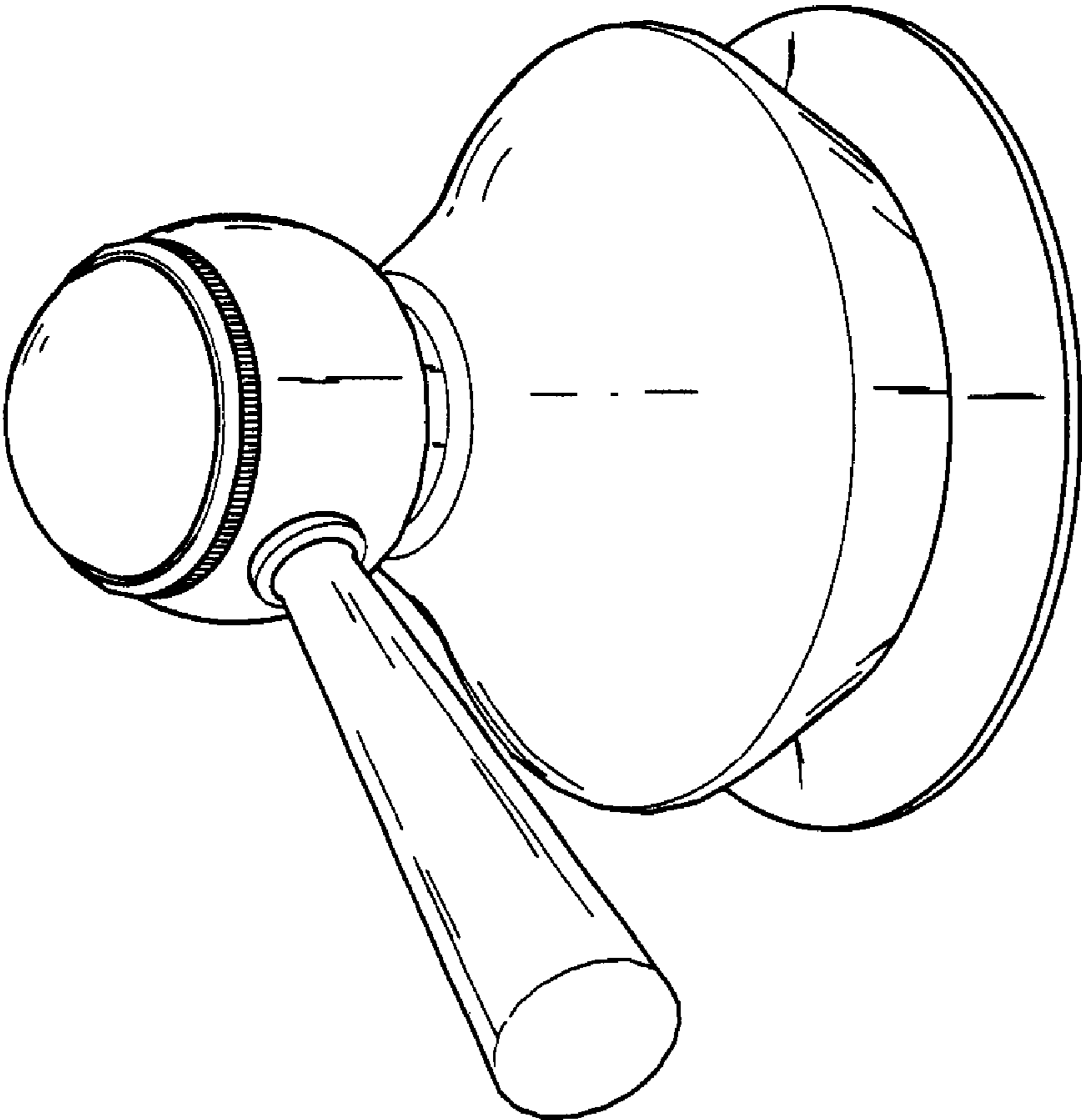


FIG. 1

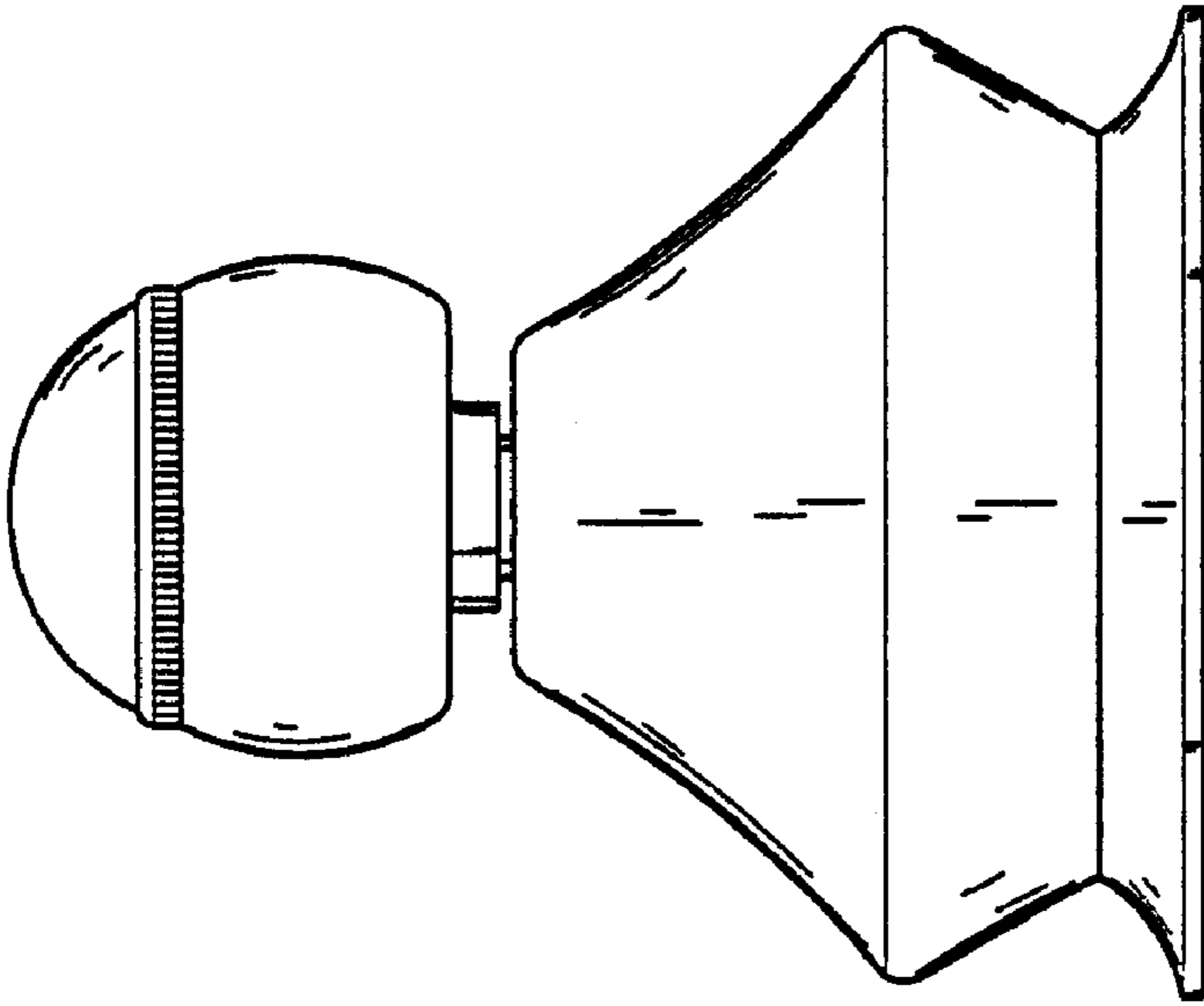


FIG. 3

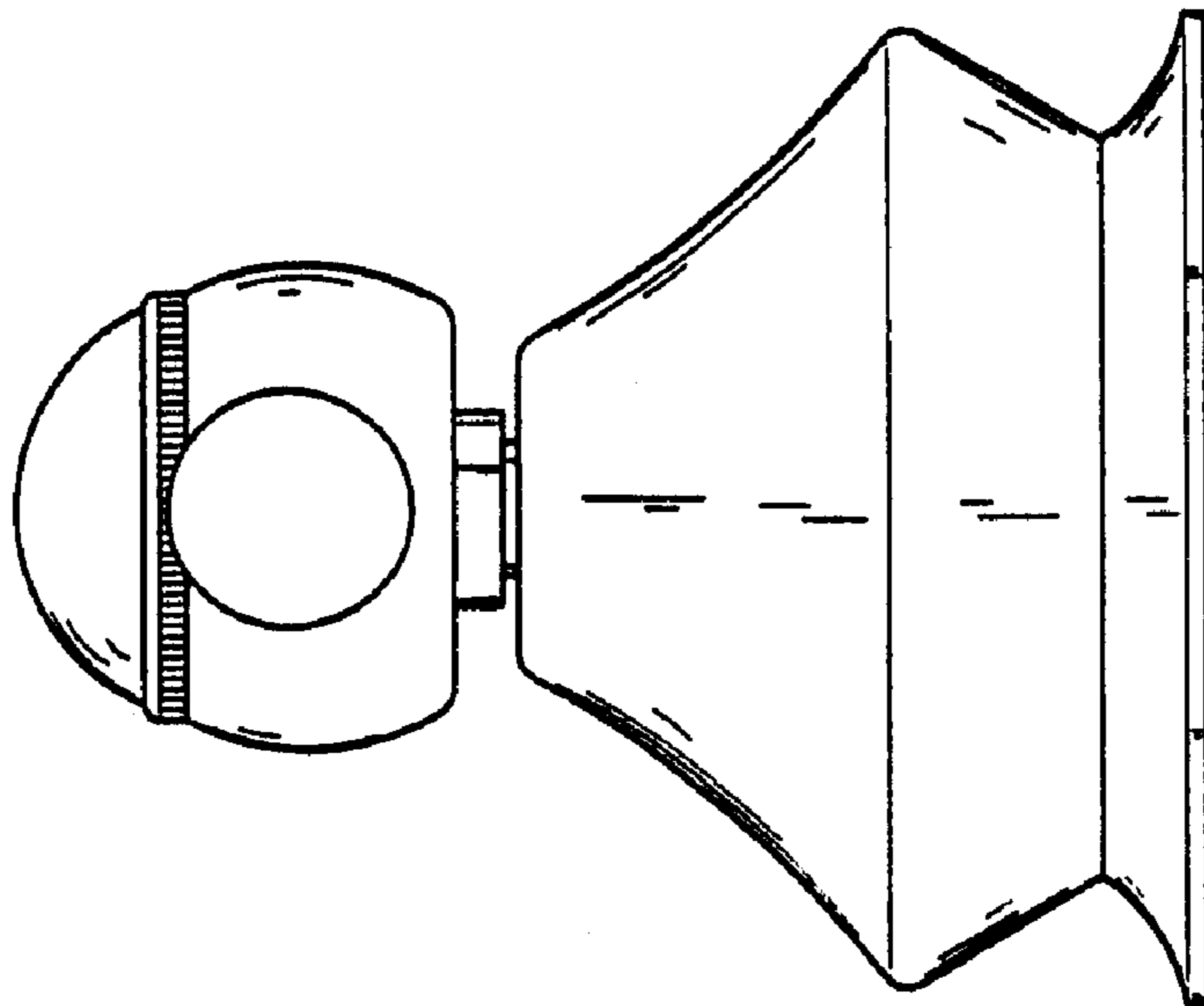


FIG. 2

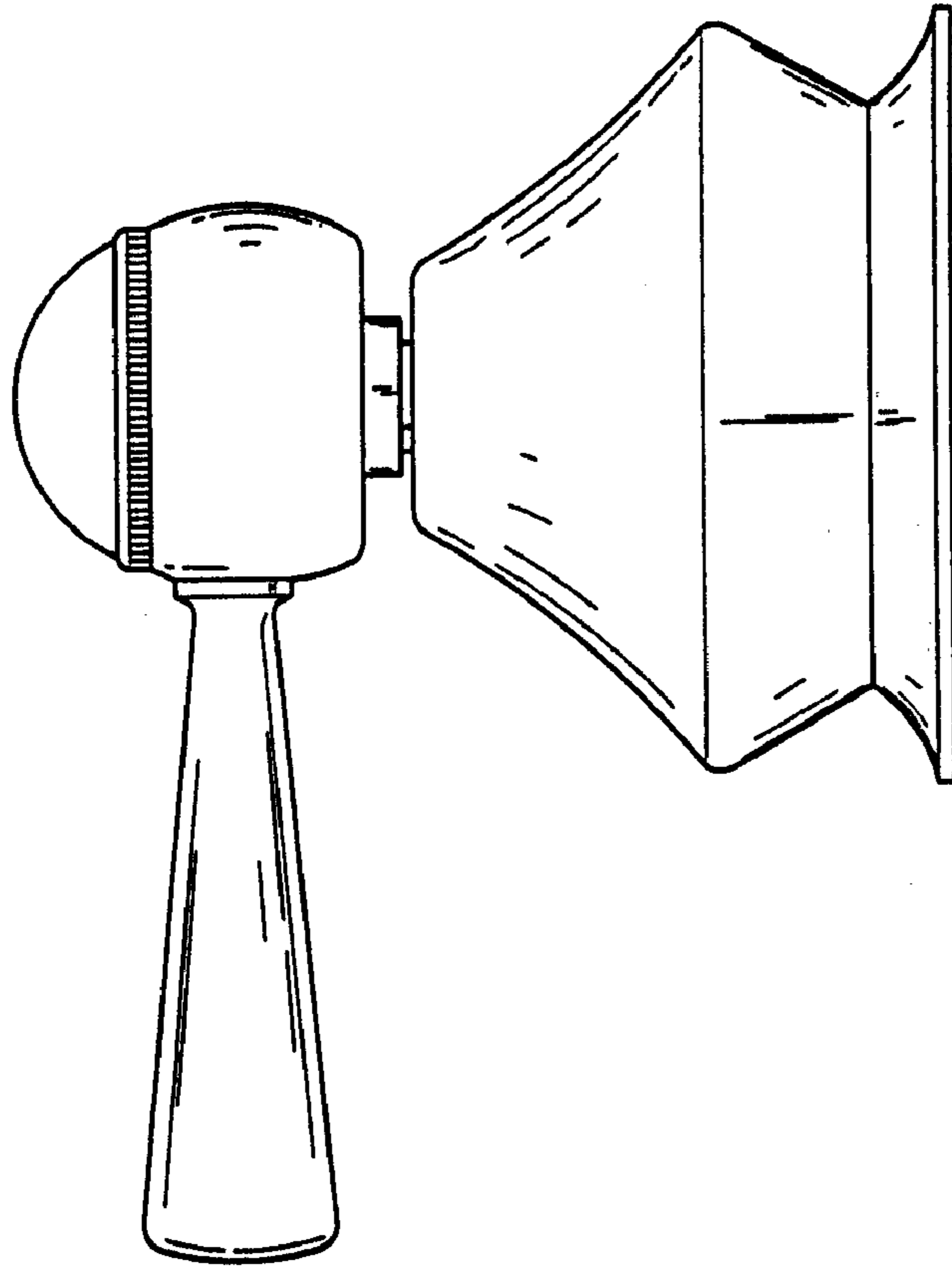


FIG. 4

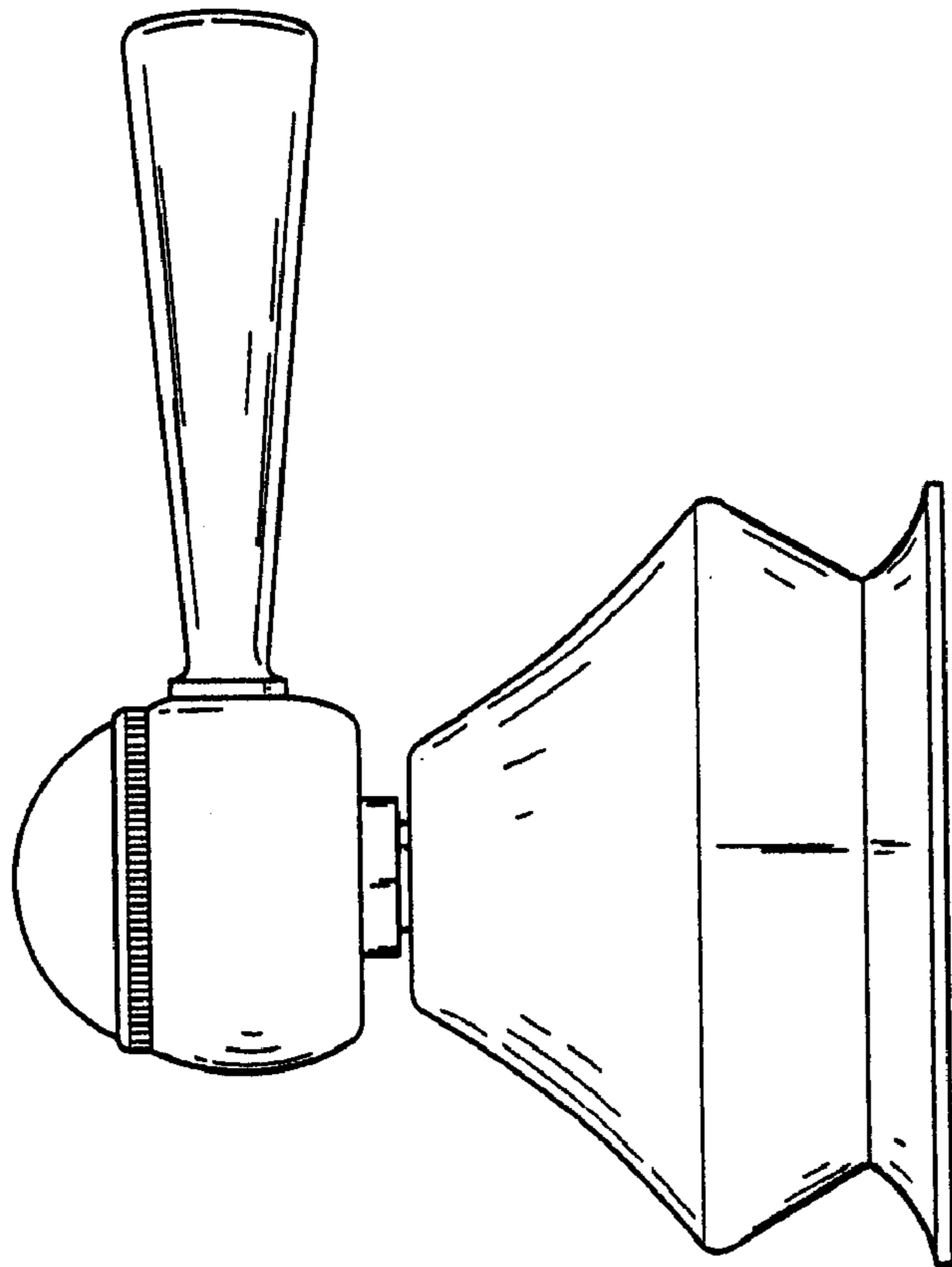


FIG. 5

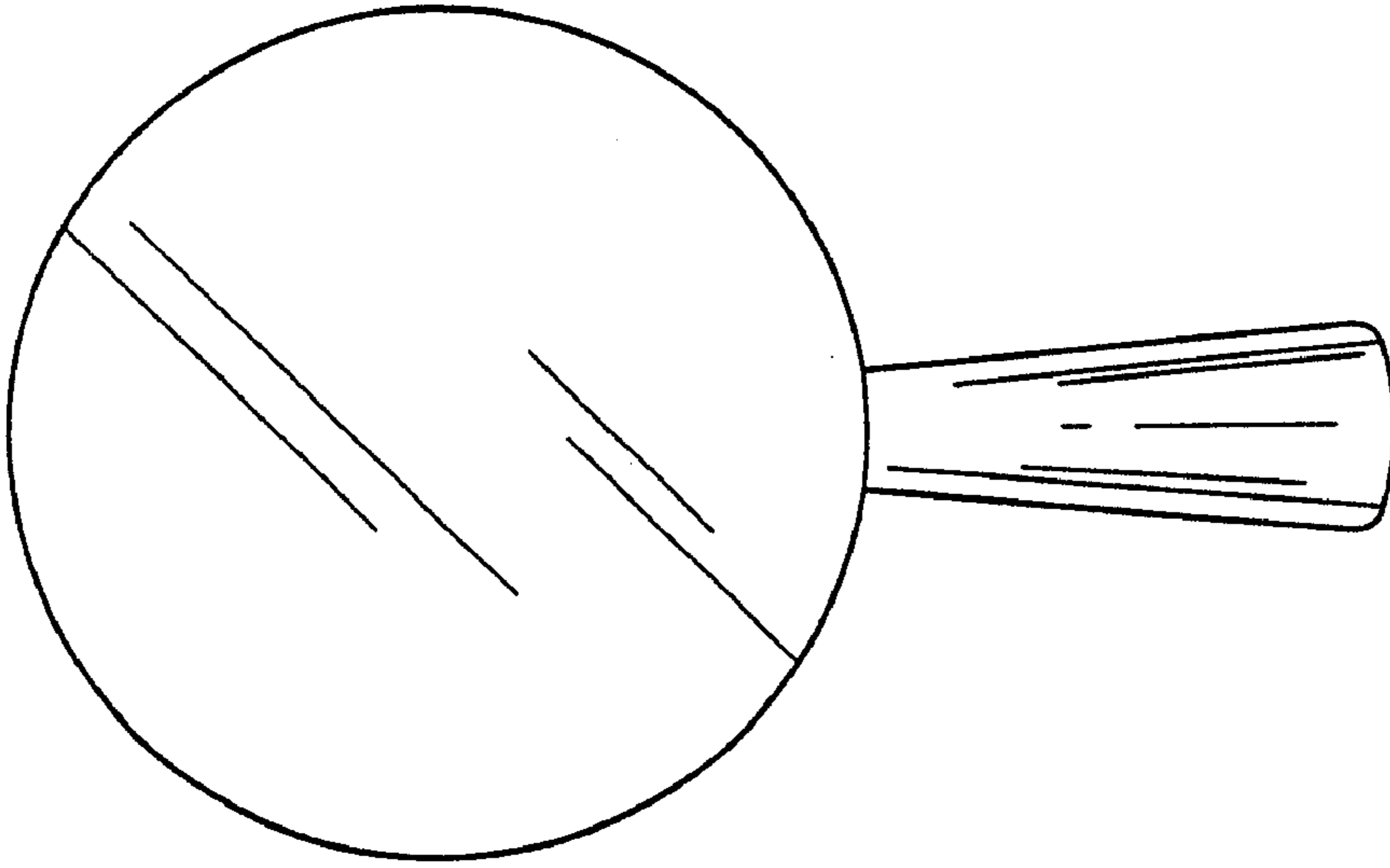


FIG. 7

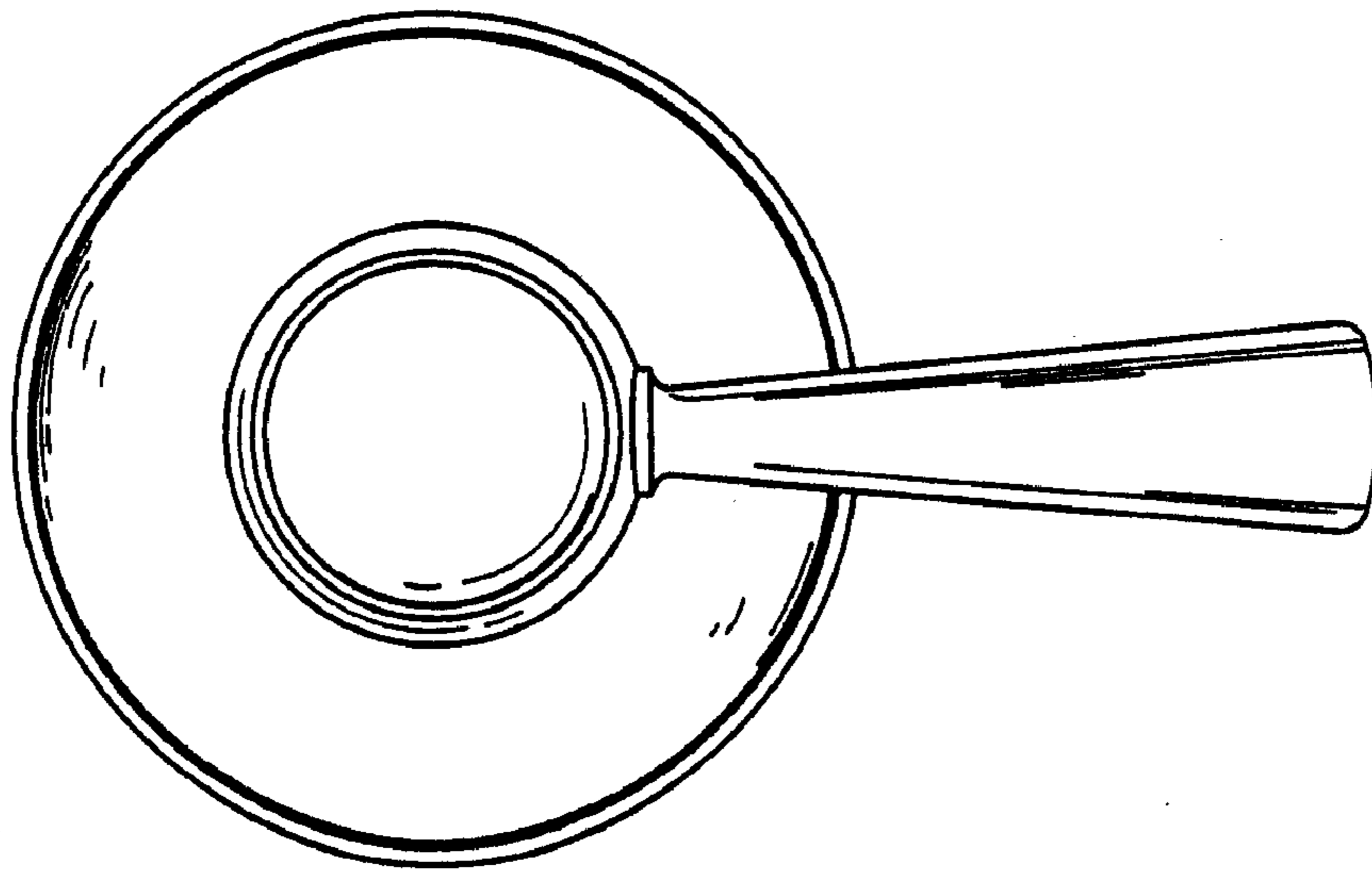


FIG. 6