

US00D529141S

(12) **United States Design Patent**
Green

(10) **Patent No.:** **US D529,141 S**

(45) **Date of Patent:** **** Sep. 26, 2006**

(54) **HANDLE**

(75) Inventor: **Eric Green**, St. Joseph, MI (US)

(73) Assignee: **Moen Incorporated**, North Olmsted, OH (US)

(**) Term: **14 Years**

(21) Appl. No.: **29/228,880**

(22) Filed: **Apr. 29, 2005**

(51) **LOC (8) Cl.** **23-01**

(52) **U.S. Cl.** **D23/252**

(58) **Field of Classification Search** D23/238-257;
D8/250-257, 300-322, DIG. 3; 16/110.1;
4/675-678; 137/801

See application file for complete search history.

(56) **References Cited**

U.S. PATENT DOCUMENTS

D76,827 S	11/1928	Smith	
D76,904 S	11/1928	Smith	
D163,236 S	5/1951	Young	
D280,009 S	8/1985	Miller et al.	
D325,772 S	* 4/1992	Carr D23/252
D337,014 S	7/1993	Wang	
D405,162 S	2/1999	Doughty et al.	
D405,509 S	2/1999	Doughty et al.	
D429,521 S	8/2000	Doughty et al.	
D455,195 S	4/2002	McKeone	
D458,347 S	* 6/2002	Mullenmeister D23/252
D460,158 S	* 7/2002	Green et al. D23/252
D460,807 S	7/2002	Singtoroj	
D461,536 S	8/2002	Singtoroj	
D464,405 S	* 10/2002	Lord D23/252
D466,986 S	12/2002	Singtoroj et al.	
D468,405 S	1/2003	McKeone	
D469,854 S	2/2003	Ouyoung	

D474,671 S	* 5/2003	Singtoroj et al. D8/301
D475,766 S	6/2003	Tolosa	
D475,767 S	* 6/2003	Yegyayan et al. D23/252
D476,064 S	6/2003	Smith	
D482,757 S	11/2003	Blomstrom	
D484,951 S	1/2004	Lin	
D487,924 S	3/2004	Lin	
D490,502 S	* 5/2004	Ouyoung D23/252
D495,402 S	* 8/2004	Spiegelberg et al. D23/252
D496,433 S	* 9/2004	Fritz D23/252
D496,436 S	9/2004	Ouyoung	
D507,331 S	* 7/2005	Lord et al. D23/252
D512,767 S	* 12/2005	Ouyoung D23/252
D515,182 S	* 2/2006	Ouyoung D23/252
D517,174 S	* 3/2006	Singtoroj D23/252

* cited by examiner

Primary Examiner—Louis S. Zarfaz

Assistant Examiner—Gregory Andoll

(74) *Attorney, Agent, or Firm*—Calfee, Halter & Griswold LLP

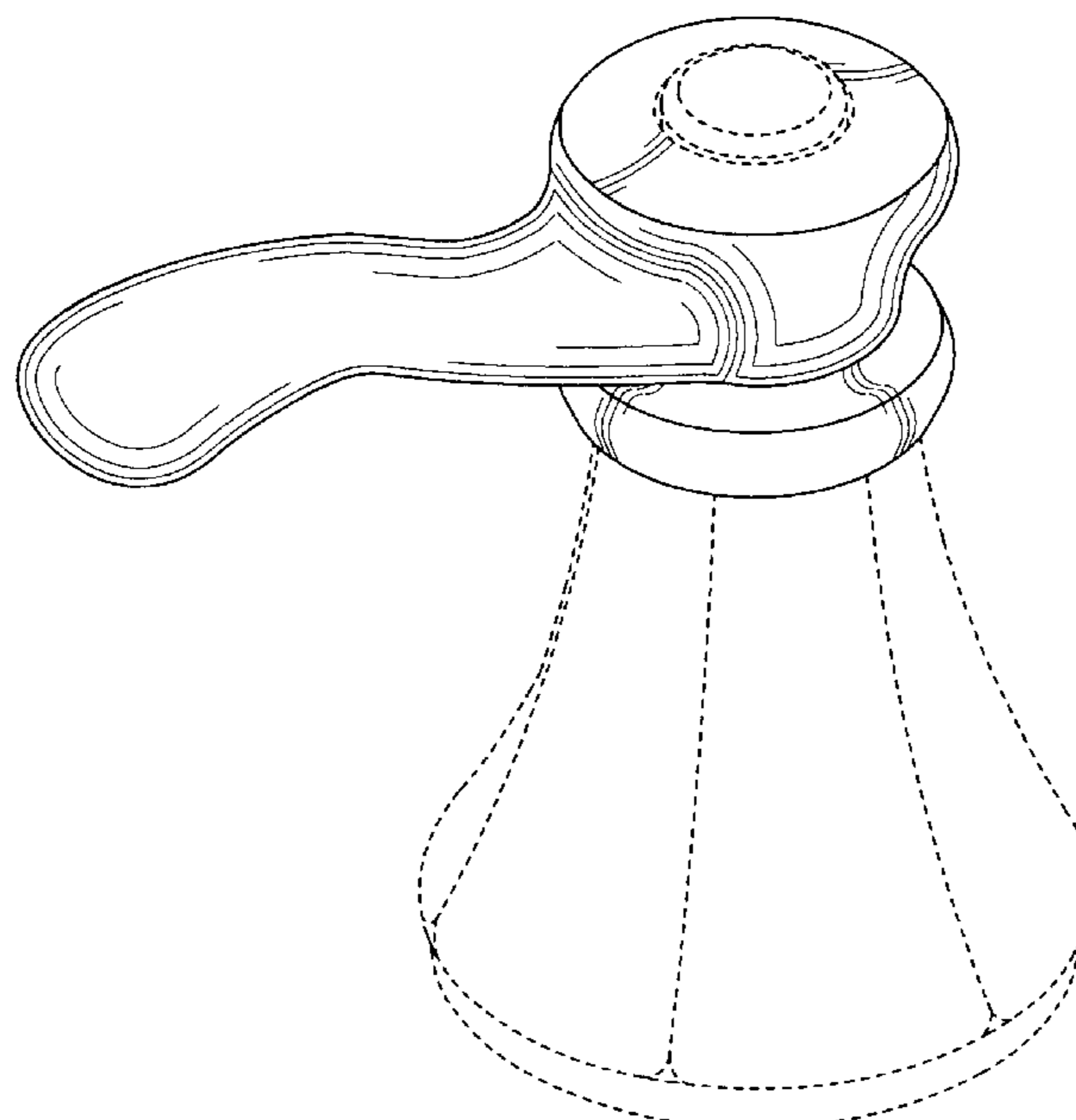
(57) **CLAIM**

The ornamental design for a handle, as shown and described.

DESCRIPTION

FIG. 1 is a perspective view of a handle of the new design; FIG. 2 is a front elevational view of the handle of FIG. 1; FIG. 3 is a rear elevational view of the handle of FIG. 1; FIG. 4 is a left side elevational view of the handle of FIG. 1; FIG. 5 is a right side elevational view of the handle of FIG. 1; FIG. 6 is a top plan view of the handle of FIG. 1; and, FIG. 7 is a bottom plan view of the handle of FIG. 1. The portions of the Figures shown in broken lines are not part of the claimed design and are for illustration only.

1 Claim, 3 Drawing Sheets



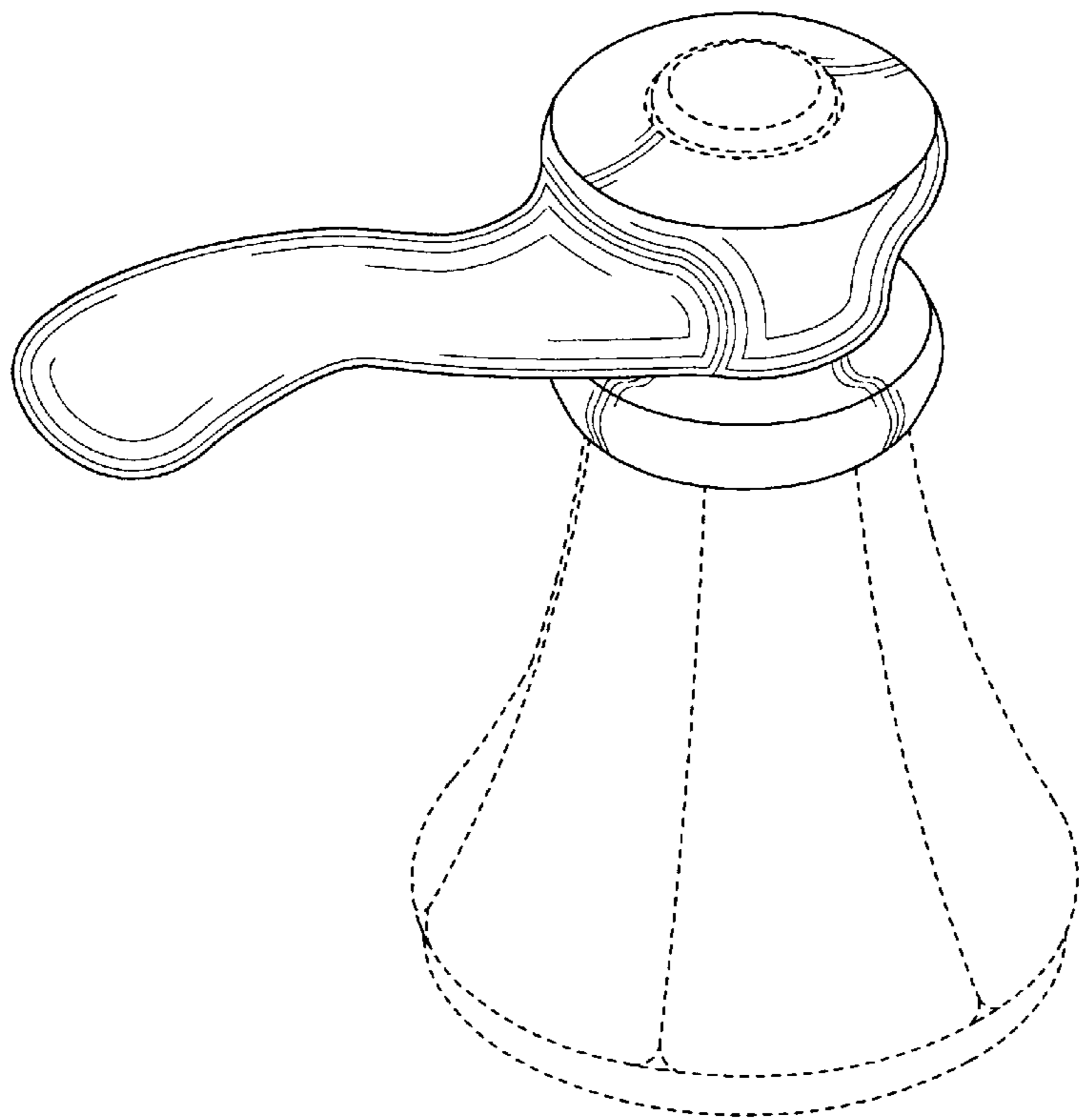


FIG. 1

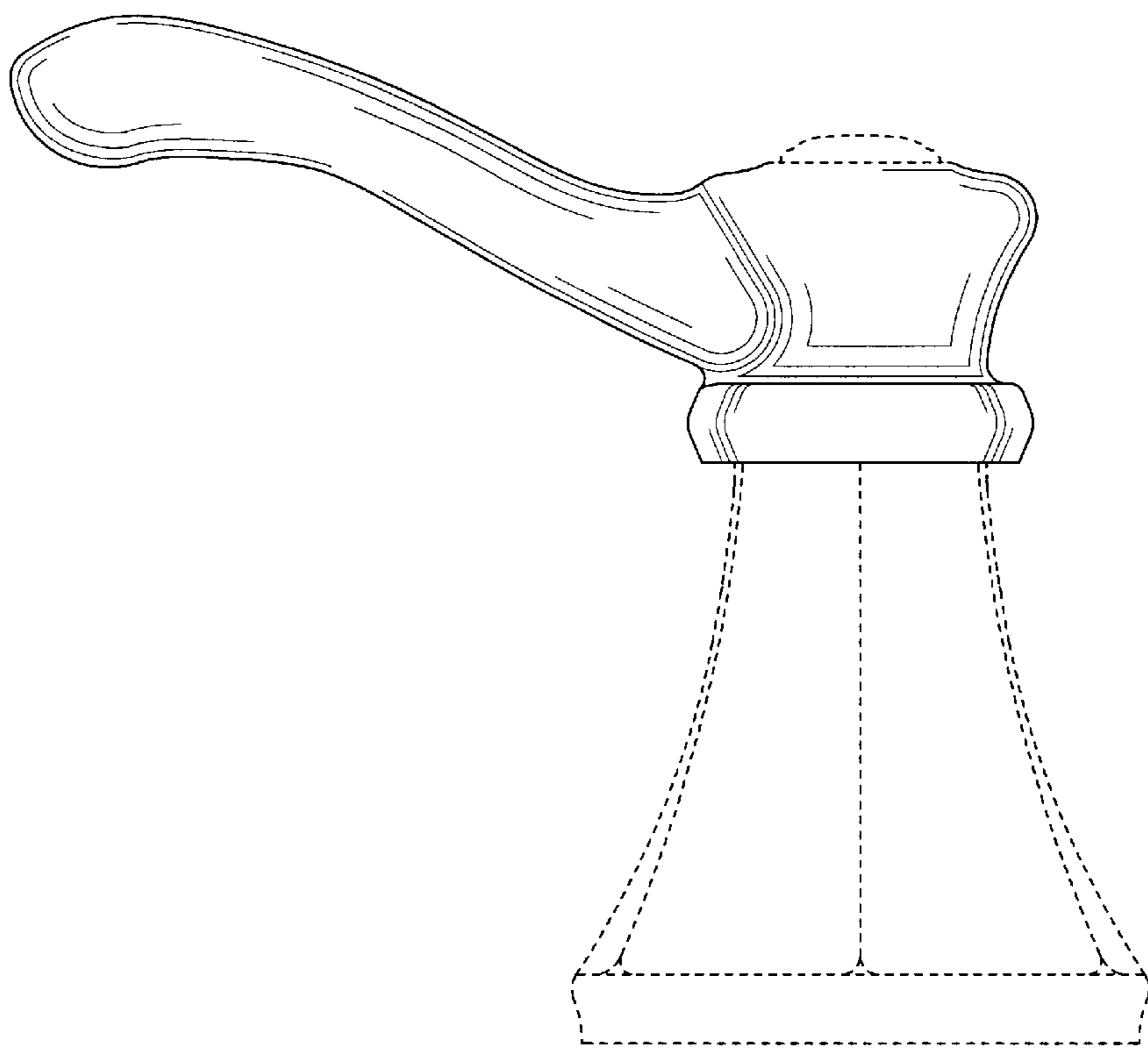
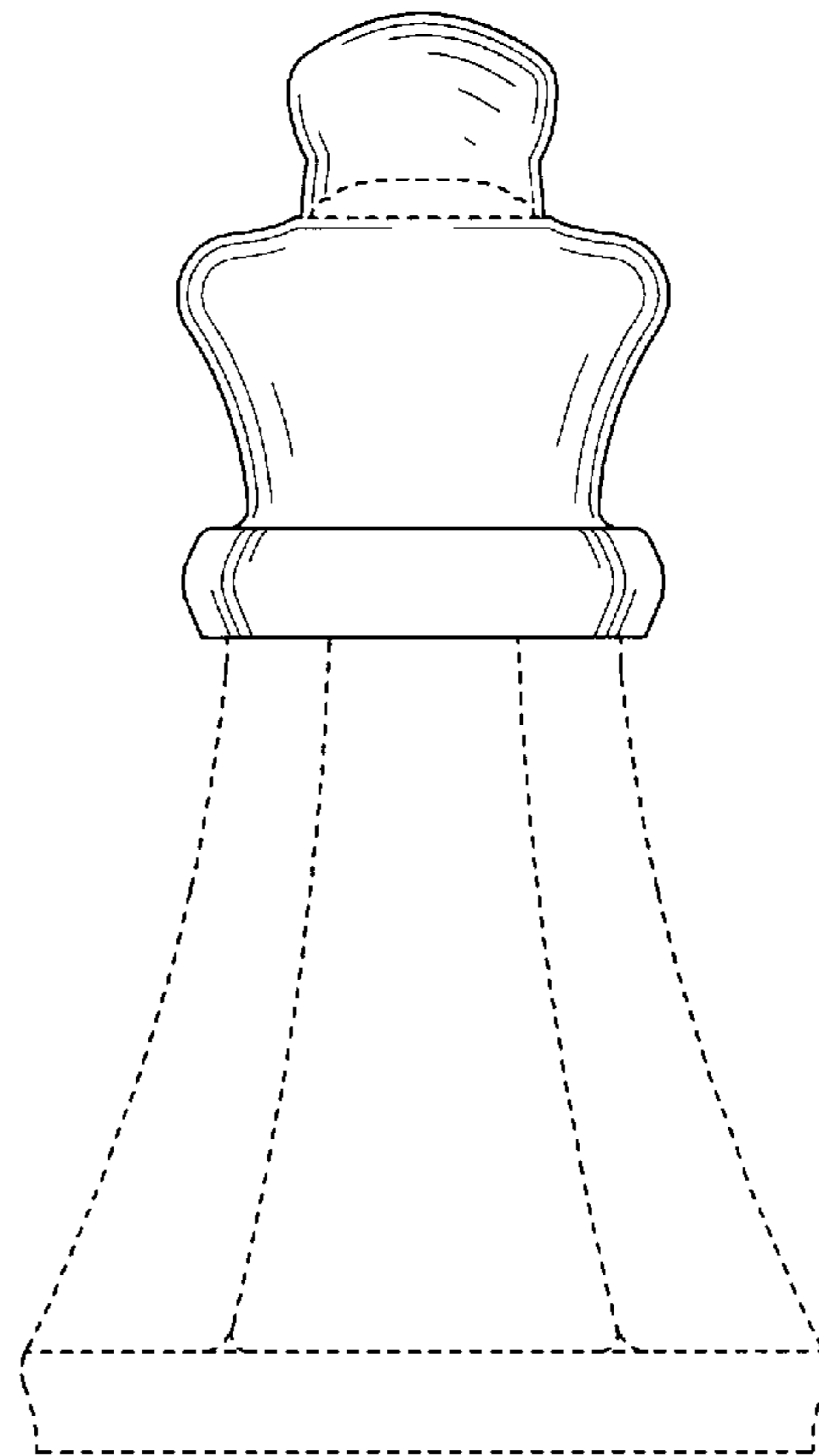
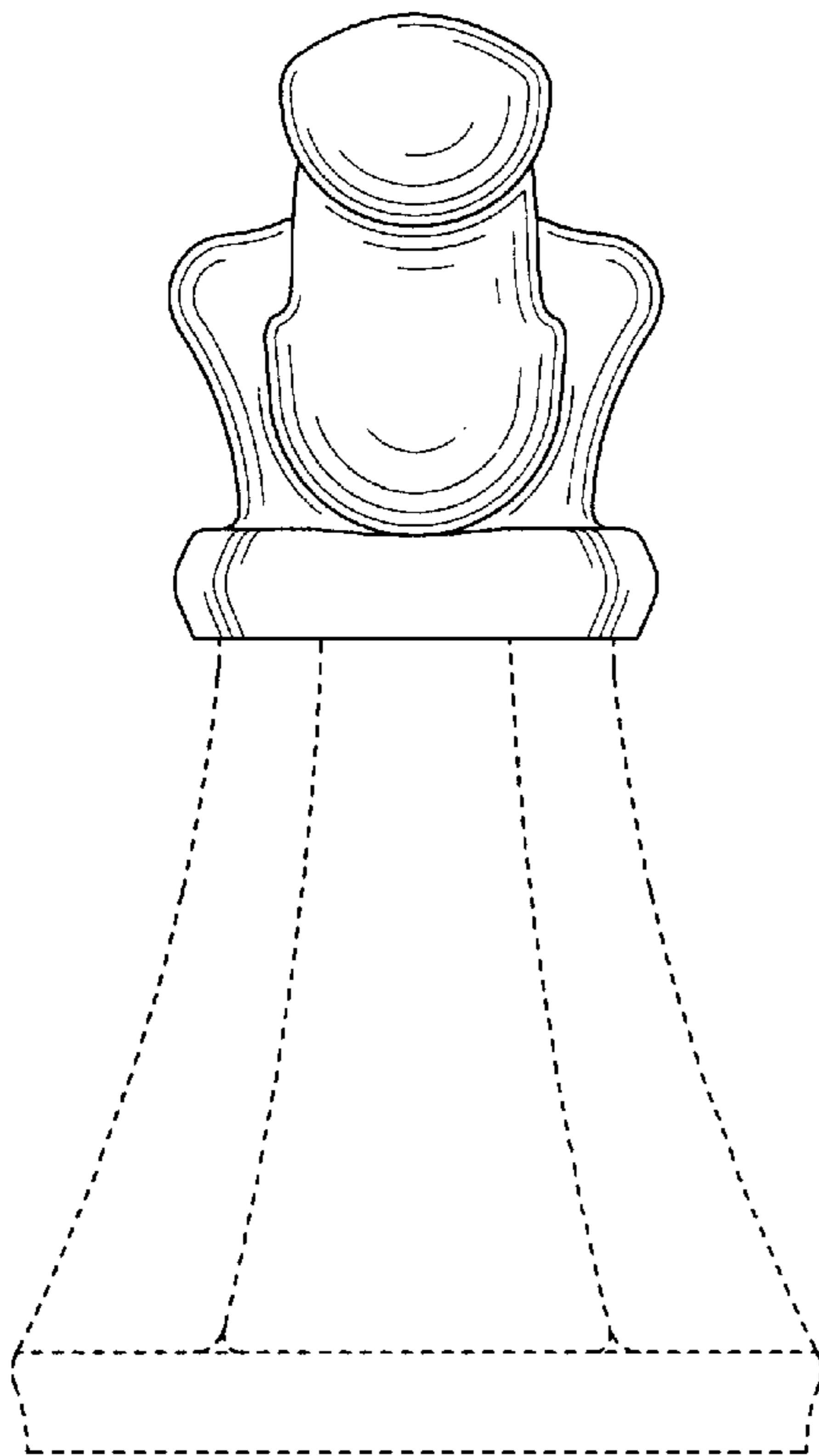
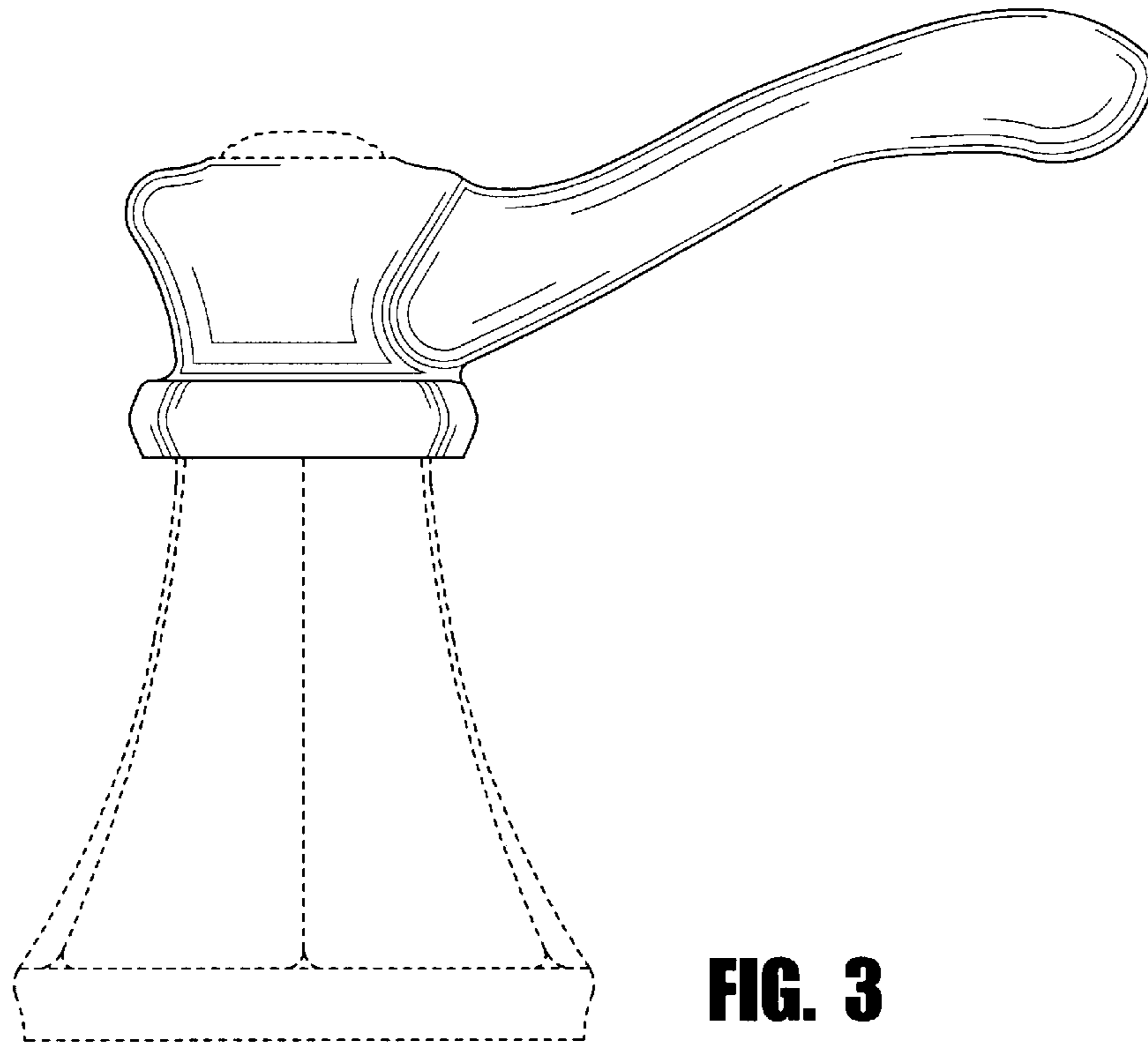


FIG. 2



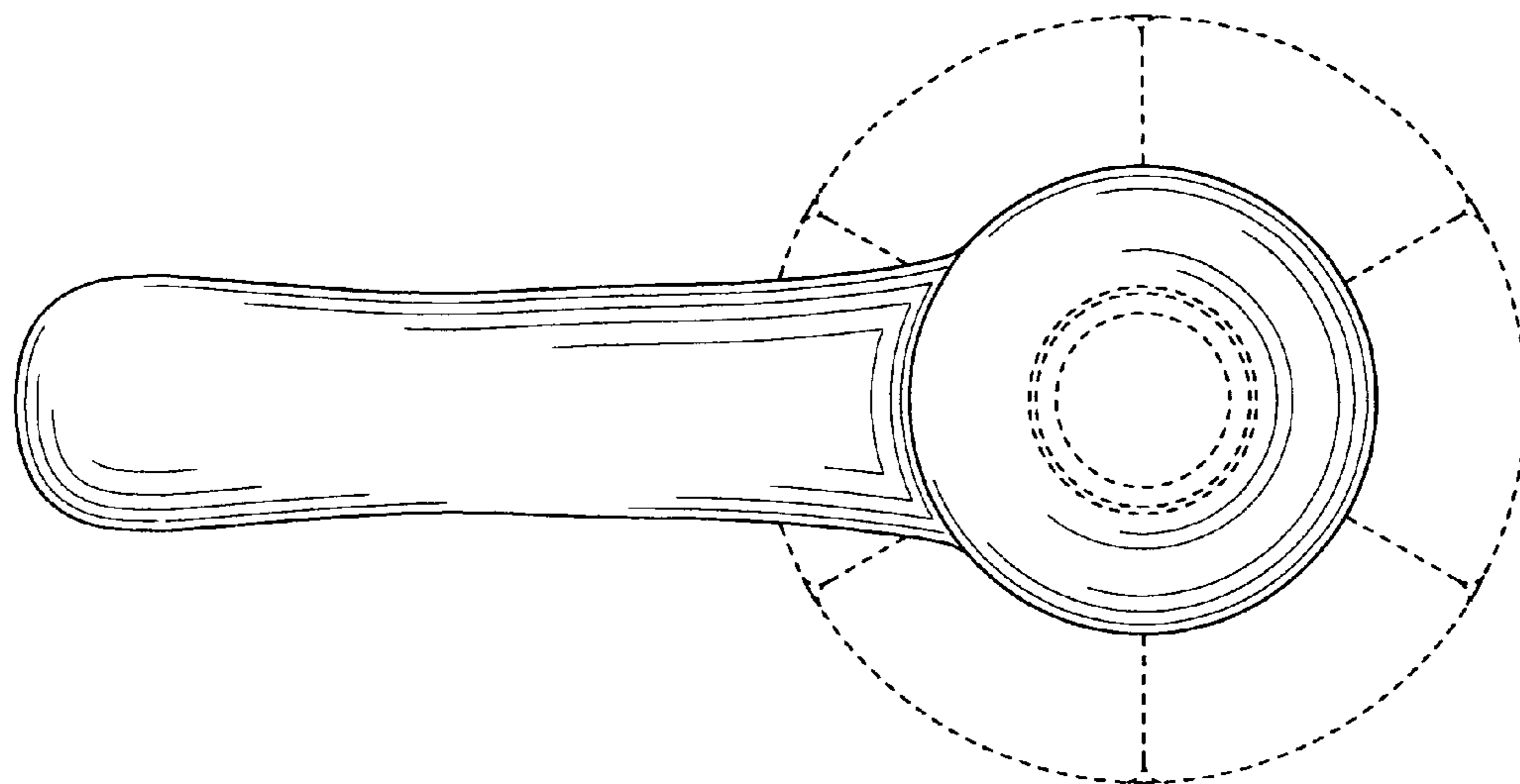


FIG. 6

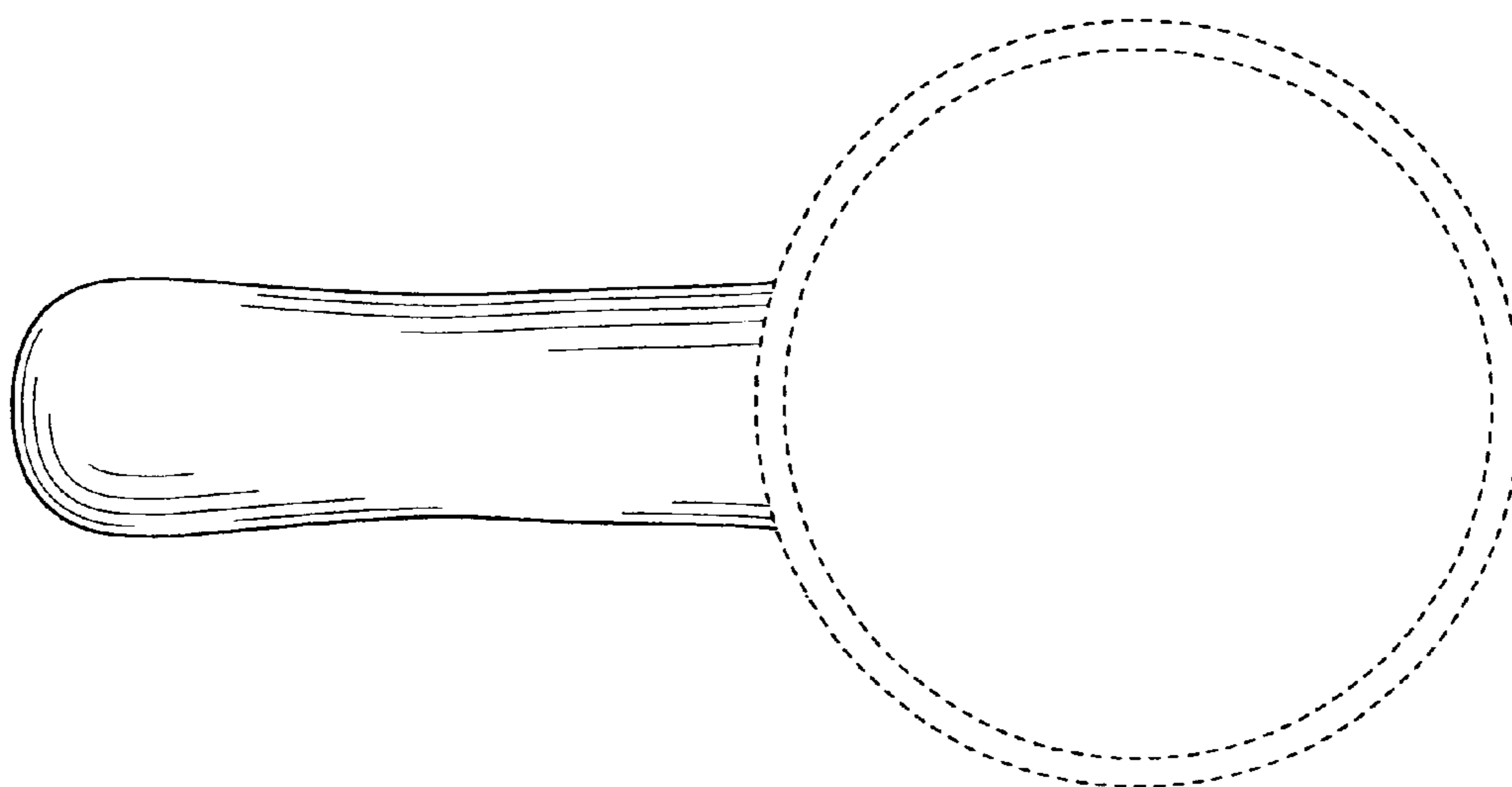


FIG. 7