



US00D529139S

(12) **United States Design Patent**  
**Gilbert**

(10) **Patent No.:** **US D529,139 S**

(45) **Date of Patent:** **\*\* Sep. 26, 2006**

- (54) **ESCUTCHEON**
- (75) Inventor: **Christopher Jon Gilbert**, Moreland Hills, OH (US)
- (73) Assignee: **Moen Incorporated**, North Olmsted, OH (US)
- (\*\*) Term: **14 Years**
- (21) Appl. No.: **29/221,131**
- (22) Filed: **Jan. 12, 2005**
- (51) **LOC (8) Cl.** ..... **23-01**
- (52) **U.S. Cl.** ..... **D23/249; D23/254**
- (58) **Field of Classification Search** ..... **D23/238-257; D8/250-257, 300-322, DIG. 3; 16/110.1; 4/675-678; 137/801**

- D96,839 S 9/1935 Johnston
- 2,096,602 A 10/1937 Weingarten
- D114,200 S 4/1939 Sedlon et al.
- D117,697 S 11/1939 Mortimer
- D126,074 S 3/1941 Judell et al.
- D140,693 S 3/1945 Judell
- D143,737 S 2/1946 Klein
- D153,907 S 5/1949 Smolensky
- D157,018 S 1/1950 Young
- D162,273 S 2/1951 Young
- D164,078 S 7/1951 Young
- 2,654,390 A 10/1953 Archer et al.
- D178,997 S 10/1956 Graff
- D191,295 S 9/1961 Chapman
- D220,101 S 3/1971 Brown et al.
- D260,088 S 8/1981 Murphy
- D280,009 S 8/1985 Miller et al.
- D280,543 S 9/1985 Paul
- D284,687 S 7/1986 Doman et al.

See application file for complete search history.

(Continued)

(56) **References Cited**

**U.S. PATENT DOCUMENTS**

- D29,734 S 11/1898 Glauber
- D30,893 S 5/1899 Levy
- D31,467 S 8/1899 Levy
- D33,860 S 1/1901 Glauber
- D69,726 S 3/1926 Steinberger
- D72,772 S 5/1927 Kipper
- D76,713 S 10/1928 Smith
- D76,714 S 10/1928 Smith
- D76,925 S 11/1928 Frankenberger
- D77,334 S 12/1928 Thompson
- D77,377 S 1/1929 Thompson
- D78,619 S 5/1929 Frankenberger
- D78,721 S 6/1929 Young
- D79,565 S 10/1929 Nash
- D82,360 S 10/1930 Albert
- D84,462 S 6/1931 Clemmons
- D87,757 S 9/1932 Pope
- D87,830 S 9/1932 Ferguson
- D90,353 S 7/1933 Balton
- D90,679 S 9/1933 Polcer
- D92,845 S 7/1934 Grogan
- D96,625 S 8/1935 Robinovitz
- D96,691 S 8/1935 Nelson

*Primary Examiner*—Louis S. Zarfaz  
*Assistant Examiner*—Gregory Andoll  
 (74) *Attorney, Agent, or Firm*—Calfee, Halter & Griswold LLP

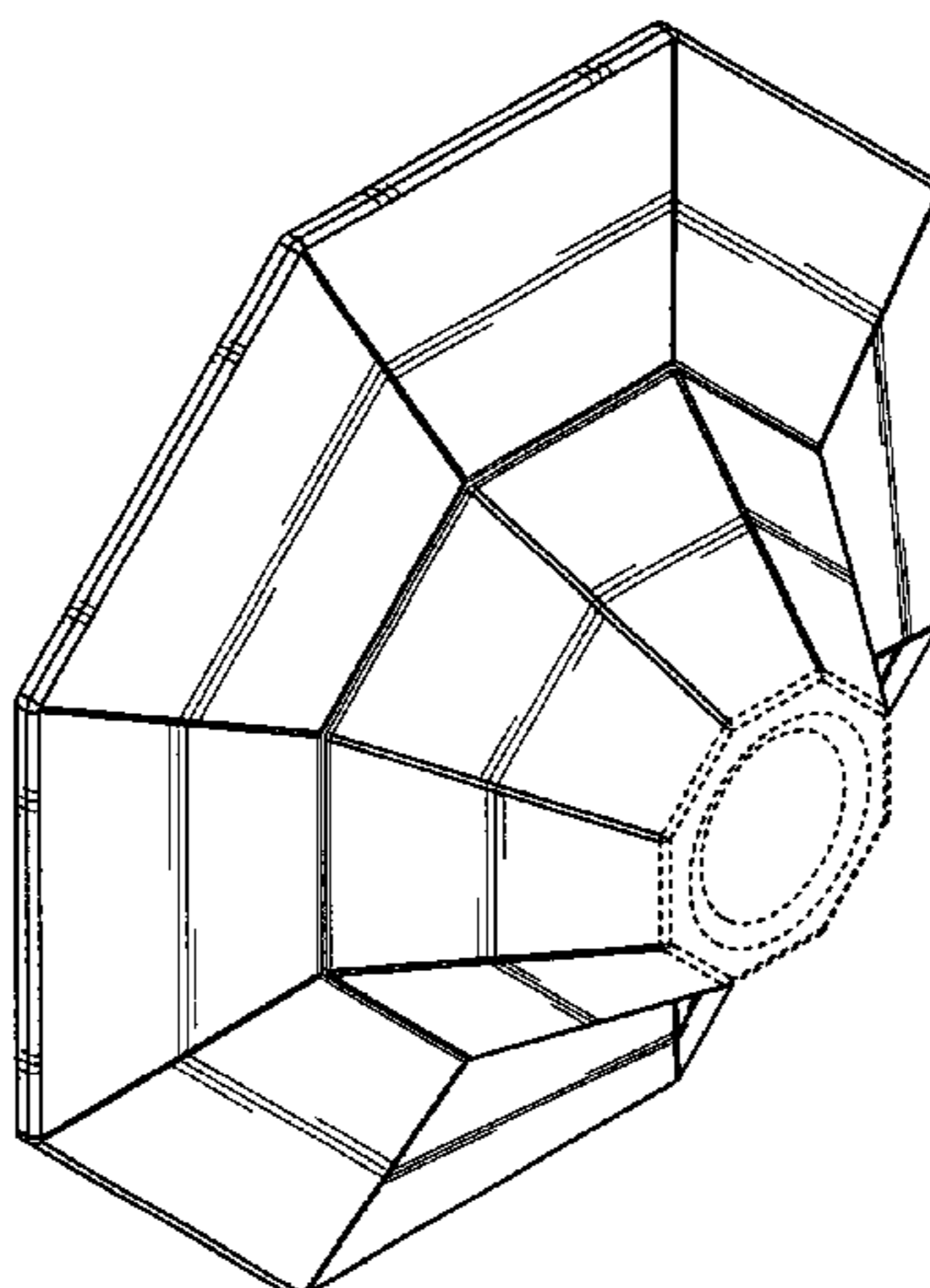
(57) **CLAIM**

The ornamental design for an escutcheon, as shown and described.

**DESCRIPTION**

FIG. 1 is a perspective view of a escutcheon of the new design;  
 FIG. 2 is a front elevational view of the escutcheon of FIG. 1;  
 FIG. 3 is a left side elevational view of the escutcheon of FIG. 1;  
 FIG. 4 is a right side elevational view of the escutcheon of FIG. 1;  
 FIG. 5 is a top plan view of the escutcheon of FIG. 1; and,  
 FIG. 6 is a bottom plan view of the escutcheon of FIG. 1.  
 The portions of the Figures shown in broken lines are not part of the claimed design and are for illustration only.

**1 Claim, 3 Drawing Sheets**



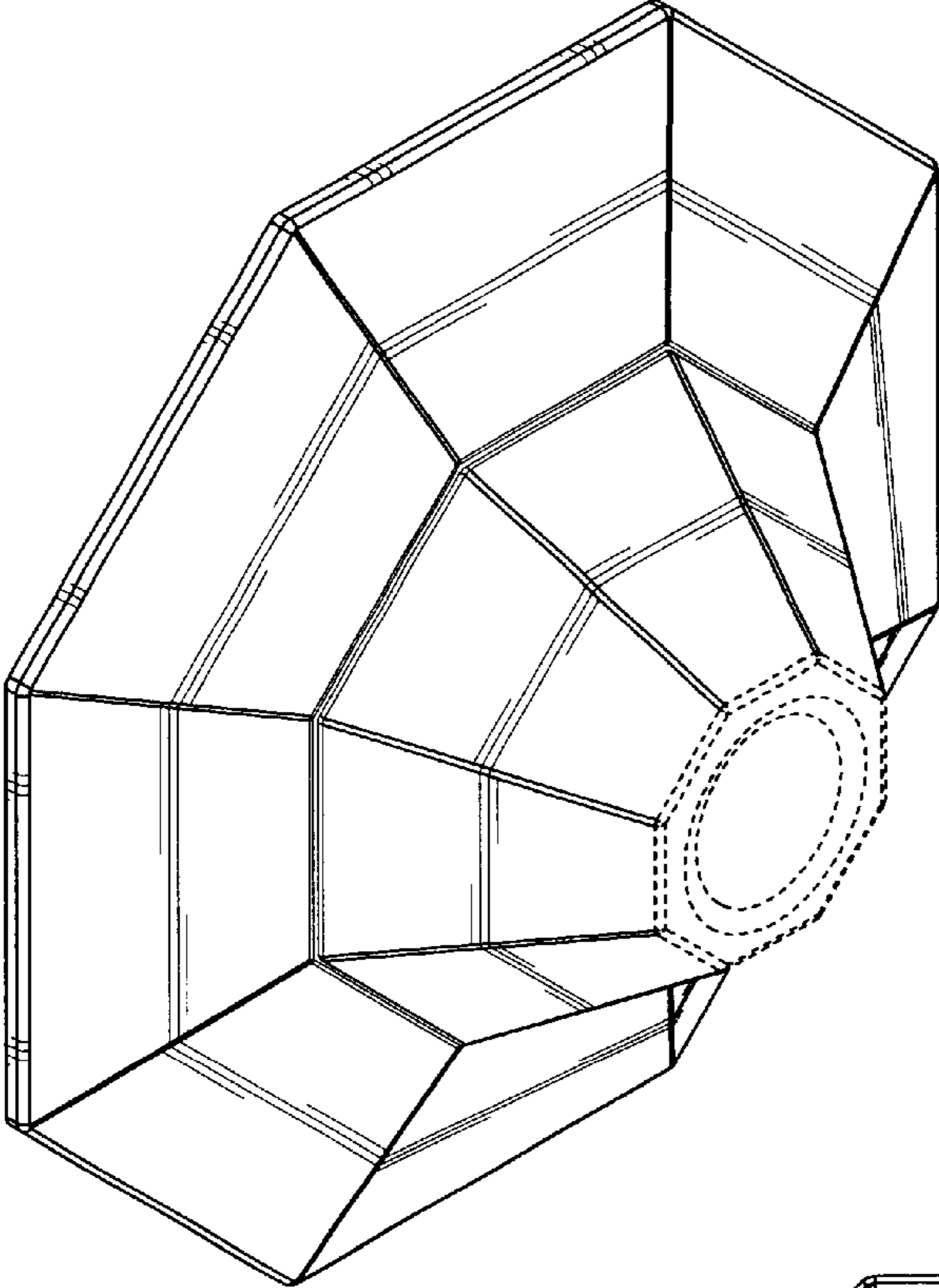
# US D529,139 S

Page 2

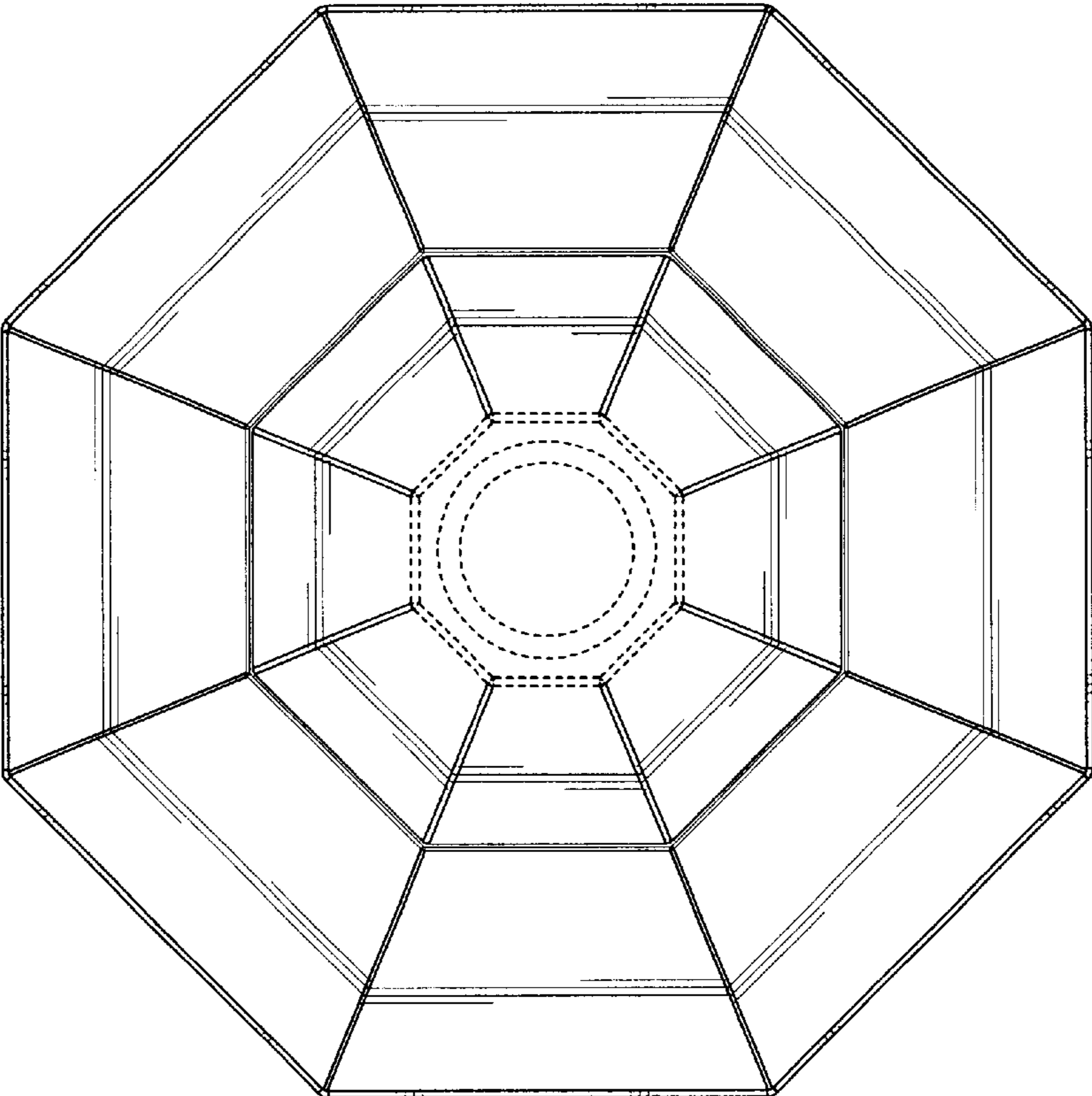
---

## U.S. PATENT DOCUMENTS

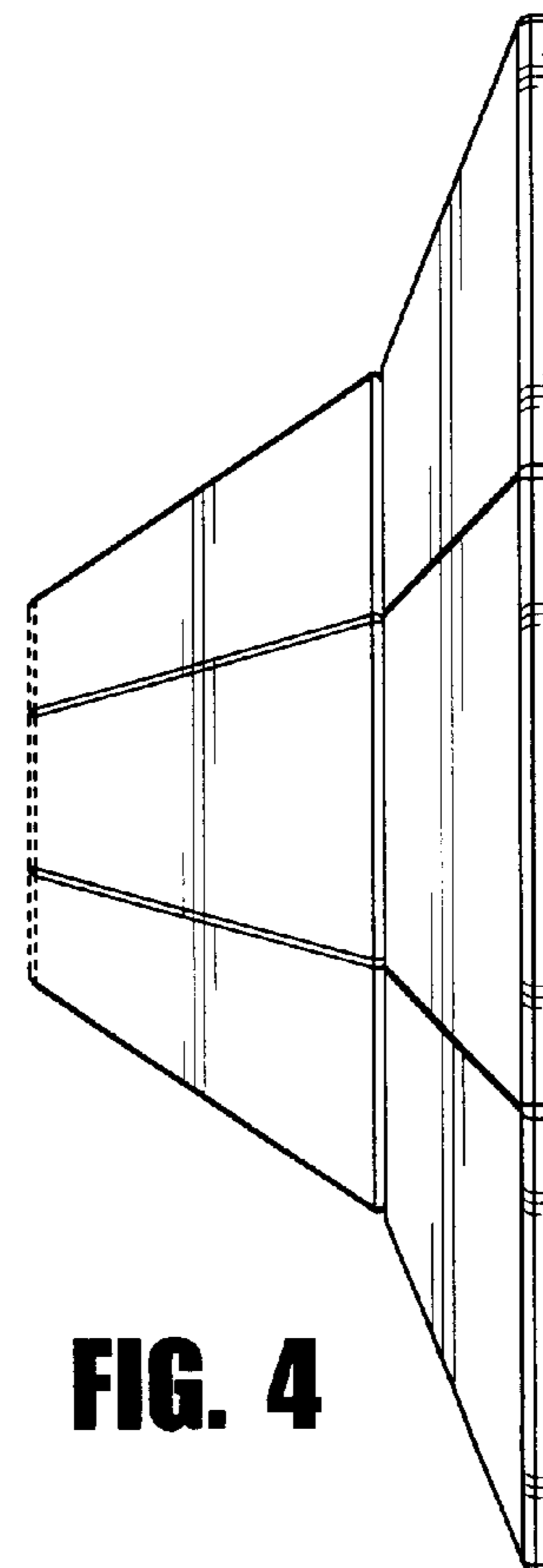
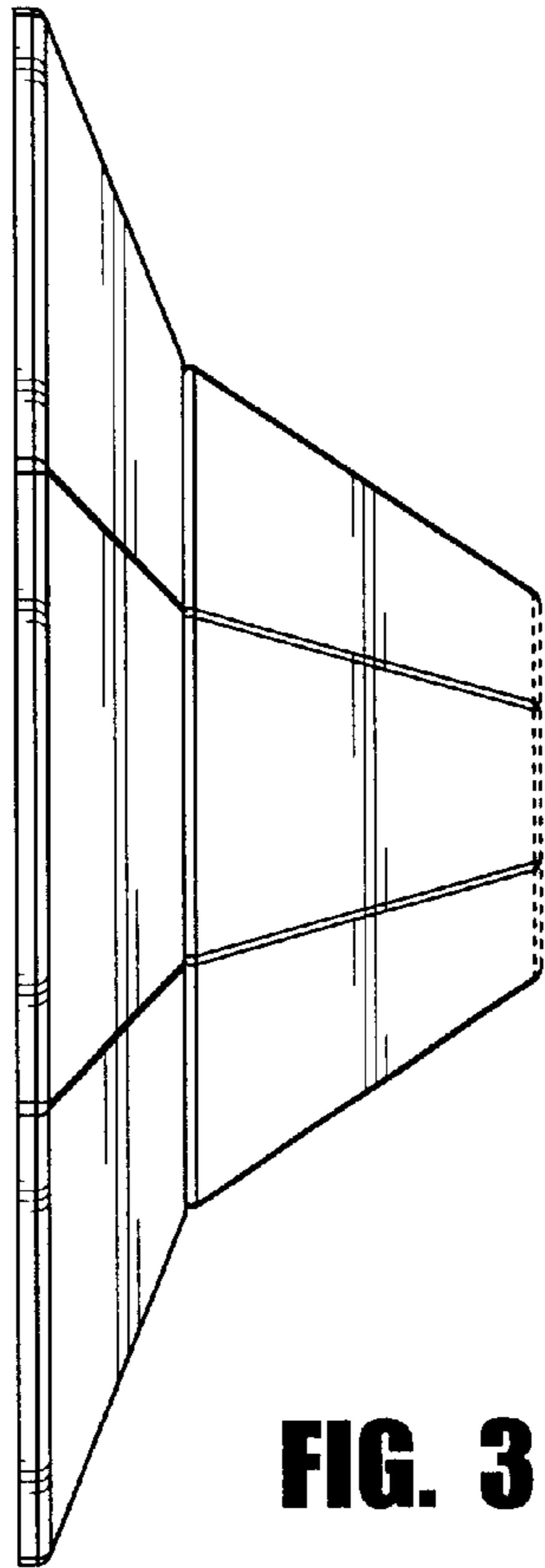
D287,269 S	12/1986	Piesco	D405,162 S	2/1999	Doughty et al.
D287,395 S	12/1986	Piesco	D429,521 S	8/2000	Doughty et al.
4,678,002 A	7/1987	Valley	D440,281 S	4/2001	Fleischmann
D291,475 S	8/1987	Gregory	6,317,905 B1	11/2001	Slothower
D298,564 S	11/1988	Paul	D455,195 S	4/2002	McKeone
D303,284 S	9/1989	Paul	D461,530 S	8/2002	Moll
D342,119 S	12/1993	Shieh	D462,418 S	9/2002	Smith
D349,037 S	7/1994	Carsello	D465,557 S	11/2002	Antoniello et al.
D397,983 S	9/1998	Pingel et al.	D468,405 S	1/2003	McKeone
			D478,371 S	8/2003	Ouyoung

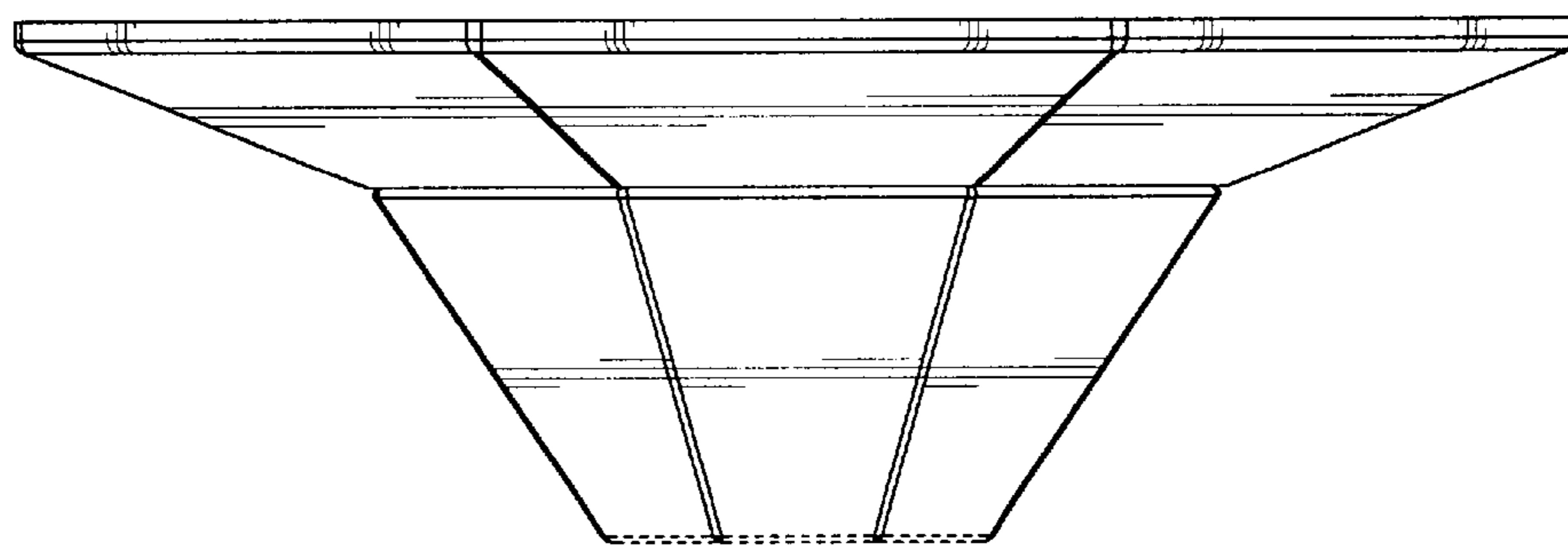


**FIG. 1**

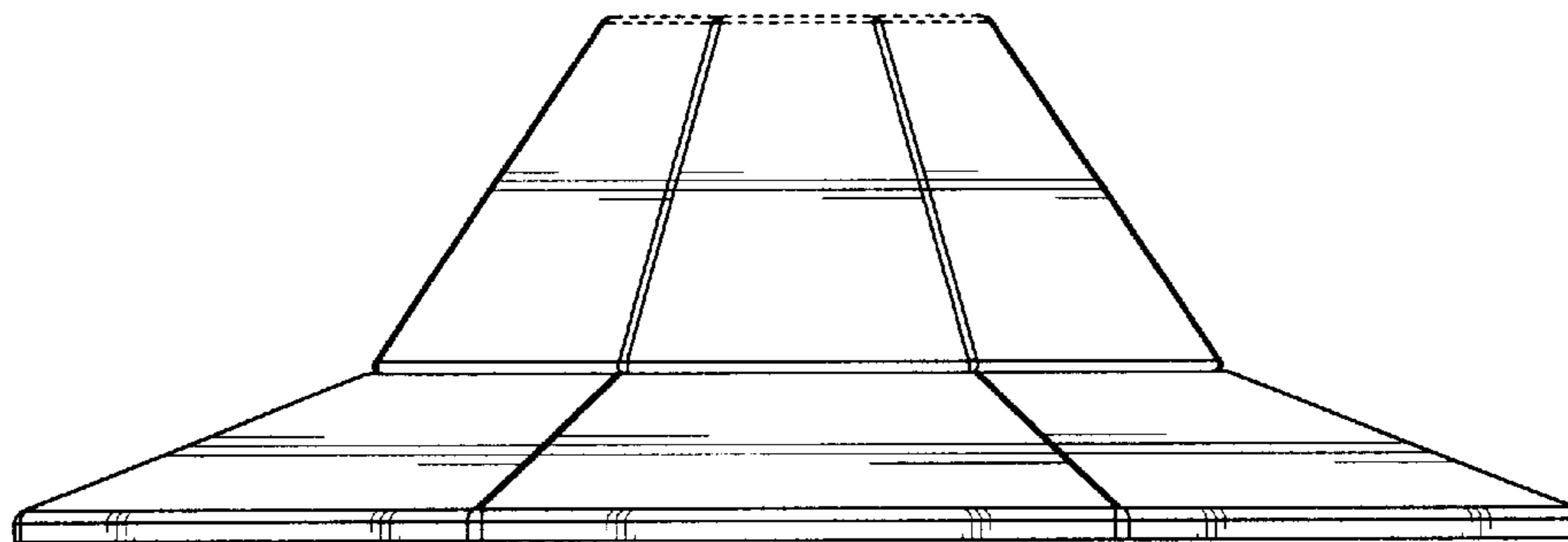


**FIG. 2**





**FIG. 5**



**FIG. 6**