

US00D529138S

(12) **United States Design Patent**
Chen

(10) **Patent No.:** **US D529,138 S**

(45) **Date of Patent:** **** Sep. 26, 2006**

(54) **KITCHEN FAUCET SET**

(76) **Inventor:** **Lien-Fu Chen**, No. 11, Lane 66, Fu Dong Street, Fu Shan Li, Chung Hua City (TW)

(**) **Term:** **14 Years**

(21) **Appl. No.:** **29/238,198**

(22) **Filed:** **Sep. 12, 2005**

(51) **LOC (8) Cl.** **23-01**

(52) **U.S. Cl.** **D23/241; D23/242**

(58) **Field of Classification Search** **D23/238-257; 4/675-678; 137/801**

See application file for complete search history.

(56) **References Cited**

U.S. PATENT DOCUMENTS

D384,132 S	*	9/1997	Doughty et al.	D23/241
D404,467 S	*	1/1999	Doughty et al.	D23/242
D406,876 S	*	3/1999	Ko	D23/241
D418,581 S	*	1/2000	Warshawsky et al.	D23/242
D447,541 S	*	9/2001	Dretzka	D23/243
D460,523 S	*	7/2002	Green et al.	D23/241
D466,194 S	*	11/2002	Otero et al.	D23/242

D475,125 S	*	5/2003	Marinov	D23/243
D478,968 S	*	8/2003	Veltz	D23/255
D518,149 S	*	3/2006	Spangler	D23/241
D519,610 S	*	4/2006	Fritz	D23/241
D519,613 S	*	4/2006	Spangler	D23/241

* cited by examiner

Primary Examiner—Louis S. Zarfaz

Assistant Examiner—Gregory Andoll

(74) *Attorney, Agent, or Firm*—Charles E. Baxley

(57) **CLAIM**

The ornamental design for a kitchen faucet set, as shown and described.

DESCRIPTION

FIG. 1 is a perspective view of a kitchen faucet set showing my new design;

FIG. 2 is a front elevational view thereof;

FIG. 3 is a rear elevational view thereof;

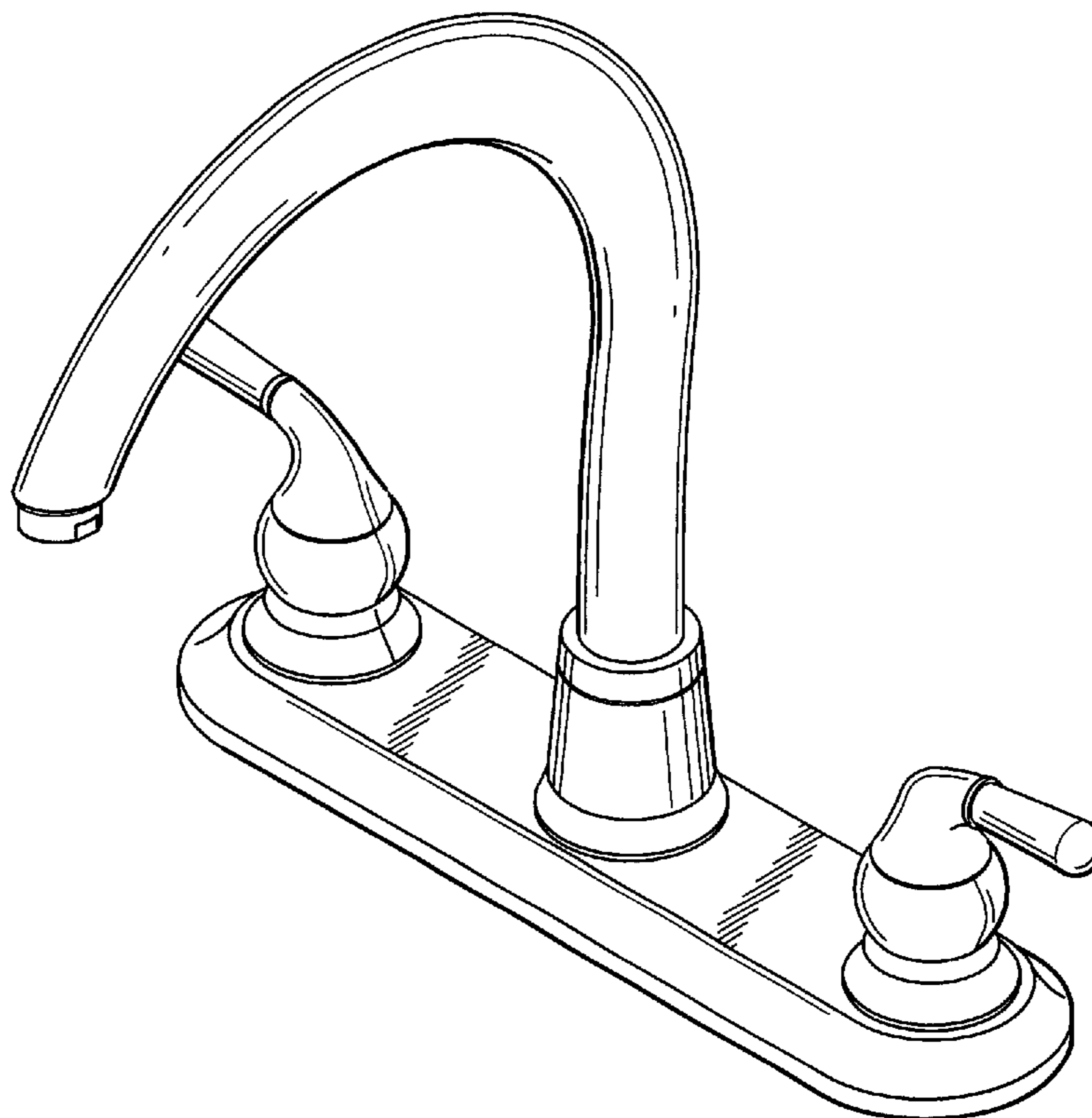
FIG. 4 is a left side elevational view thereof;

FIG. 5 is a right side elevational view thereof;

FIG. 6 is a top plan view thereof; and,

FIG. 7 is a bottom plan view thereof.

1 Claim, 7 Drawing Sheets



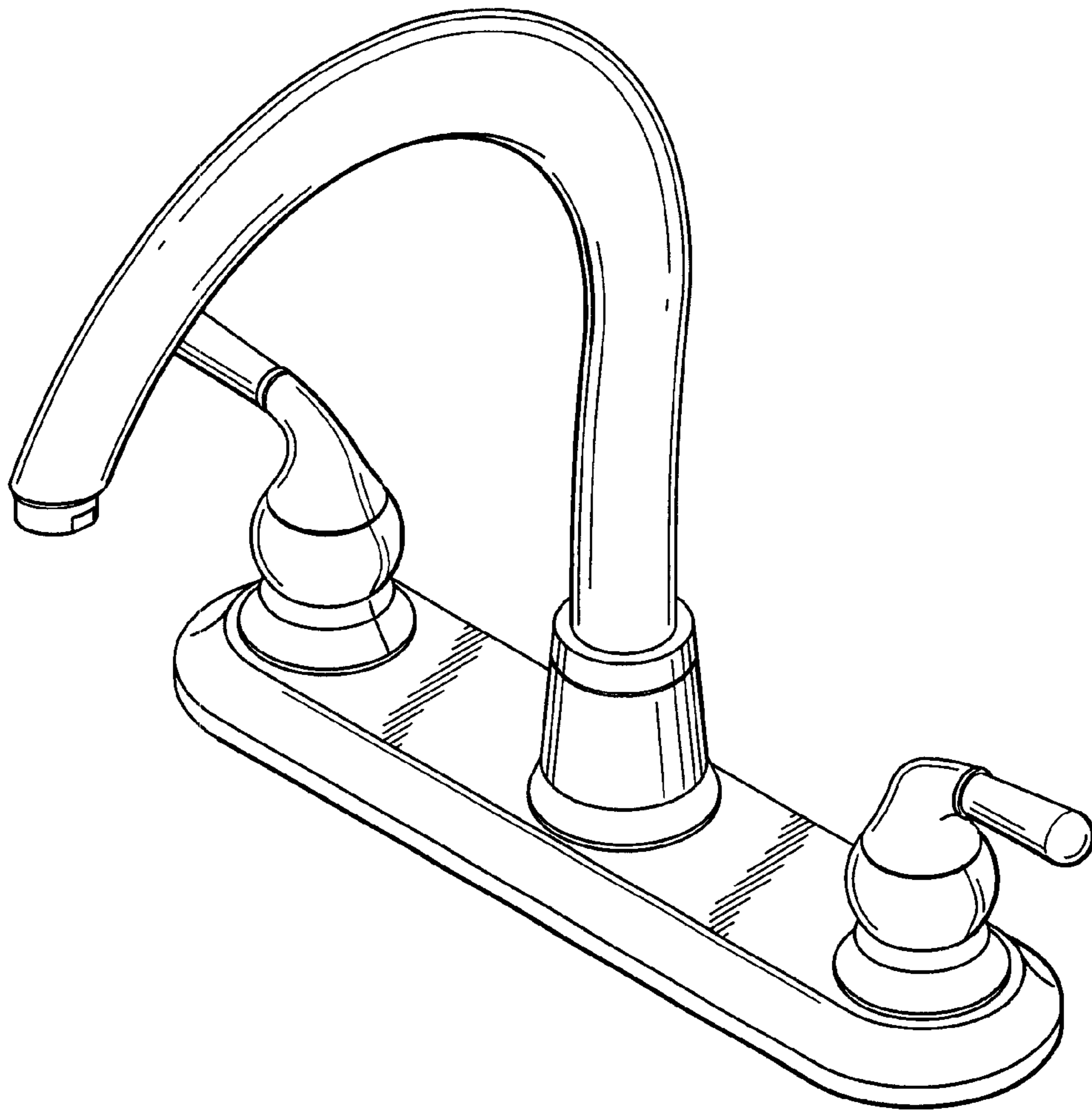


FIG. 1

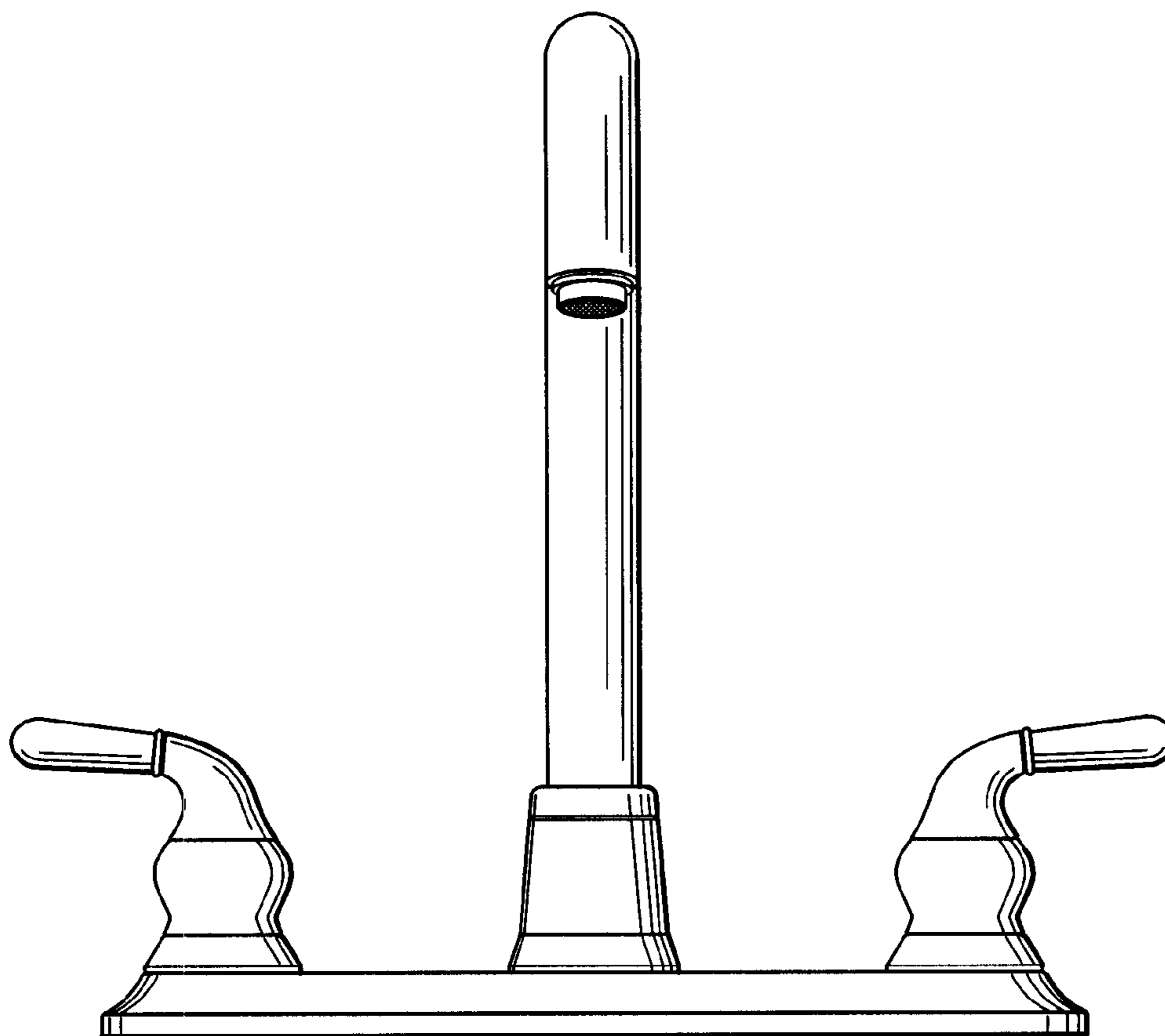


FIG. 2

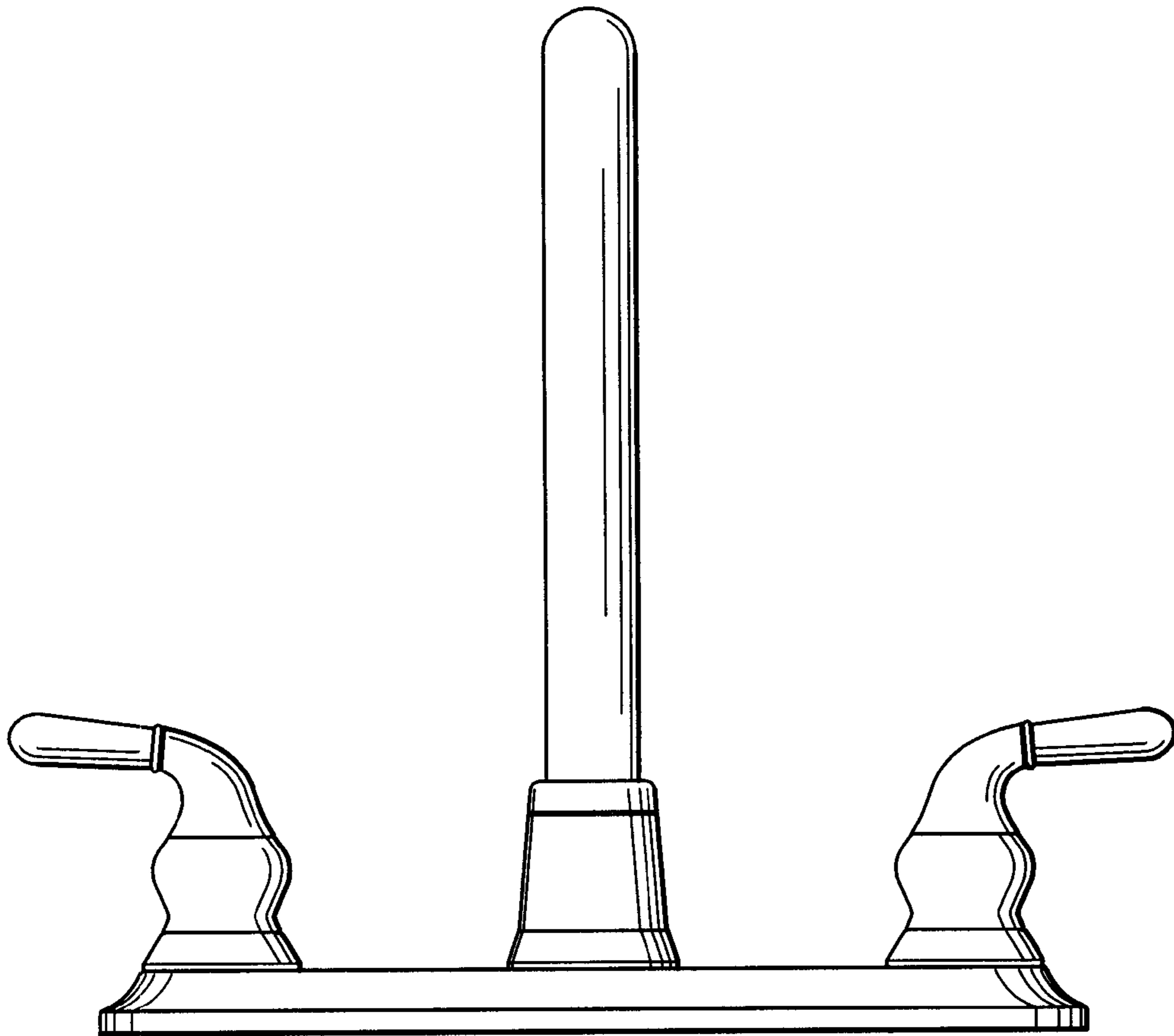


FIG. 3

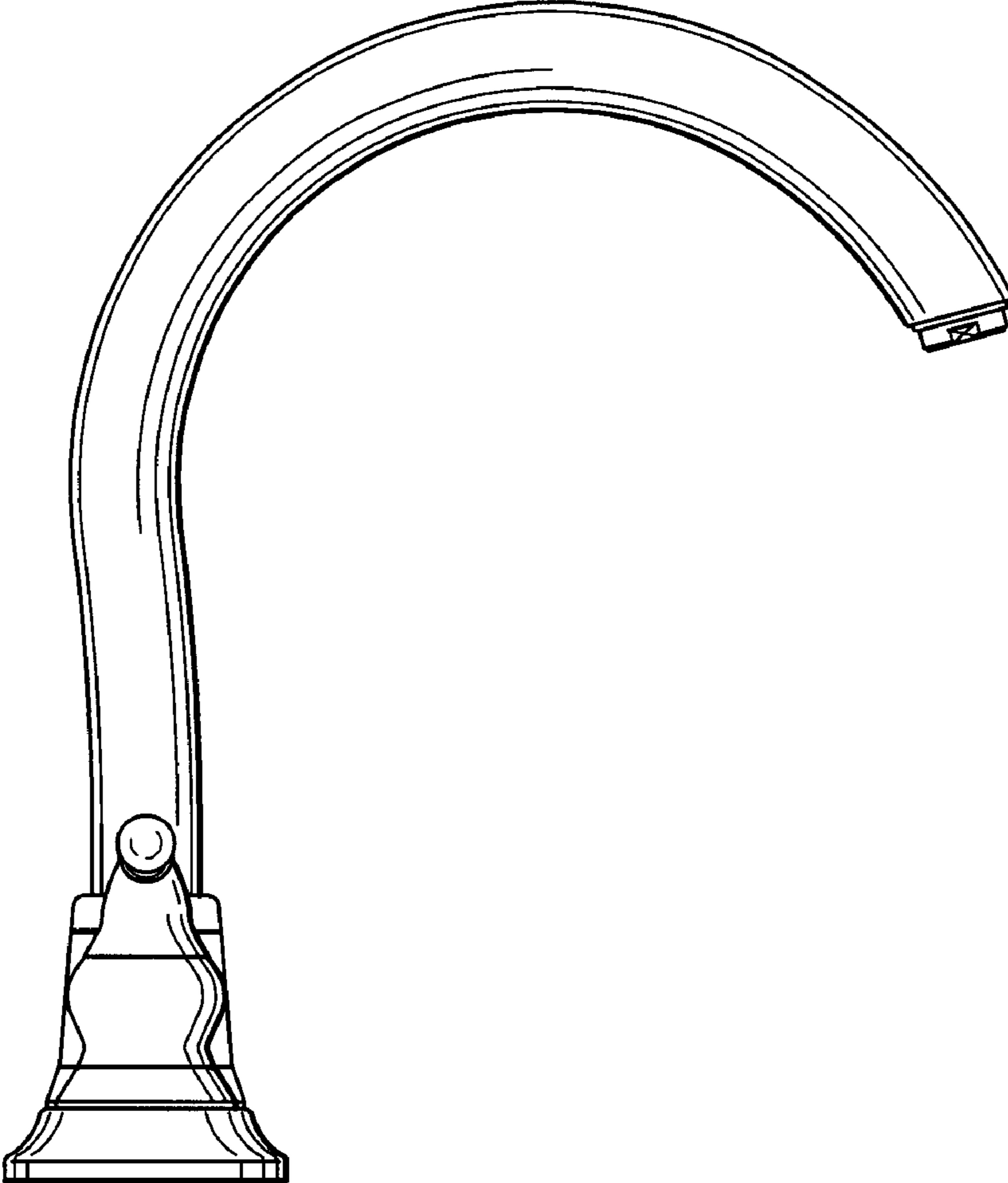


FIG. 4

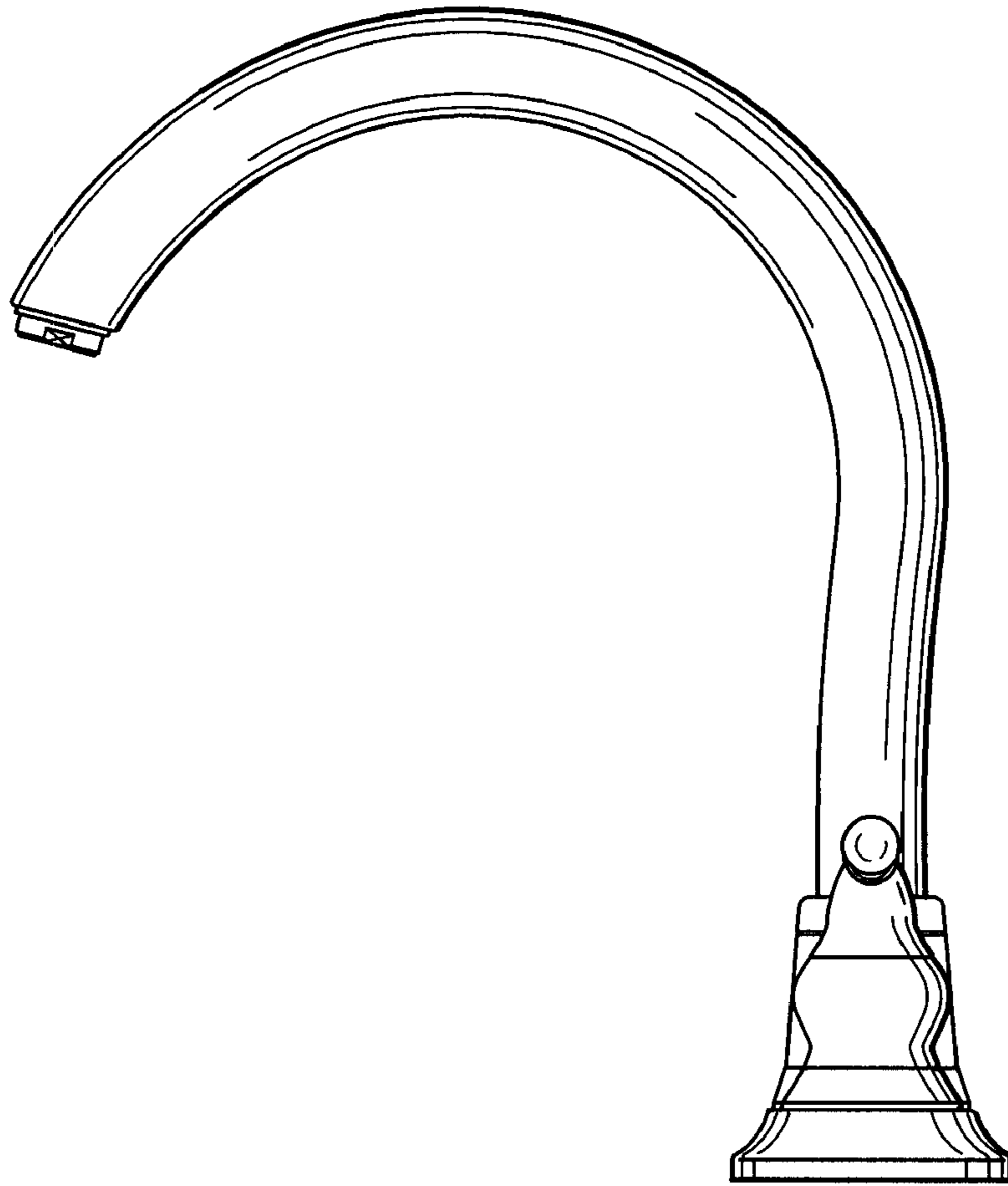


FIG. 5

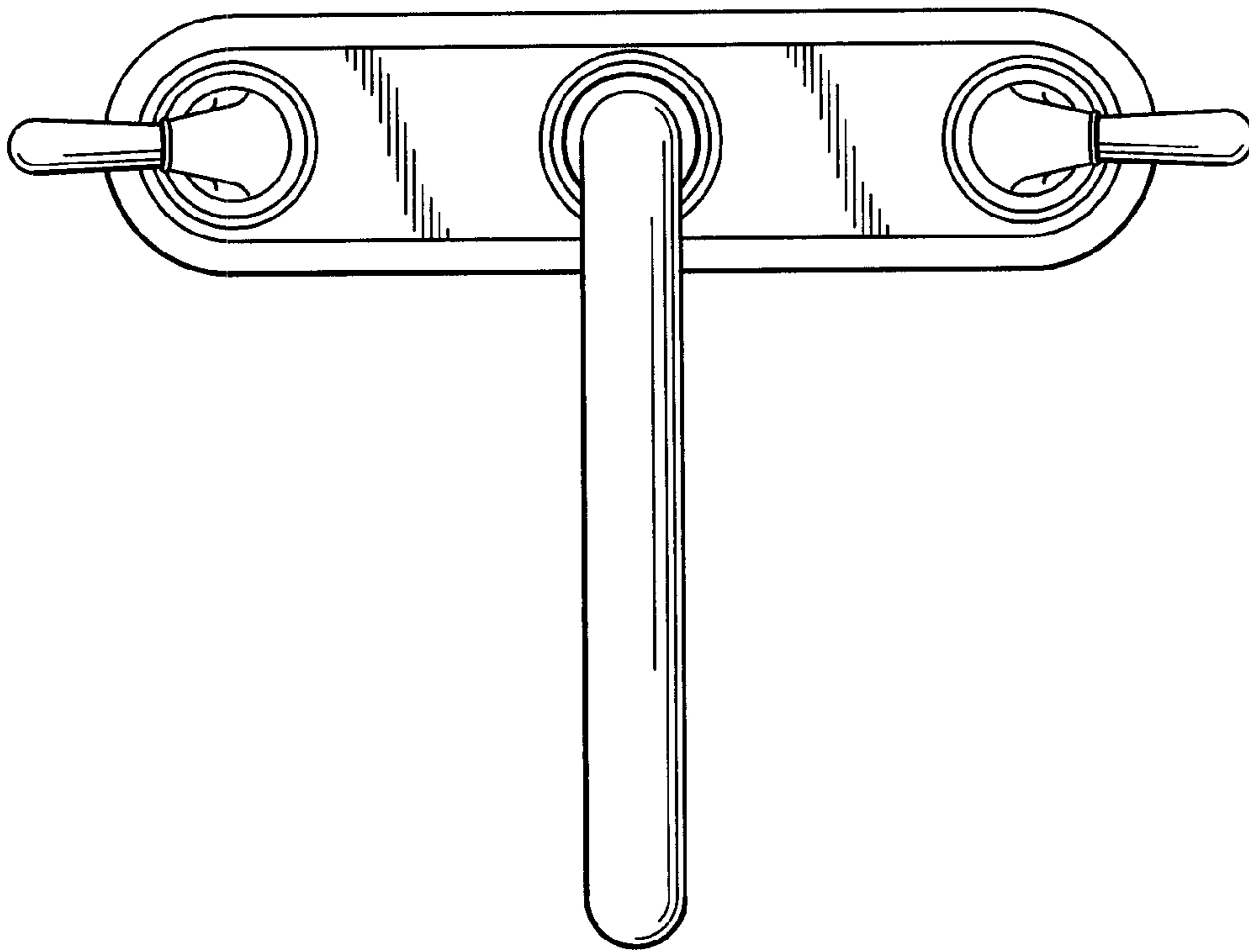


FIG. 6

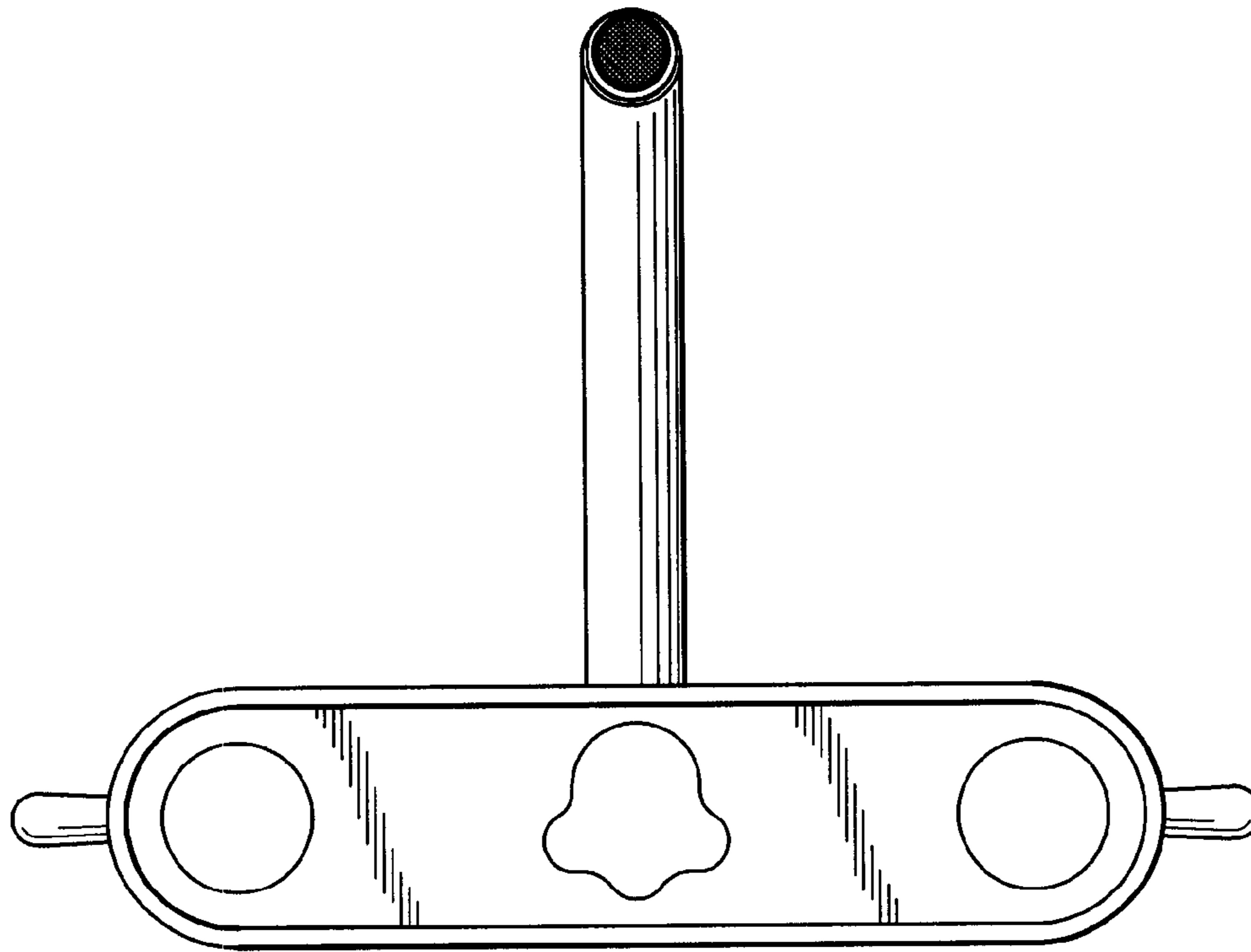


FIG. 7