



US00D529137S

(12) **United States Design Patent**
Chu et al.

(10) **Patent No.:** **US D529,137 S**

(45) **Date of Patent:** **** Sep. 26, 2006**

(54) **LAVATORY FAUCET**

(75) Inventors: **Aaron Chu**, Taichung (TW); **Ken Hsui**,
Taichung (TW); **JC Lai**, Taichung
(TW)

(73) Assignee: **Globe Union Industrial Corp.**,
Taichung (TW)

(**) Term: **14 Years**

(21) Appl. No.: **29/235,114**

(22) Filed: **Jul. 28, 2005**

(51) **LOC (8) Cl.** **23-01**

(52) **U.S. Cl.** **D23/241; D23/242**

(58) **Field of Classification Search** **D23/238-257;**
4/675-678; 137/801

See application file for complete search history.

(56) **References Cited**

U.S. PATENT DOCUMENTS

- D384,132 S * 9/1997 Doughty et al. D23/241
- D404,467 S * 1/1999 Doughty et al. D23/242
- D406,876 S * 3/1999 Ko D23/241
- D418,581 S * 1/2000 Warshawsky et al. D23/242
- D447,541 S * 9/2001 Dretzka D23/243

- D460,523 S * 7/2002 Green et al. D23/241
- D466,194 S * 11/2002 Otero et al. D23/242
- D475,125 S * 5/2003 Marinov D23/243
- D478,968 S * 8/2003 Veltz D23/255
- D518,149 S * 3/2006 Spangler D23/241
- D519,610 S * 4/2006 Fritz D23/241
- D519,613 S * 4/2006 Spangler D23/241

* cited by examiner

Primary Examiner—Louis S. Zarfaz

Assistant Examiner—Gregory Andoll

(74) *Attorney, Agent, or Firm*—Leong C. Lei

(57) **CLAIM**

The ornamental design for a lavatory faucet, as shown and described.

DESCRIPTION

FIG. 1 is a perspective view of a lavatory faucet showing our new design;

FIG. 2 is a front elevational view thereof;

FIG. 3 is a rear elevational view thereof;

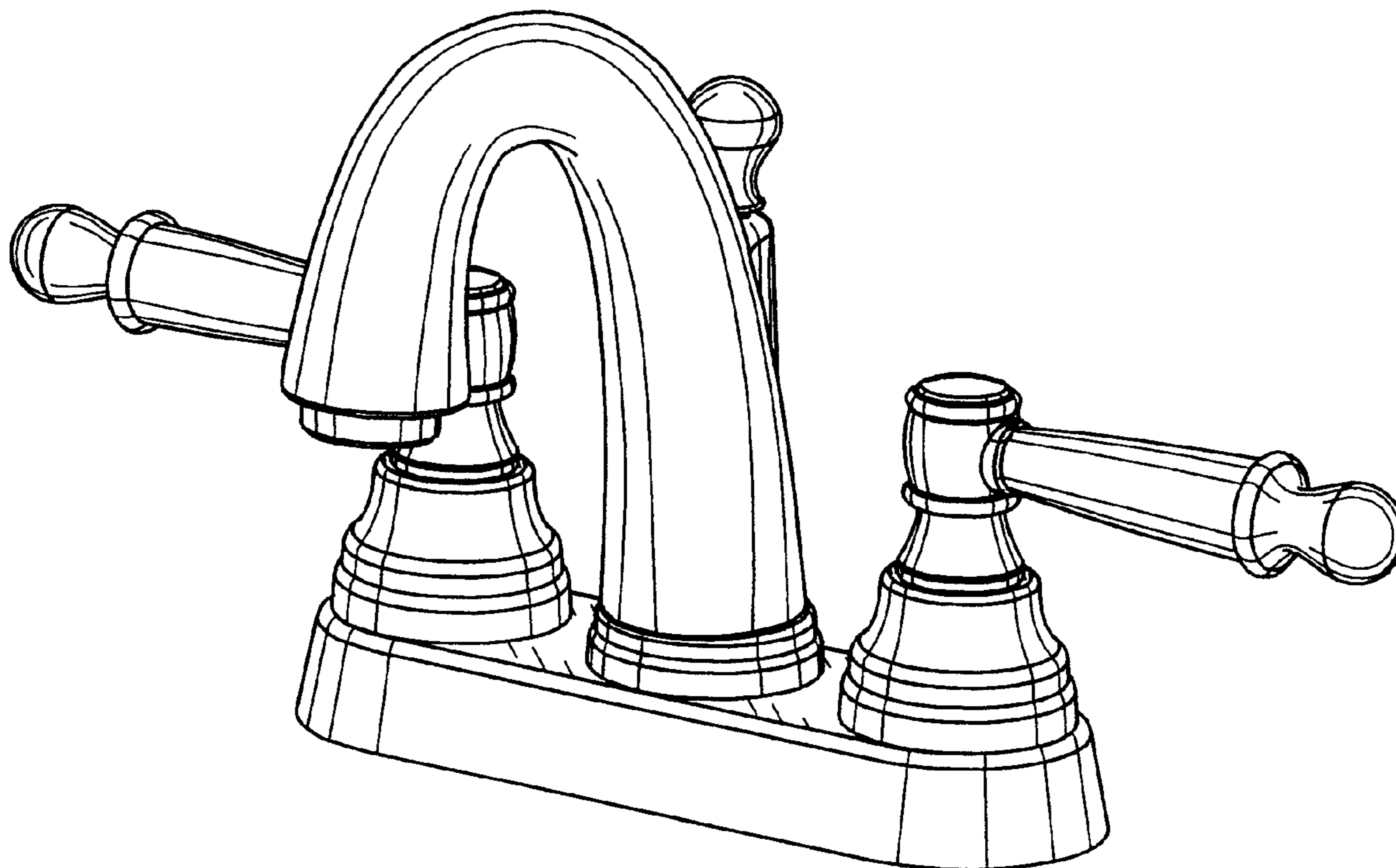
FIG. 4 is a left side elevational view thereof;

FIG. 5 is a right side elevational view thereof;

FIG. 6 is a top plan view thereof; and,

FIG. 7 is a bottom plan view thereof.

1 Claim, 4 Drawing Sheets



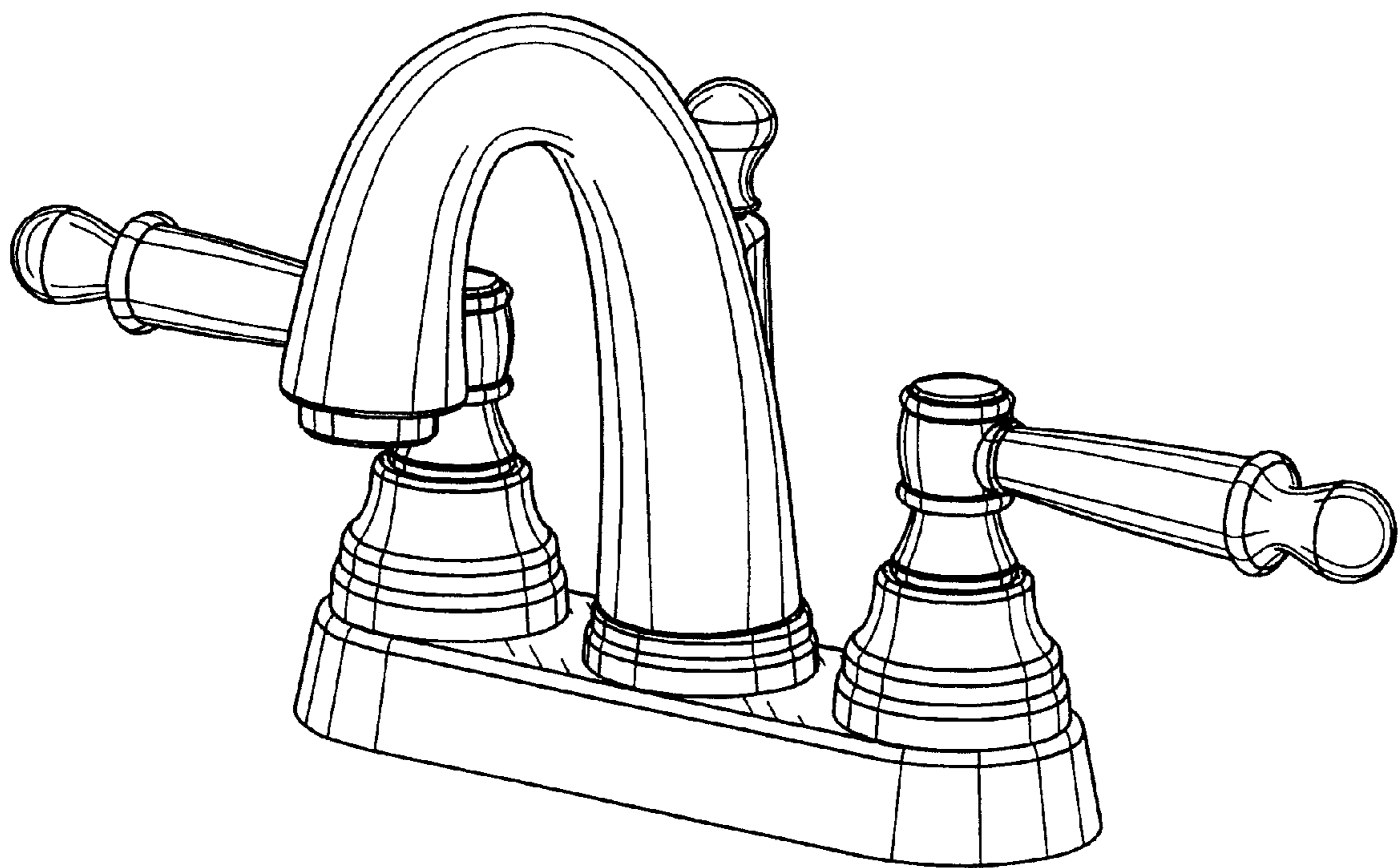


FIG. 1

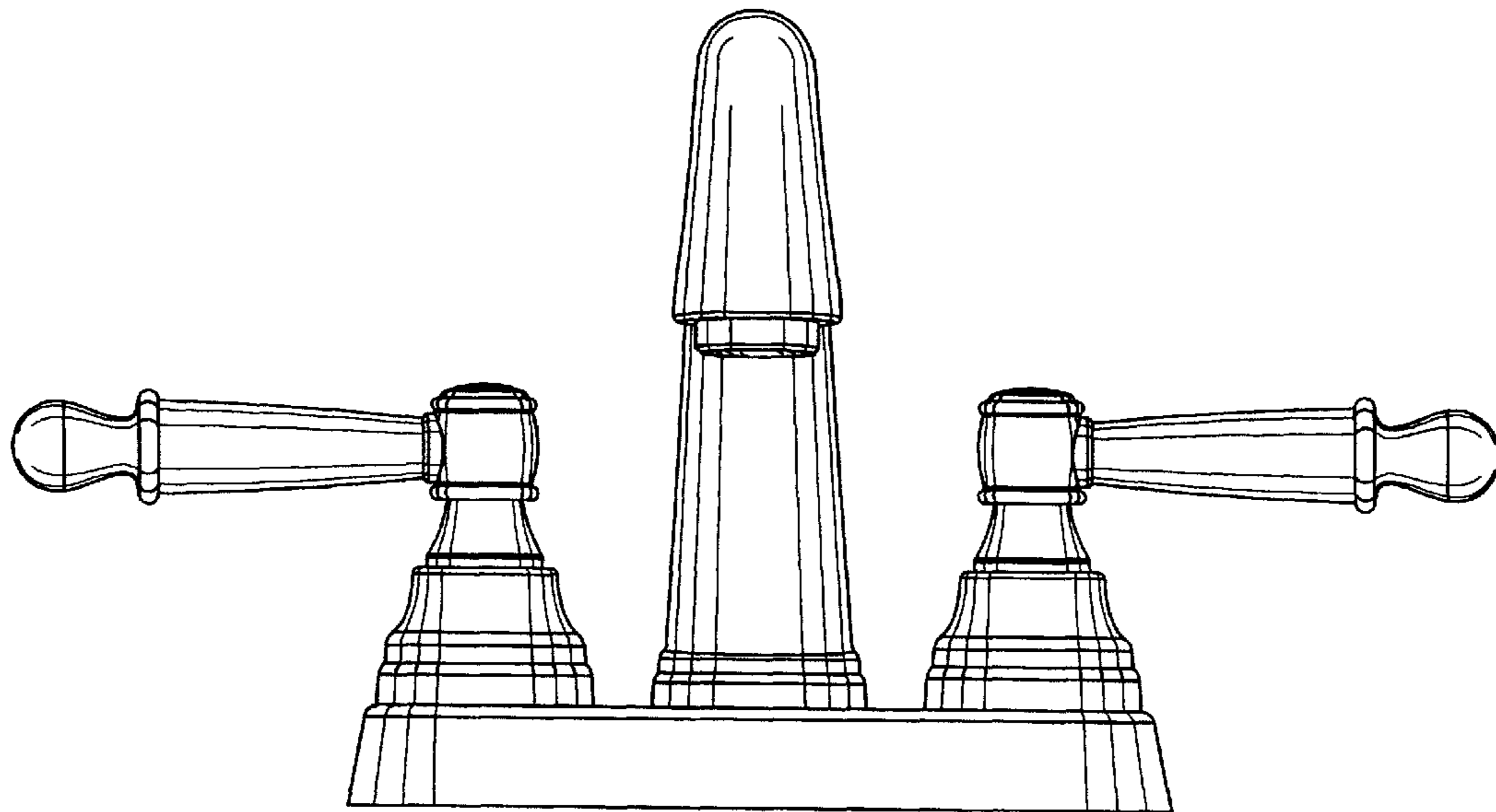


FIG. 2

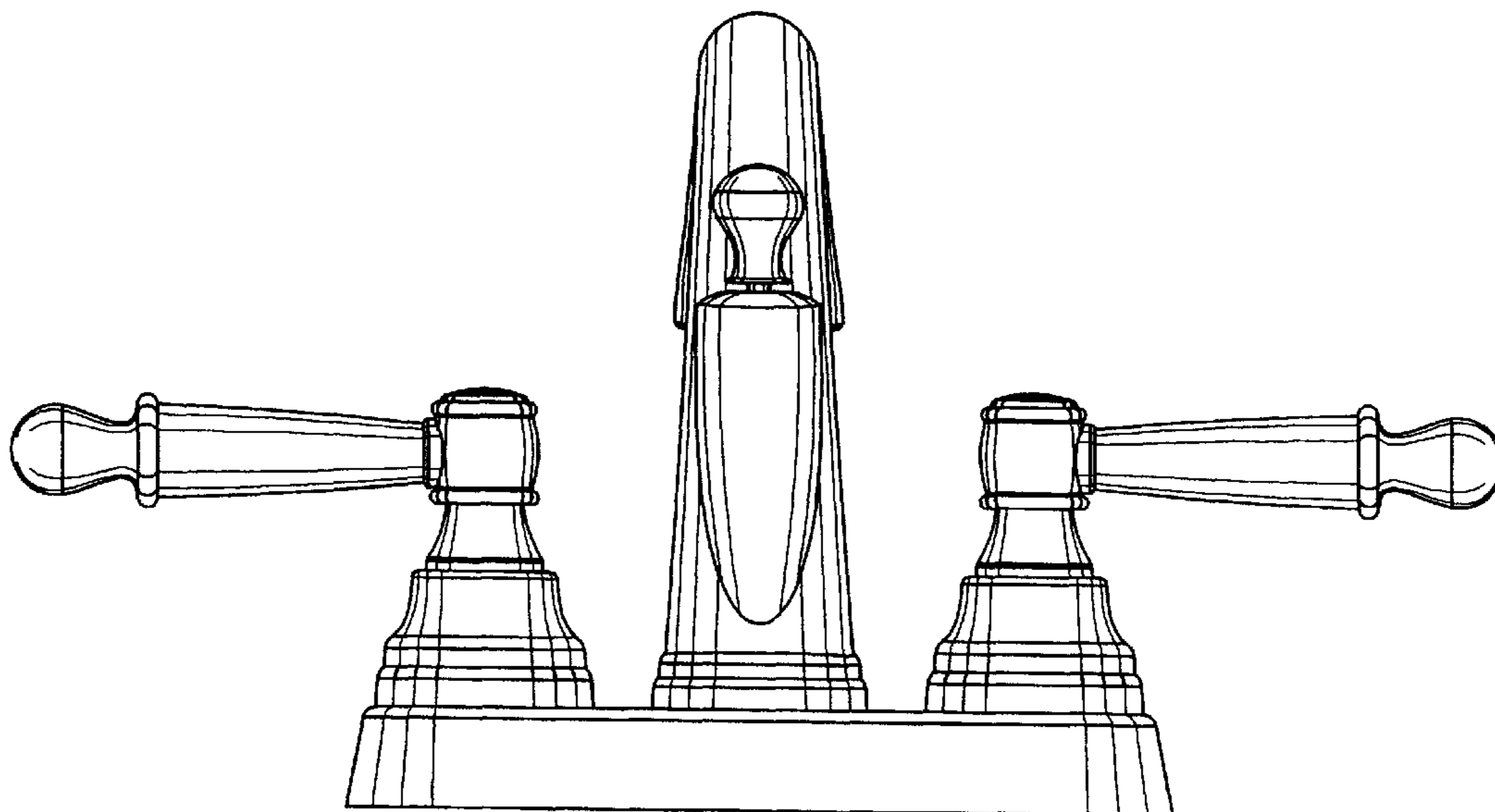


FIG. 3

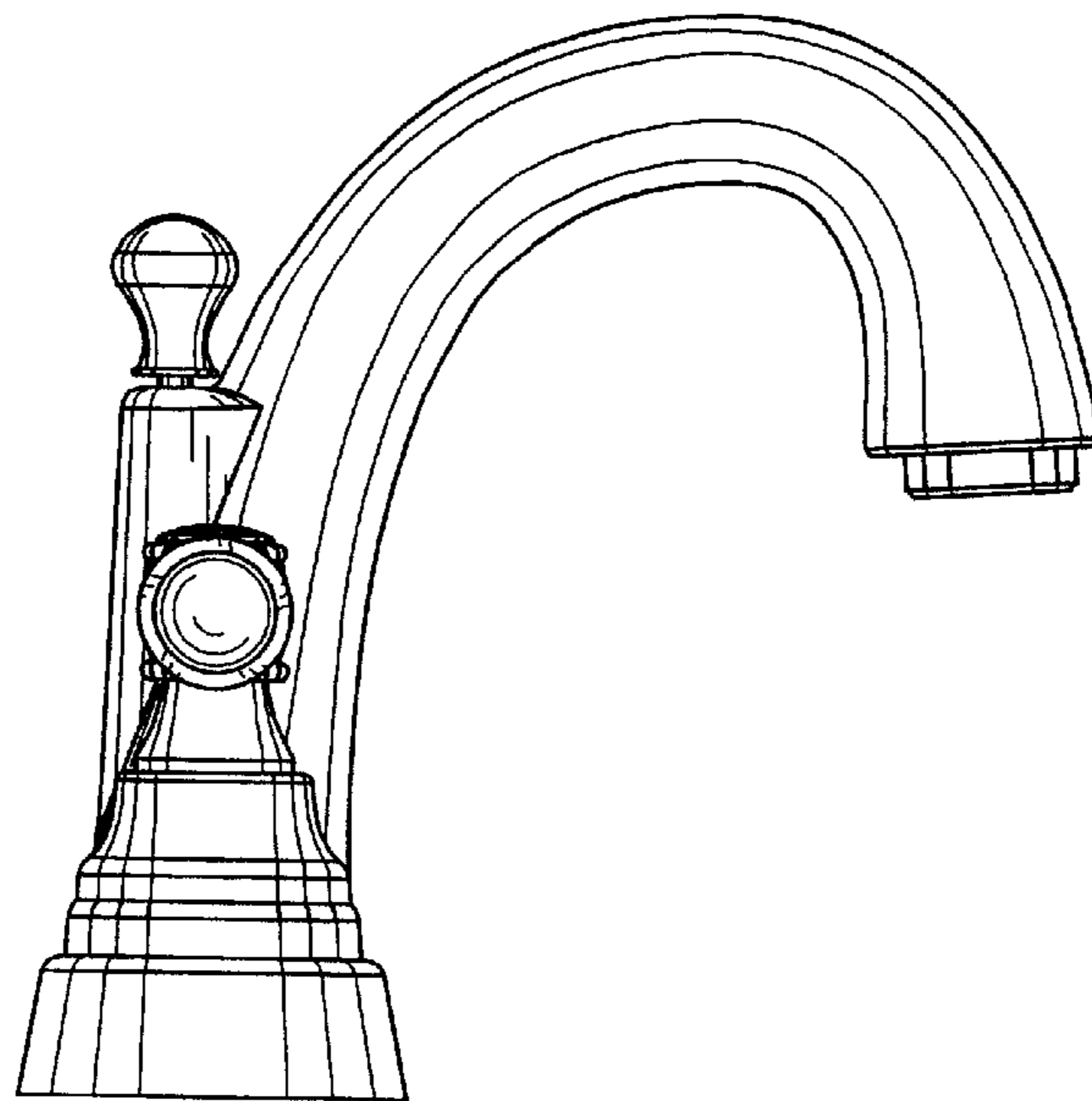


FIG. 4

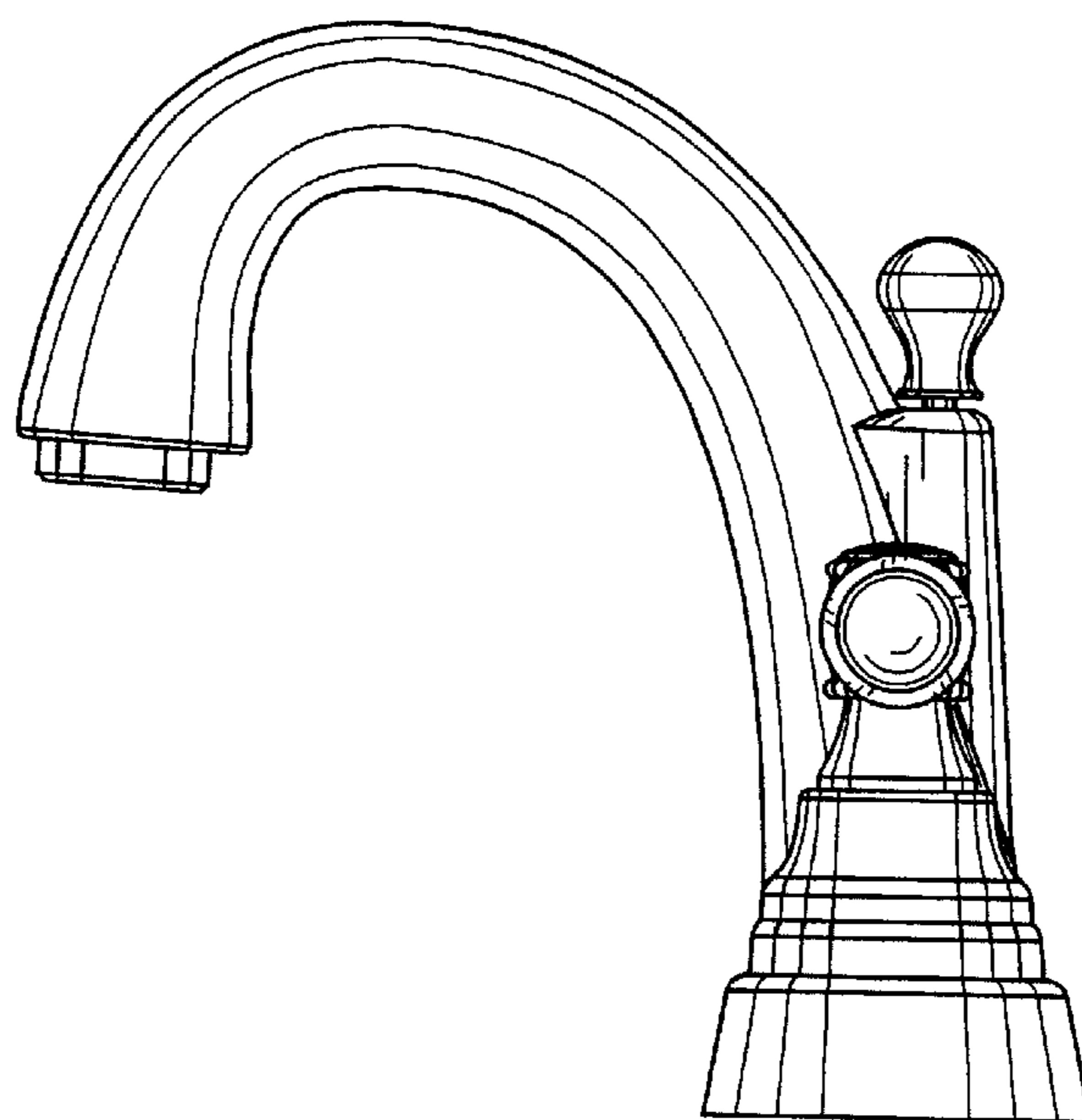


FIG. 5

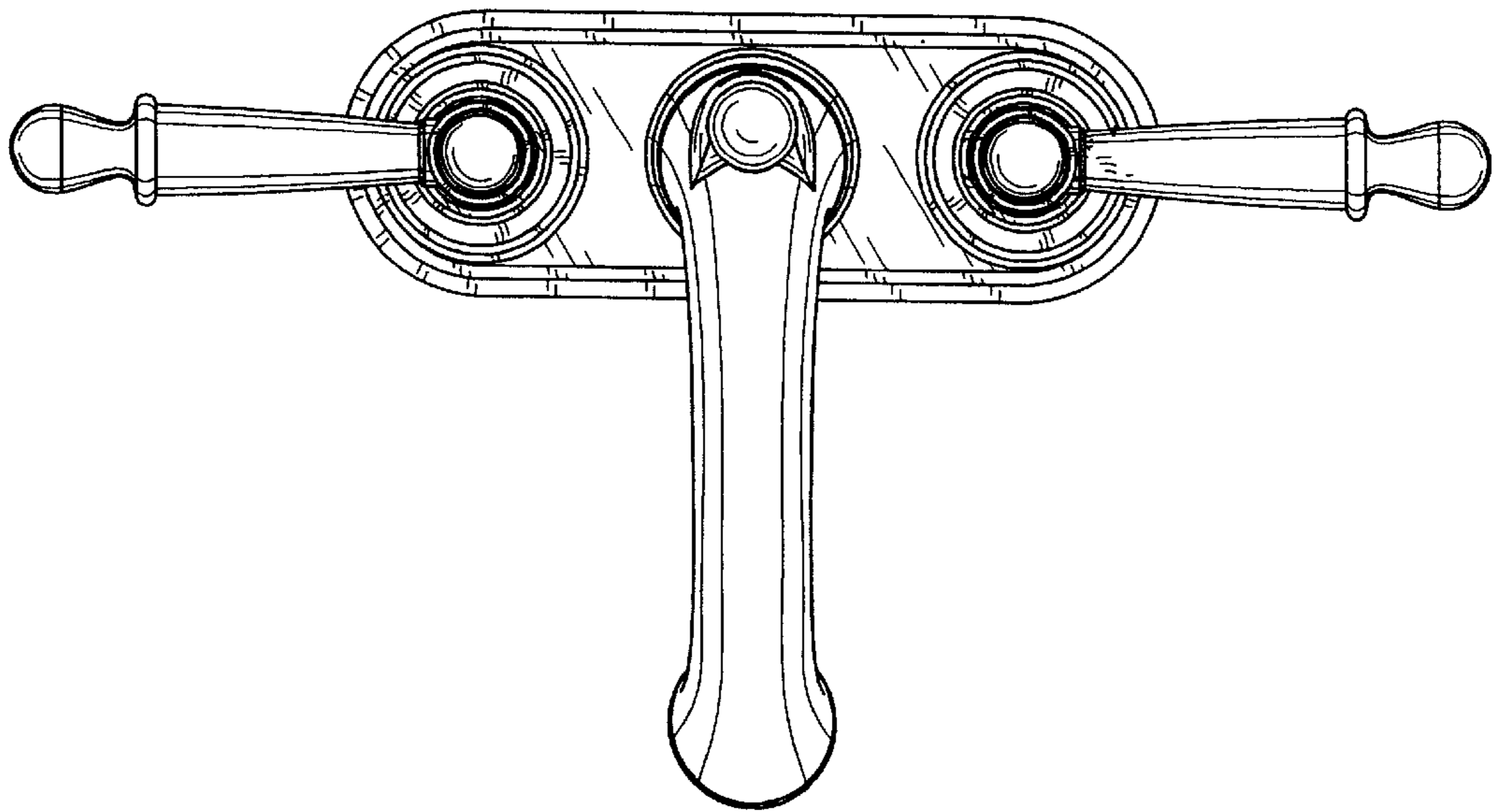


FIG. 6

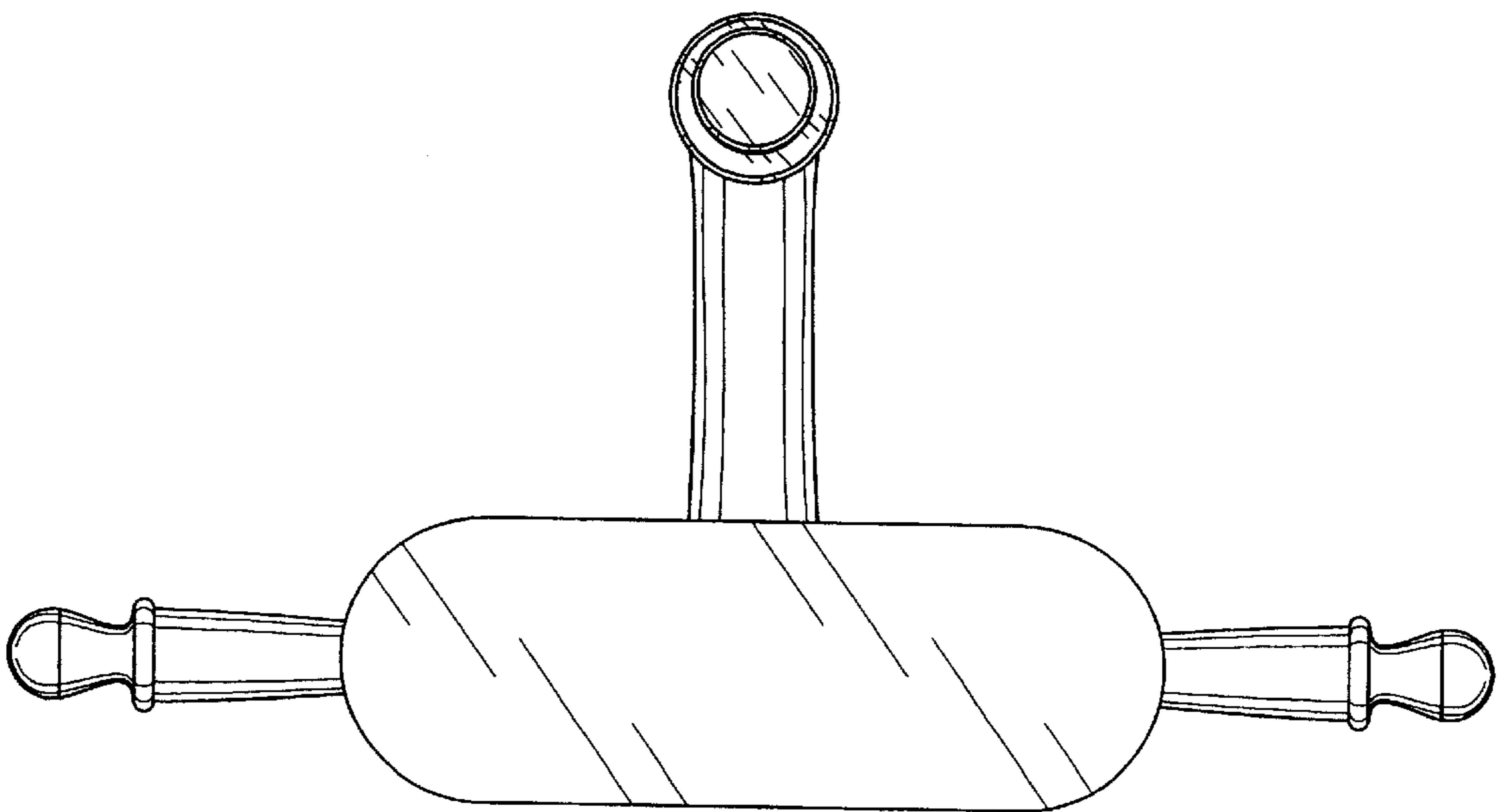


FIG. 7