



US00D529134S

(12) **United States Design Patent**  
**Massaud**

(10) **Patent No.:** **US D529,134 S**

(45) **Date of Patent:** **\*\* Sep. 26, 2006**

(54) **FAUCET**

(75) **Inventor:** **Jean Marie Massaud, Paris (FR)**

(73) **Assignee:** **Hansgrohe AG (DE)**

(\*\*) **Term:** **14 Years**

(21) **Appl. No.:** **29/239,090**

(22) **Filed:** **Sep. 26, 2005**

(30) **Foreign Application Priority Data**

Apr. 8, 2005 (EM) ..... 000324207-0002

(51) **LOC (8) Cl.** ..... **23-01**

(52) **U.S. Cl.** ..... **D23/238**

(58) **Field of Classification Search** ..... D23/238-257;  
4/675-678; 137/801

See application file for complete search history.

(56) **References Cited**

**U.S. PATENT DOCUMENTS**

D290,643 S \* 6/1987 Paul ..... D23/255  
D299,159 S \* 12/1988 Arnolds ..... D23/242  
D323,550 S \* 1/1992 Delepine ..... D23/257

D339,854 S \* 9/1993 Paulin et al. .... D23/255  
D341,190 S \* 11/1993 Pauls et al. .... D23/255  
D343,444 S \* 1/1994 Paulin et al. .... D23/238  
D443,339 S \* 6/2001 Mullenmeister ..... D23/238  
D509,565 S \* 9/2005 Starck ..... D23/238

\* cited by examiner

*Primary Examiner*—Louis S. Zarfaz

*Assistant Examiner*—Gregory Andoll

(74) *Attorney, Agent, or Firm*—Kwadjo Adusei-Poku;  
Lloyd D. Doigan

(57) **CLAIM**

The ornamental design for a faucet, as shown and described.

**DESCRIPTION**

FIG. 1 is a front perspective view of a faucet showing my design;

FIG. 2 is a right side elevational view thereof;

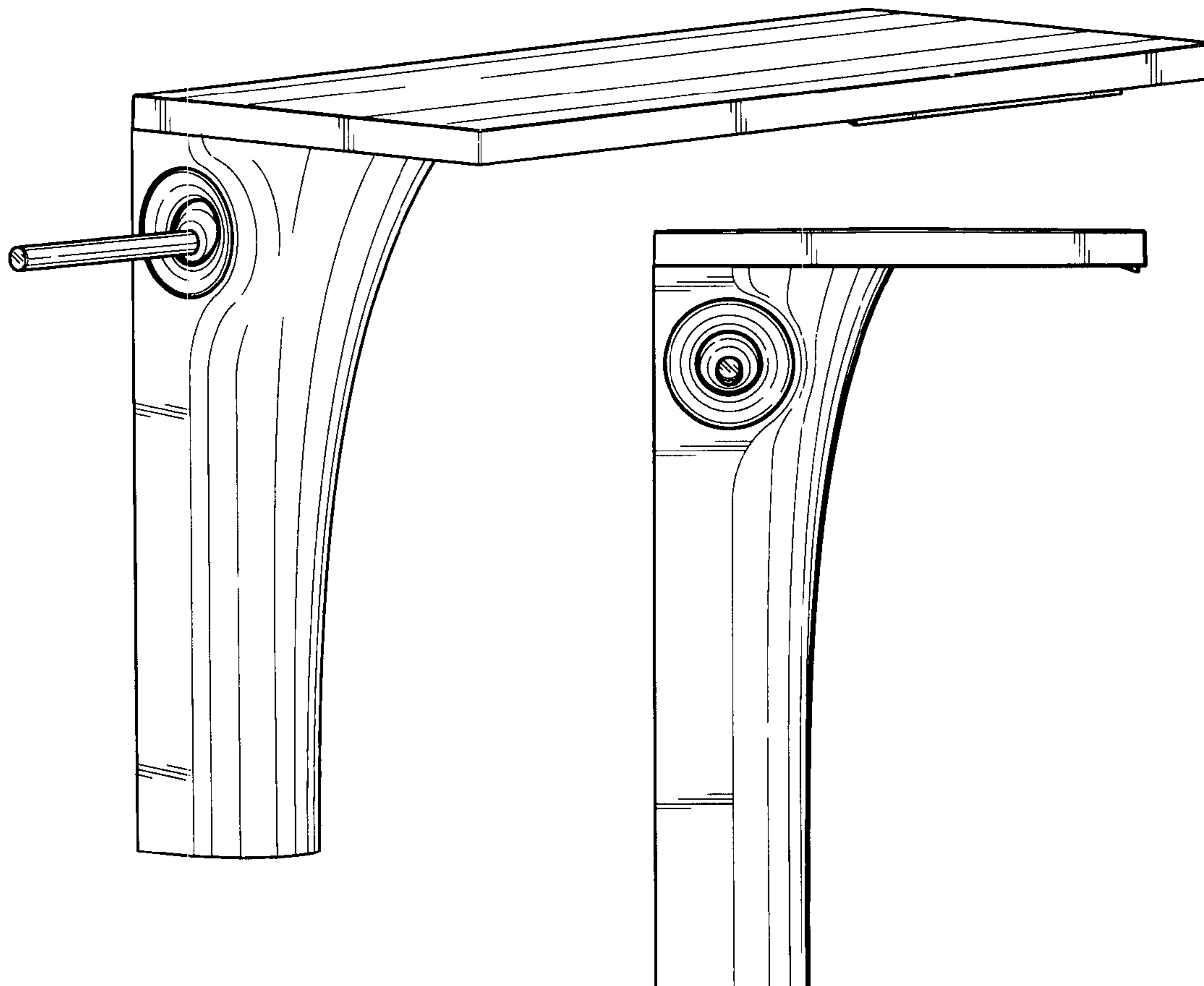
FIG. 3 is a left side elevational view thereof;

FIG. 4 is a front elevational view thereof;

FIG. 5 is a rear elevational view thereof; and,

FIG. 6 is a top plan view thereof.

**1 Claim, 5 Drawing Sheets**



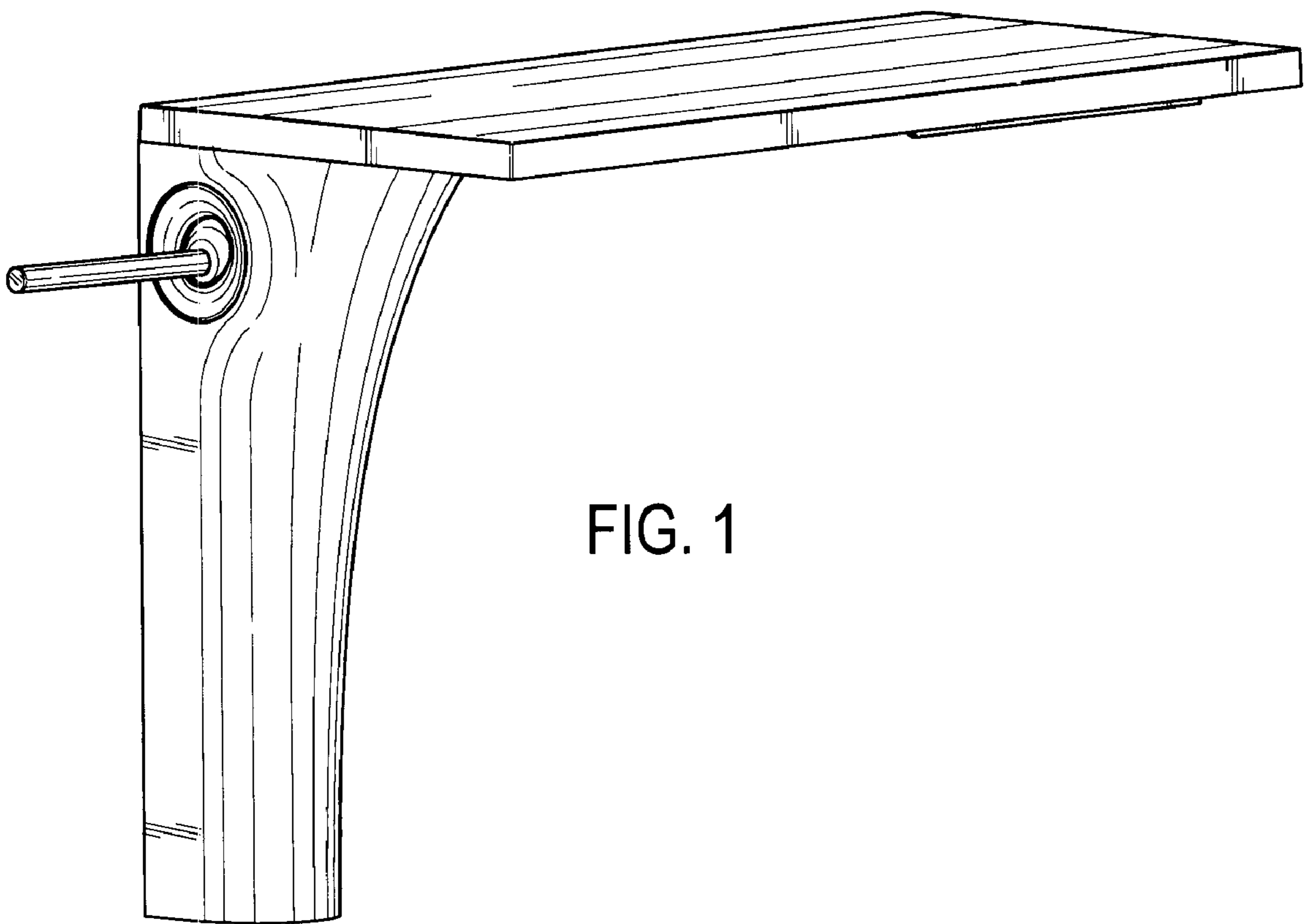


FIG. 1

FIG. 2

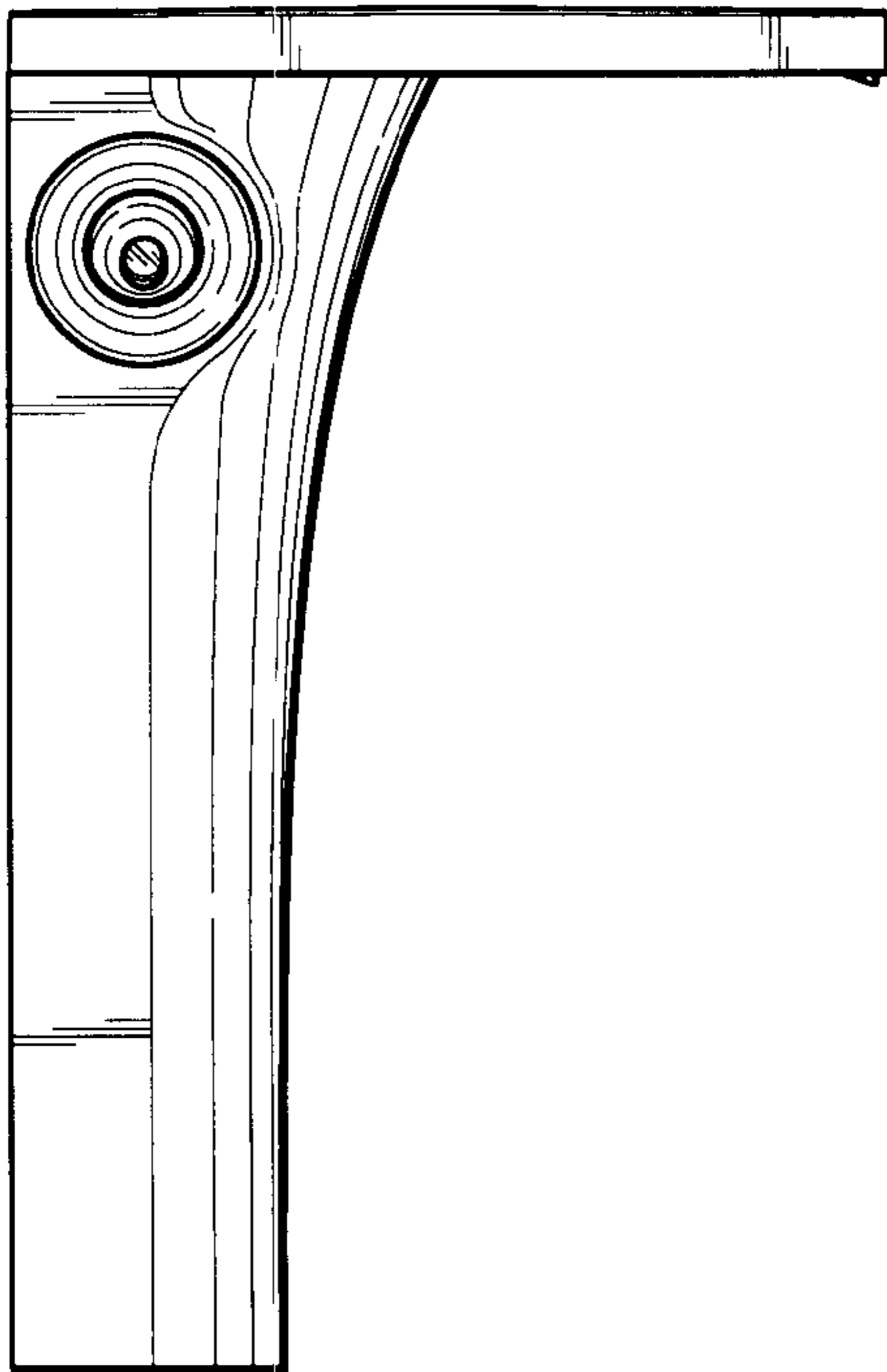


FIG. 3



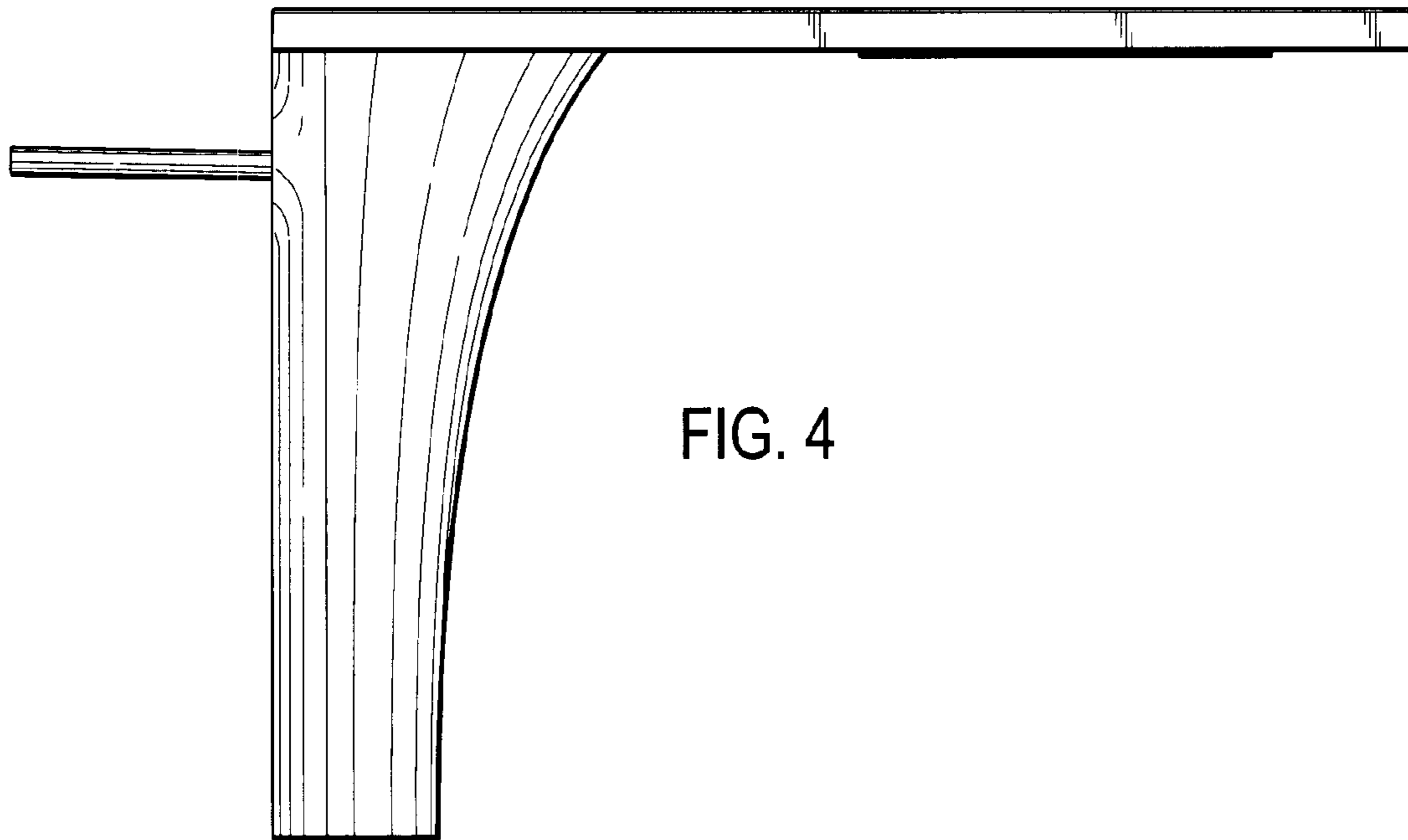


FIG. 4

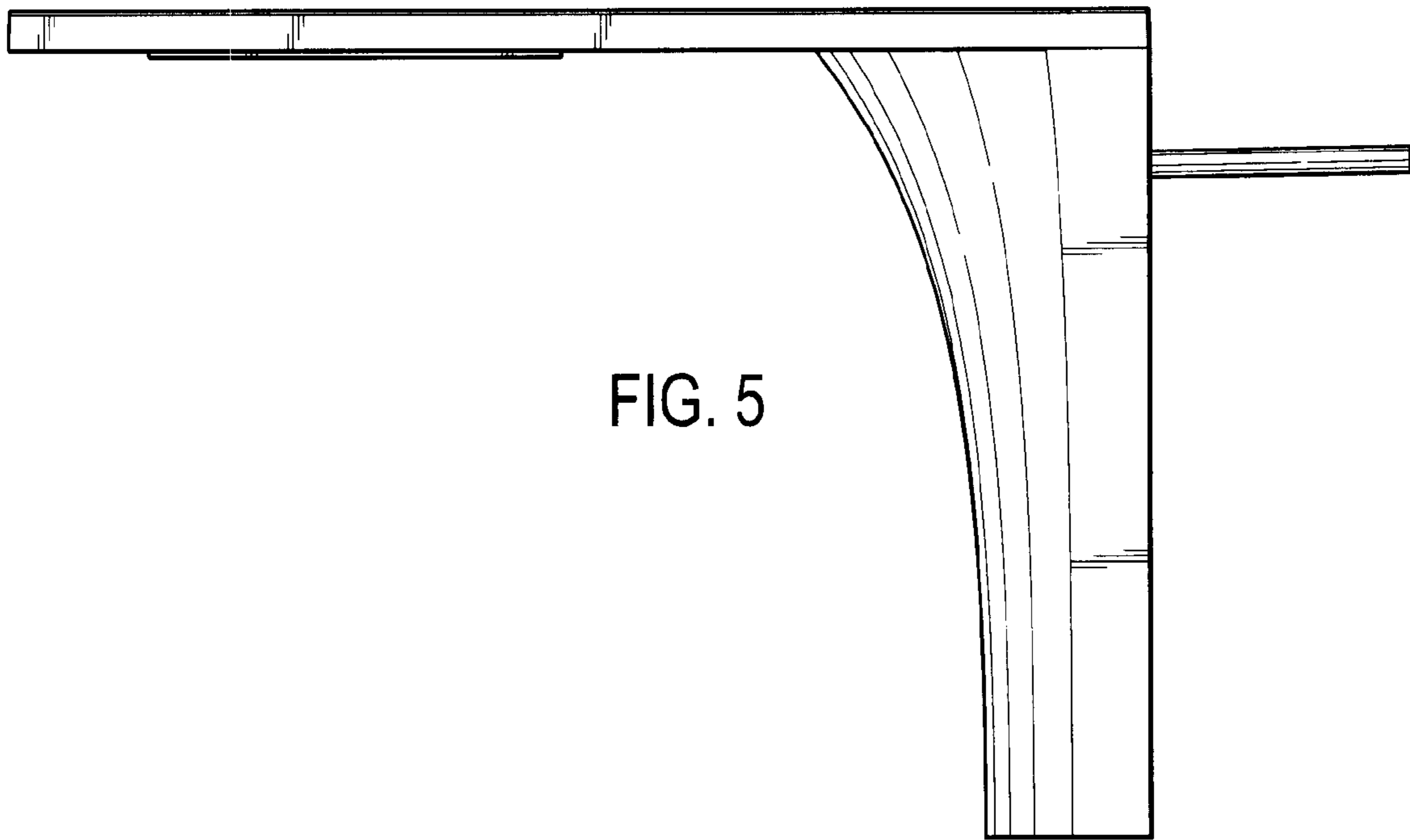


FIG. 5

