



US00D529133S

(12) **United States Design Patent**
Massaud

(10) **Patent No.:** **US D529,133 S**

(45) **Date of Patent:** **** Sep. 26, 2006**

(54) **FAUCET**

(75) **Inventor:** **Jean Marie Massaud**, Paris (FR)

(73) **Assignee:** **Hansgrohe AG** (DE)

(**) **Term:** **14 Years**

(21) **Appl. No.:** **29/239,088**

(22) **Filed:** **Sep. 26, 2005**

(30) **Foreign Application Priority Data**

Apr. 8, 2005 (EM) 000324207-0017

(51) **LOC (8) Cl.** **23-01**

(52) **U.S. Cl.** **D23/238**

(58) **Field of Classification Search** D23/238-257;
4/675-678; 137/801

See application file for complete search history.

(56) **References Cited**

U.S. PATENT DOCUMENTS

- D290,643 S * 6/1987 Paul D23/255
- D299,159 S * 12/1988 Arnolds D23/242
- D323,550 S * 1/1992 Delepine D23/257
- D339,854 S * 9/1993 Paulin et al. D23/255

- D341,190 S * 11/1993 Pauls et al. D23/255
- D343,444 S * 1/1994 Paulin et al. D23/238
- D443,339 S * 6/2001 Mullenmeister D23/238
- D509,565 S * 9/2005 Starck D23/238

* cited by examiner

Primary Examiner—Louis S. Zarfes

Assistant Examiner—Gregory Andoll

(74) *Attorney, Agent, or Firm*—Kwadjo Adusei-Poku;
Lloyd D. Doigan

(57) **CLAIM**

The ornamental design for a faucet, as shown and described.

DESCRIPTION

FIG. 1 is a front perspective view of a faucet showing my design;

FIG. 2 is a right side elevational view thereof; the left side elevational view being a mirror image thereof;

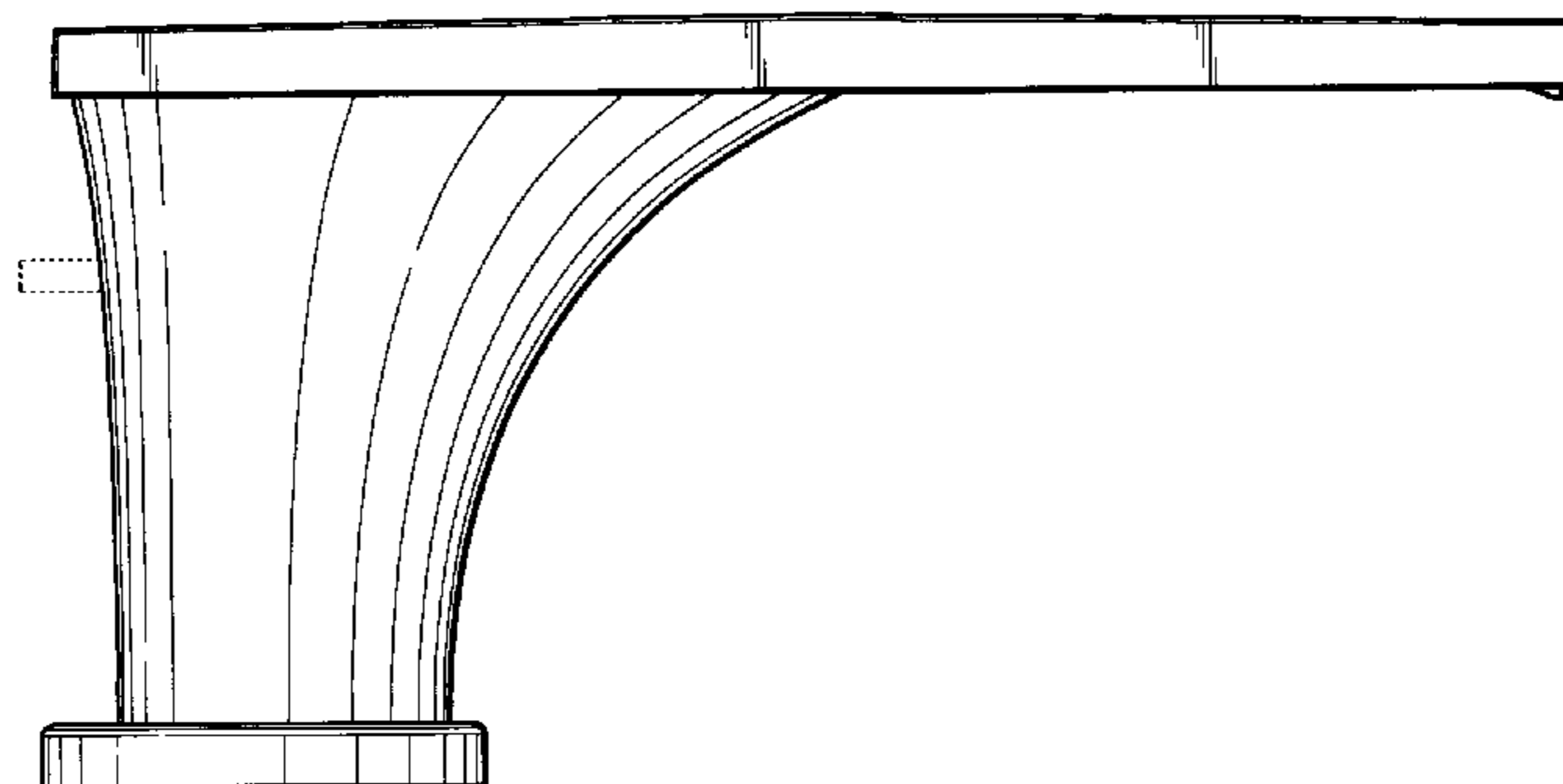
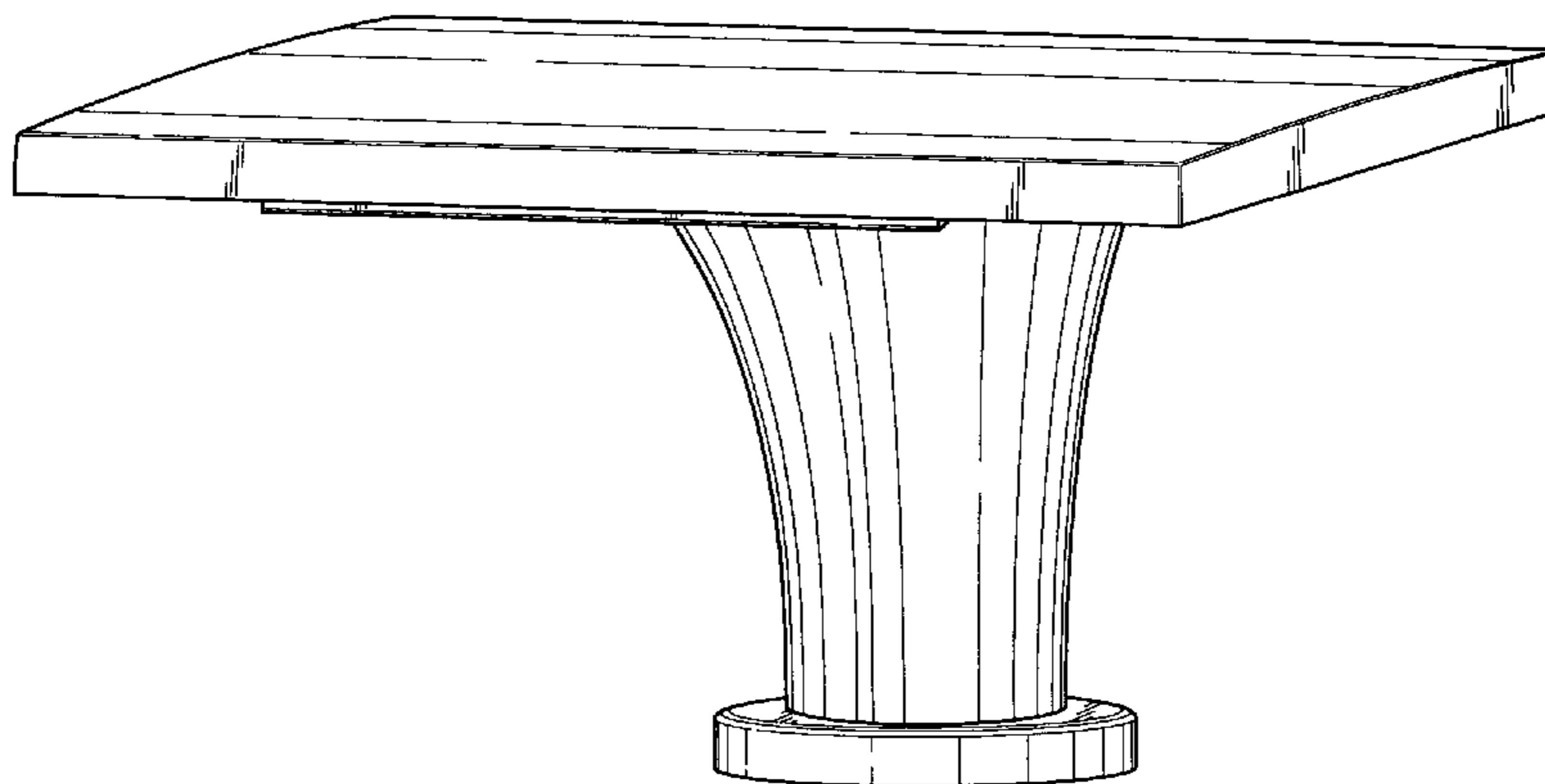
FIG. 3 is a front elevational view thereof;

FIG. 4 is a top elevational view thereof; and,

FIG. 5 is a rear elevational view thereof.

The broken lines in the Figures are for illustrative purposes only and form no part of the claimed design.

1 Claim, 4 Drawing Sheets



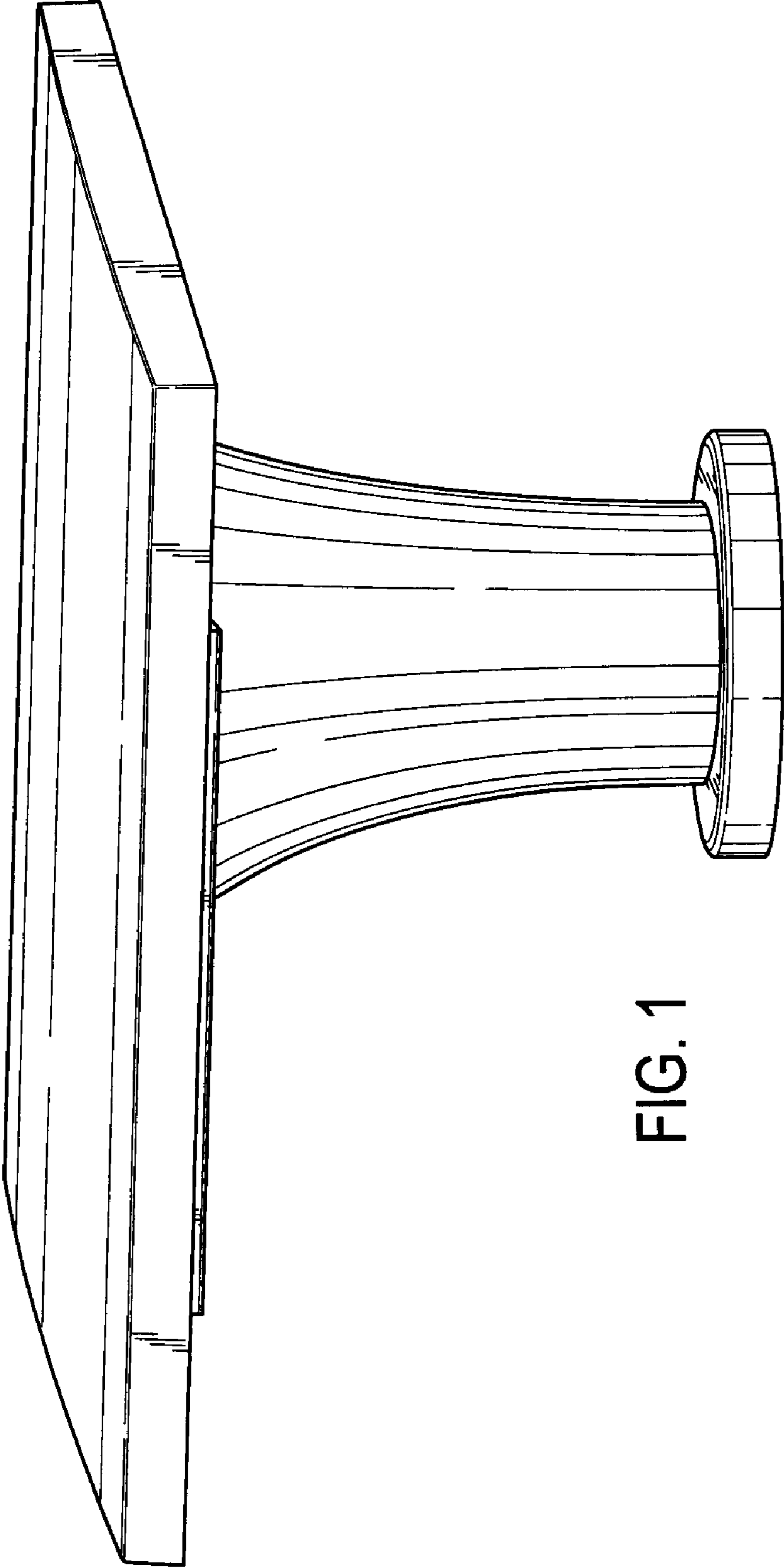


FIG. 1

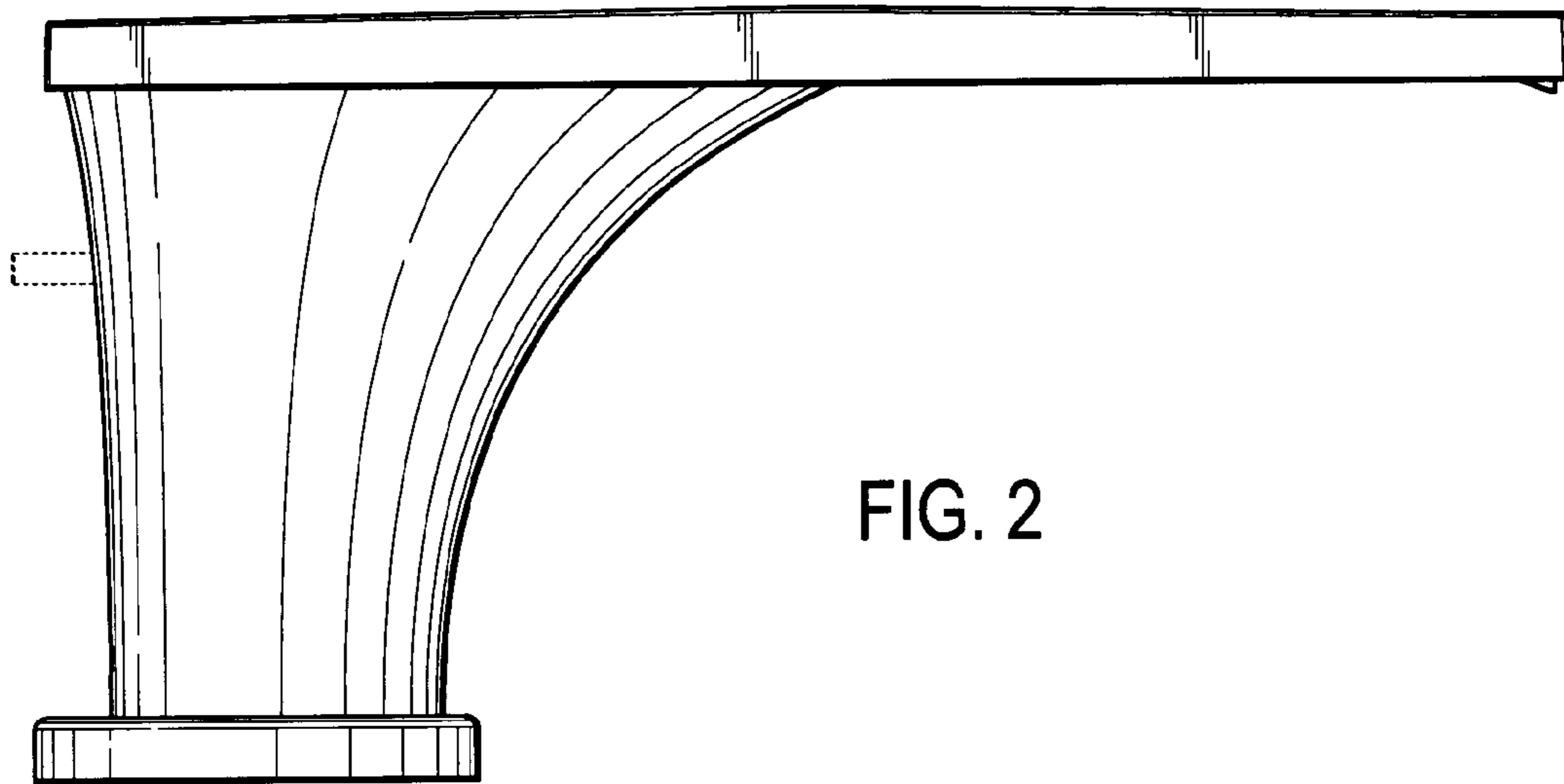
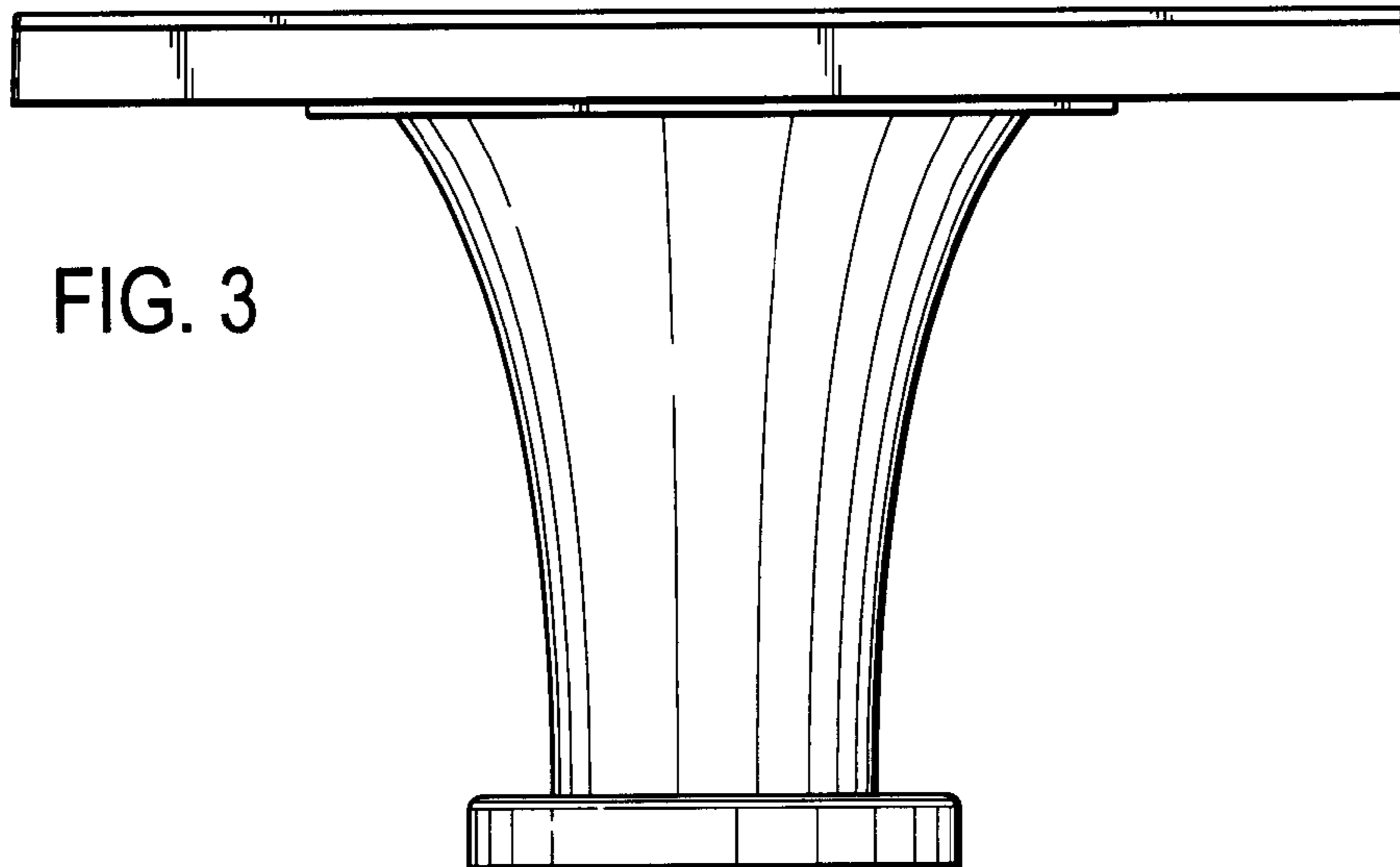


FIG. 2



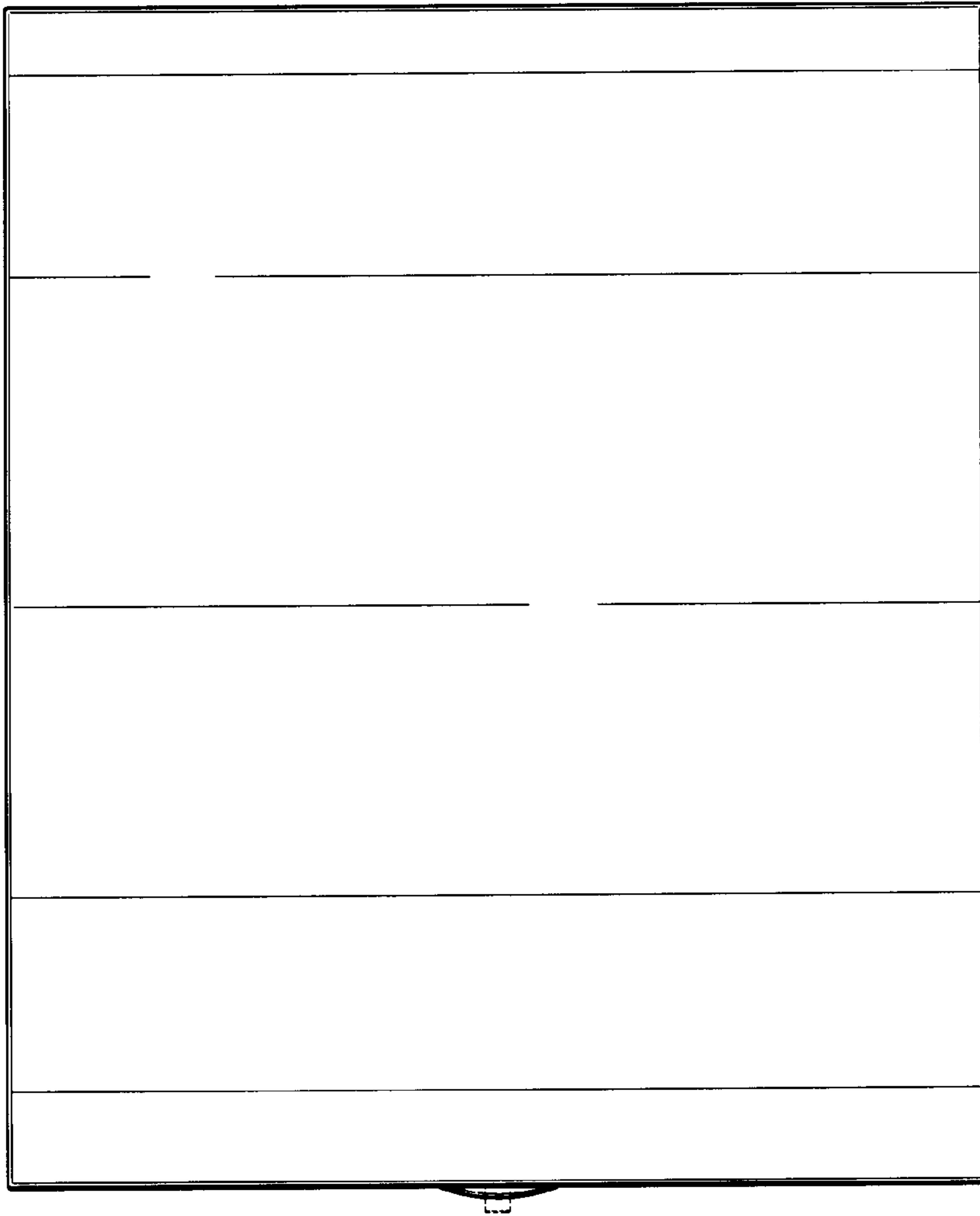


FIG. 4

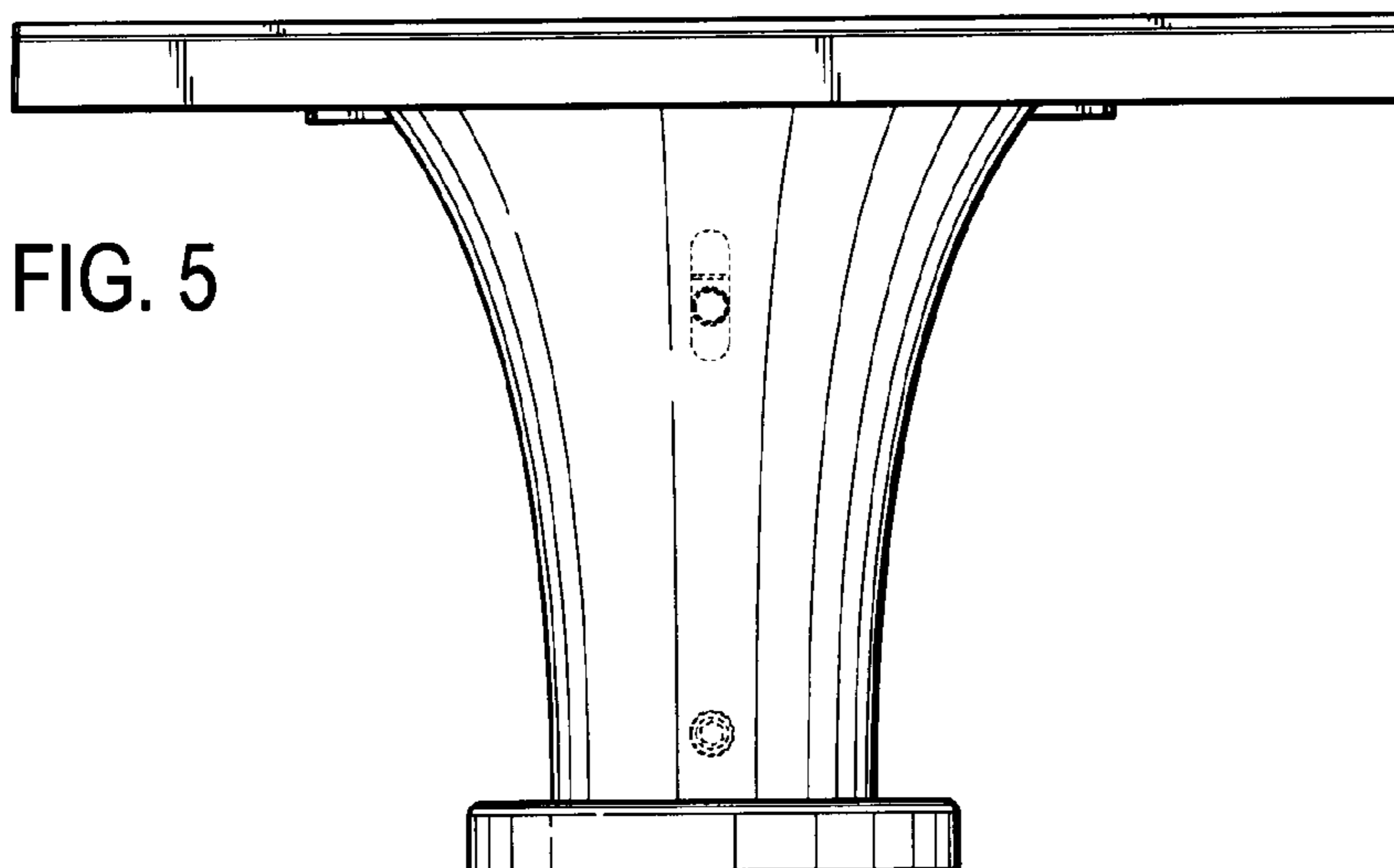


FIG. 5