

US00D529132S

(12) **United States Design Patent**  
**Haug et al.**

(10) **Patent No.:** **US D529,132 S**

(45) **Date of Patent:** **\*\* Sep. 26, 2006**

(54) **FAUCET**

(75) Inventors: **Andreas Haug**, Stuttgart (DE); **Tom Schonherr**, Stuttgart (DE); **Andreas Dimitriadis**, Lorch (DE); **Johann Duck**, Stuttgart (DE)

(73) Assignee: **Hansgrohe AG** (DE)

(\*\*) Term: **14 Years**

(21) Appl. No.: **29/232,729**

(22) Filed: **Jun. 23, 2005**

(30) **Foreign Application Priority Data**

Dec. 23, 2004 (EM) ..... 000273586-0001

(51) **LOC (8) Cl.** ..... **23-01**

(52) **U.S. Cl.** ..... **D23/238; D23/255**

(58) **Field of Classification Search** ..... D23/238-257;  
4/675-678; 137/801

See application file for complete search history.

(56) **References Cited**

**U.S. PATENT DOCUMENTS**

D227,761 S	*	7/1973	Arbon	.....	D23/238
D291,232 S	*	8/1987	Haug et al.	.....	D23/238
D301,162 S	*	5/1989	Oberdorfer	.....	D23/238
D313,464 S	*	1/1991	Di Maggio	.....	D23/238
D324,904 S	*	3/1992	Haug et al.	.....	D23/238
D354,336 S	*	1/1995	Delabie et al.	.....	D23/238

D360,678 S	*	7/1995	Mine	.....	D23/238
D417,906 S	*	12/1999	Mullenmeister	.....	D23/238
D420,430 S	*	2/2000	Lobermeier	.....	D23/238
D441,429 S	*	5/2001	Mullenmeister	.....	D23/238
D466,977 S	*	12/2002	Cummings	.....	D23/238
D479,581 S	*	9/2003	Haug et al.	.....	D23/238
D486,560 S	*	2/2004	Spangler	.....	D23/255
D487,133 S	*	2/2004	Haug et al.	.....	D23/238
D513,060 S	*	12/2005	Ouyoung	.....	D23/238
D517,647 S	*	3/2006	Kulig	.....	D23/238

\* cited by examiner

*Primary Examiner*—Louis S. Zarfes

*Assistant Examiner*—Gregory Andoll

(74) *Attorney, Agent, or Firm*—Kwadjo Adusei-Poku; Lloyd D. Doigan

(57) **CLAIM**

The ornamental design for a faucet, as shown and described.

**DESCRIPTION**

FIG. 1 is a front perspective view of a faucet showing our design;

FIG. 2 is a top plan view thereof;

FIG. 3 is a left side elevational view thereof;

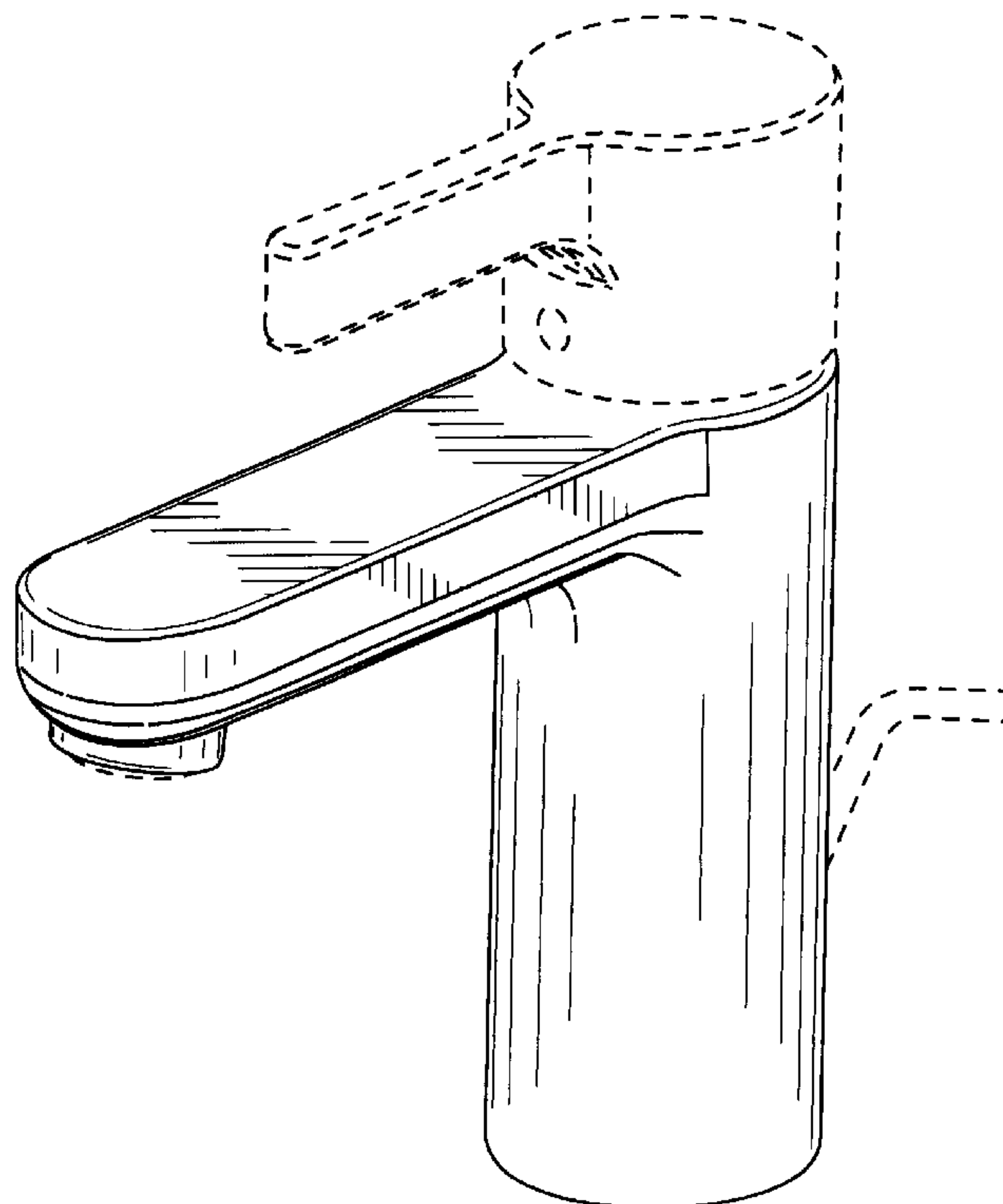
FIG. 4 is a right side elevational view thereof;

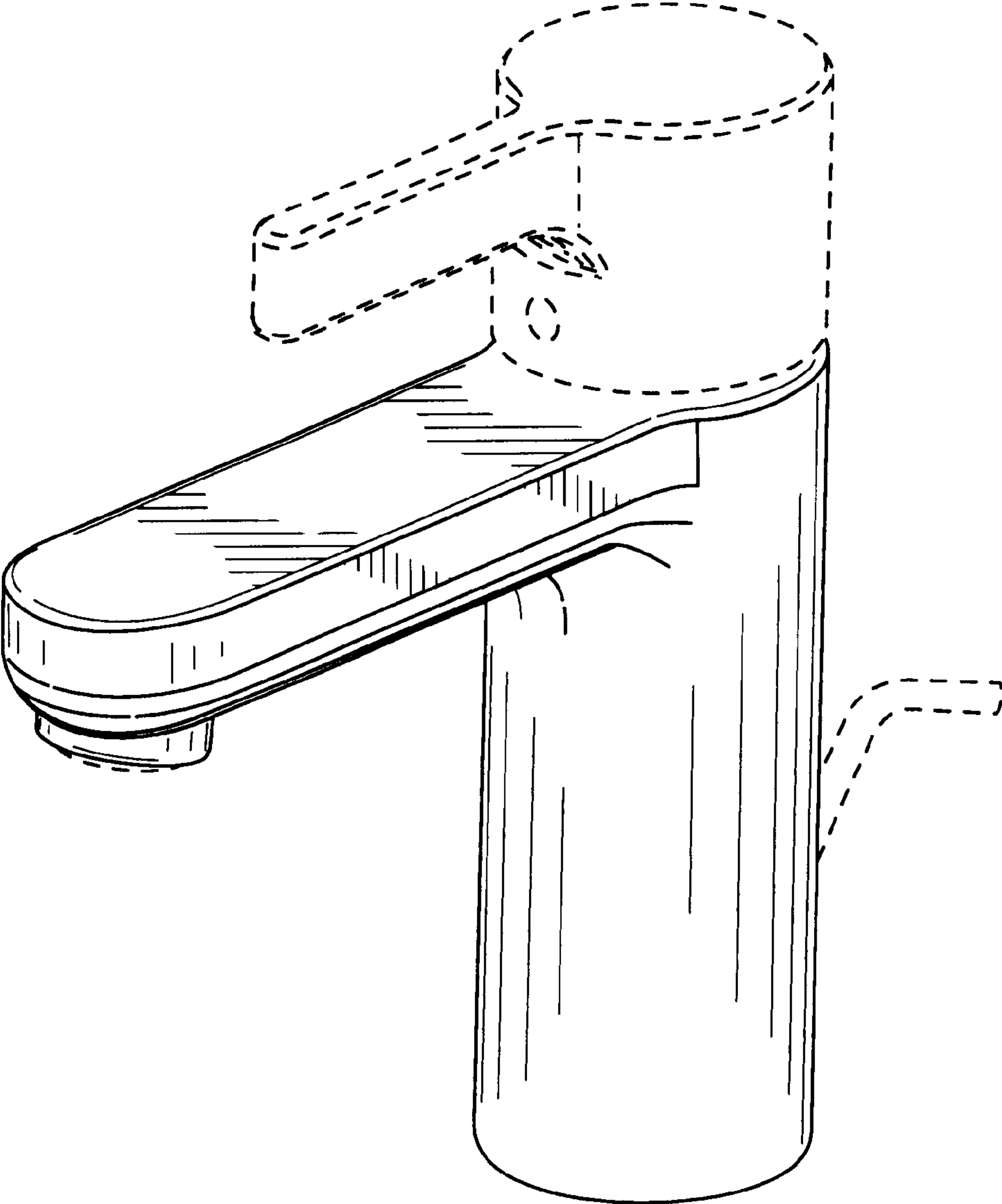
FIG. 5 is a front elevational view thereof; and,

FIG. 6 is a rear elevational view thereof.

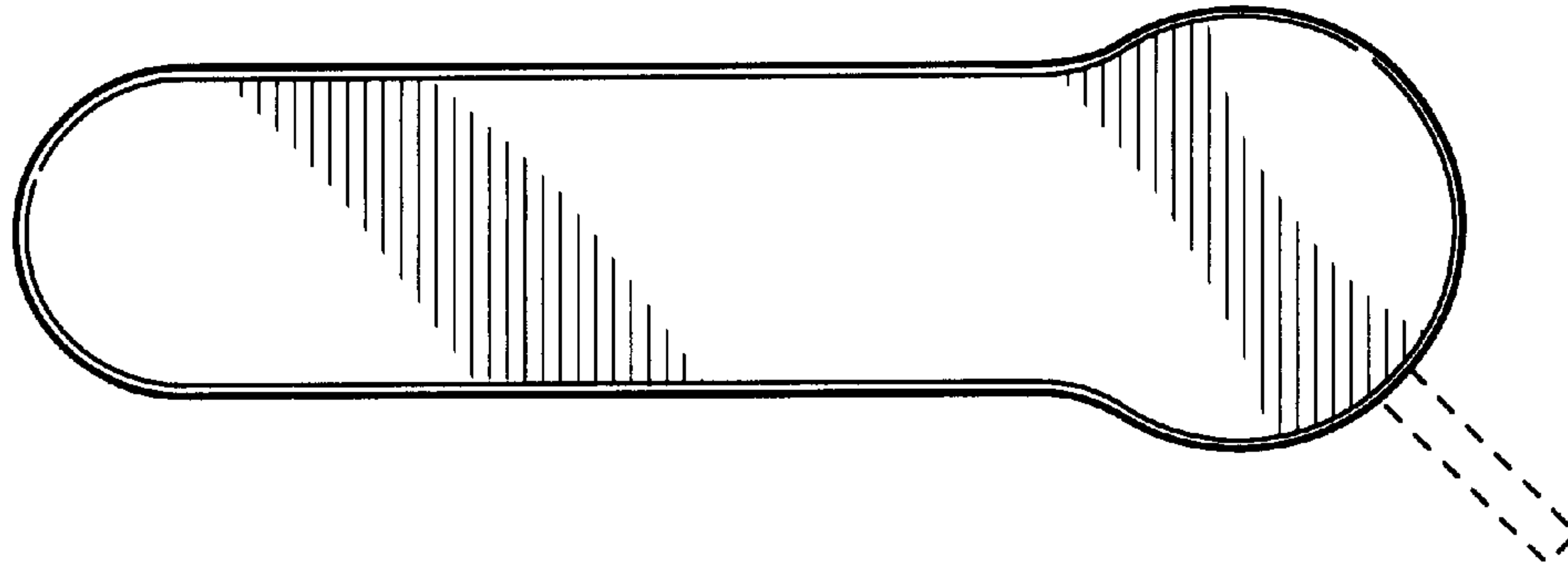
The broken lines in the Figures are for illustrative purposes only and form no part of the claimed design.

**1 Claim, 4 Drawing Sheets**

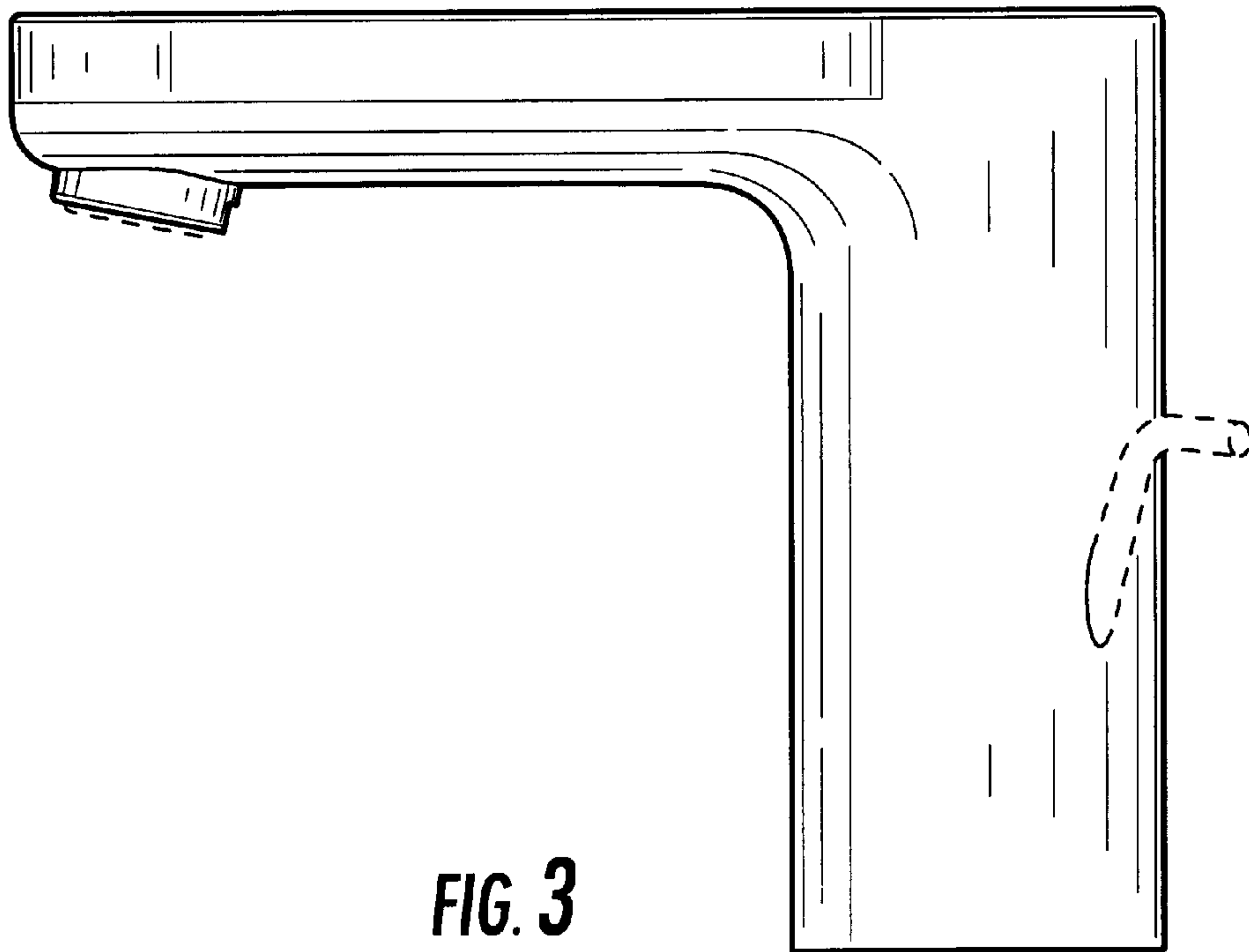




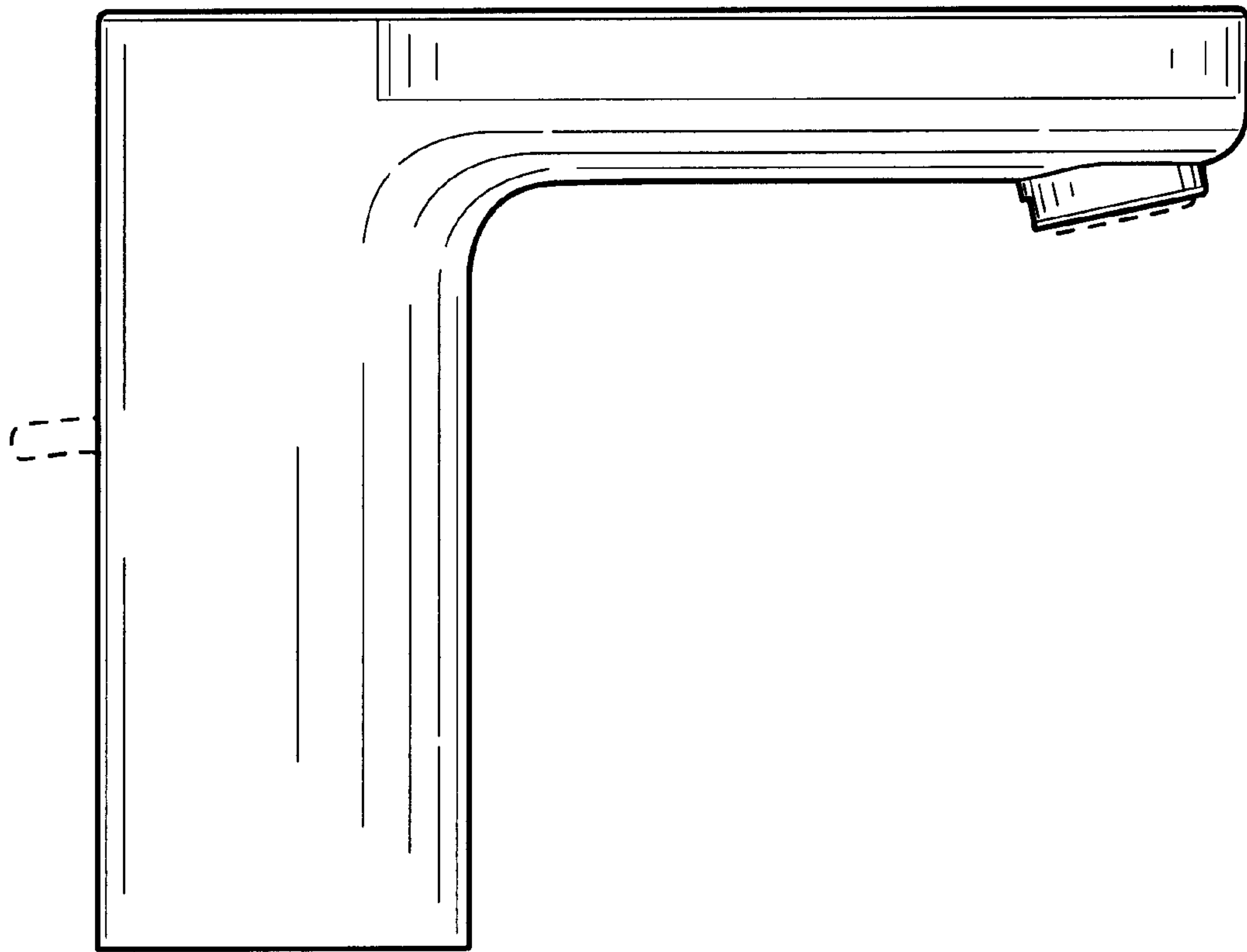
**FIG. 1**



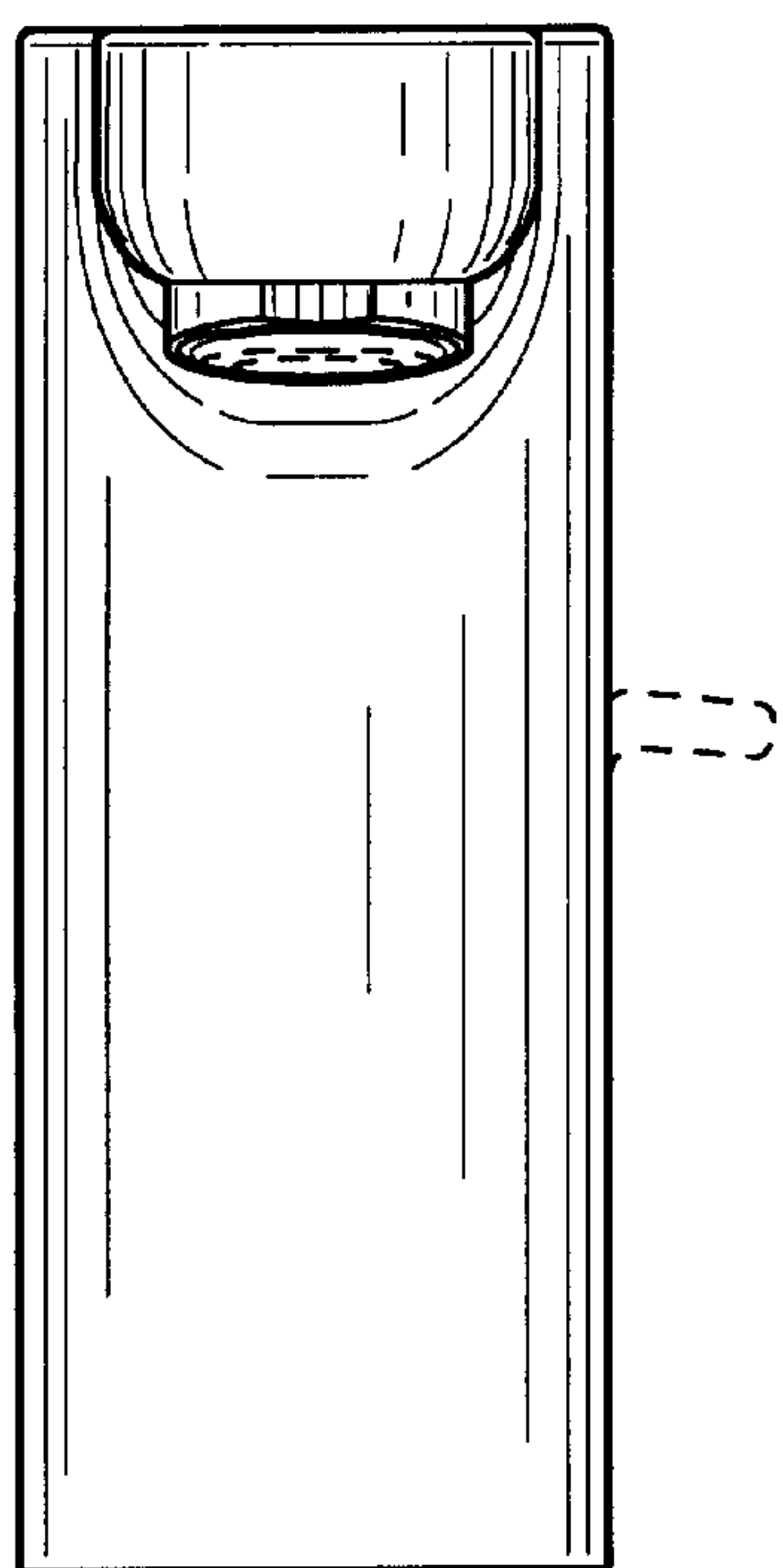
**FIG. 2**



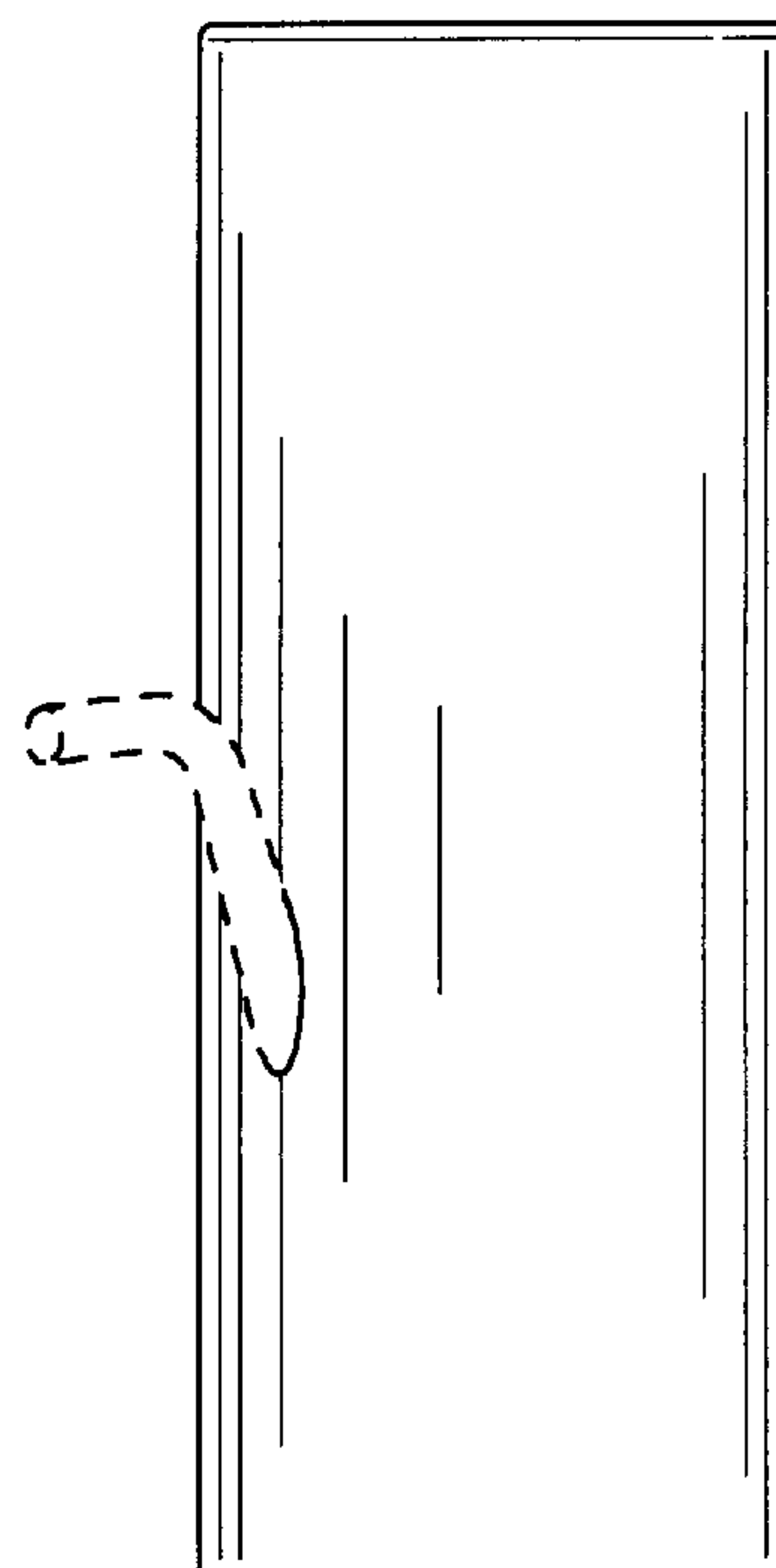
**FIG. 3**



**FIG. 4**



**FIG. 5**



**FIG. 6**