



US00D529130S

(12) **United States Design Patent**
Landolfi

(10) **Patent No.:** **US D529,130 S**

(45) **Date of Patent:** **** Sep. 26, 2006**

(54) **WATER FLOW SHOWER VALVE**

(76) **Inventor:** **Mario Landolfi**, 1907 Mulford Ave.,
Bronx, NY (US) 10461

(**) **Term:** **14 Years**

(21) **Appl. No.:** **29/228,522**

(22) **Filed:** **Apr. 25, 2005**

(51) **LOC (8) Cl.** **23-01**

(52) **U.S. Cl.** **D23/233**

(58) **Field of Classification Search** D23/233-237,
D23/244-249; 251/192, 309, 366, 148, 152;
137/240, 412, 801; 239/396, 569, 575, 583
See application file for complete search history.

(56) **References Cited**

U.S. PATENT DOCUMENTS

2,448,792	A	9/1948	Fraser	
2,559,894	A	7/1951	Nordoll	
3,779,513	A	* 12/1973	Levine	251/309
3,836,083	A	9/1974	Bell	
4,244,526	A	1/1981	Arth	
4,262,880	A	* 4/1981	Danko et al.	251/288
D273,034	S	* 3/1984	Higgins	D23/245

D285,478	S	* 9/1986	Hengesbach	D23/245
D297,254	S	* 8/1988	Odate et al.	D23/248
D326,896	S	6/1992	McNeely	
D372,073	S	* 7/1996	Ozaki et al.	D23/245
6,279,604	B1	8/2001	Korb et al.	

* cited by examiner

Primary Examiner—Louis S. Zarfaz
Assistant Examiner—Maurice Stevens

(57) **CLAIM**

The ornamental design for a water flow shower valve, as shown and described.

DESCRIPTION

FIG. 1 is a front view of a water flow shower valve showing my new design.

FIG. 2 is a rear view of the water flow shower valve.

FIG. 3 is a right side view of the water flow shower valve.

FIG. 4 is a left side view of the water flow shower valve.

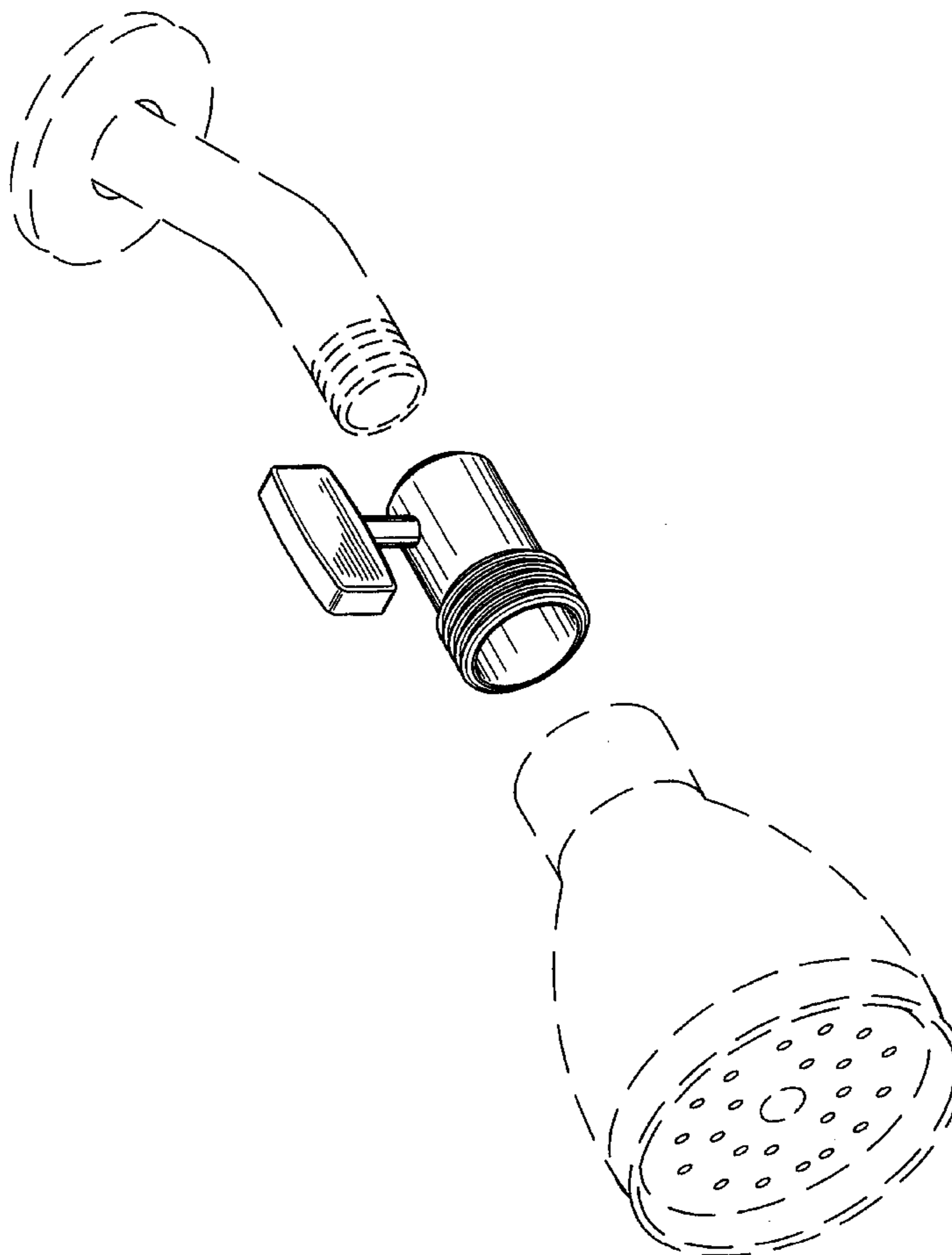
FIG. 5 is a top view of the water flow shower valve.

FIG. 6 is a bottom view of the water flow shower valve; and,

FIG. 7 is a perspective view of the water flow shower valve.

The broken lines shown in FIGS. 7 are for illustrative purposes only and form no part of the claimed design.

1 Claim, 3 Drawing Sheets



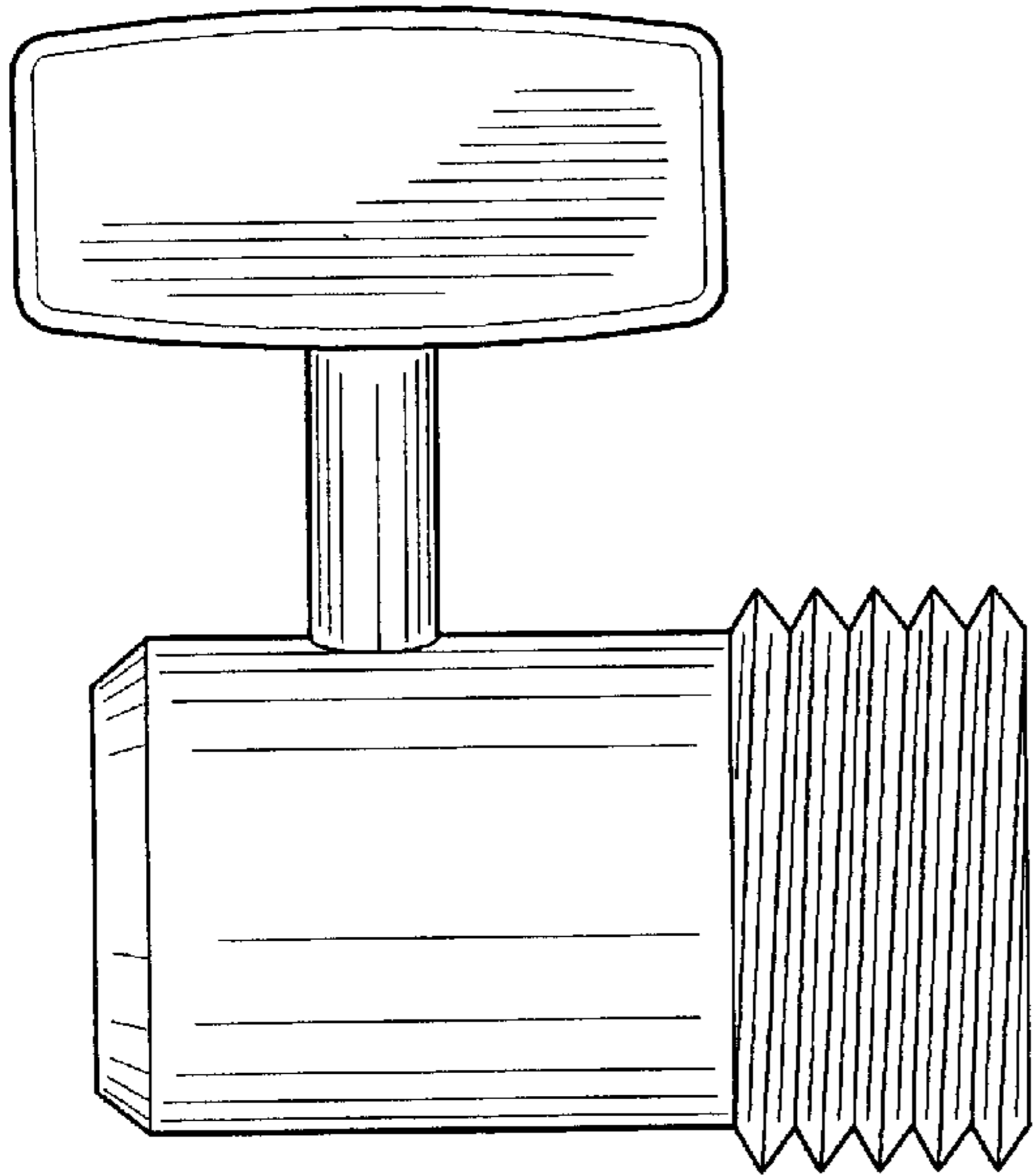


FIG. 1

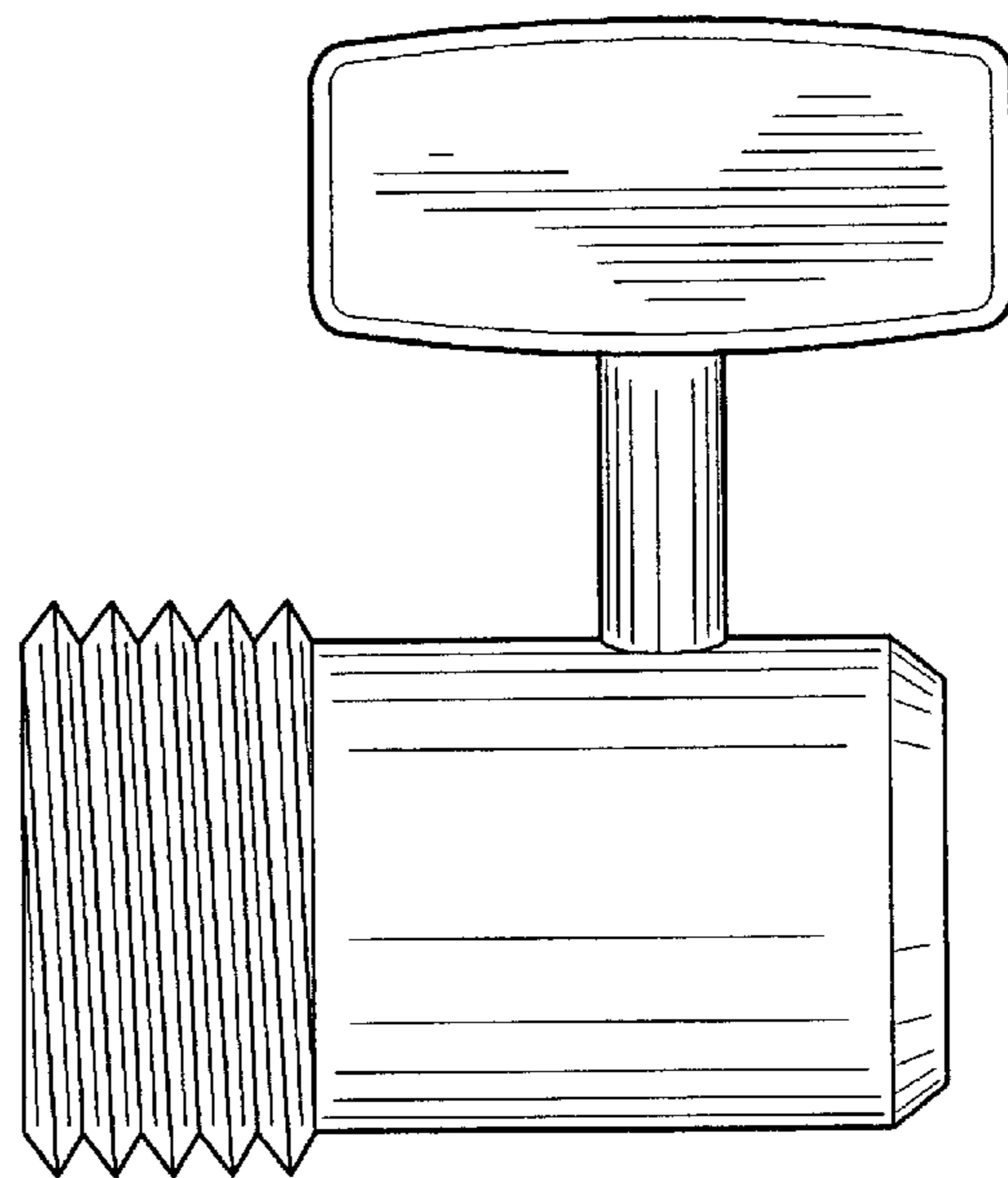


FIG. 2

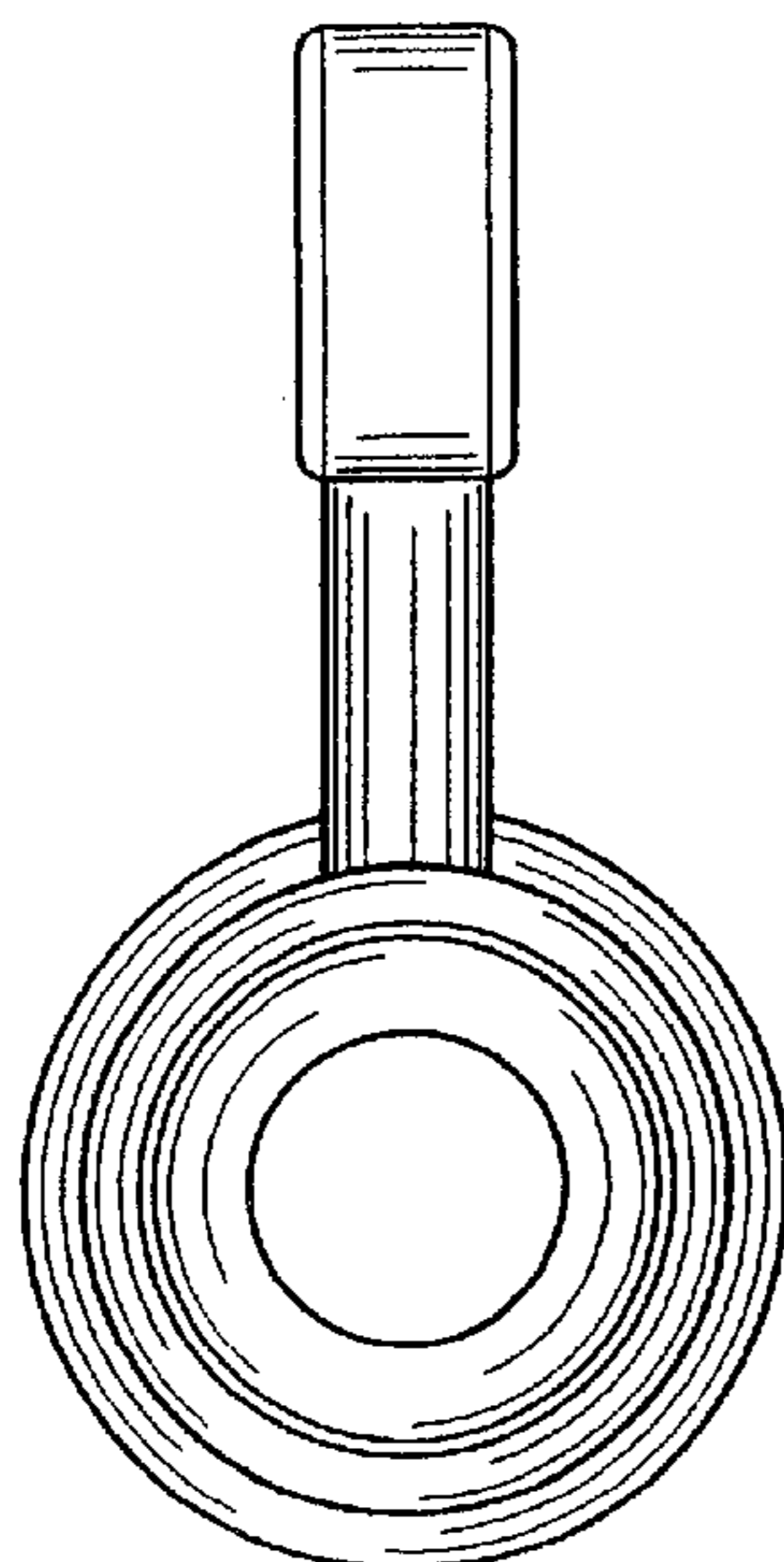


FIG. 3

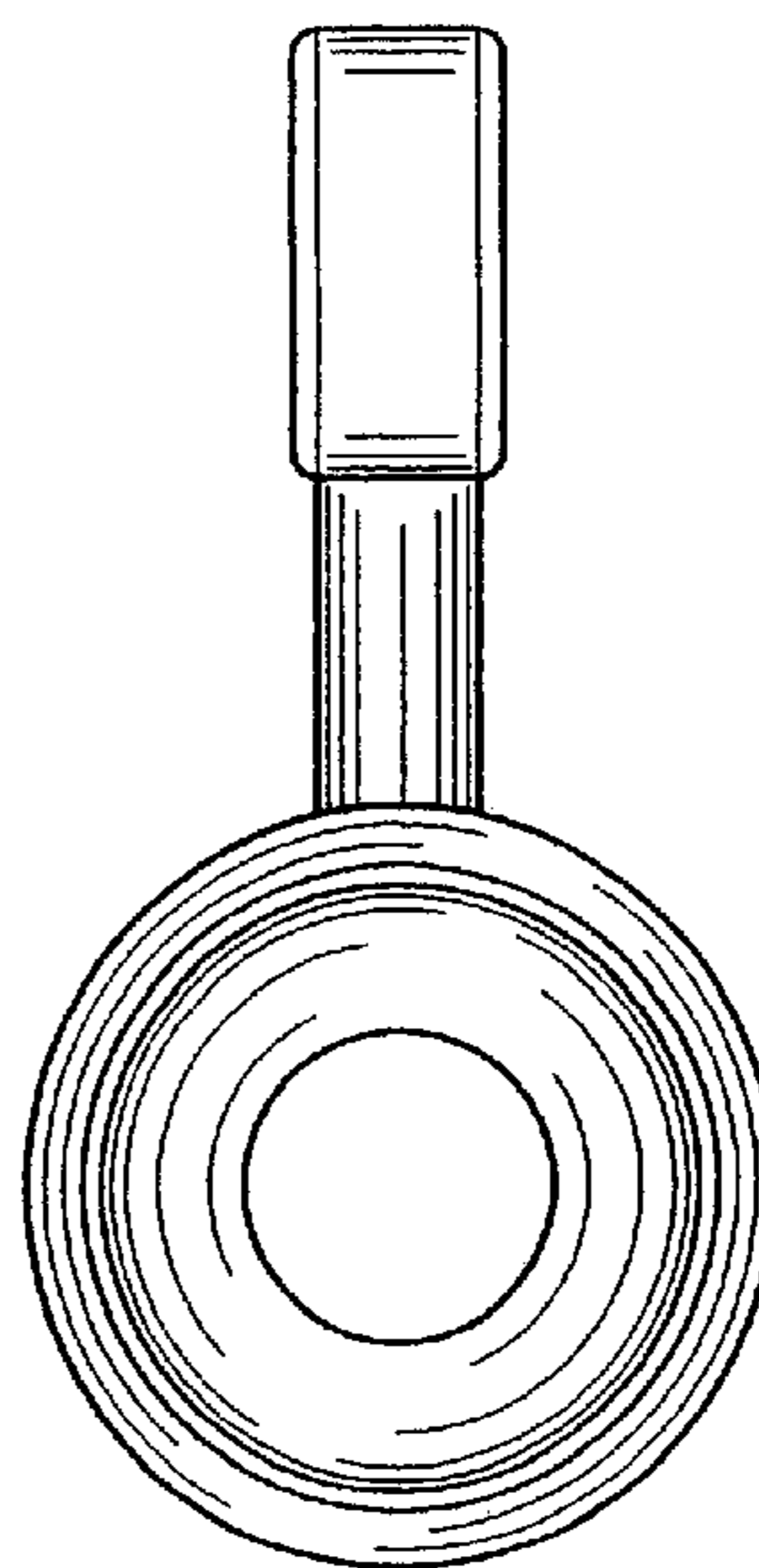


FIG. 4

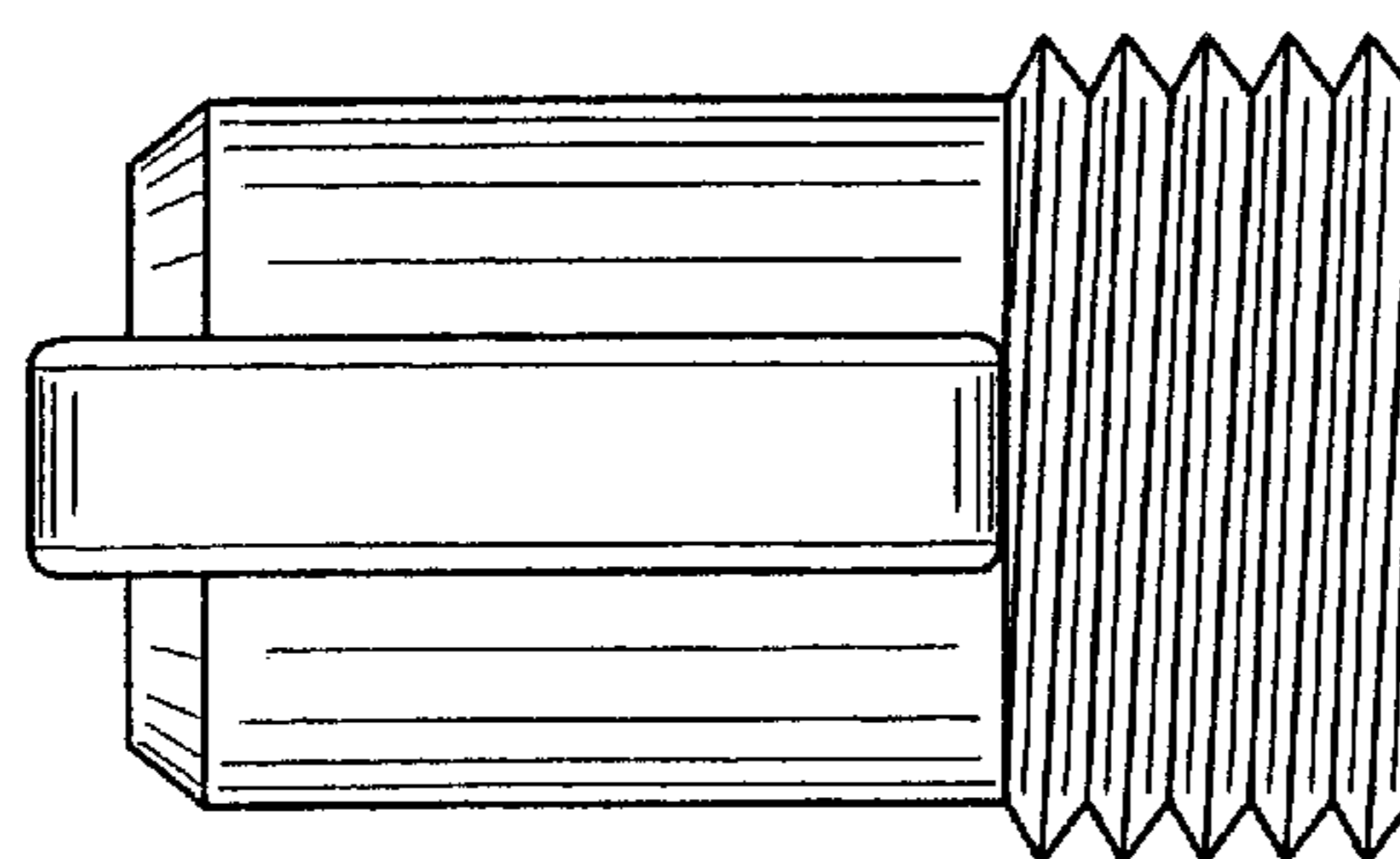


FIG. 5

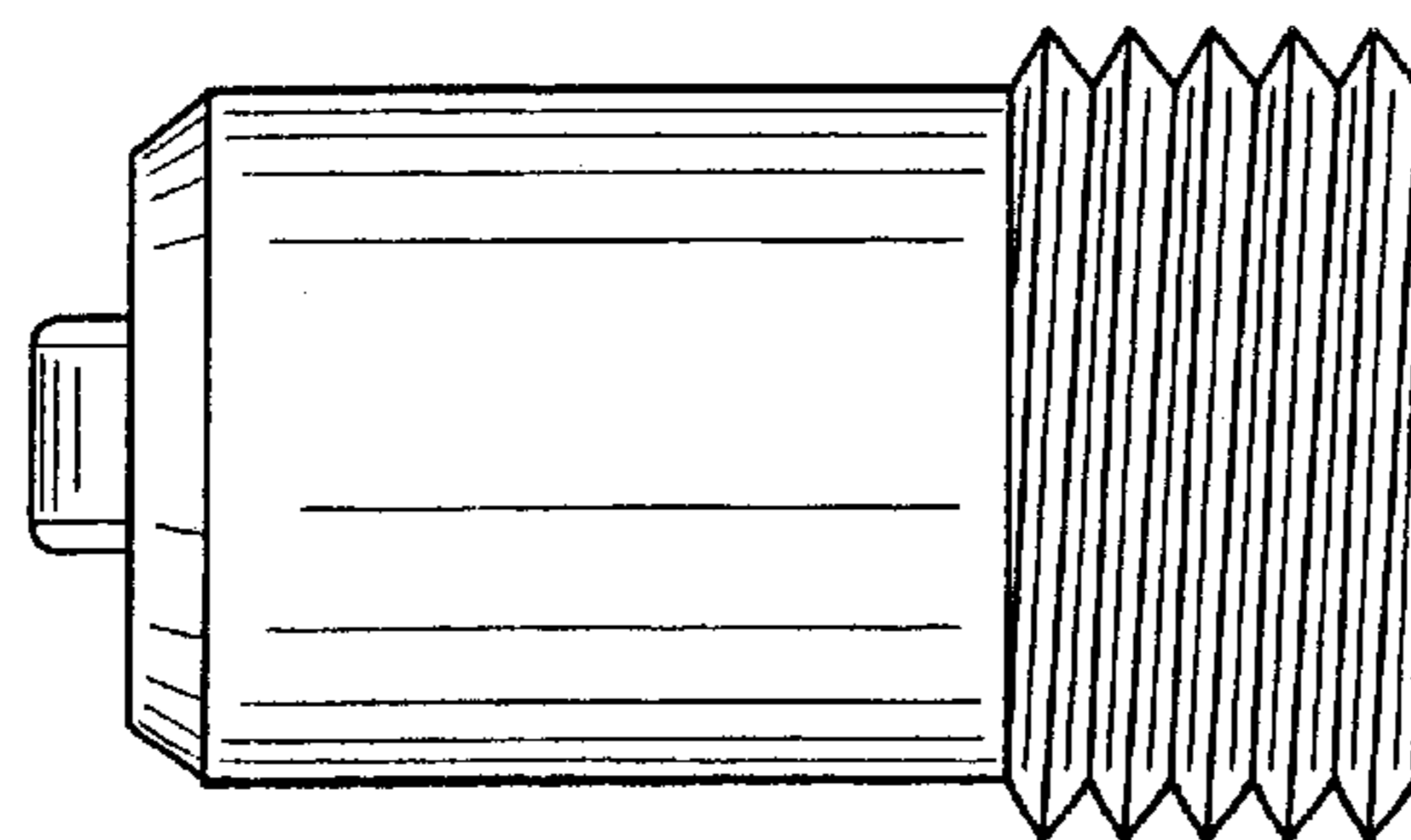


FIG. 6

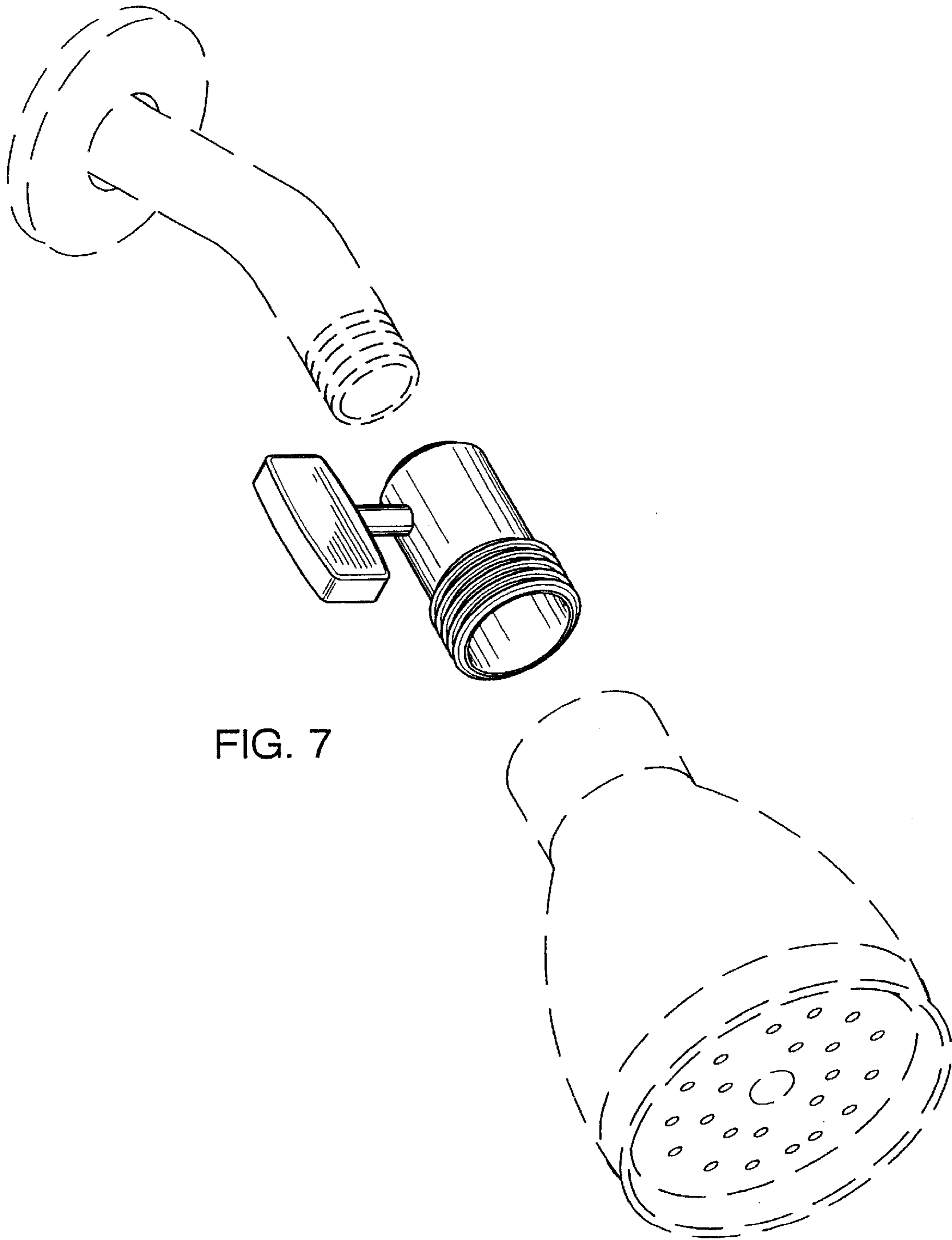


FIG. 7