



US00D529128S

(12) **United States Design Patent**
Lee

(10) **Patent No.:** **US D529,128 S**

(45) **Date of Patent:** **** Sep. 26, 2006**

(54) **WATER CLEANER**

(76) Inventor: **Tsung-Hui Lee**, 235 Chung-Ho Box
8-24, Taipei (TW)

(**) Term: **14 Years**

(21) Appl. No.: **29/228,264**

(22) Filed: **Apr. 22, 2005**

(51) **LOC (8) Cl.** **23-01**

(52) **U.S. Cl.** **D23/209**

(58) **Field of Classification Search** D23/209,
D23/207; 210/460, 461, 462

See application file for complete search history.

(56) **References Cited**

U.S. PATENT DOCUMENTS

D285,958 S * 9/1986 Koizumi et al. D23/209

4,686,037 A * 8/1987 Lang 210/221.2

D328,942 S * 8/1992 Igami et al. D23/209

D398,369 S * 9/1998 Hayes et al. D23/209

D457,596 S * 5/2002 Guzman et al. D23/209

* cited by examiner

Primary Examiner—Robin Webster

(57) **CLAIM**

The ornamental design for a water cleaner, as shown and described.

DESCRIPTION

FIG. 1 is a perspective view of a water cleaner showing my new design;

FIG. 2 is a front elevational view thereof;

FIG. 3 is a rear elevational view thereof;

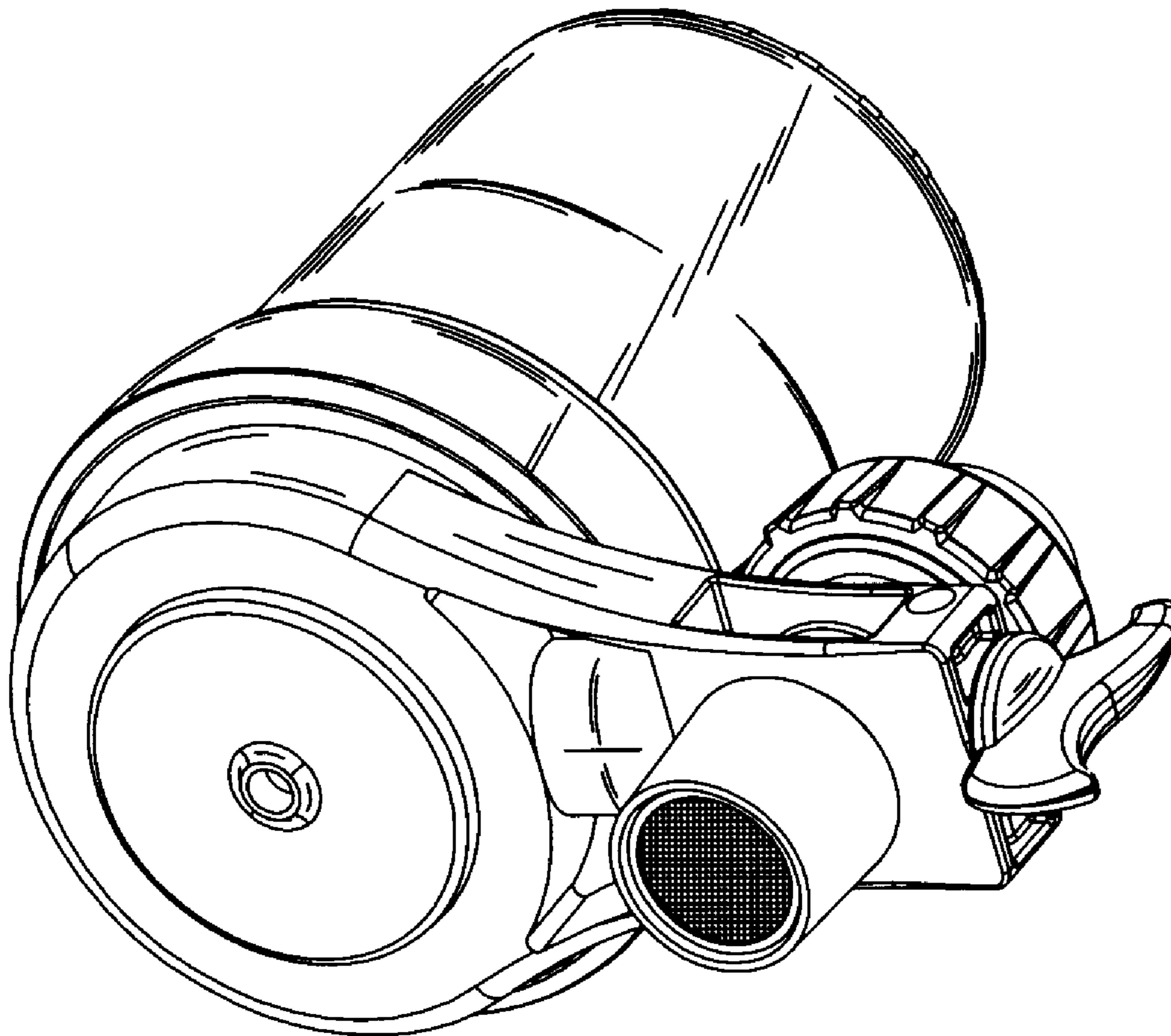
FIG. 4 is a left side view thereof;

FIG. 5 is a right side view thereof;

FIG. 6 is a top plan view thereof; and,

FIG. 7 is a bottom plan view thereof;

1 Claim, 7 Drawing Sheets



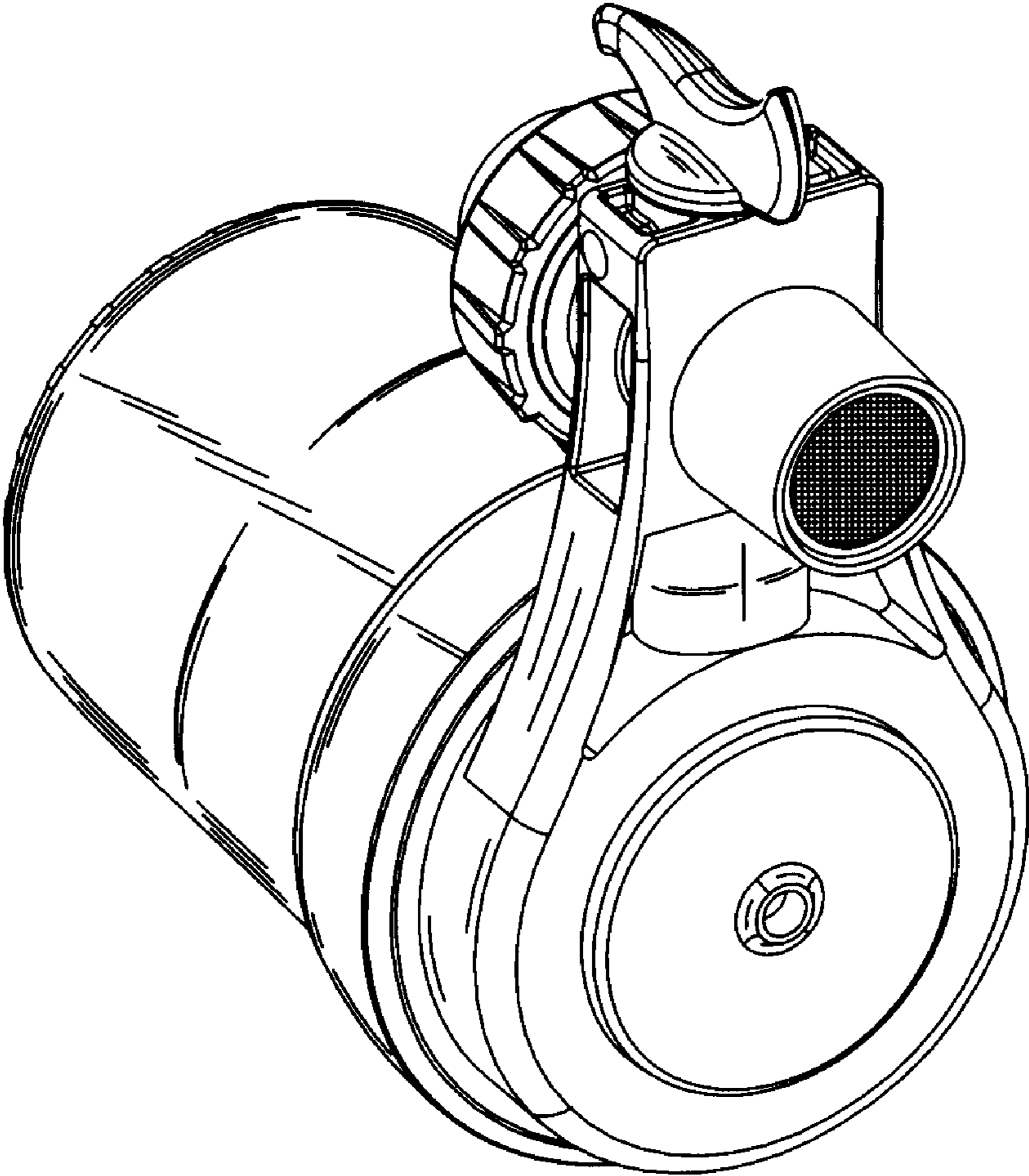


Fig.1

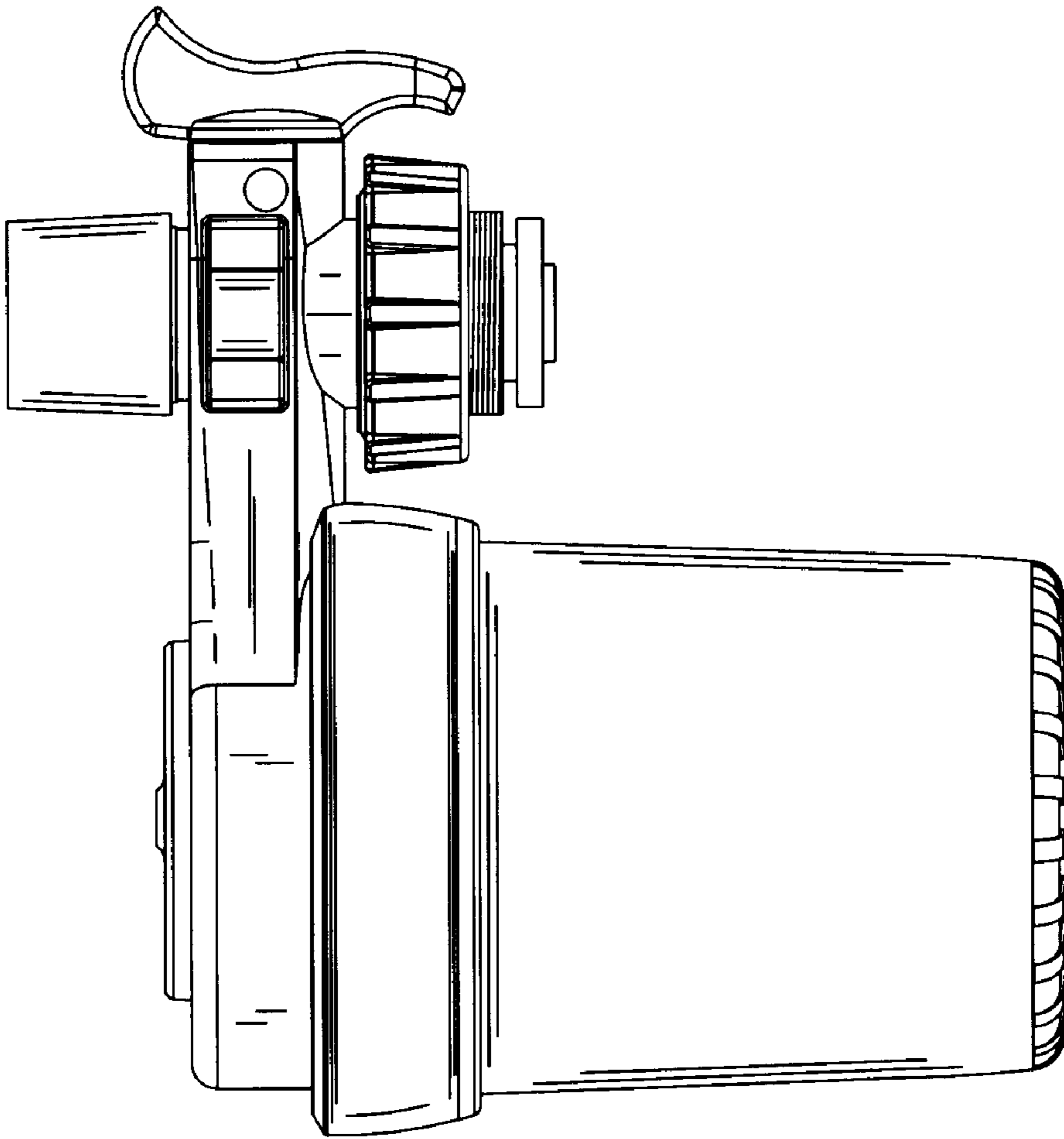


Fig. 2

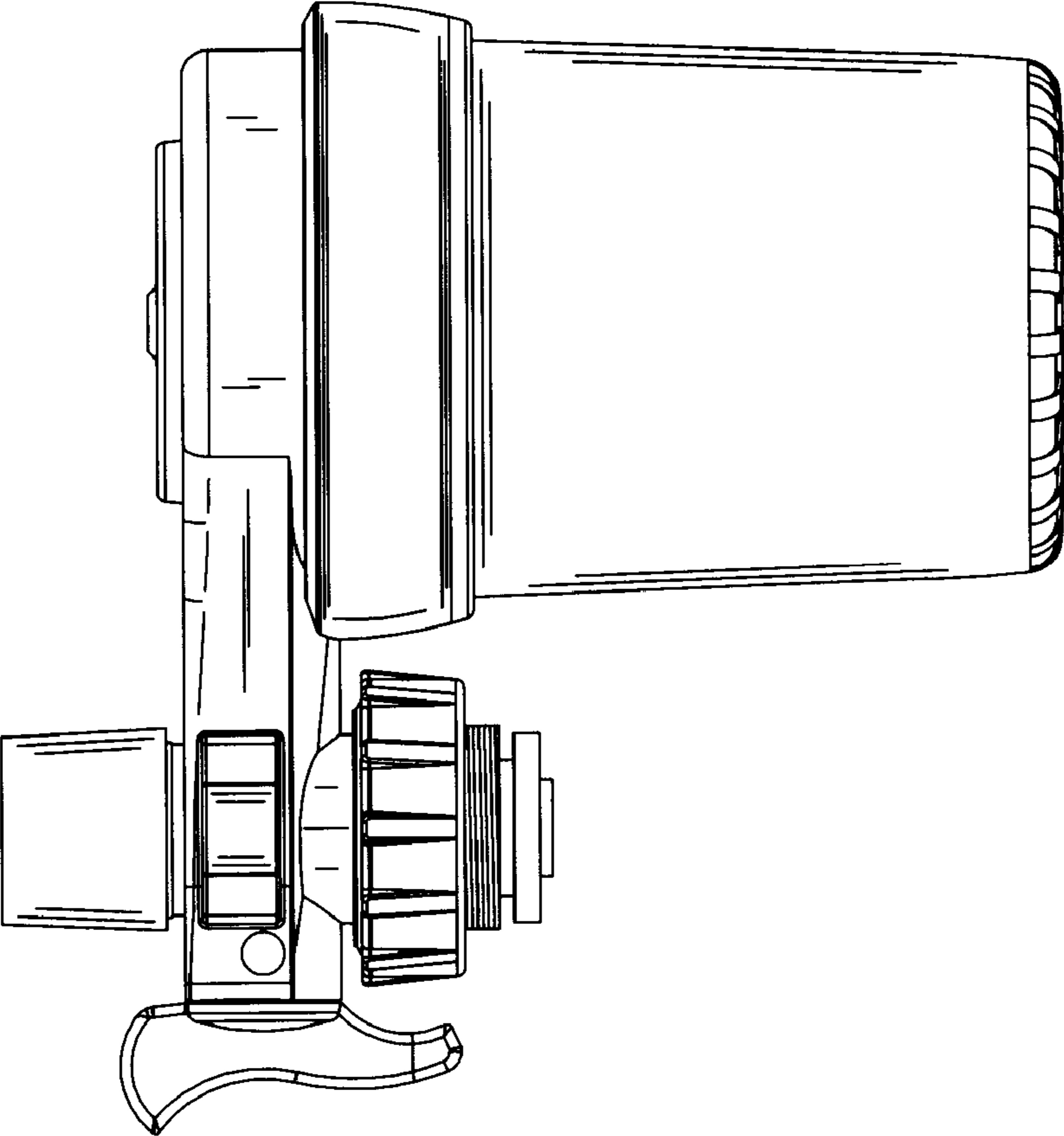


Fig. 3

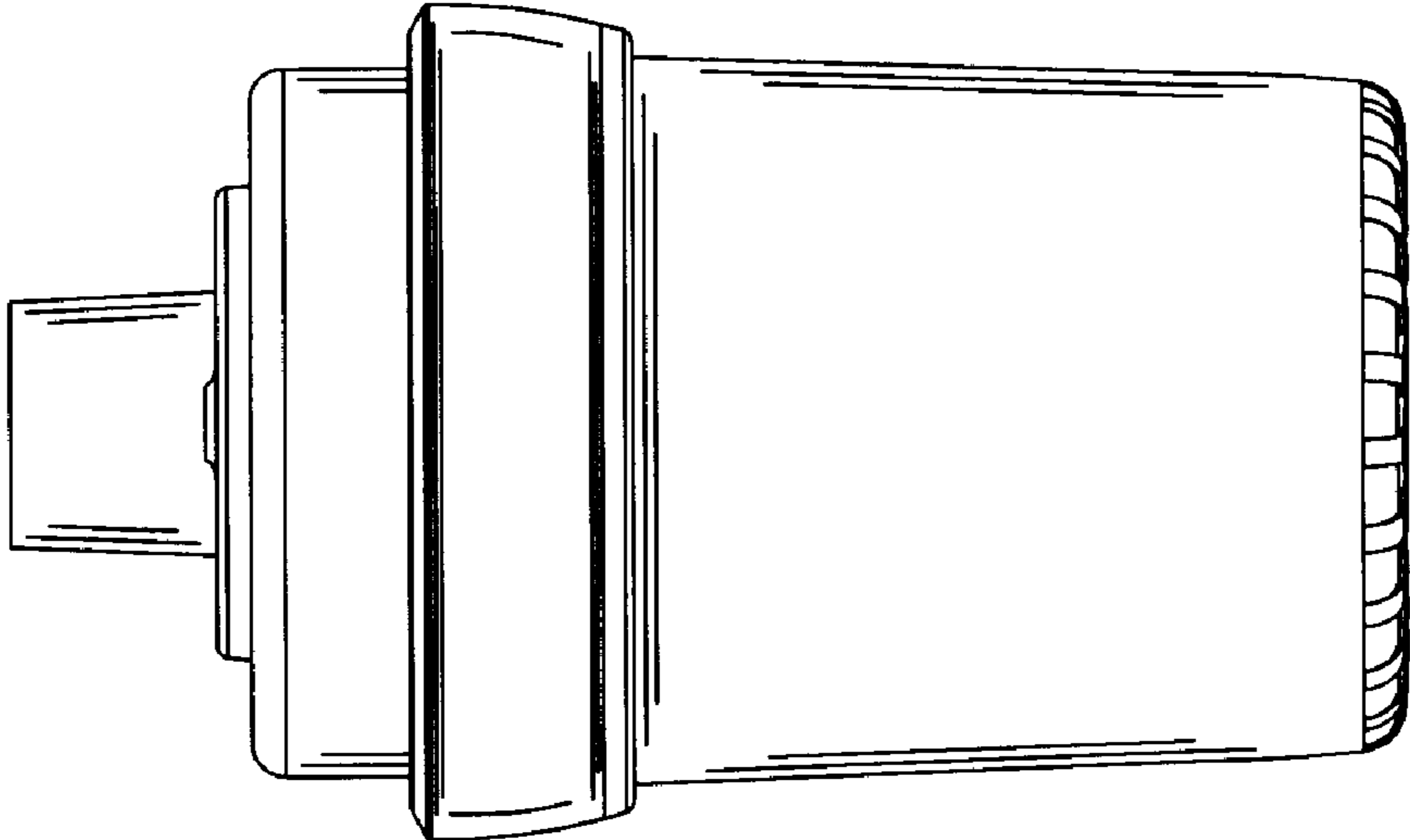


Fig4

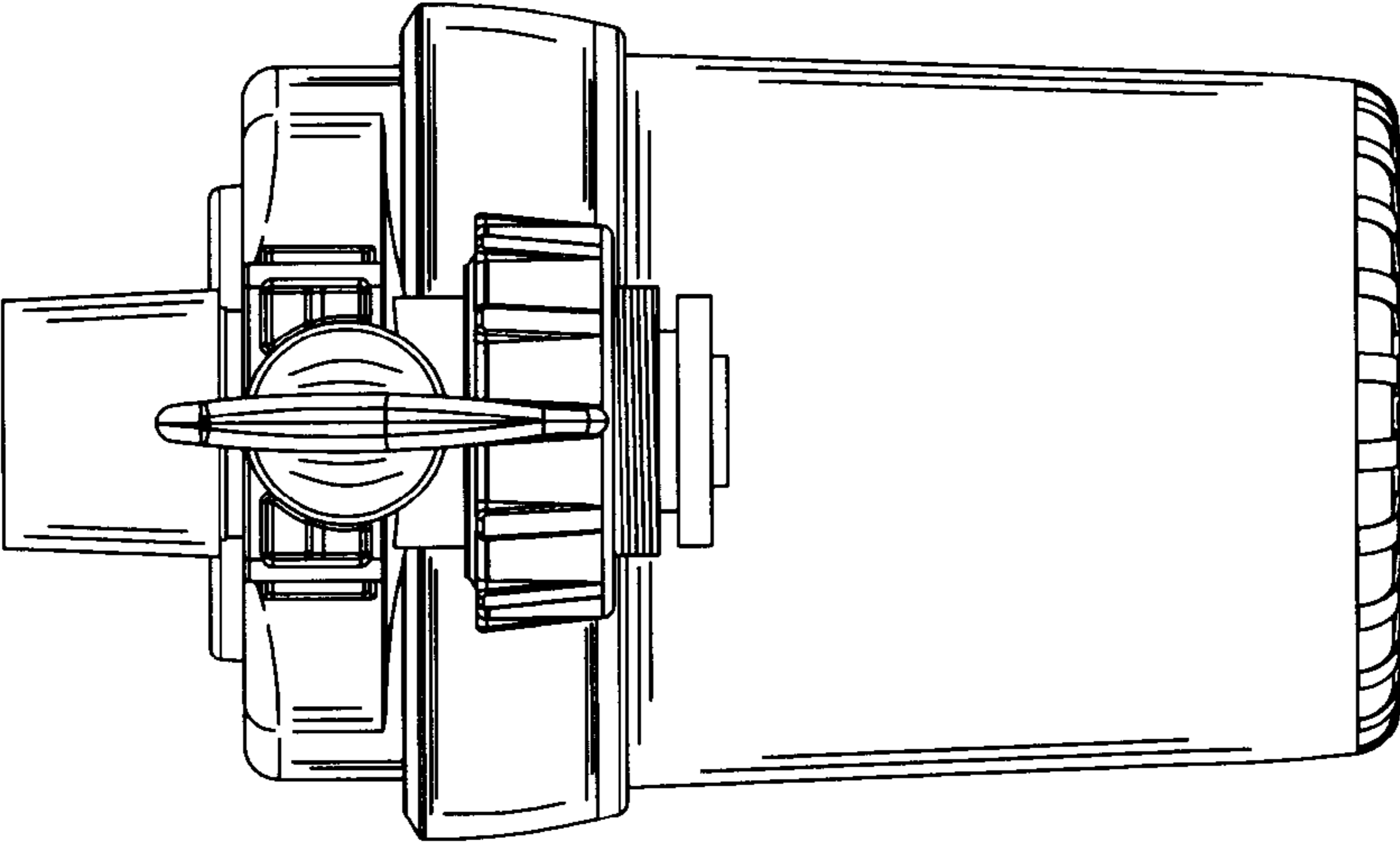


Fig. 5

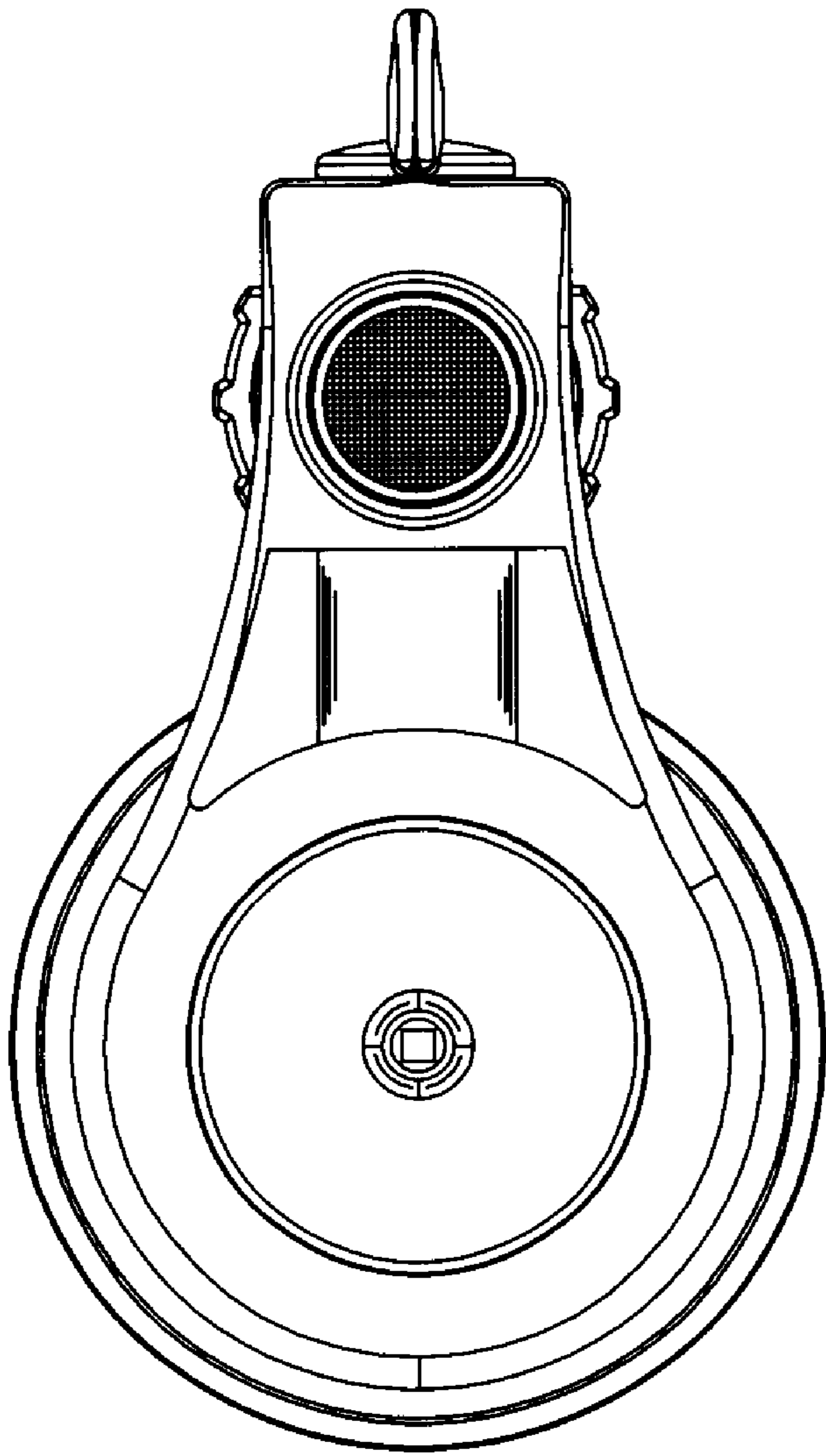


Fig. 6

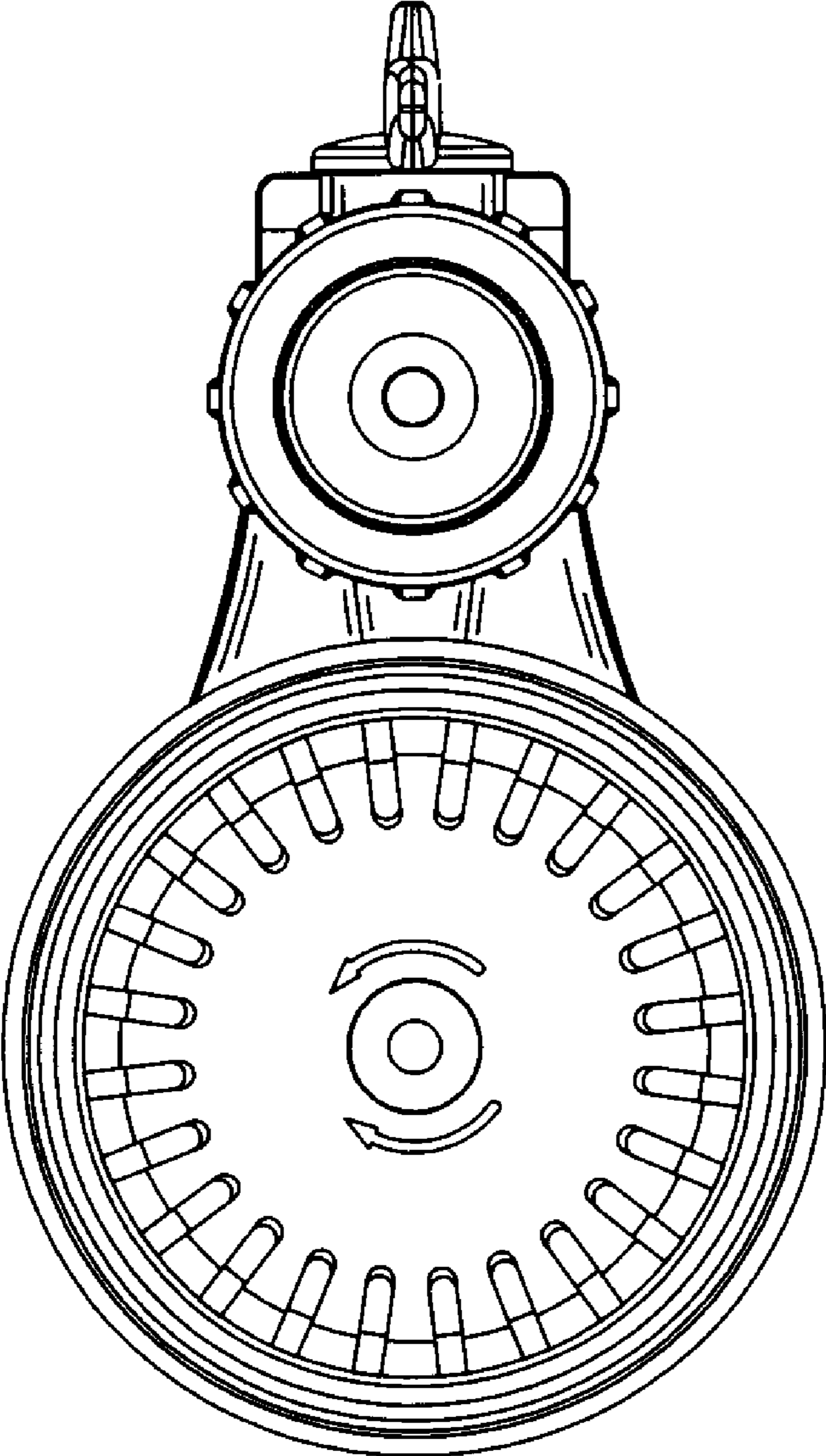


Fig. 7