



US00D529126S

(12) **United States Design Patent**  
**Miller**

(10) **Patent No.:** **US D529,126 S**  
(45) **Date of Patent:** **\*\* Sep. 26, 2006**

(54) **FILTER END CAP**

(75) Inventor: **Daniel W. Miller**, Luckey, OH (US)

(73) Assignee: **Parker-Hannifin Corporation**,  
Cleveland, OH (US)

(\*\*) Term: **14 Years**

(21) Appl. No.: **29/219,592**

(22) Filed: **Dec. 17, 2004**

**Related U.S. Application Data**

(63) Continuation-in-part of application No. 29/205,521, filed on  
May 17, 2004, now abandoned.

(51) **LOC (8) Cl.** ..... **23-01**

(52) **U.S. Cl.** ..... **D23/209**

(58) **Field of Classification Search** ..... D23/209;  
210/493.2, 450, 443-4, 495

See application file for complete search history.

(56) **References Cited**

**U.S. PATENT DOCUMENTS**

4,272,368	A	6/1981	Foord et al.	
D320,062	S	* 9/1991	Meissner	..... D23/209
D322,836	S	* 12/1991	Petrucci et al.	..... D23/209
D412,551	S	* 8/1999	Smith et al.	..... D23/209
D455,194	S	* 4/2002	Kurth et al.	..... D23/209
D456,486	S	* 4/2002	Kurth et al.	..... D23/209
D497,972	S	* 11/2004	Reynolds et al.	..... D23/209
2004/0035097	A1	2/2004	Schlensker et al.	

**FOREIGN PATENT DOCUMENTS**

WO WO 02/38247 A1 5/2002

**OTHER PUBLICATIONS**

U.S. Appl. No. 29/205,521, Daniel W. Miller, Filter Element, filed Dec. 28, 2003.

\* cited by examiner

*Primary Examiner*—Robin Webster

(74) *Attorney, Agent, or Firm*—Christopher H. Hunter

(57) **CLAIM**

The ornamental design for a filter end cap, as shown and described.

**DESCRIPTION**

FIG. 1 is a front view of a filter end cap showing my new design;

FIG. 2 is a right side view thereof, the left side being a mirror image;

FIG. 3 is a rear view thereof;

FIG. 4 is a top plan view thereof;

FIG. 5 is a bottom plan view thereof;

FIG. 6 is a perspective view thereof;

FIG. 7 is a front view of another embodiment of a filter end cap;

FIG. 8 is a right side view thereof, the left side being a mirror image;

FIG. 9 is a rear view thereof;

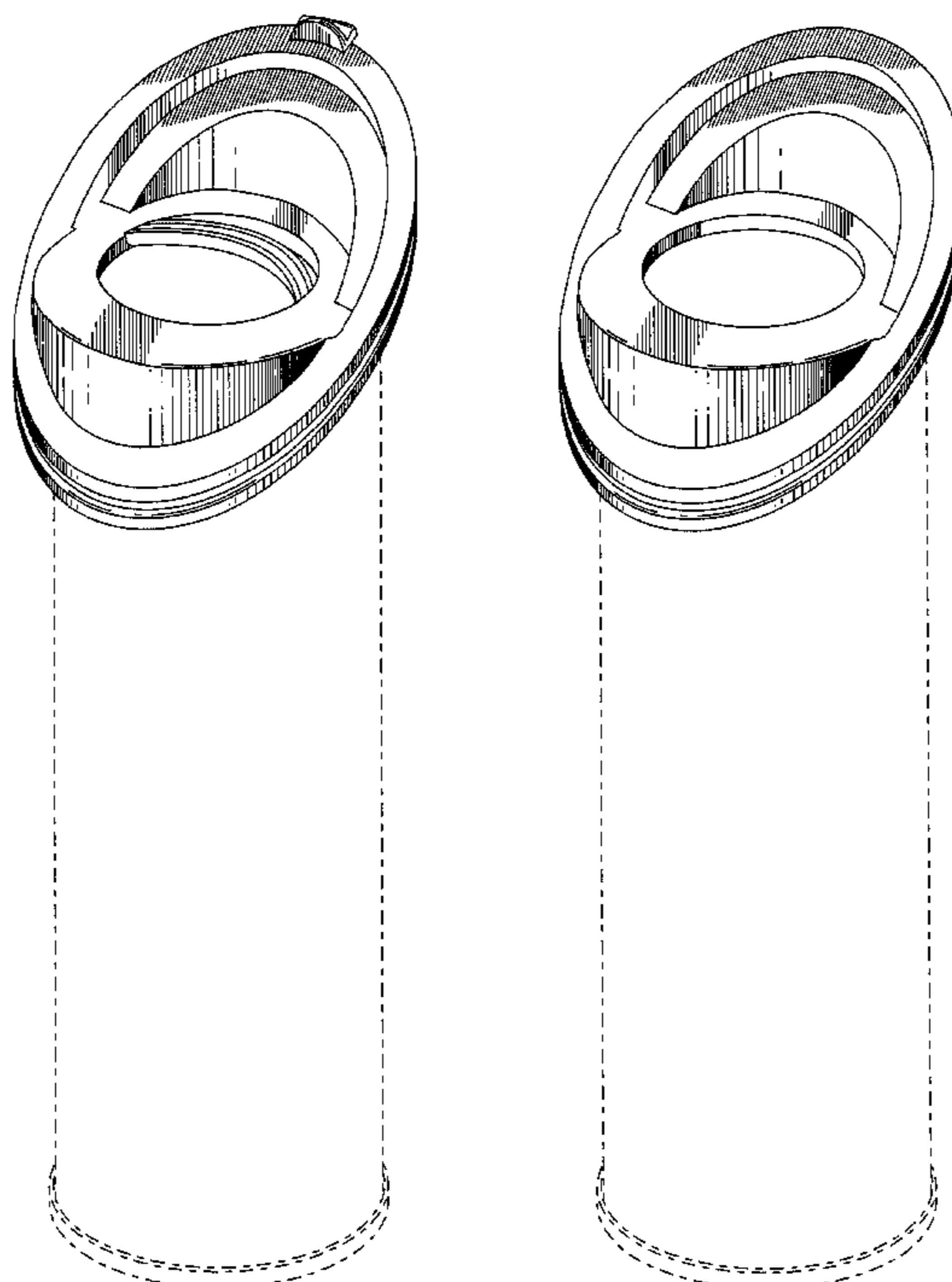
FIG. 10 is a top plan view thereof;

FIG. 11 is a bottom plan view thereof; and,

FIG. 12 is a perspective view thereof.

The broken lines showing are for illustrative purposes and form no part of the present invention.

**1 Claim, 10 Drawing Sheets**



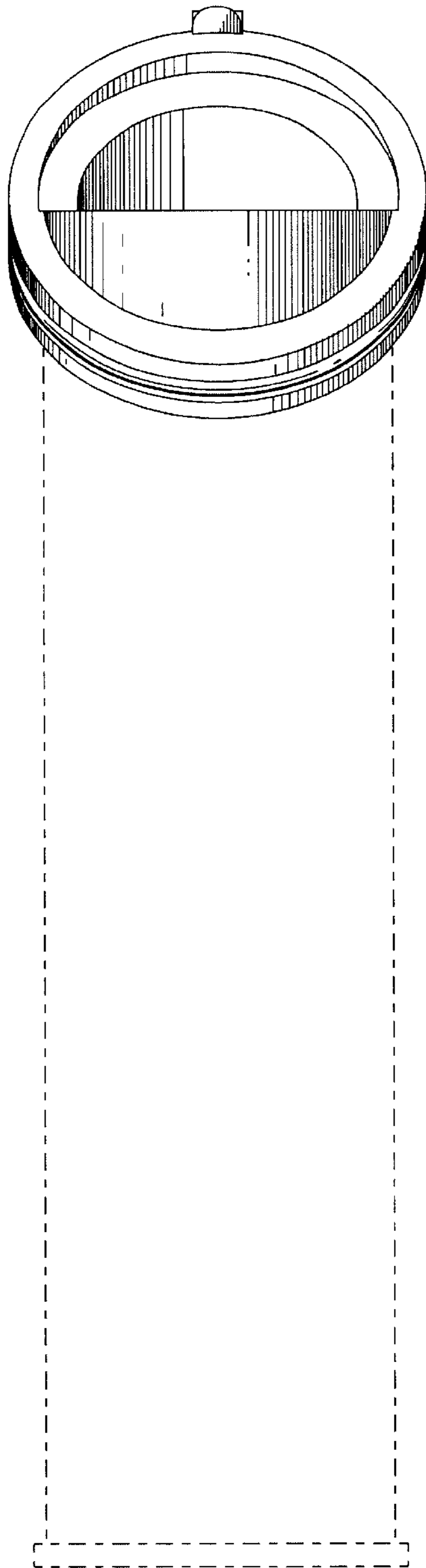


FIG. 1

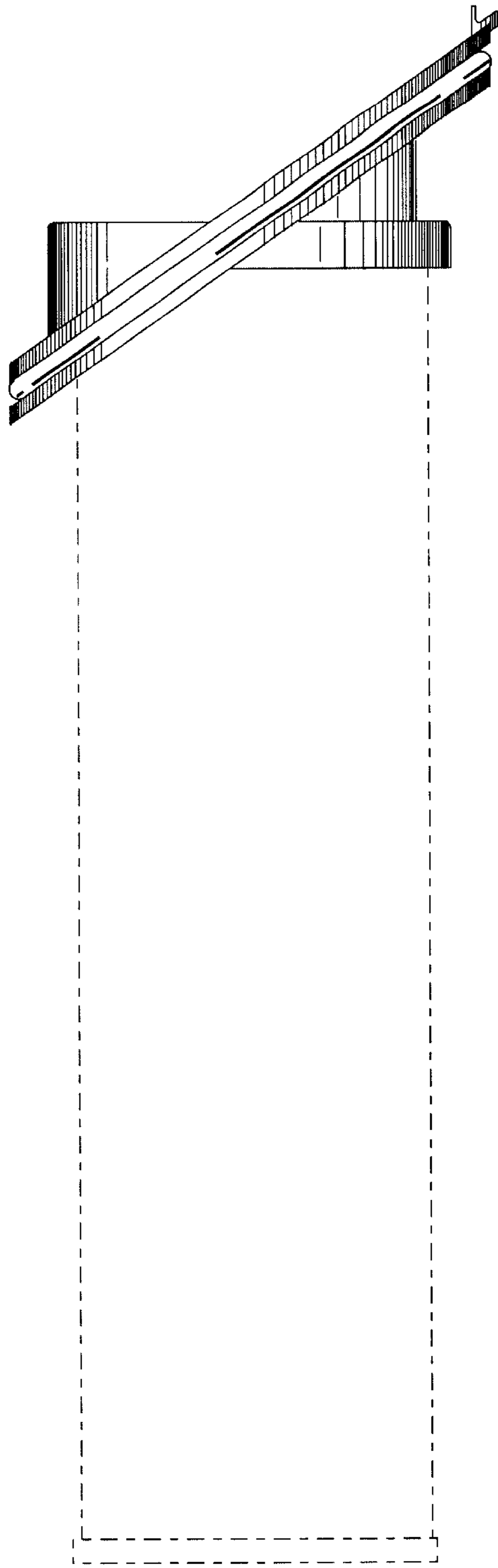


FIG. 2

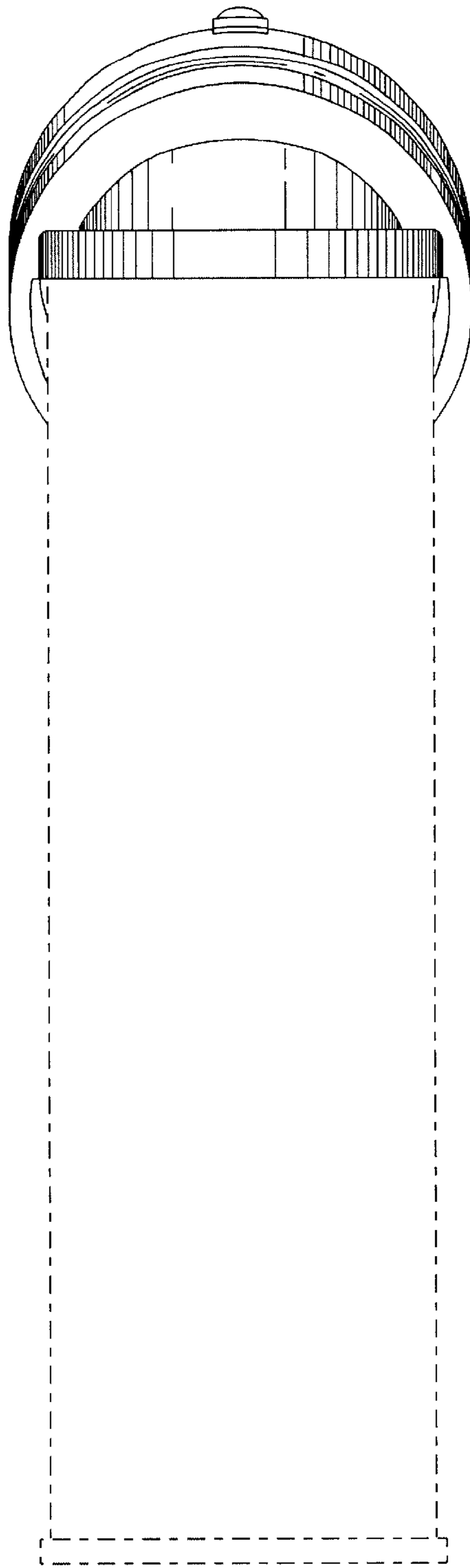


FIG. 3

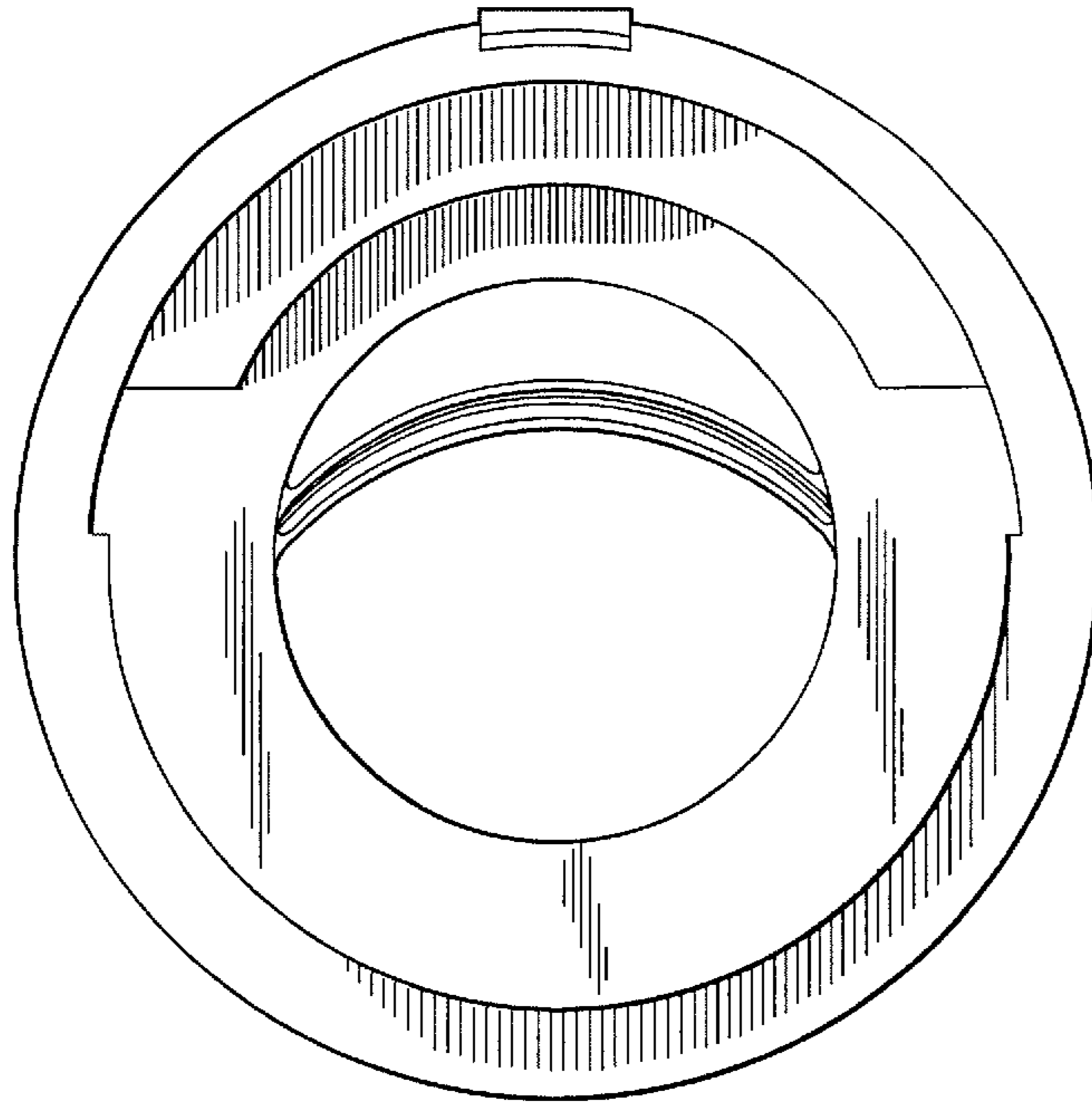


FIG. 4

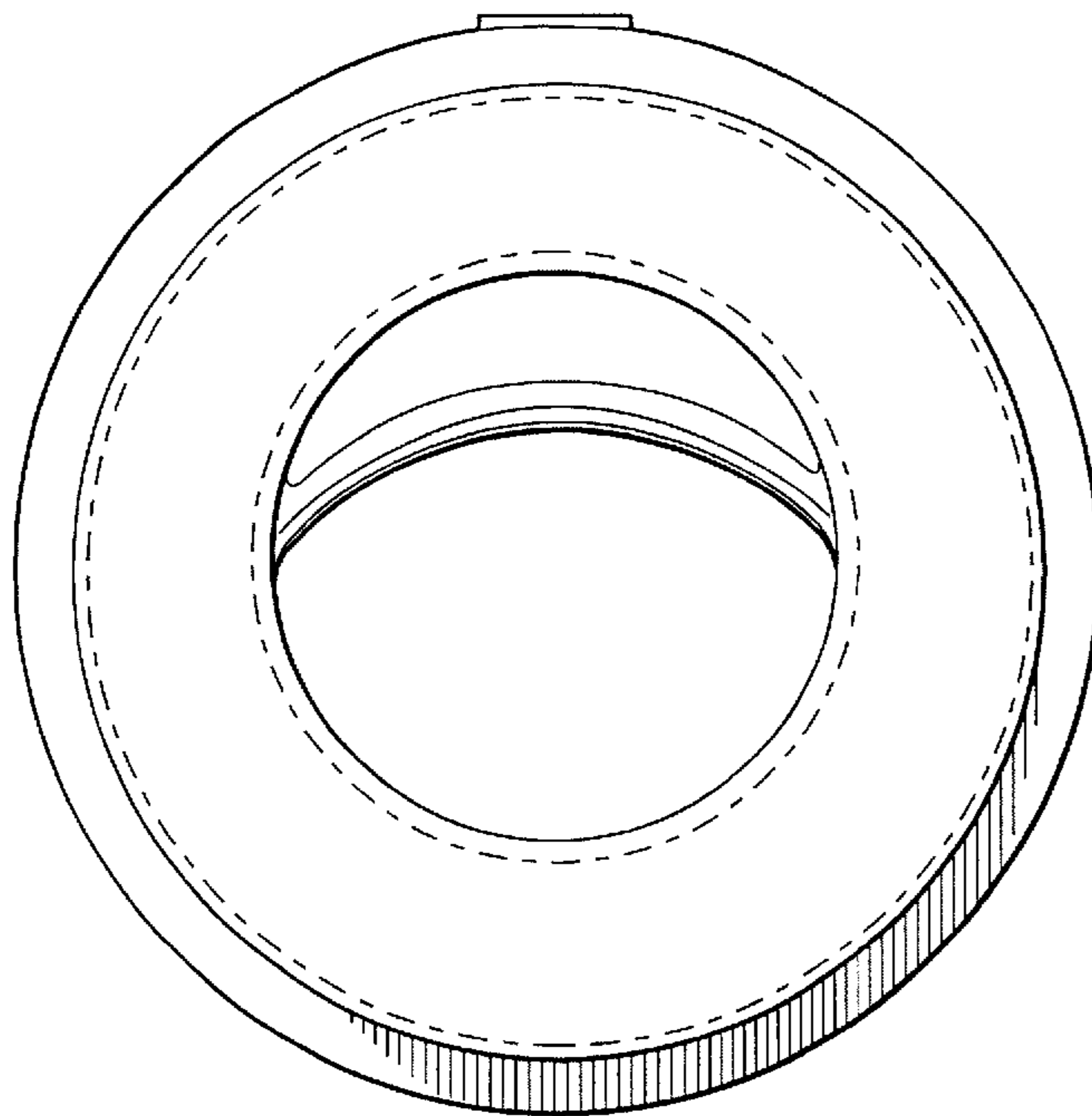


FIG. 5

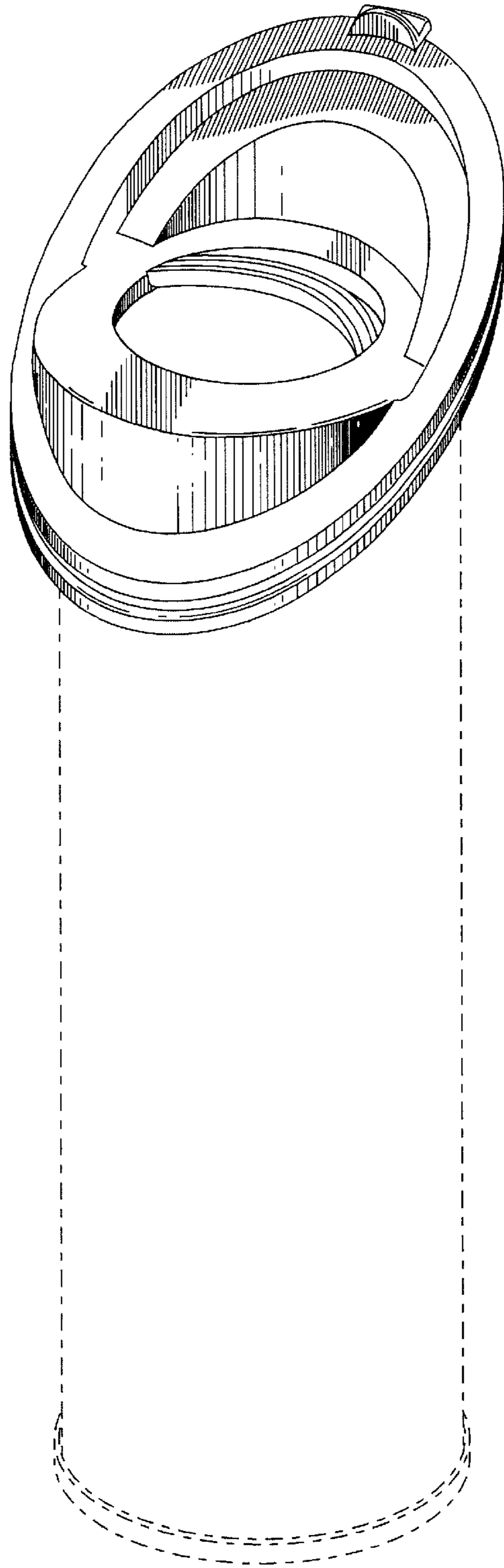


FIG. 6

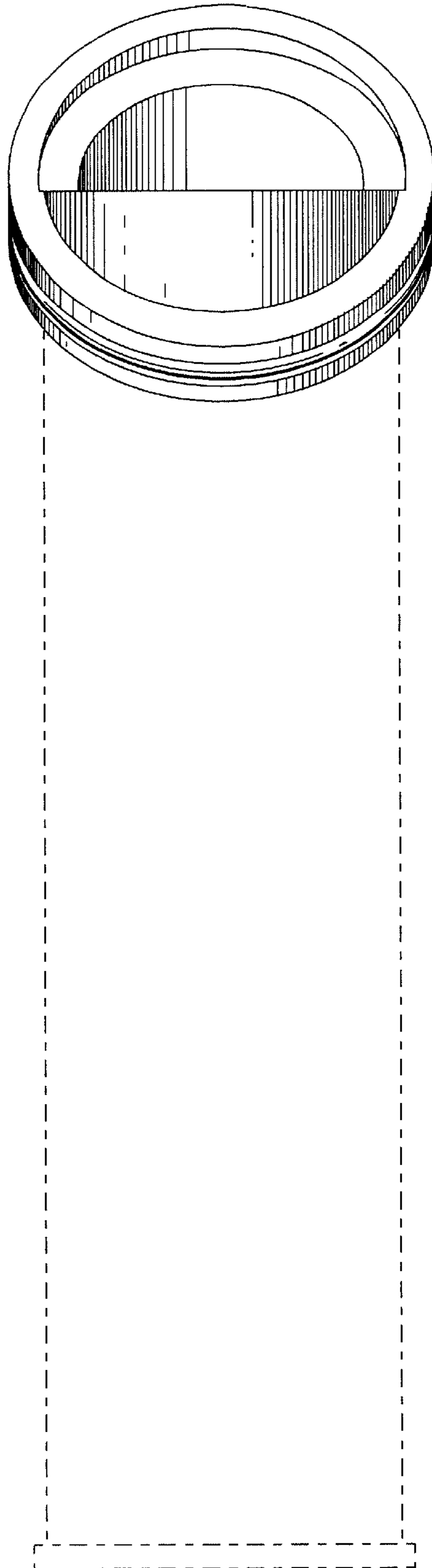


FIG. 7

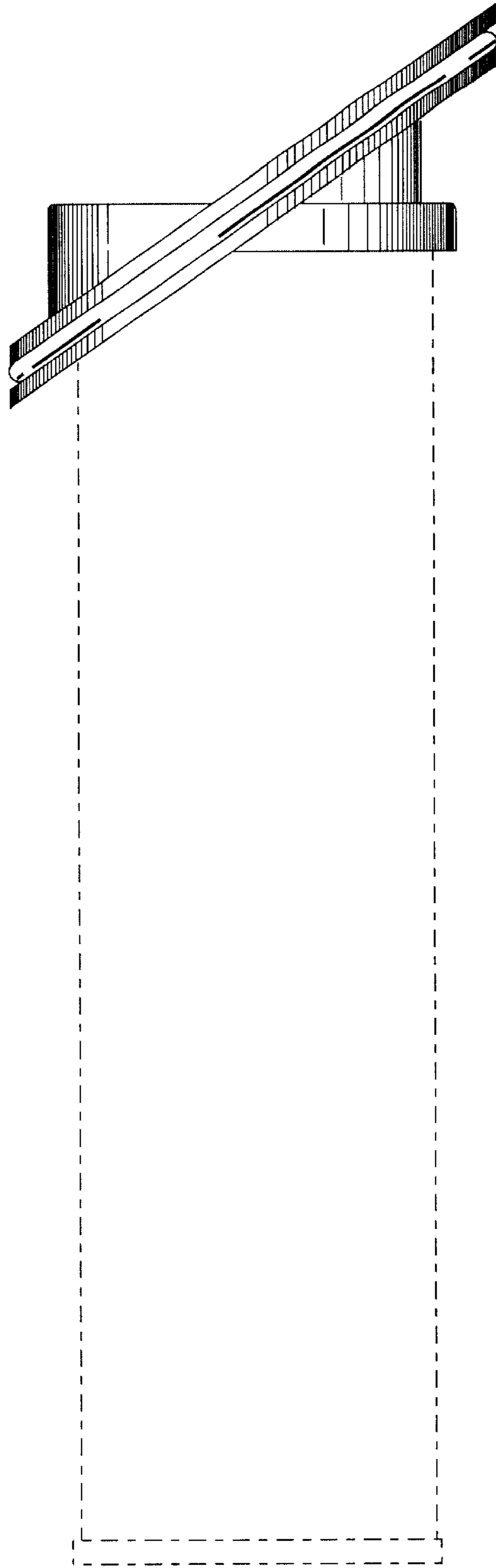


FIG. 8



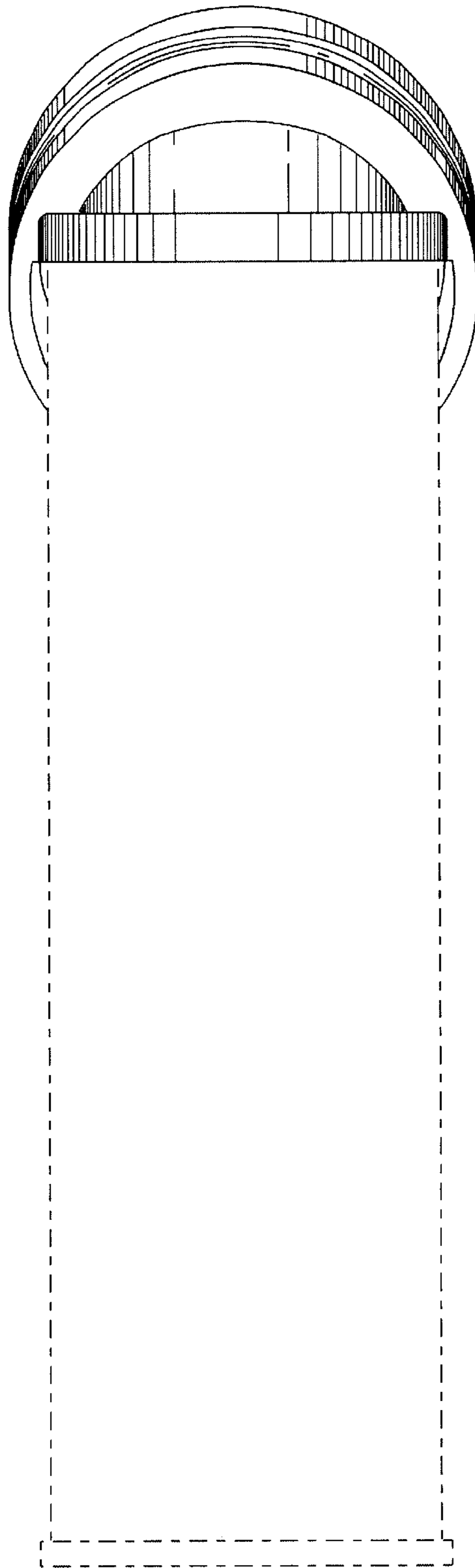


FIG. 9

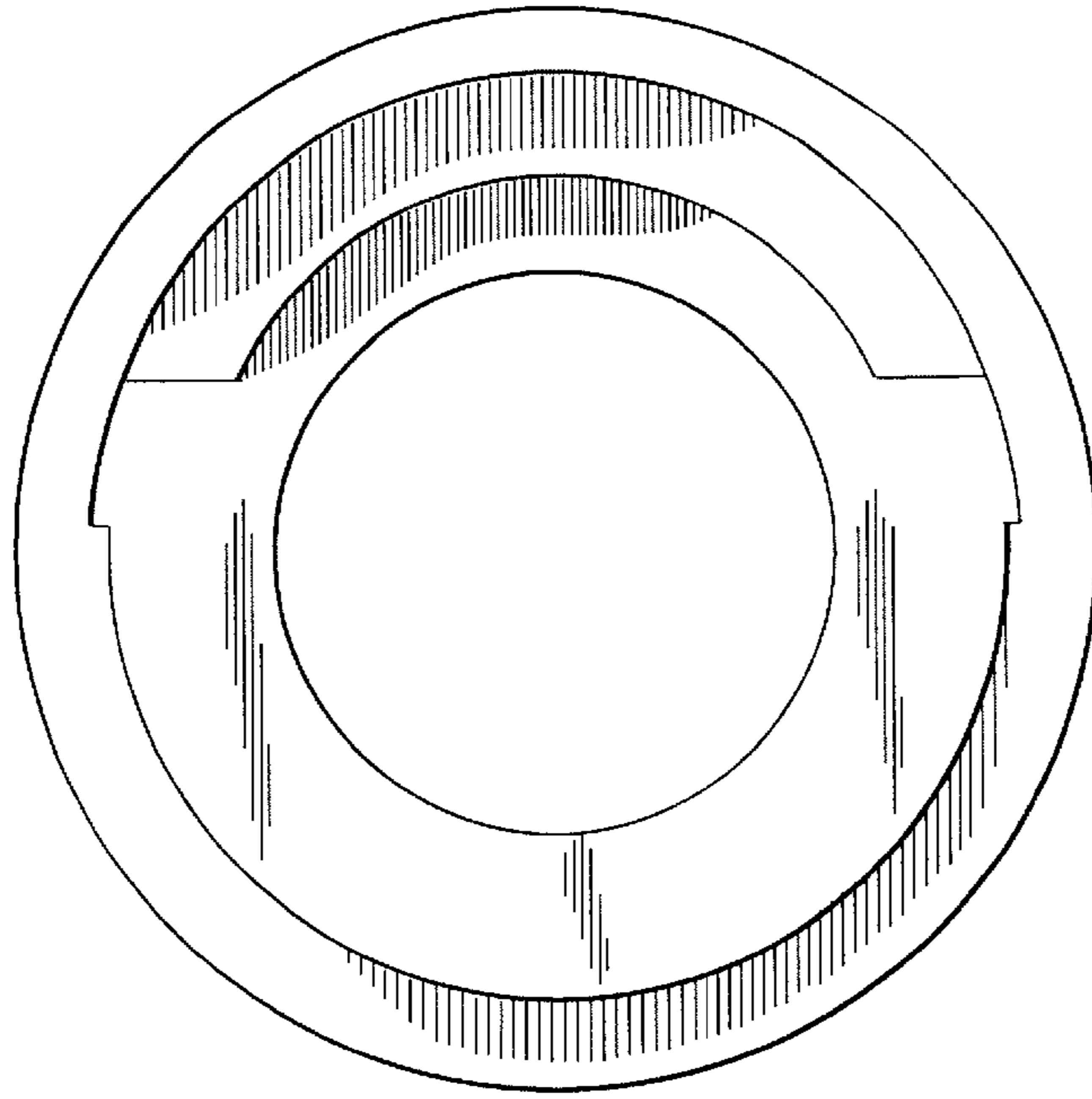


FIG. 10

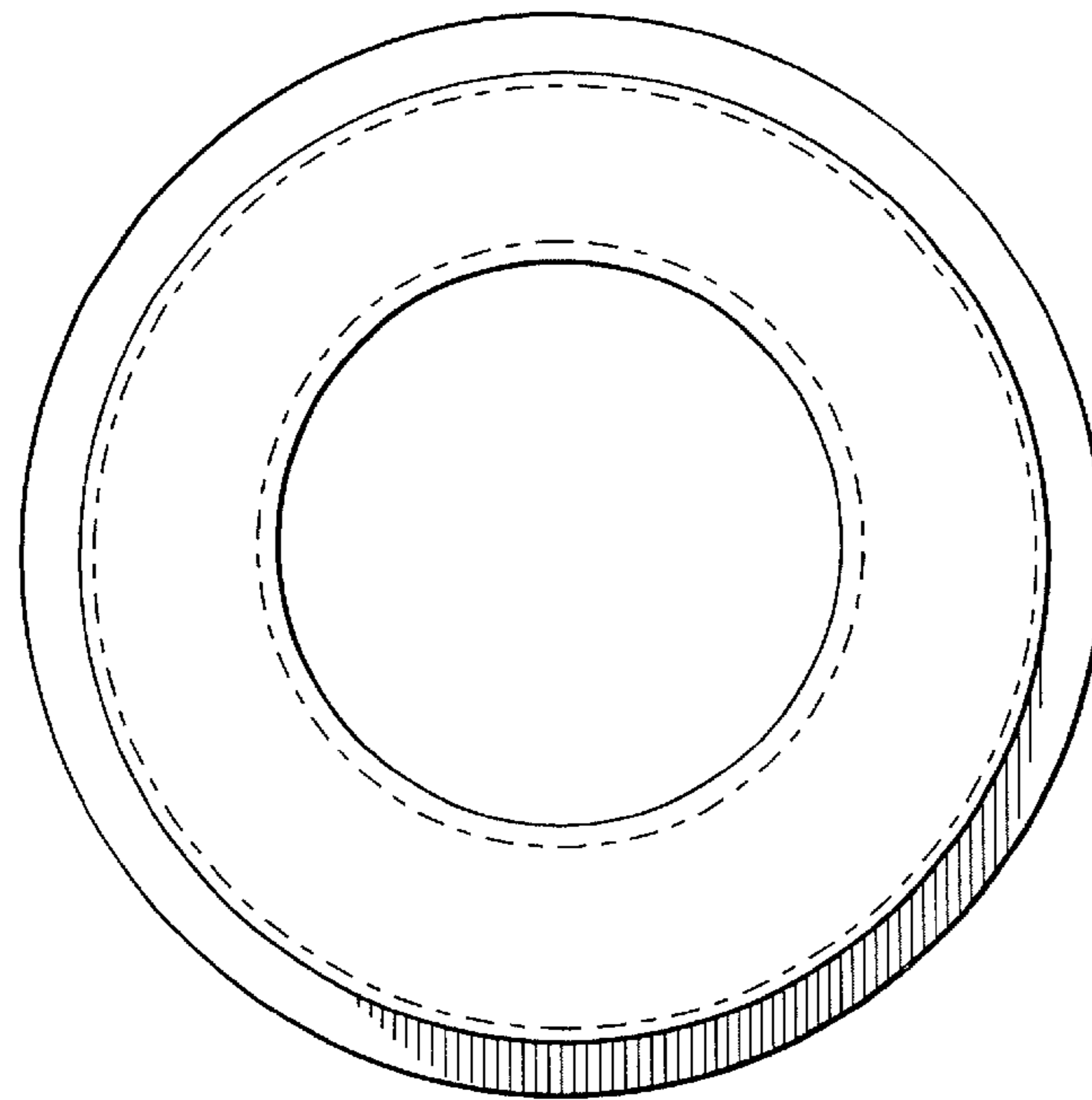


FIG. 11

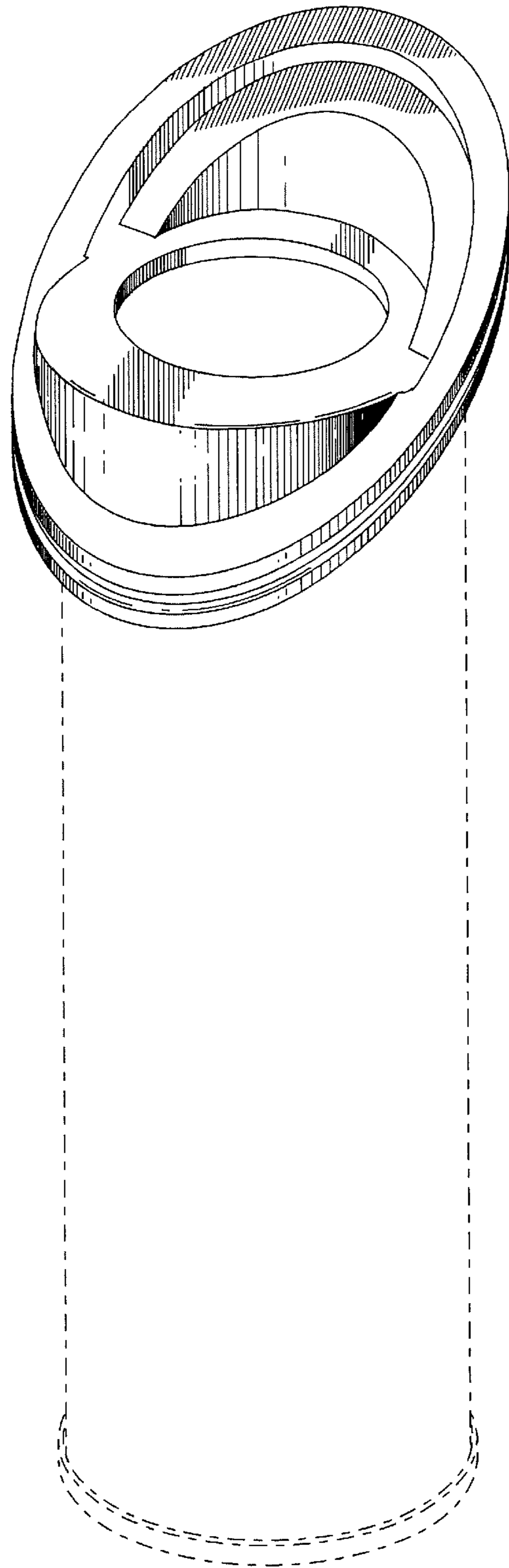


FIG. 12