



US00D529124S

(12) **United States Design Patent**
Nago

(10) **Patent No.:** **US D529,124 S**

(45) **Date of Patent:** **** Sep. 26, 2006**

(54) **FISHING REEL ROTOR ARM COVER**

(57) **CLAIM**

(75) Inventor: **Akira Nago**, Sakai (JP)

The ornamental design for a fishing reel rotor arm cover, as shown and described.

(73) Assignee: **Shimano Inc.**, Osaka (JP)

(**) Term: **14 Years**

DESCRIPTION

(21) Appl. No.: **29/234,535**

FIG. 1 is a front elevational view of the fishing reel rotor arm cover in accordance with my new design;

(22) Filed: **Jul. 20, 2005**

FIG. 2 is a top plan view of the fishing reel rotor arm cover in accordance with my new design;

(30) **Foreign Application Priority Data**

FIG. 3 is a bottom plan view of the fishing reel rotor arm cover in accordance with my new design;

Jan. 26, 2005 (JP) 2005-001909

FIG. 4 is a right side view of the fishing reel rotor arm cover in accordance with my new design;

(51) **LOC (8) Cl.** **22-05**

FIG. 5 is a front top perspective view of the fishing reel rotor arm cover in accordance with my new design;

(52) **U.S. Cl.** **D22/141**

(58) **Field of Classification Search** D22/140-141,
D22/137; 43/19-22; 242/316, 223-224, 283,
242/311, 322

FIG. 6 is a front bottom perspective view of the fishing reel rotor arm cover in accordance with my new design;

See application file for complete search history.

FIG. 7 is a cross sectional view of the fishing reel rotor arm cover in accordance with my new design, as viewed along line 7-7 in FIG. 1; and,

(56) **References Cited**

FIG. 8 is a cross sectional view of the fishing reel rotor arm cover in accordance with my new design, as viewed along line 8-8 in FIG. 1.

U.S. PATENT DOCUMENTS

- D497,658 S * 10/2004 Iwabuchi D22/141
- D505,709 S * 5/2005 Kitazaki D22/141
- D505,710 S * 5/2005 Kitazaki D22/141

The broken line showing of environment (the remaining structure of the fishing reel rotor arm cover) in the Figures is for illustrative purposes only and forms no part of the claimed design.

* cited by examiner

Primary Examiner—Catherine R. Oliver

(74) *Attorney, Agent, or Firm*—Global IP Counselors

1 Claim, 5 Drawing Sheets

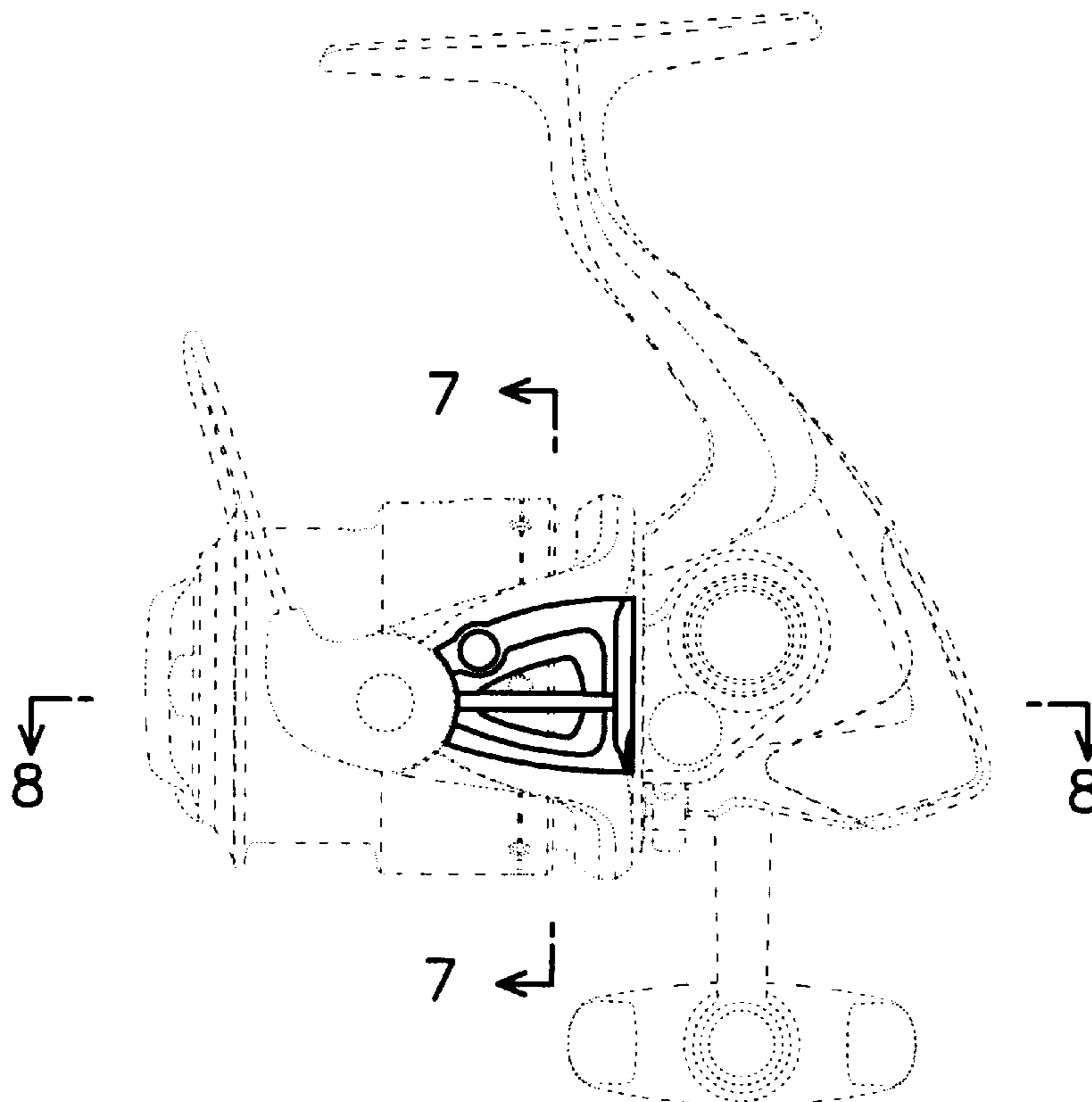


Figure 1

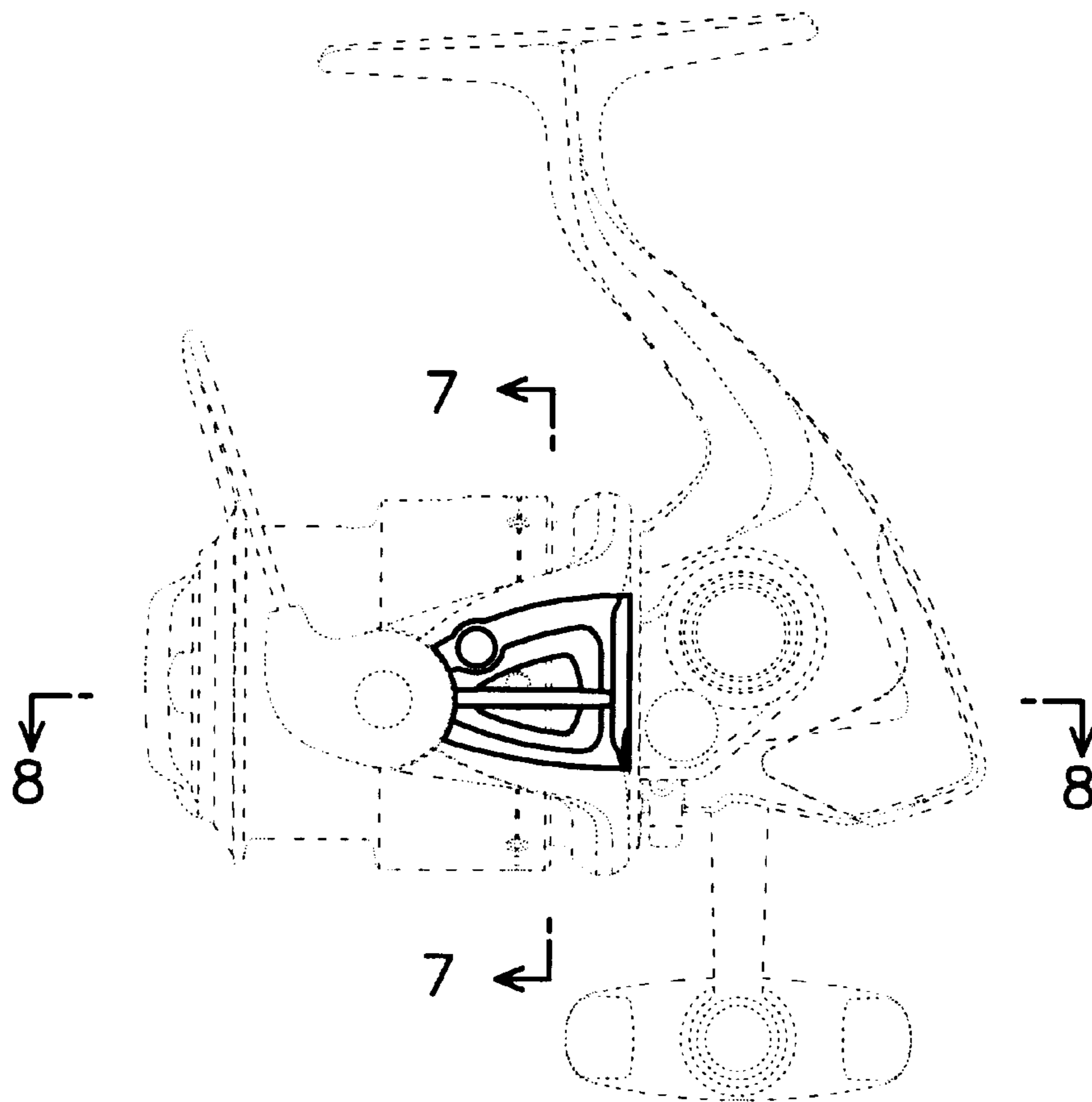


Figure 2

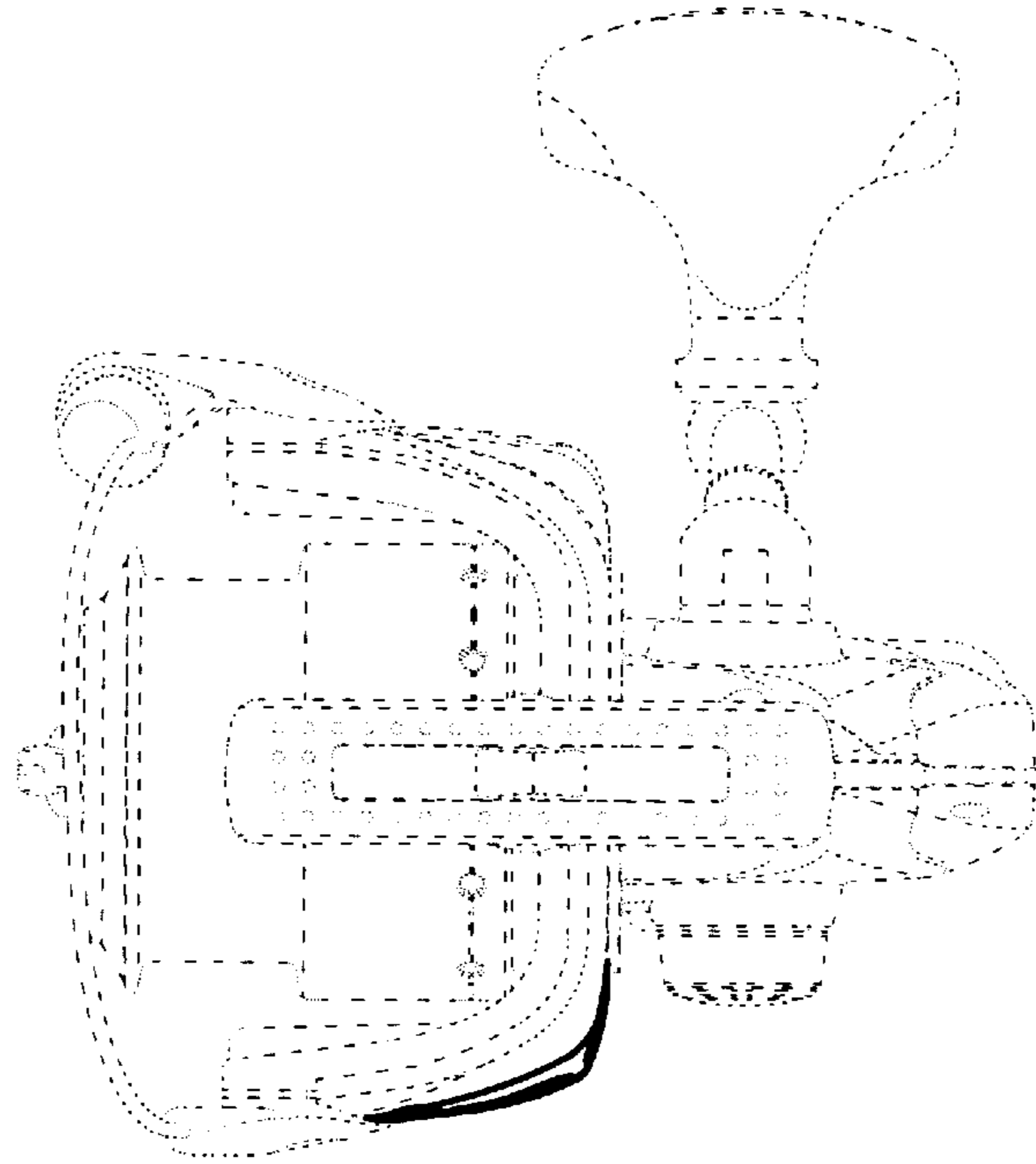


Figure 3

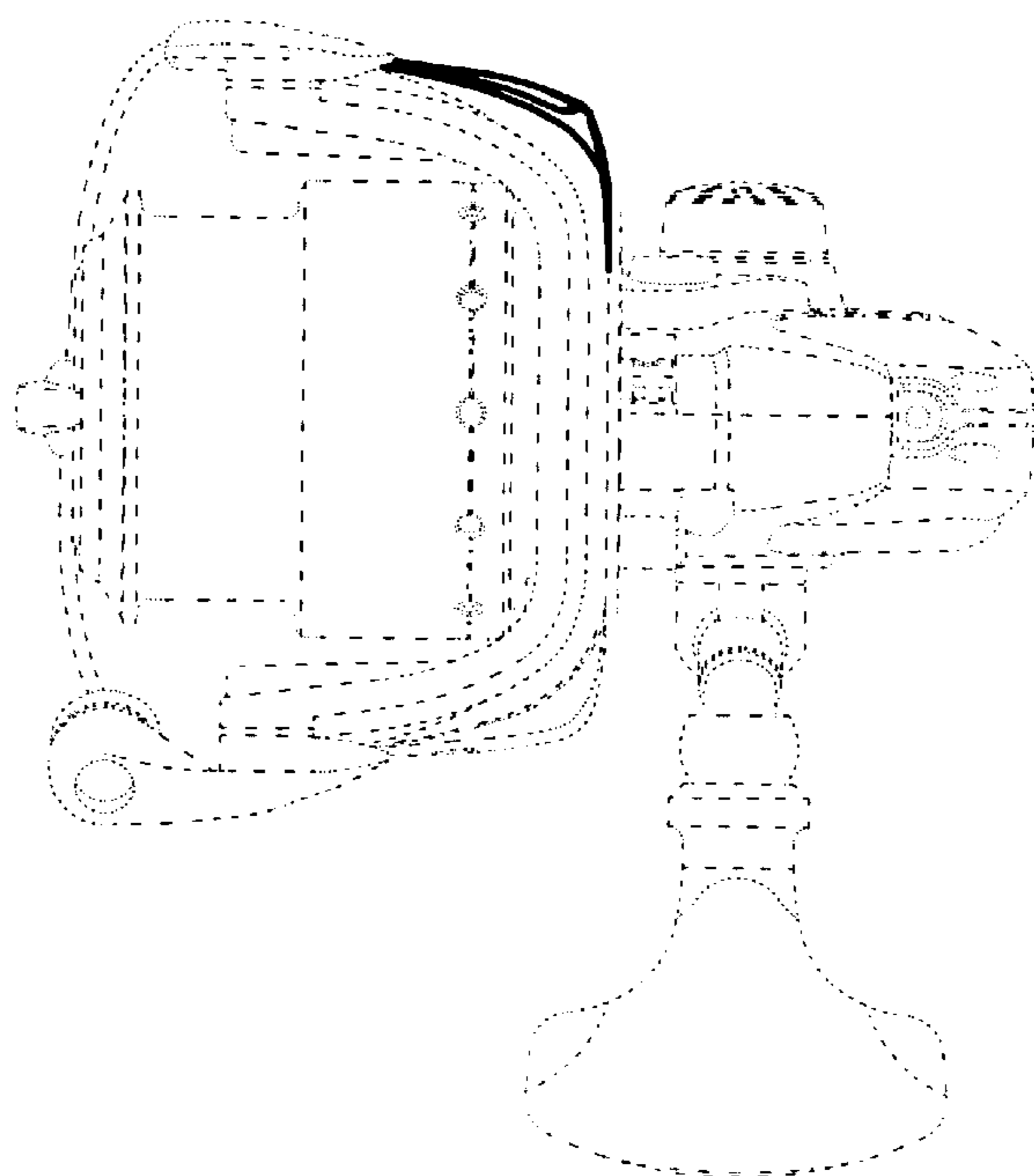


Figure 4

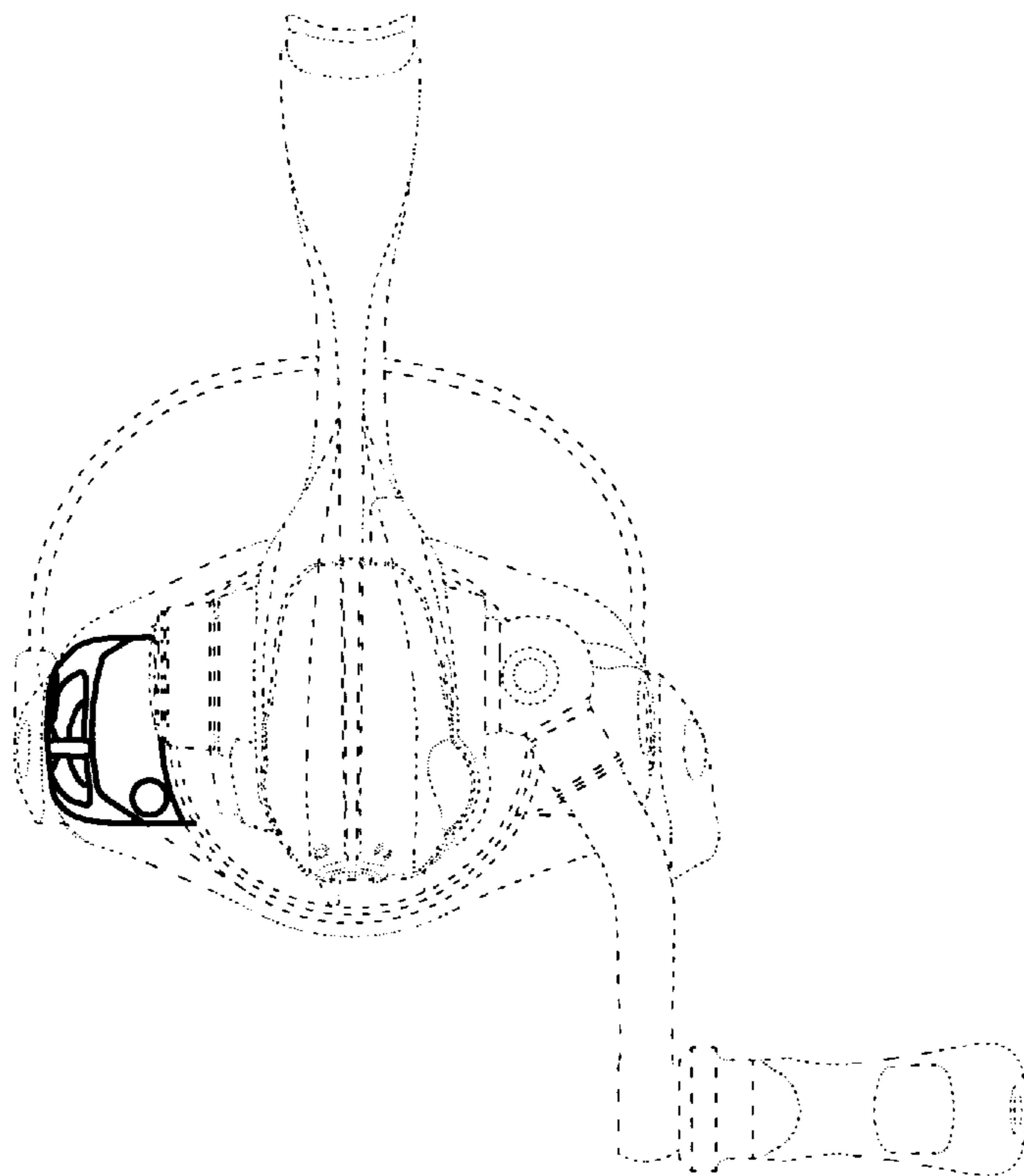


Figure 5

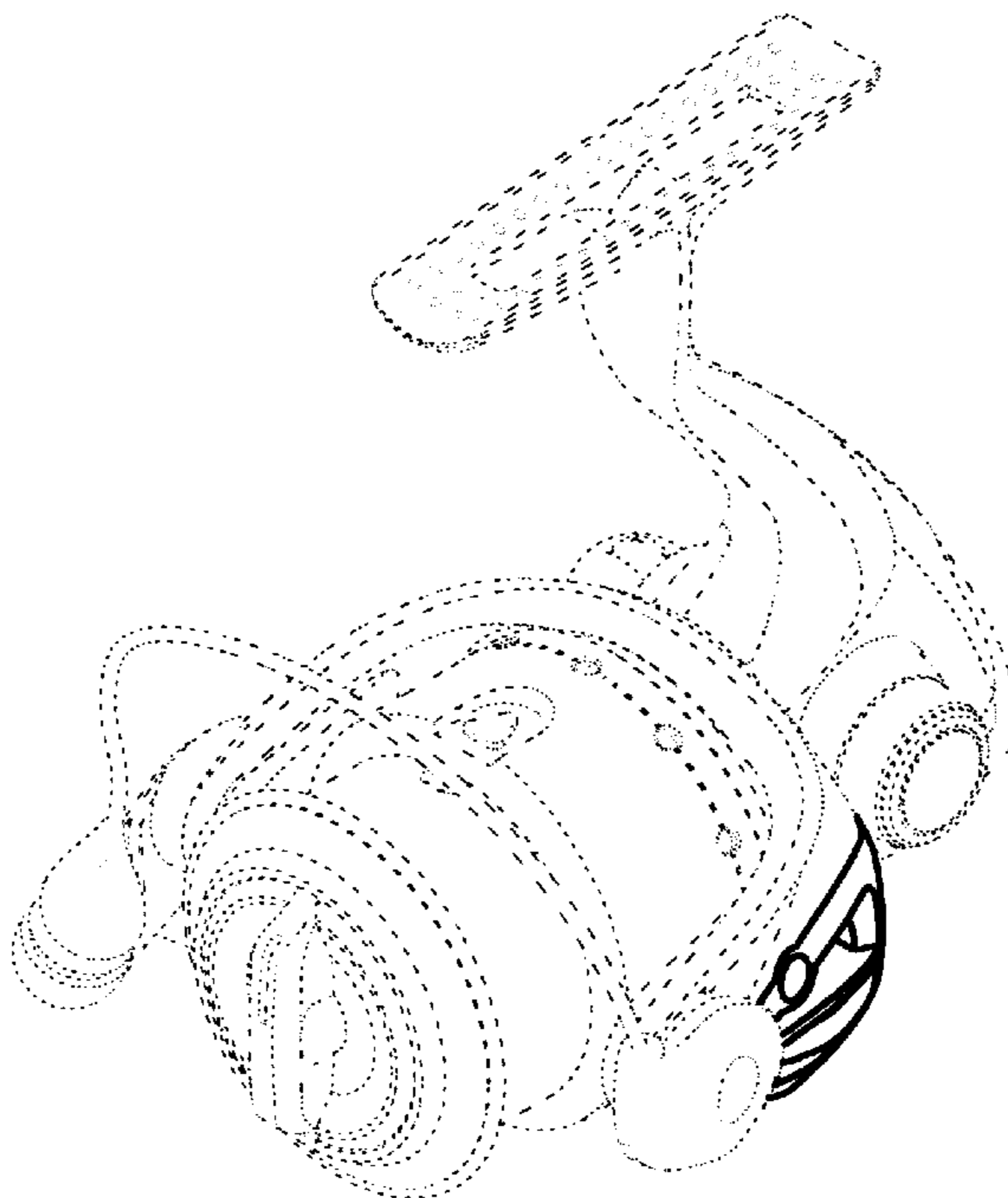


Figure 6

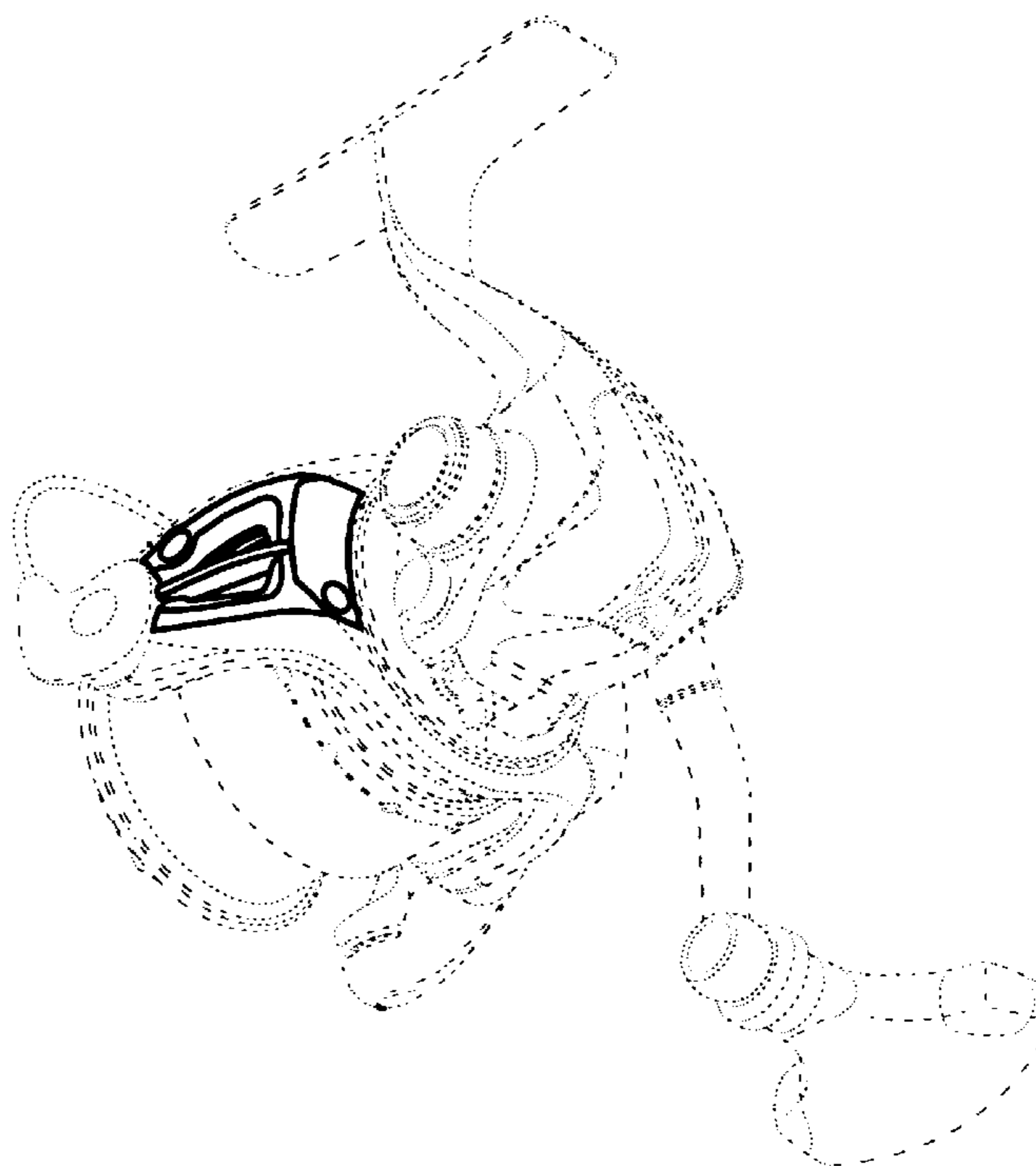


Figure 7

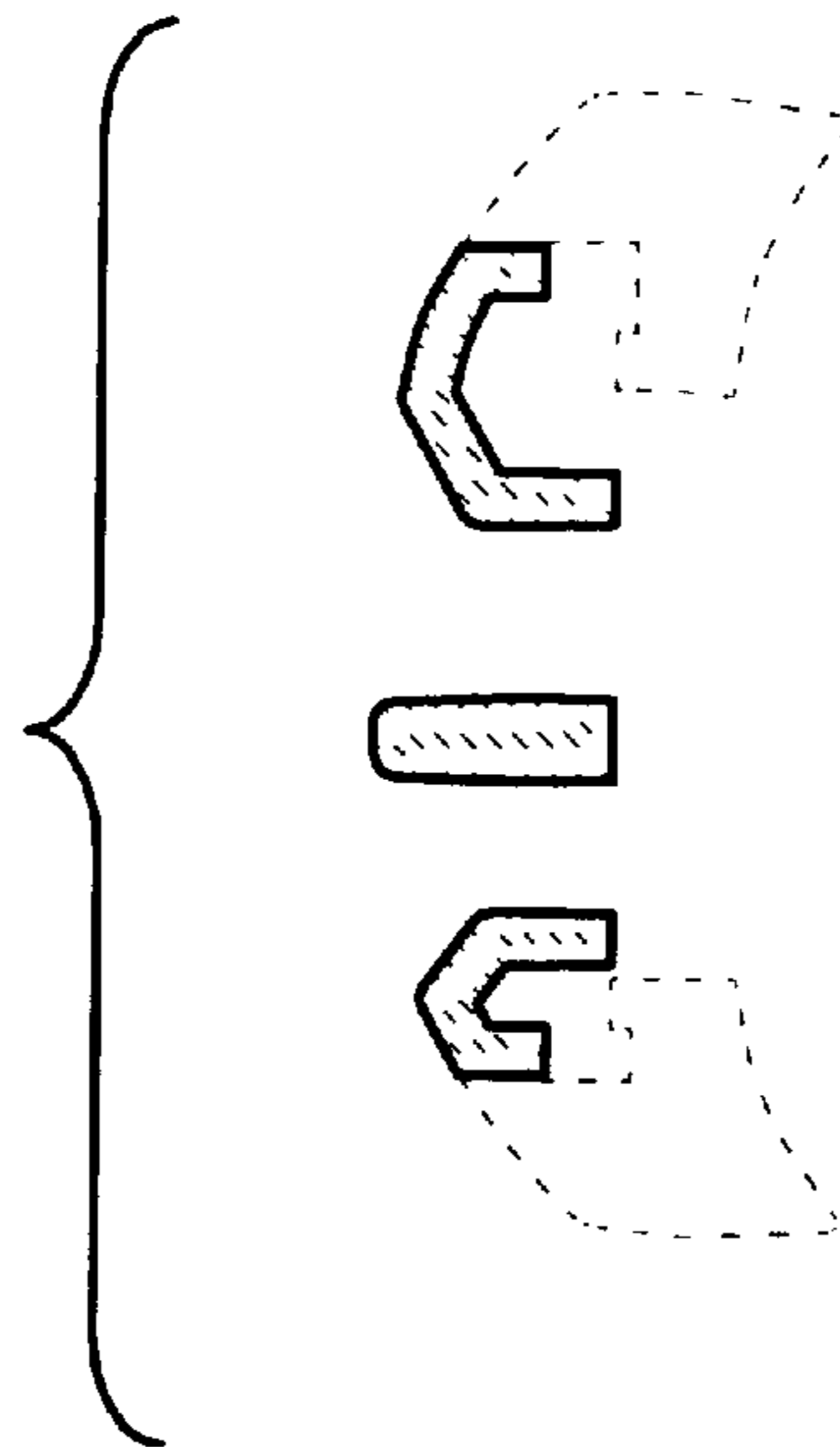


Figure 8

