

US00D529123S

(12) **United States Design Patent**
Nago

(10) **Patent No.:** **US D529,123 S**

(45) **Date of Patent:** **** Sep. 26, 2006**

(54) **FISHING REEL**

D443,017 S * 5/2001 Alden D22/140
D515,656 S * 2/2006 Lepage et al. D22/140

(75) Inventor: **Akira Nago**, Sakai (JP)

* cited by examiner

(73) Assignee: **Shimano Inc.**, Osaka (JP)

Primary Examiner—Catherine R. Oliver

(**) Term: **14 Years**

(74) *Attorney, Agent, or Firm*—Global IP Counselors, LLP

(21) Appl. No.: **29/236,074**

(57) **CLAIM**

(22) Filed: **Aug. 11, 2005**

The ornamental design for a fishing reel, as shown and described.

(30) **Foreign Application Priority Data**

DESCRIPTION

Feb. 25, 2005 (JP) 2005-005328

FIG. 1 is a top perspective view of the fishing reel in accordance with my new design;

(51) **LOC (8) Cl.** **22-05**

FIG. 2 is a bottom perspective view of the fishing reel in accordance with my design;

(52) **U.S. Cl.** **D22/140**

FIG. 3 is a front elevational view of the fishing reel in accordance with my design;

(58) **Field of Classification Search** D22/140,
D22/141, 137–139; 242/318–322, 311, 295,
242/234–240

FIG. 4 is a rear elevational view of the fishing reel in accordance with my new design;

See application file for complete search history.

FIG. 5 is a left side view of the fishing reel in accordance with my new design;

(56) **References Cited**

FIG. 6 is a right side view of the fishing reel in accordance with my new design;

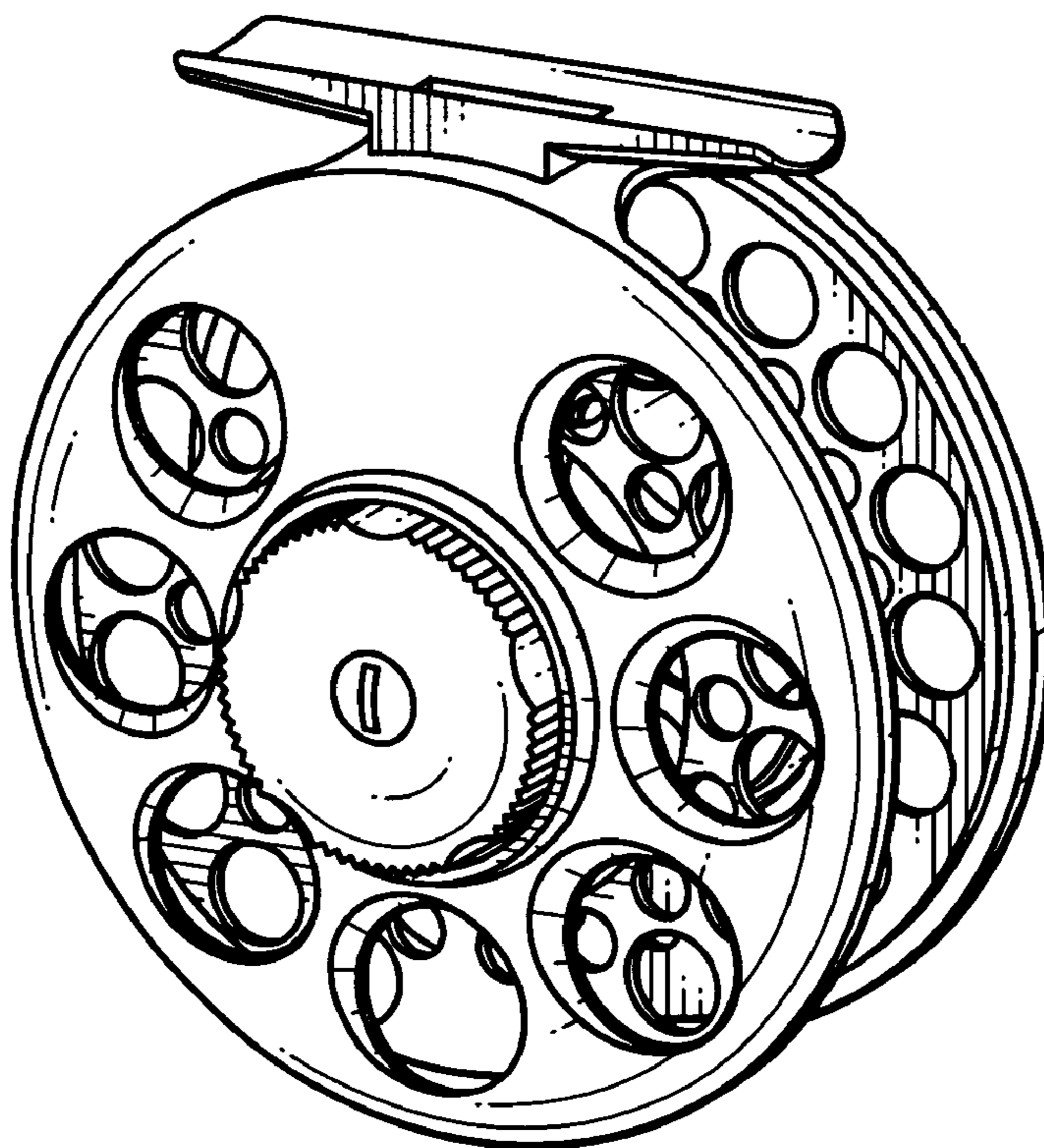
U.S. PATENT DOCUMENTS

FIG. 7 is a top plan view of the fishing reel in accordance with my new design; and,

D353,643 S * 12/1994 Shipley D22/140
D360,928 S * 8/1995 Bogner D22/140
D371,823 S * 7/1996 Charlton D22/140
6,003,800 A * 12/1999 Adenot et al. 242/322

FIG. 8 is a bottom plan view of the fishing reel in accordance with my new design.

1 Claim, 4 Drawing Sheets



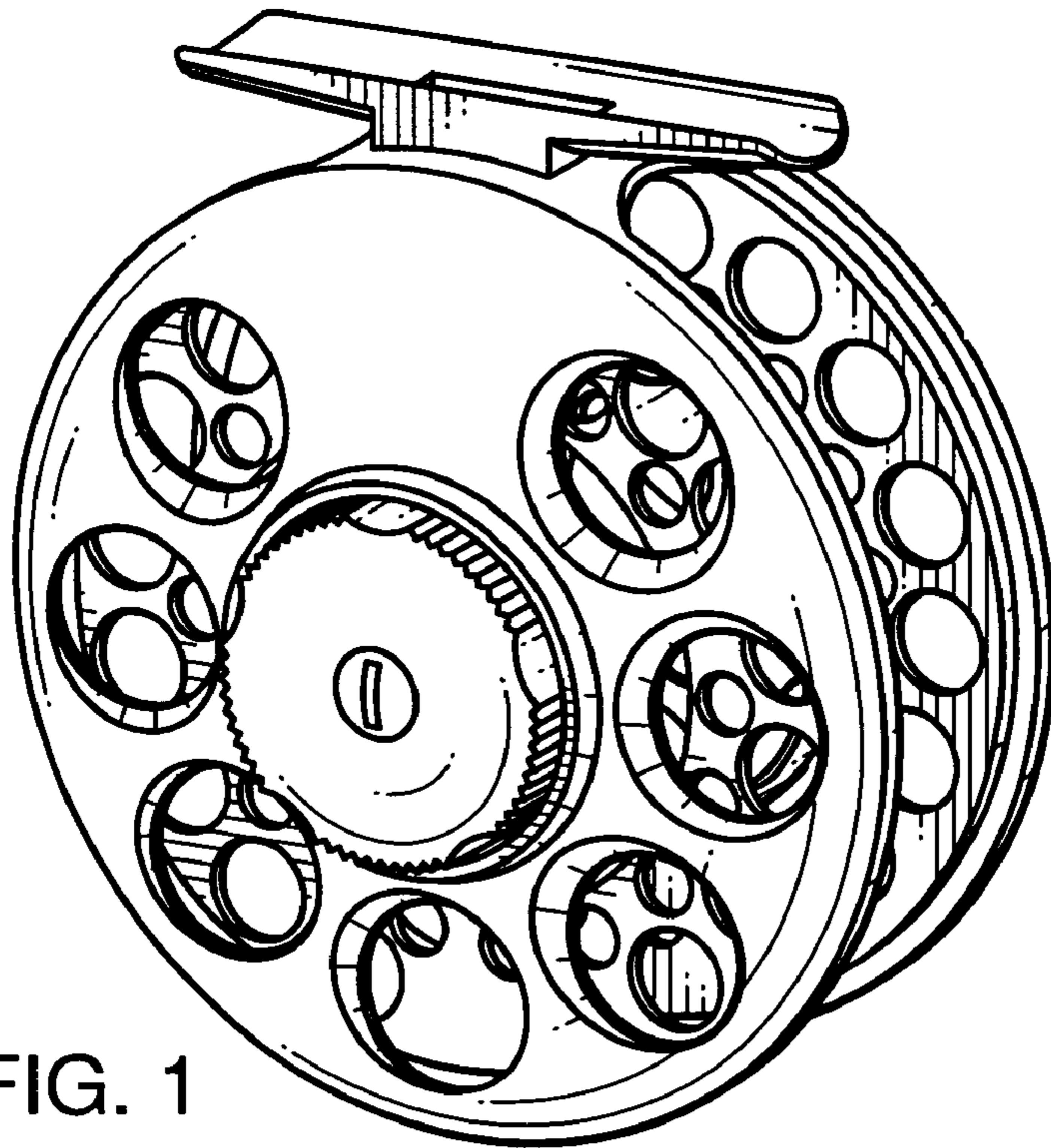


FIG. 1

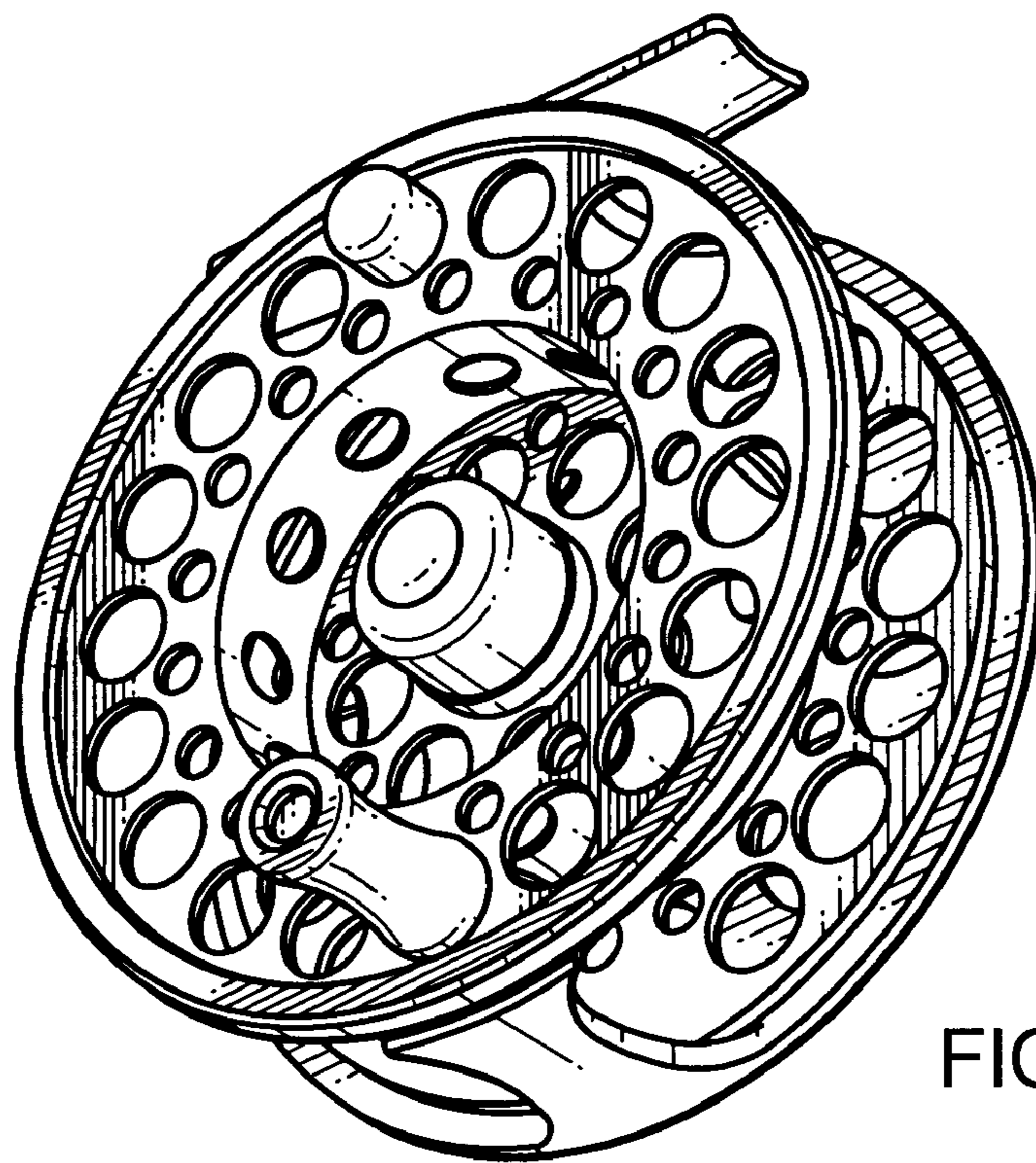


FIG. 2

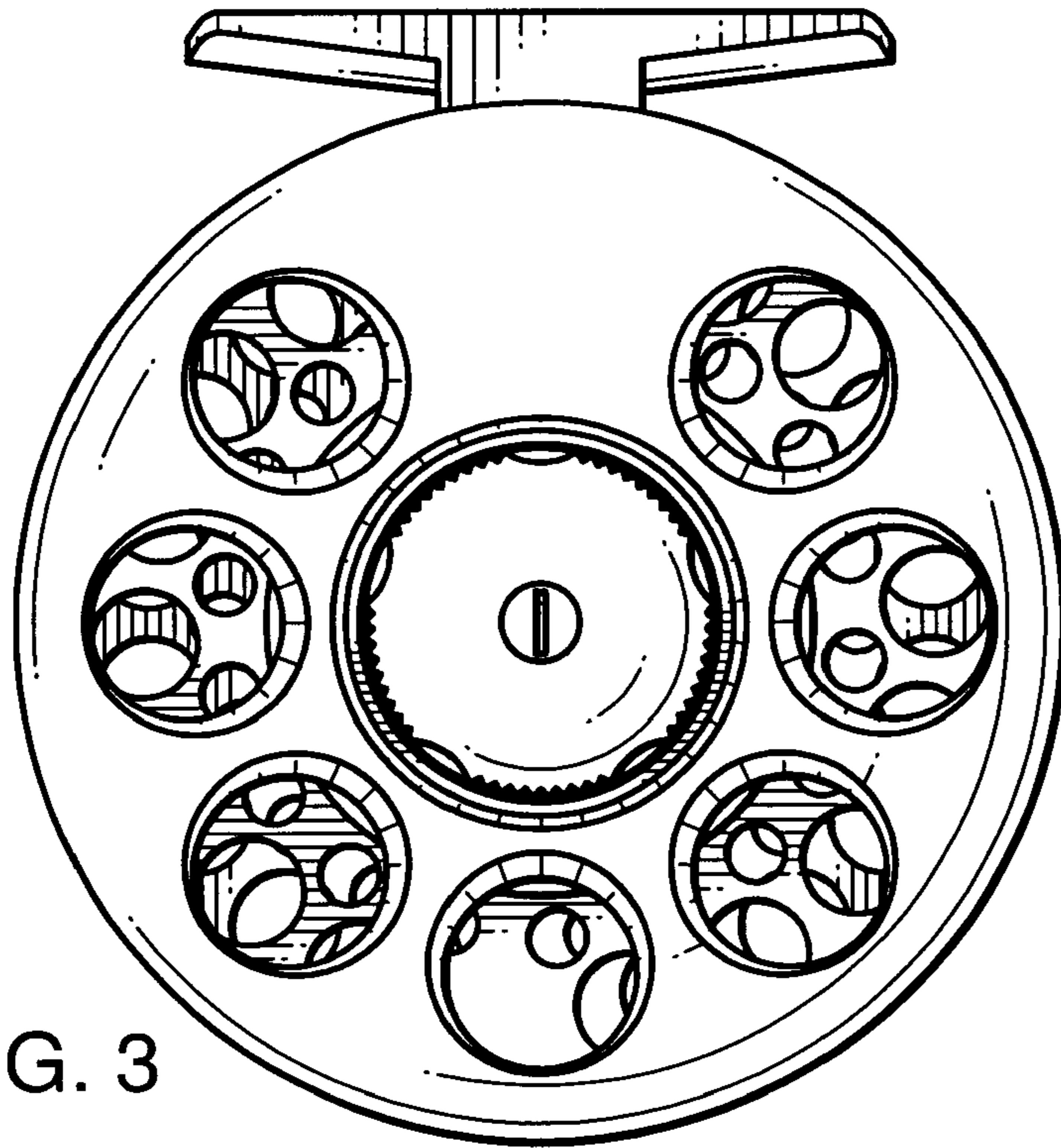


FIG. 3

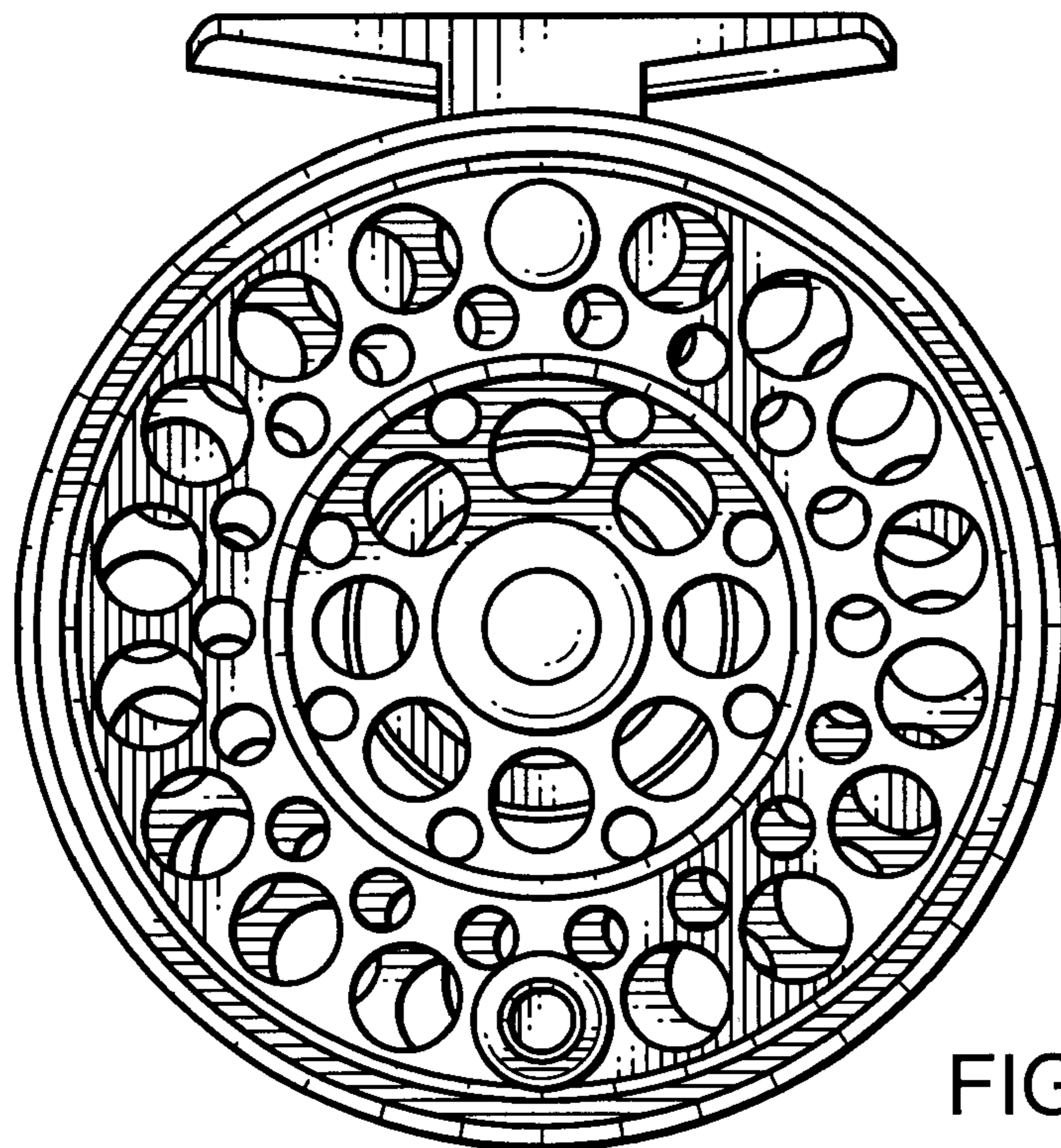


FIG. 4

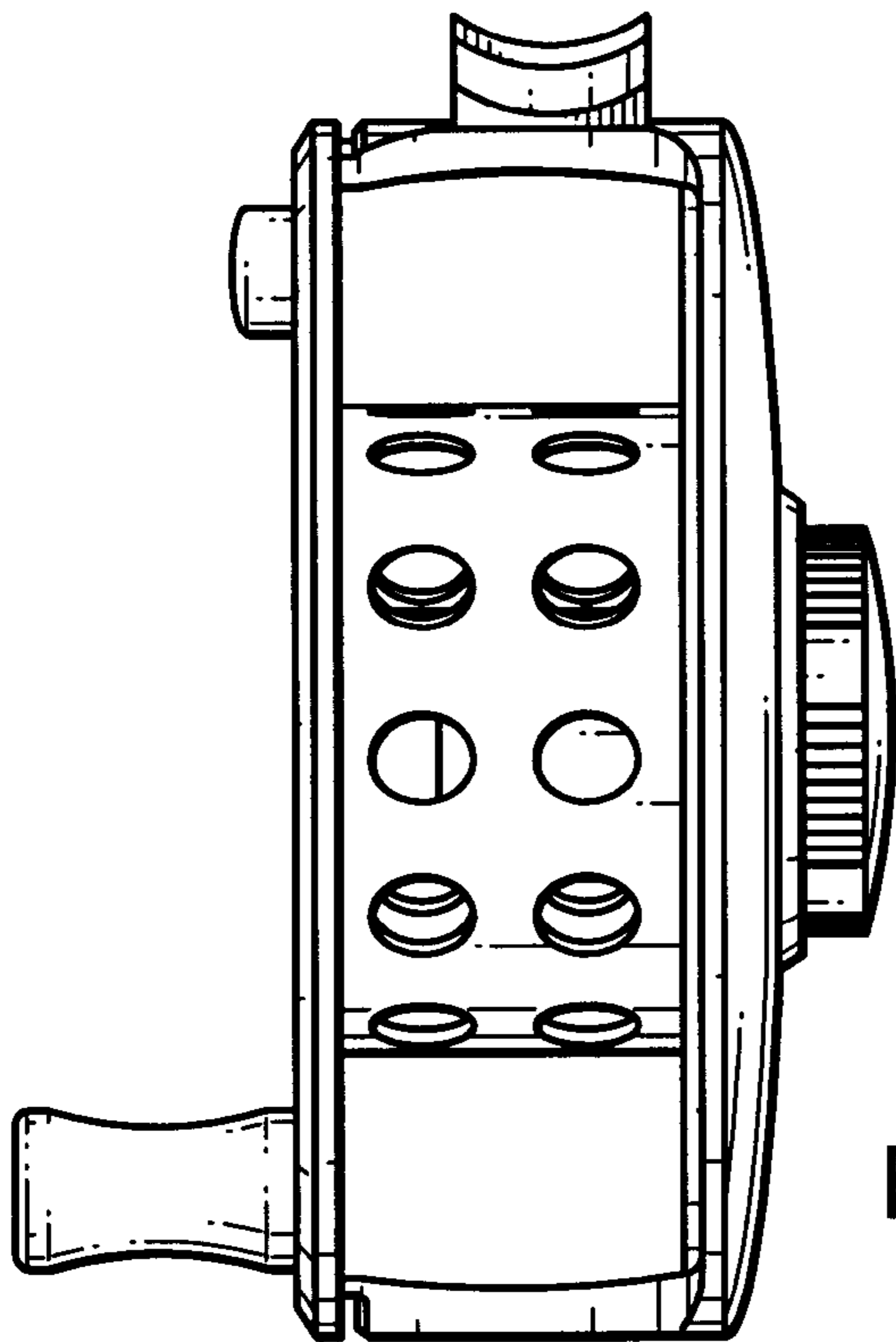


FIG. 5

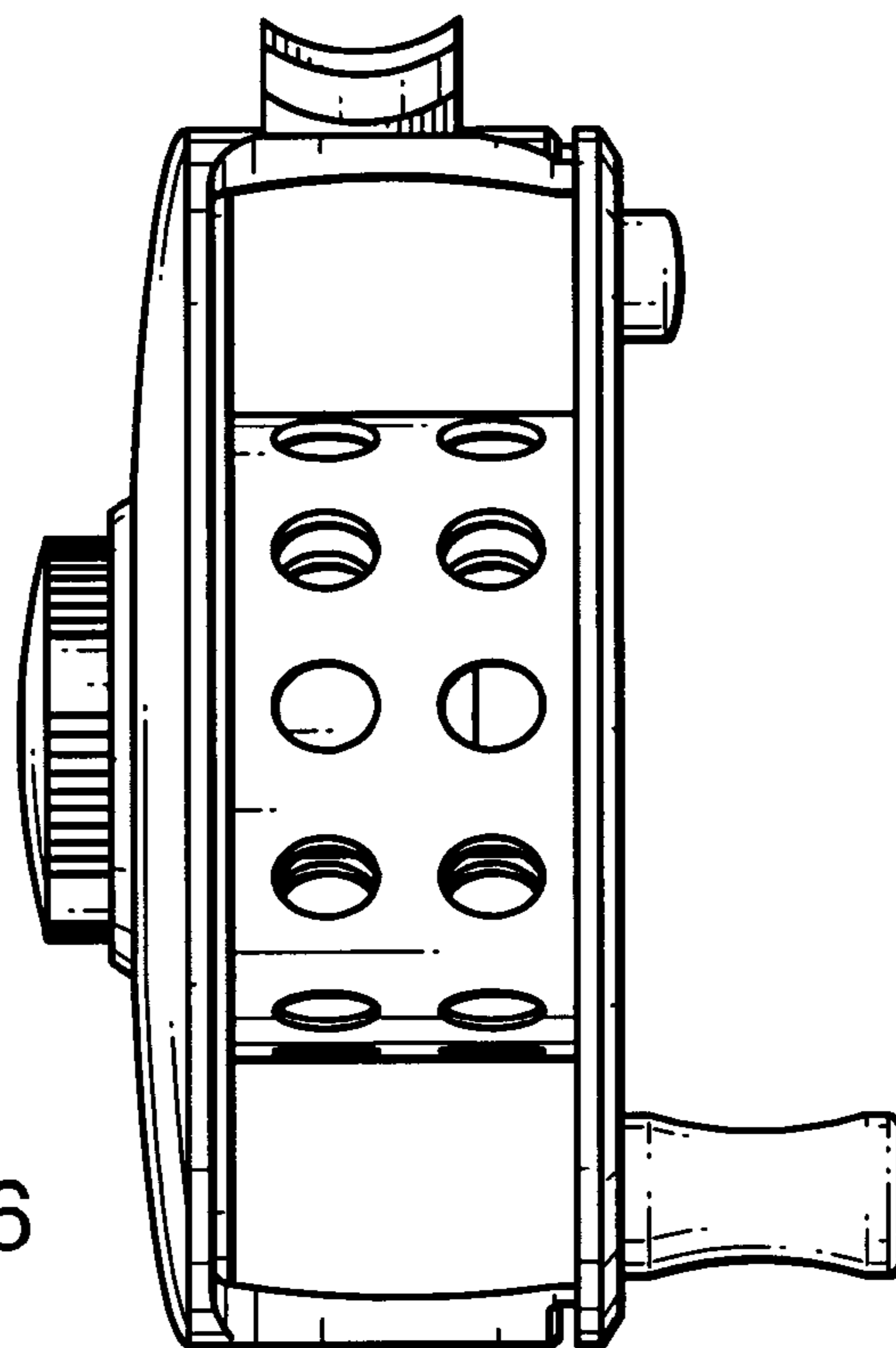


FIG. 6

FIG. 7

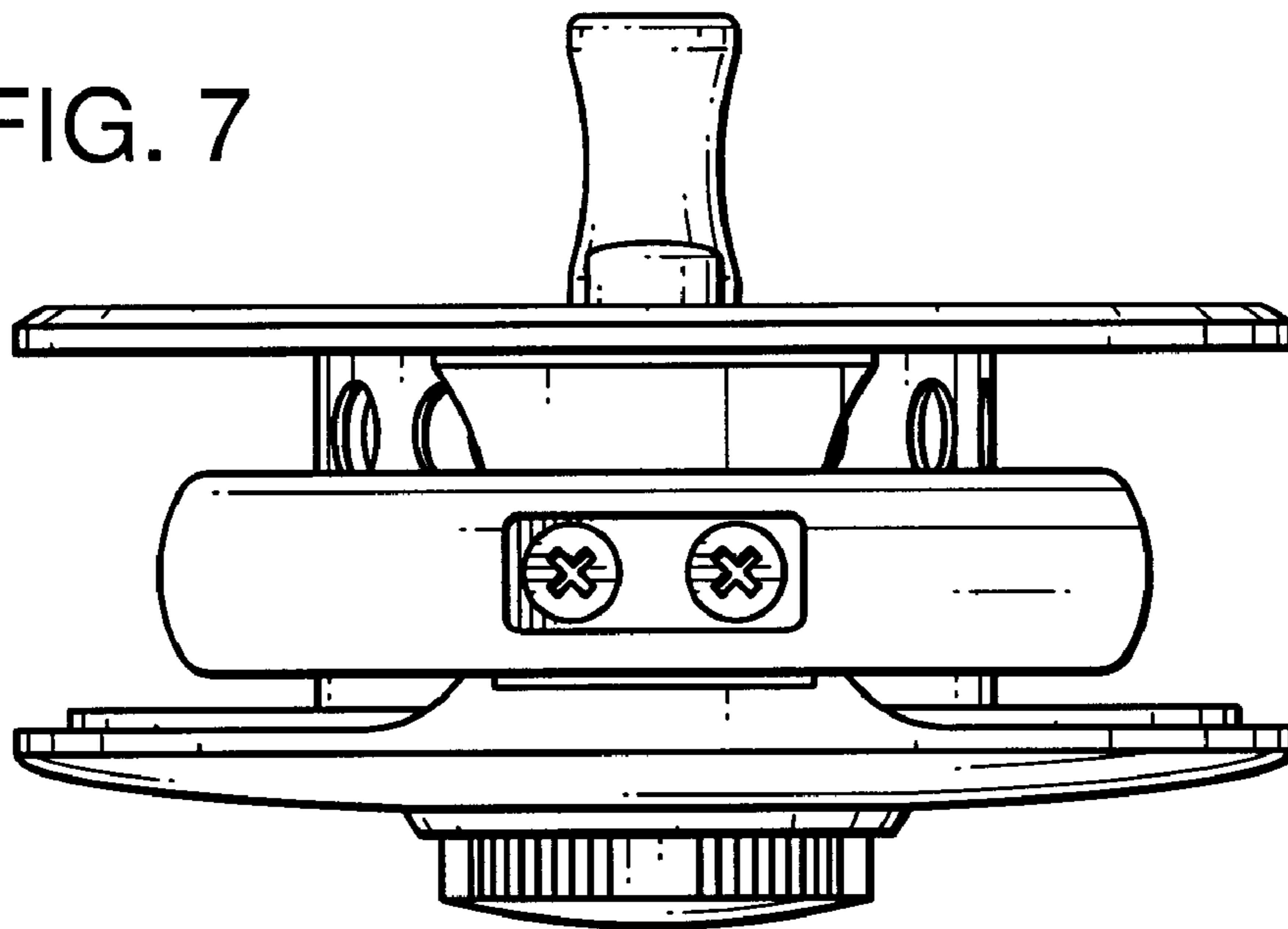


FIG. 8

