



US00D529122S

(12) **United States Design Patent**
Petranoff

(10) **Patent No.:** **US D529,122 S**

(45) **Date of Patent:** **** Sep. 26, 2006**

(54) **JAVELIN**

(76) Inventor: **Thomas A. Petranoff**, 660 Laten
Knight Rd., Cranston, RI (US) 02921

(**) Term: **14 Years**

(21) Appl. No.: **29/217,754**

(22) Filed: **Nov. 22, 2004**

(51) **LOC (8) Cl.** **22-03**

(52) **U.S. Cl.** **D22/115**

(58) **Field of Classification Search** D21/707,
D21/387; D22/100, 115, 117, 118; 473/585,
473/586, 613; 482/20

See application file for complete search history.

(56) **References Cited**

U.S. PATENT DOCUMENTS

D66,390	S	*	1/1925	Wilkie	D21/387
2,196,610	A		4/1940	Schlademan et al.		
2,277,743	A		3/1942	Crossman		
3,746,333	A		7/1973	Stubblefield	272/59 R
3,915,092	A	*	10/1975	Monson et al.	473/585
4,204,307	A		5/1980	Pfetzing	29/407
4,333,643	A		6/1982	Saffire	273/106
4,457,514	A		7/1984	Paxman	273/420
4,946,172	A		8/1990	Wong	273/420
5,067,728	A		11/1991	Dadbeh	273/420
5,267,735	A		12/1993	Bushman	273/428
5,443,273	A		8/1995	Lovorn	273/423
D435,612	S		12/2000	Petranoff	D21/707
D489,116	S	*	4/2004	Watson et al.	D22/115
2006/0019280	A1	*	1/2006	Chen et al.	435/6

OTHER PUBLICATIONS

M-F Athletic: Track & Field Catalog. 2003. p. 5. middle right side of page.*

* cited by examiner

Primary Examiner—Charles A. Rademaker

Assistant Examiner—Melanie Levy

(74) *Attorney, Agent, or Firm*—Barlow, Joseph & Holmes, Ltd.

(57) **CLAIM**

I claim the ornamental design for a javelin, as shown and described.

DESCRIPTION

FIG. 1 is a rear perspective view of a first embodiment of the javelin showing my new design;

FIG. 2 is a front perspective view thereof;

FIG. 3 is a right side elevational view thereof; the left side elevational view being a mirror image thereof;

FIG. 4 is a top plan view thereof;

FIG. 5 is a bottom plan view thereof;

FIG. 6 is an enlarged front elevational view thereof;

FIG. 7 is an enlarged rear elevational view thereof;

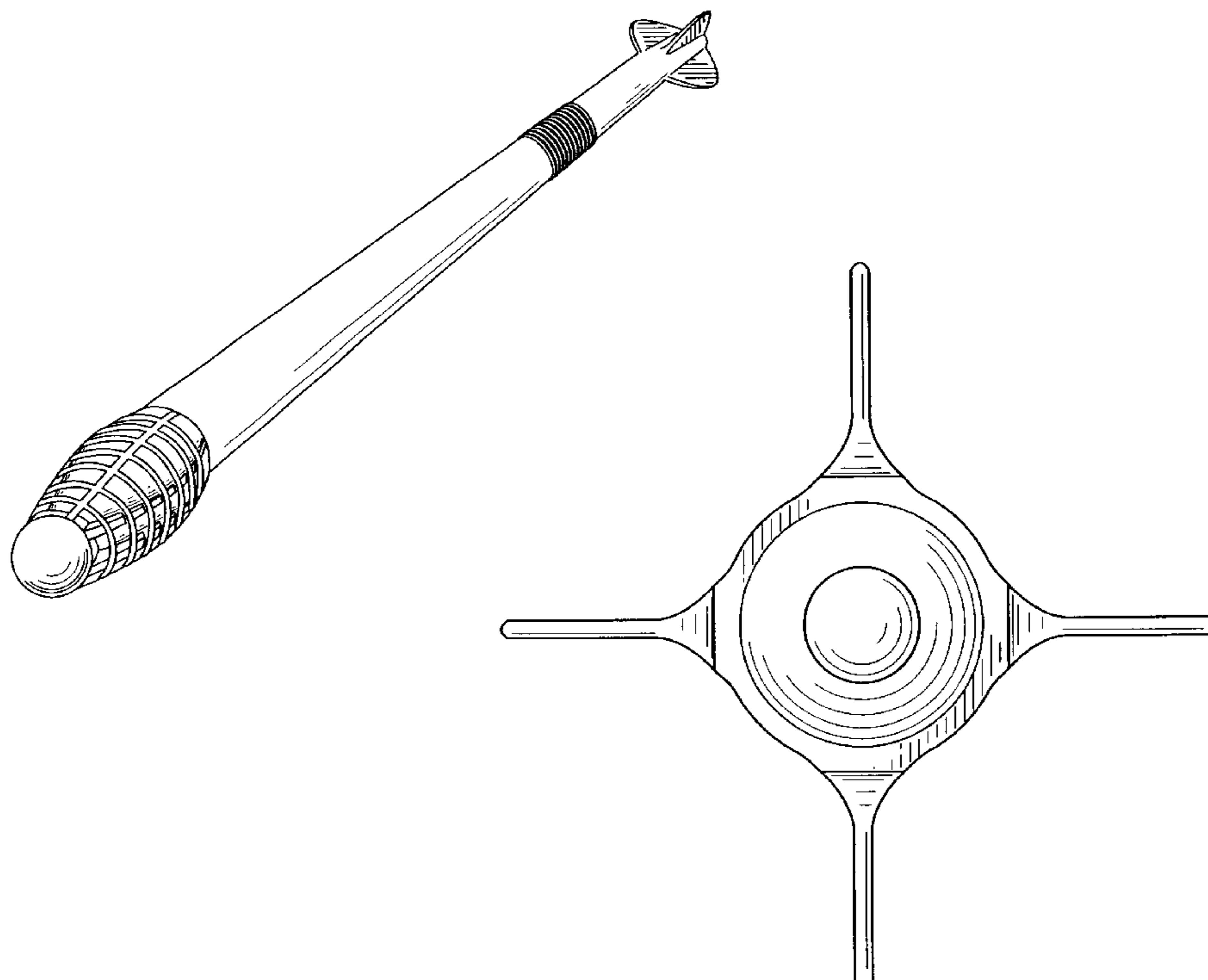
FIG. 8 is a front perspective view of a second embodiment of the javelin showing my new design;

FIG. 9 is a left side elevational view of the embodiment of FIG. 8; the right side elevational view being a mirror image thereof;

FIG. 10 is a top view of the embodiment of FIG. 8; the bottom view thereof being a mirror image thereof; and,

FIG. 11 is a front view of the embodiment of FIG. 8.

1 Claim, 7 Drawing Sheets



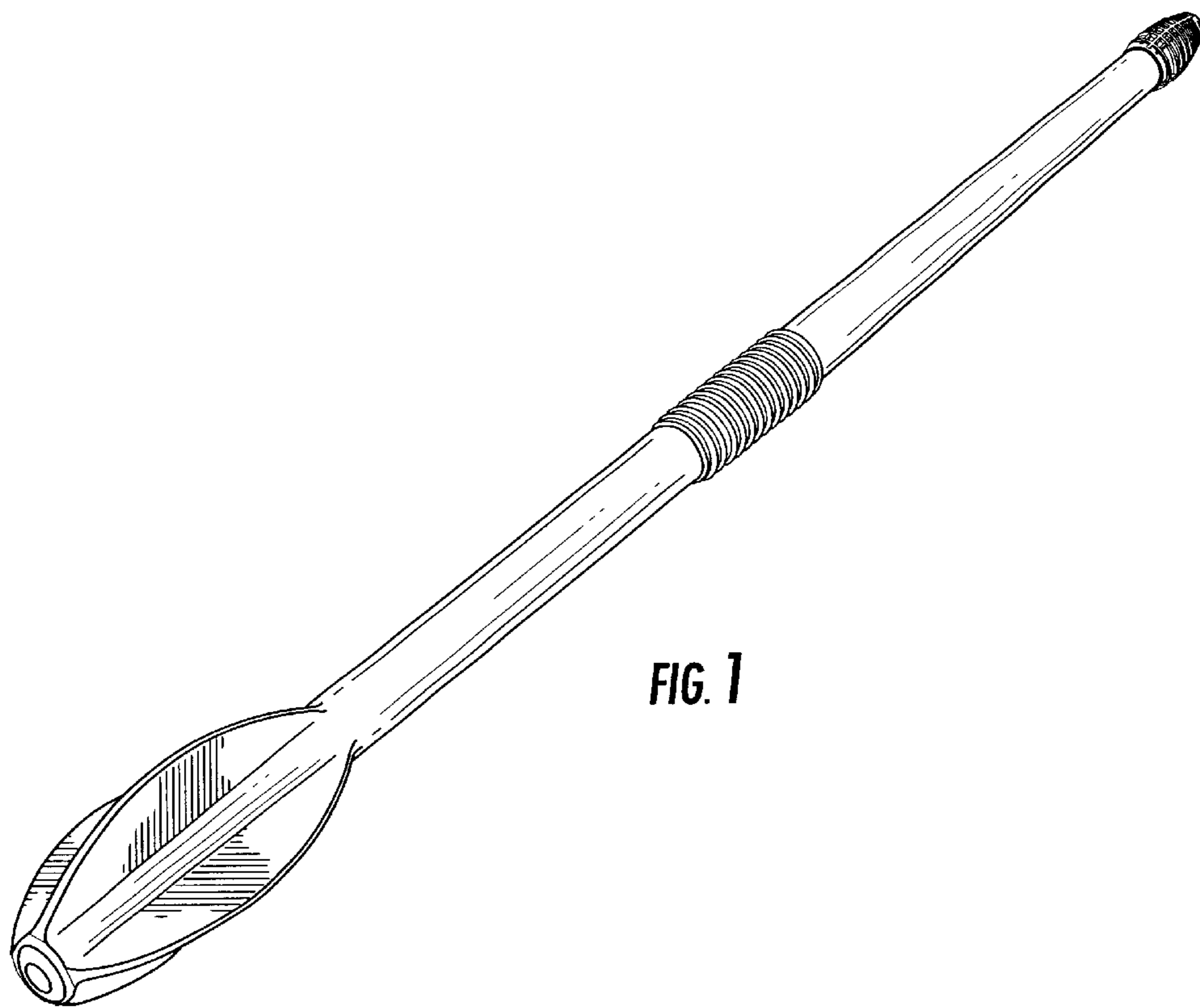


FIG. 1

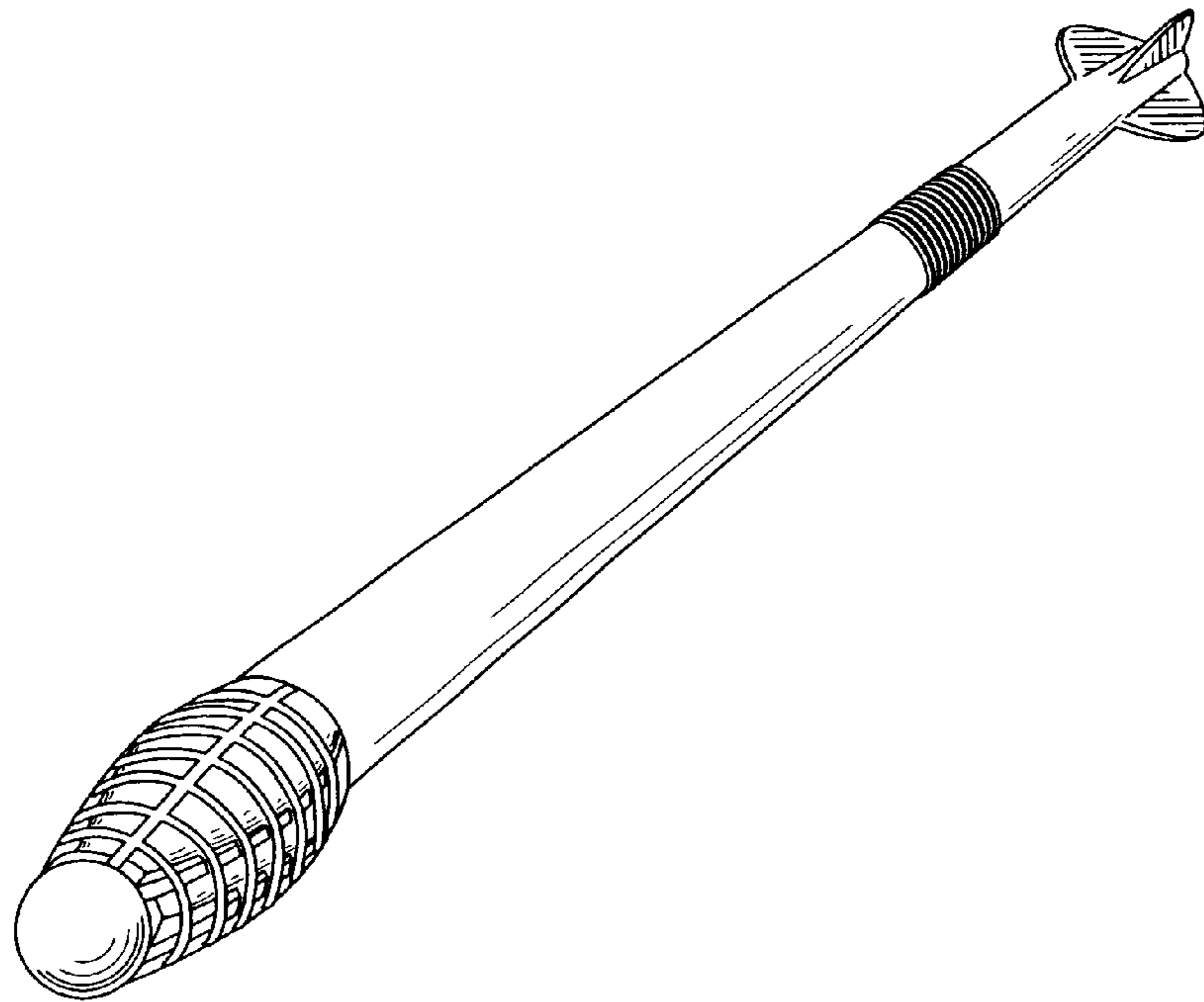


FIG. 2

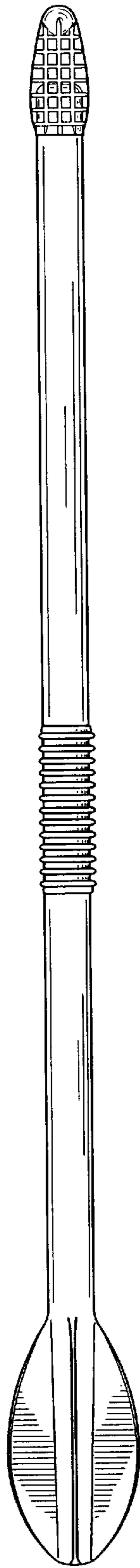


FIG. 3

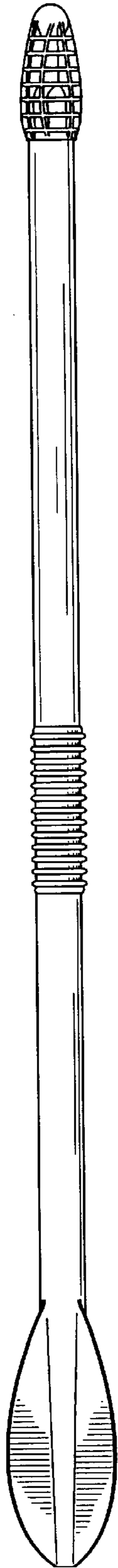


FIG. 4

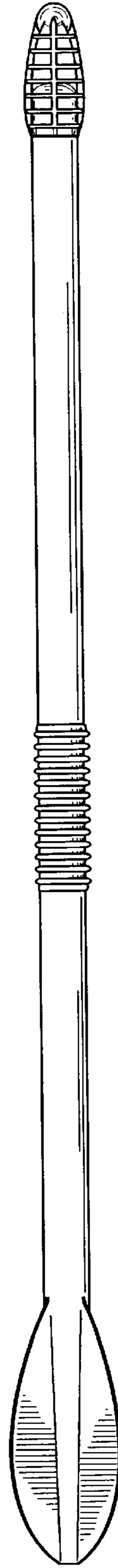


FIG. 5

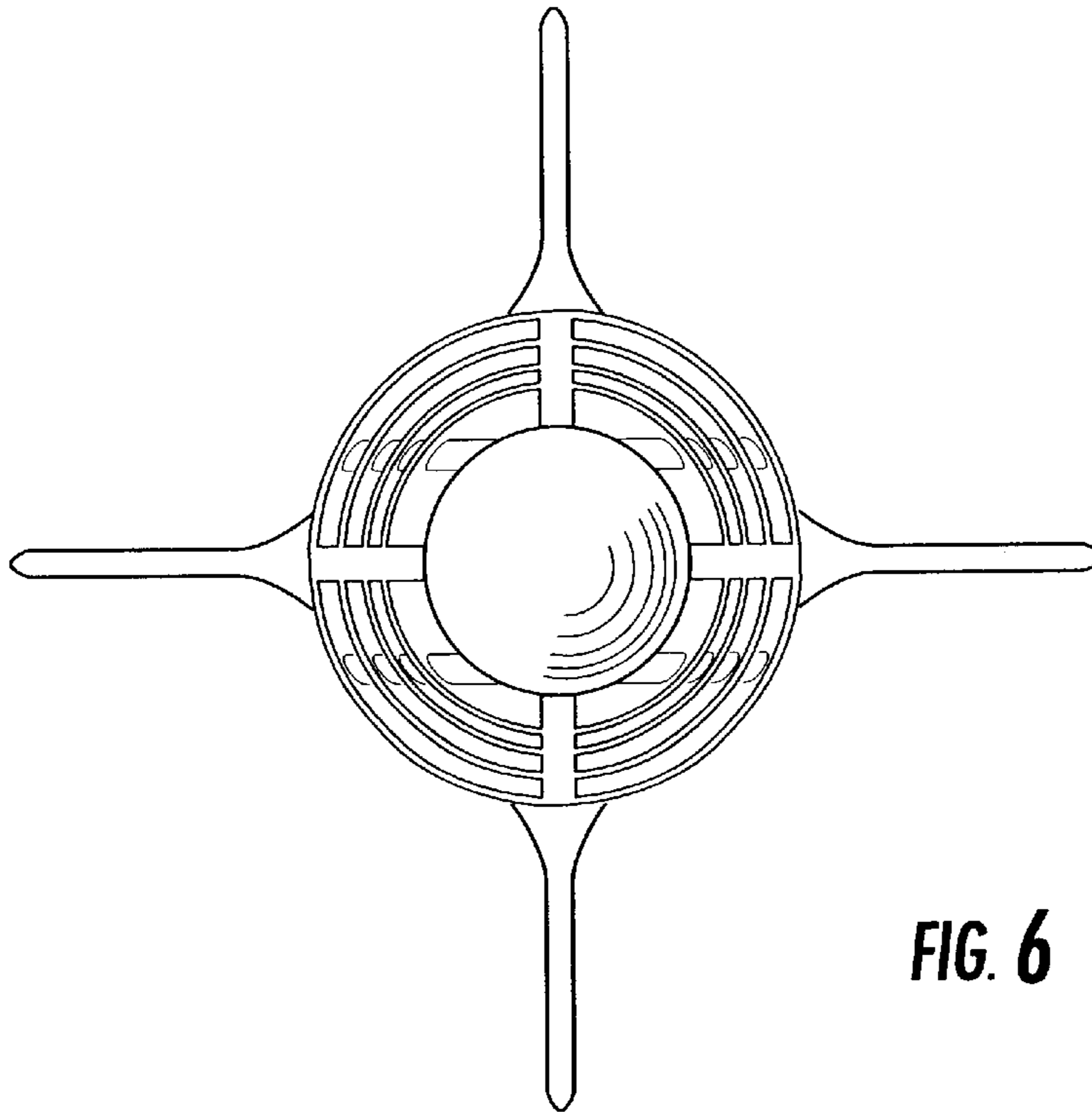


FIG. 6

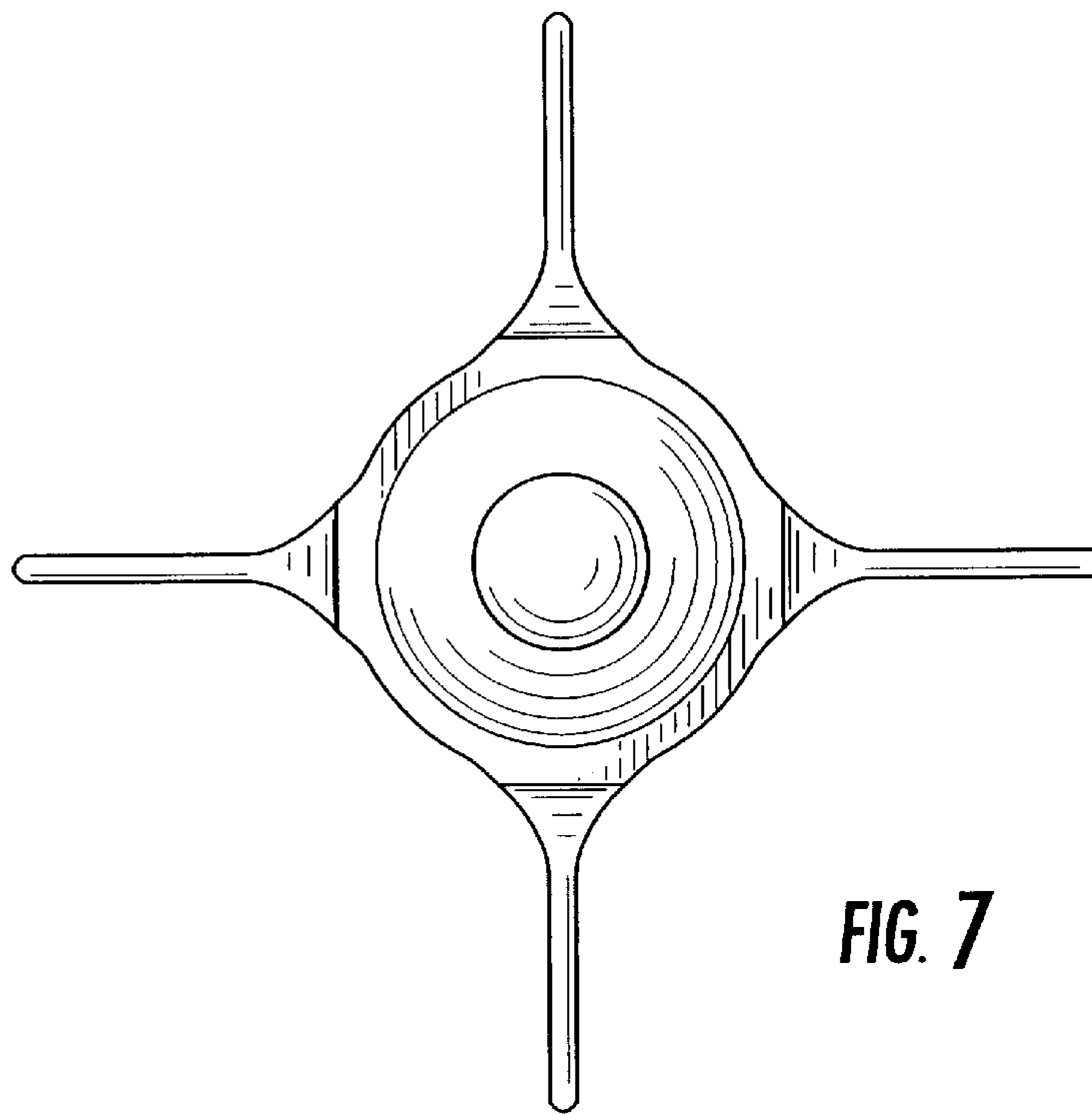


FIG. 7

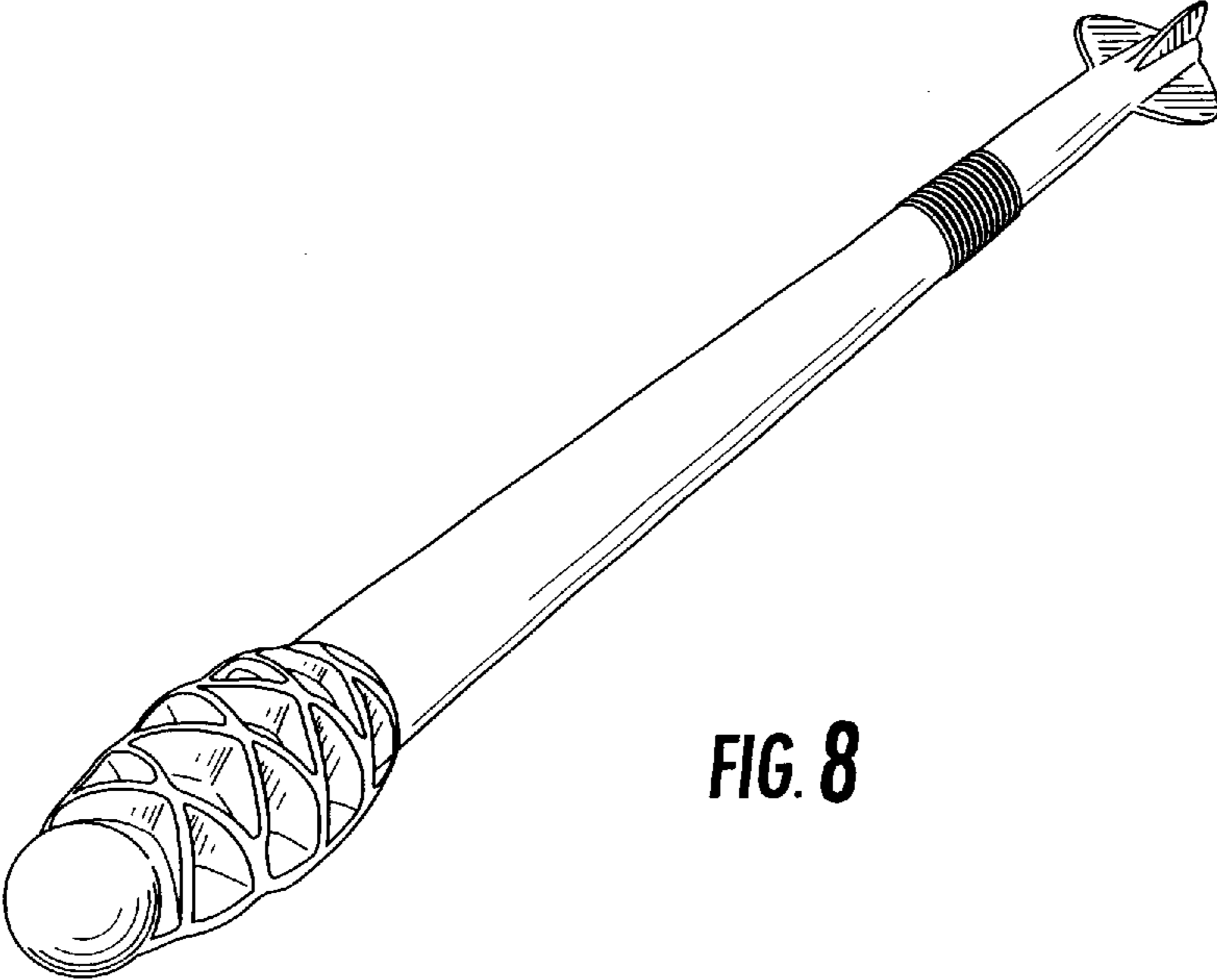


FIG. 8

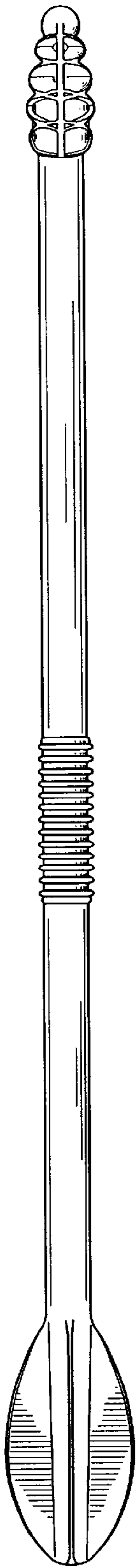


FIG. 9

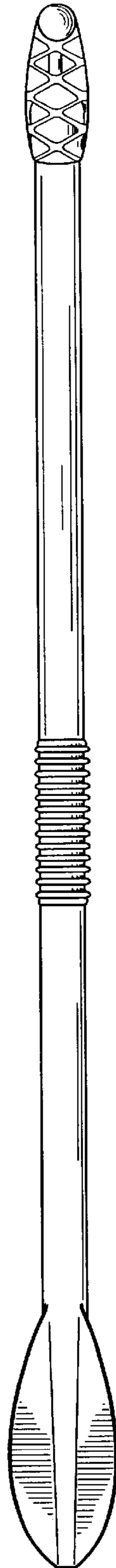


FIG. 10

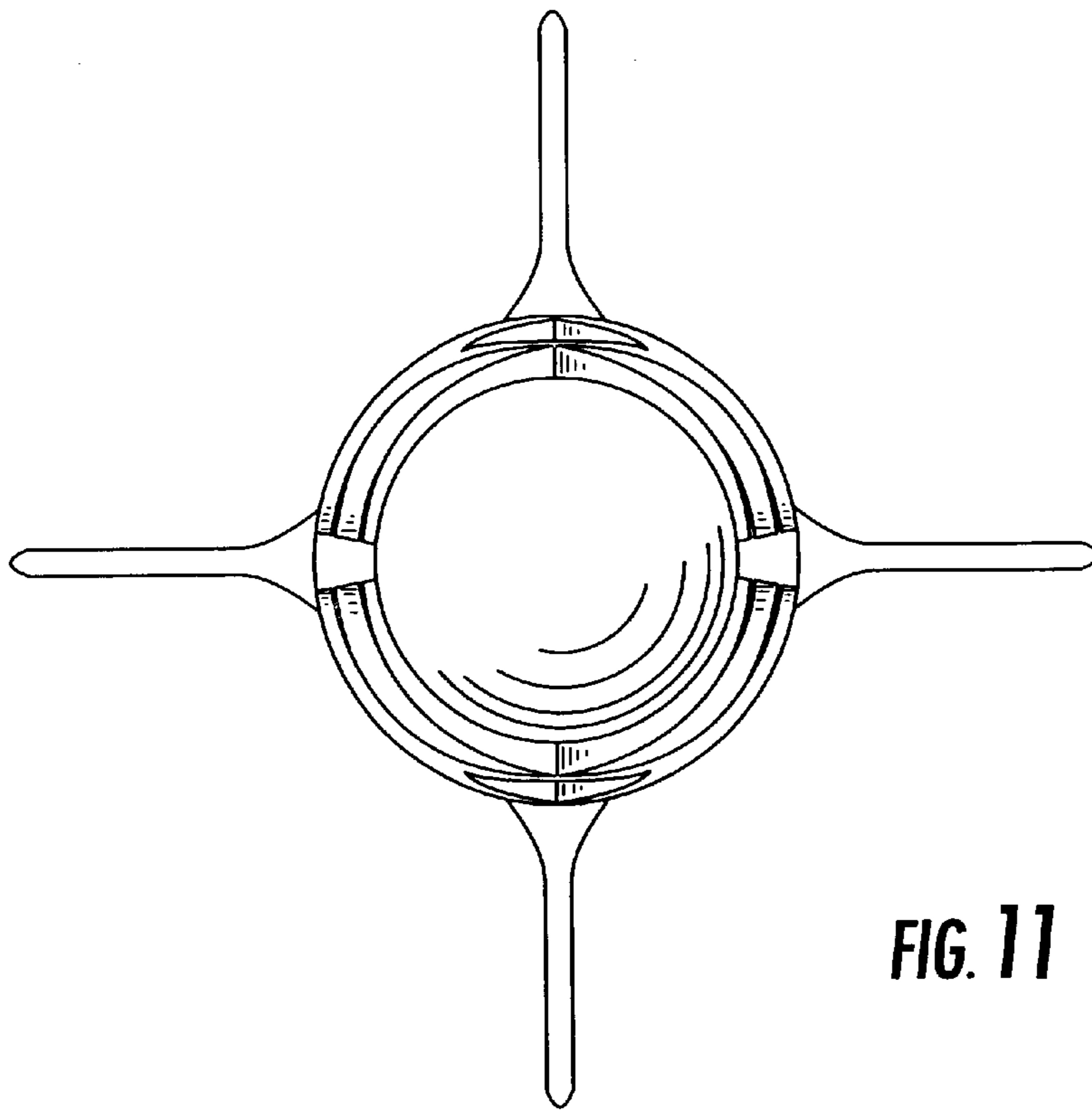


FIG. 11