

US00D529121S

(12) **United States Design Patent**  
**Lam**

(10) **Patent No.:** **US D529,121 S**

(45) **Date of Patent:** **\*\* Sep. 26, 2006**

(54) **FIRECRACKER**

(75) Inventor: **K. K. Lam**, Hong Kong (HK)

(73) Assignee: **M.K. International Ltd.**, Hong Kong (CN)

(\*\*) Term: **14 Years**

(21) Appl. No.: **29/217,082**

(22) Filed: **Nov. 12, 2004**

(51) **LOC (8) Cl.** ..... **22-01**

(52) **U.S. Cl.** ..... **D22/112**

(58) **Field of Classification Search** ..... D22/112-199;  
102/355-361, 330; 446/213, 398; 472/66;  
86/20.1, 20.11, 20.12, 20.13, 20.14, 20.15,  
86/21.22; D20/17, 40

See application file for complete search history.

(56) **References Cited**

U.S. PATENT DOCUMENTS

619,177	A	*	2/1899	Hinton	.....	102/361
4,566,388	A	*	1/1986	Loyd, Jr.	.....	102/361
5,181,775	A	*	1/1993	Lan	.....	446/398
5,343,808	A	*	9/1994	Collar	.....	102/361

5,481,979	A	*	1/1996	Walder	.....	102/498
D427,274	S	*	6/2000	Hicks	.....	D22/199
D449,669	S	*	10/2001	sik-bun	.....	D22/112
6,722,251	B1	*	4/2004	Keeling et al.	.....	102/322
6,749,481	B1	*	6/2004	Yap et al.	.....	446/213
D499,638	S	*	12/2004	Marietta	.....	D22/112
6,901,865	B1	*	6/2005	Thomson et al.	.....	102/319

\* cited by examiner

*Primary Examiner*—Ian Simmons

*Assistant Examiner*—Melanie Levy

(74) *Attorney, Agent, or Firm*—Alix, Yale & Ristas, LLP

(57) **CLAIM**

The ornamental design for a firecracker, as shown and described.

**DESCRIPTION**

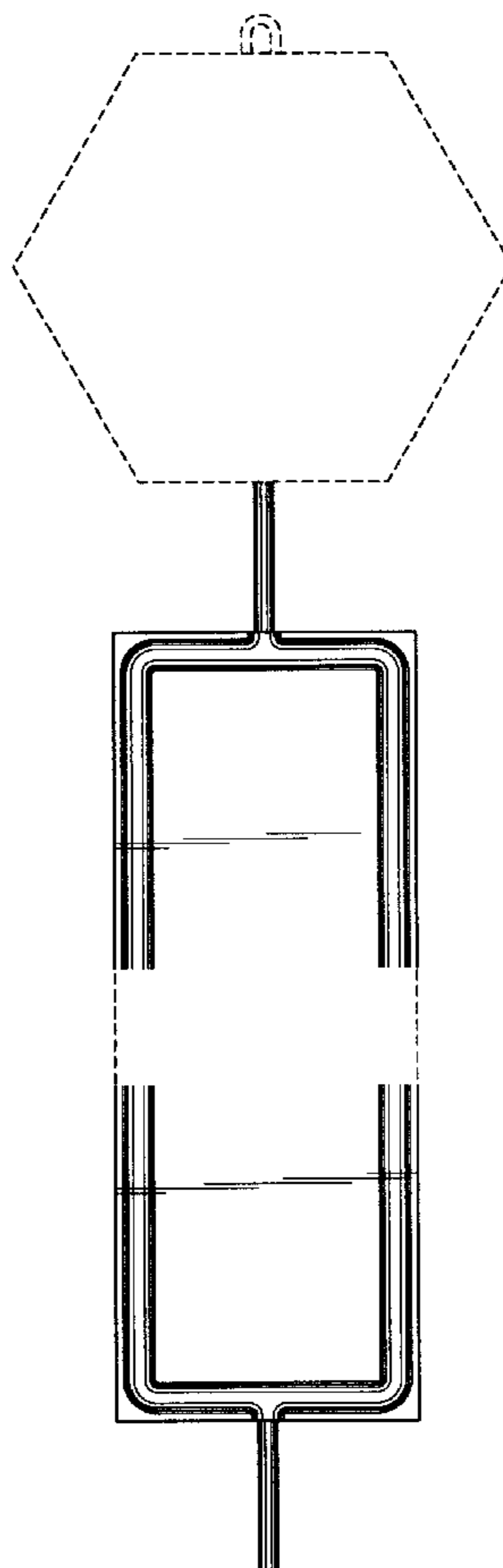
FIG. 1 is a front elevational view of a firecracker showing my new design;

FIG. 2 is a side elevational view thereof; and,

FIG. 3 is a bottom plan view thereof.

The broken lines in the figures are for illustrative purposes only and forms no part of the claimed design.

**1 Claim, 2 Drawing Sheets**



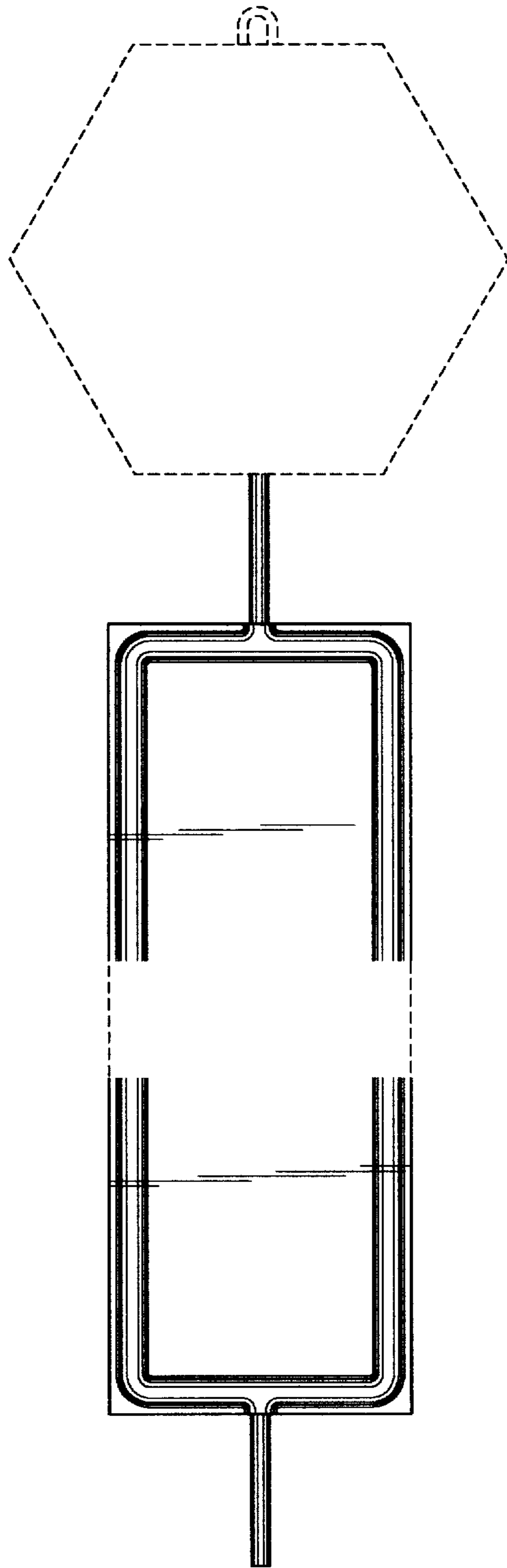


FIG. 1

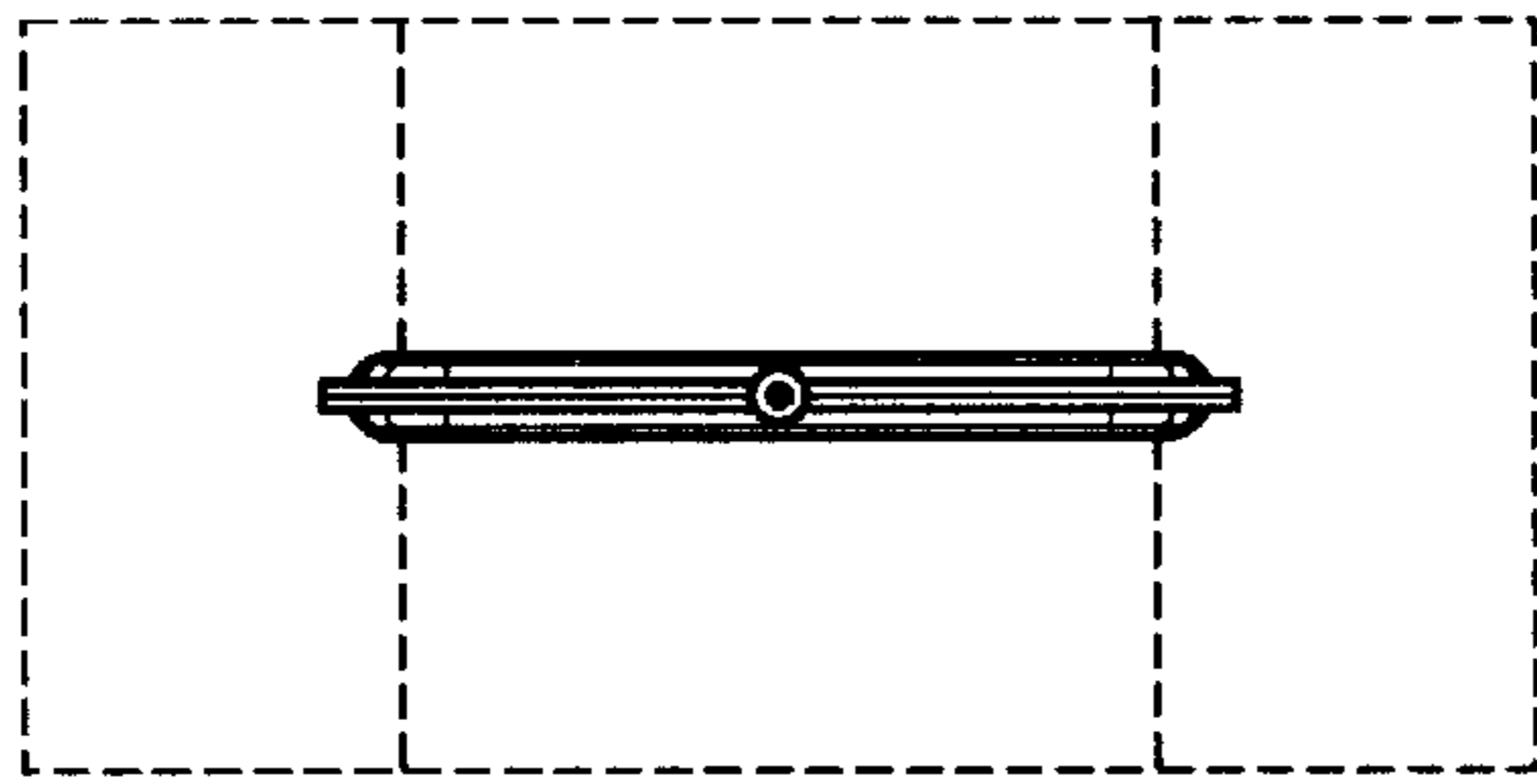


FIG. 3

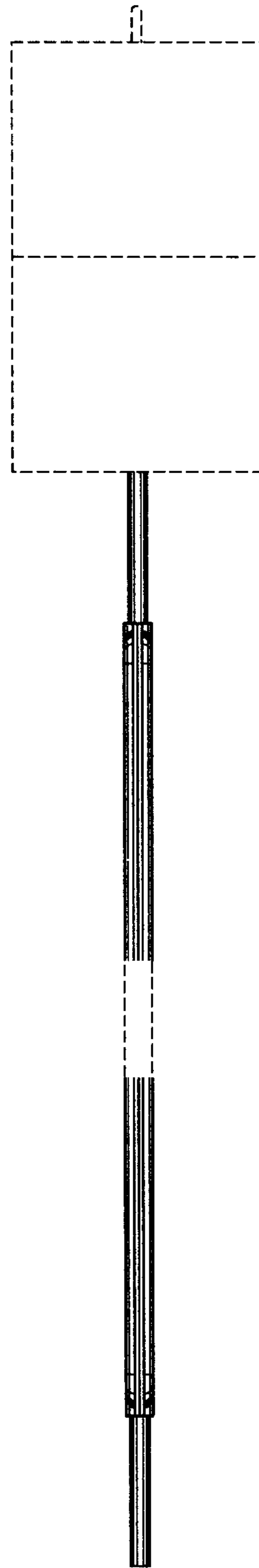


FIG. 2