

US00D529119S

(12) **United States Design Patent**  
**Zamperla et al.**

(10) **Patent No.:** **US D529,119 S**

(45) **Date of Patent:** **\*\* Sep. 26, 2006**

(54) **AMUSEMENT RIDE**

(75) Inventors: **Alberto Zamperla**, Vicenza (IT);  
**Antonio Nardin**, Olmo (IT)

(73) Assignee: **Antonio Zamperla S.P.A.**, Vicenza (IT)

(\*\*) Term: **14 Years**

(21) Appl. No.: **29/217,540**

(22) Filed: **Nov. 17, 2004**

(51) **LOC (8) Cl.** ..... **21-03**

(52) **U.S. Cl.** ..... **D21/833**

(58) **Field of Classification Search** ..... D21/833,  
D21/811, 814, 828, 831; 472/95-105, 130,  
472/135; 482/35

See application file for complete search history.

(56) **References Cited**

**U.S. PATENT DOCUMENTS**

D226,931 S	*	5/1973	Wormser	.....	D21/833
D366,513 S	*	1/1996	Crowe et al.	.....	D21/833
D382,324 S	*	8/1997	Shinzato	.....	D21/833

\* cited by examiner

*Primary Examiner*—Mitchell Siegel

(74) *Attorney, Agent, or Firm*—Kenyon & Kenyon LLP

(57) **CLAIM**

The ornamental design for an amusement ride, as shown and described.

**DESCRIPTION**

FIG. 1 is a right side perspective view of an amusement ride showing my new design, the undisclosed opposite side being a mirror image,

FIG. 2 is a front view thereof,

FIG. 3 is a rear view thereof,

FIG. 4 is a right side perspective view of a second embodiment of the amusement ride disclosed in FIG. 1, the undisclosed opposite side being a mirror image,

FIG. 5 is a front view of FIG. 4,

FIG. 6 is a rear view of FIG. 4,

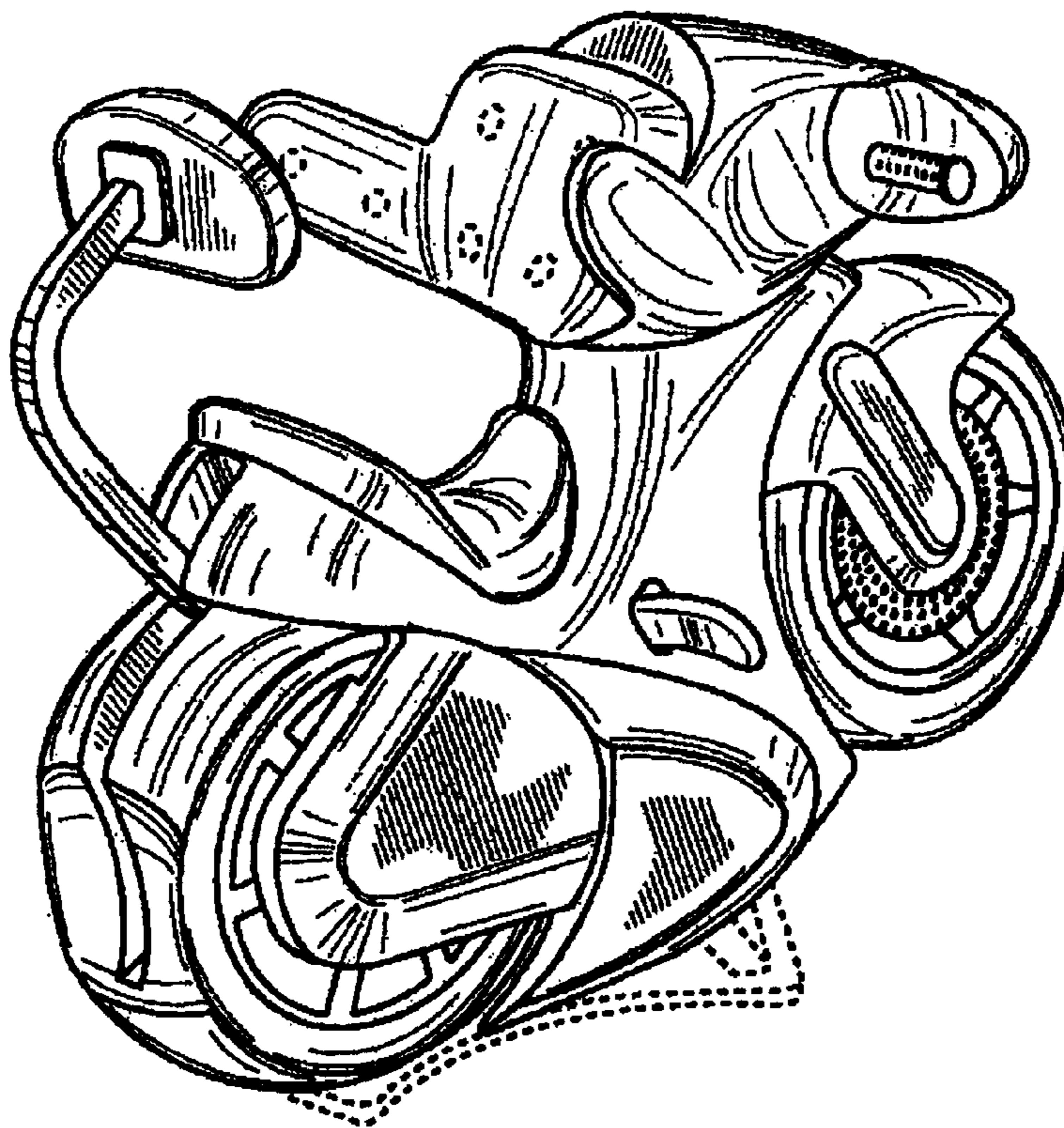
FIG. 7 is a right side perspective view of a third embodiment of the amusement ride disclosed in FIG. 1, the undisclosed opposite side being a mirror image,

FIG. 8 is a front view of FIG. 7; and,

FIG. 9 is a rear view of FIG. 4.

The broken line showing is for illustrative purposes only and forms no part of the claimed design.

**1 Claim, 6 Drawing Sheets**



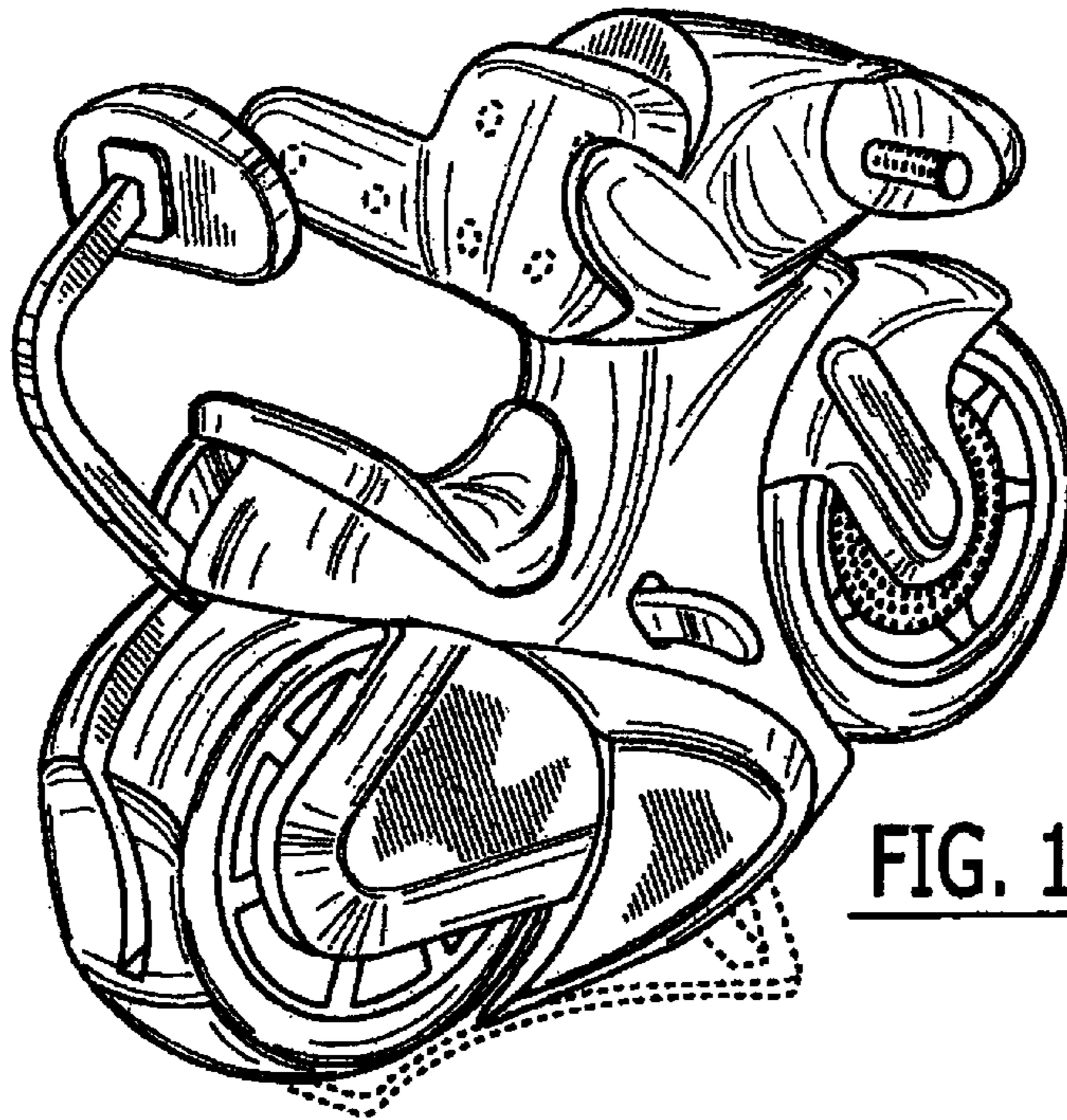


FIG. 1

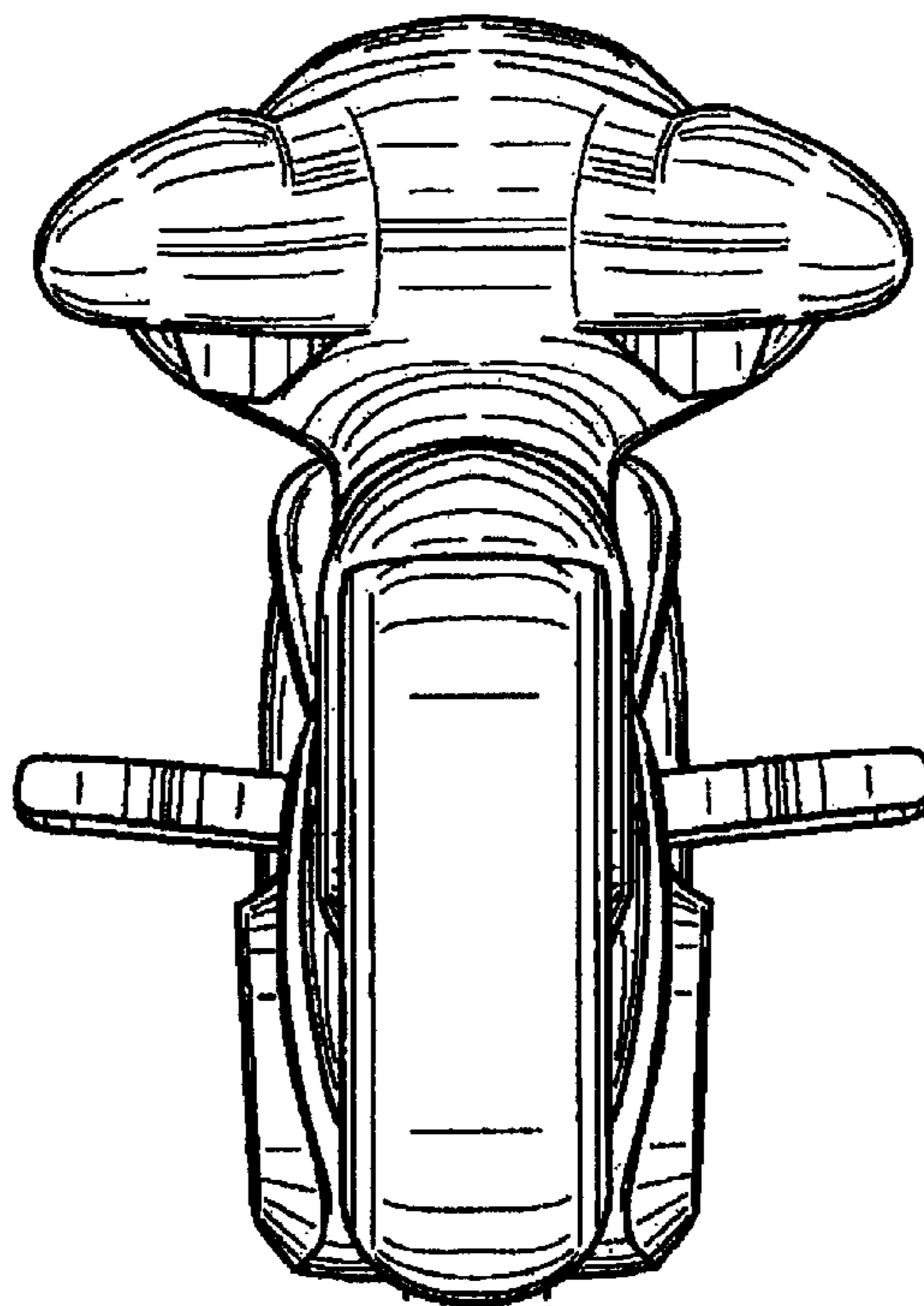


FIG. 2

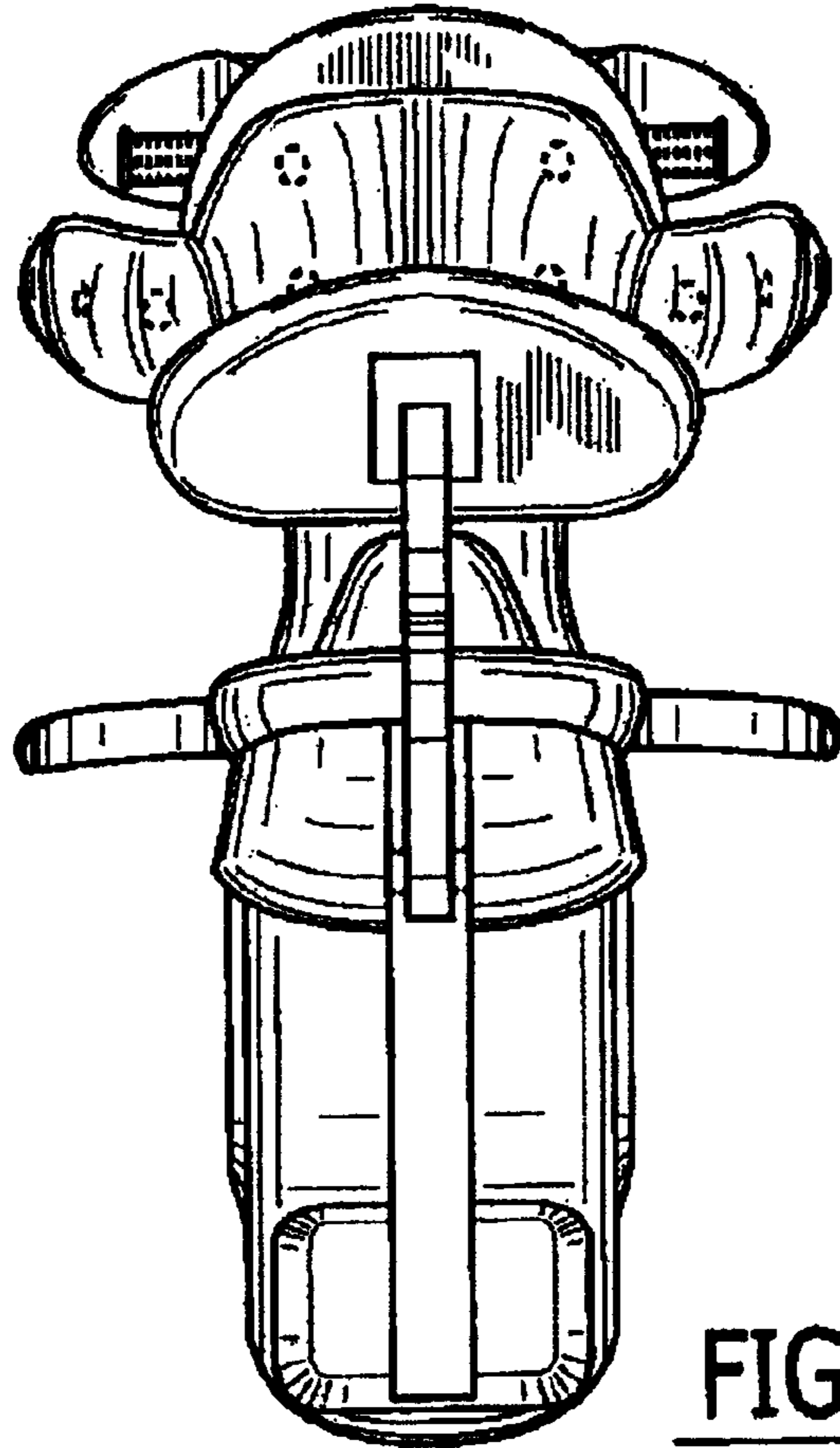


FIG. 3

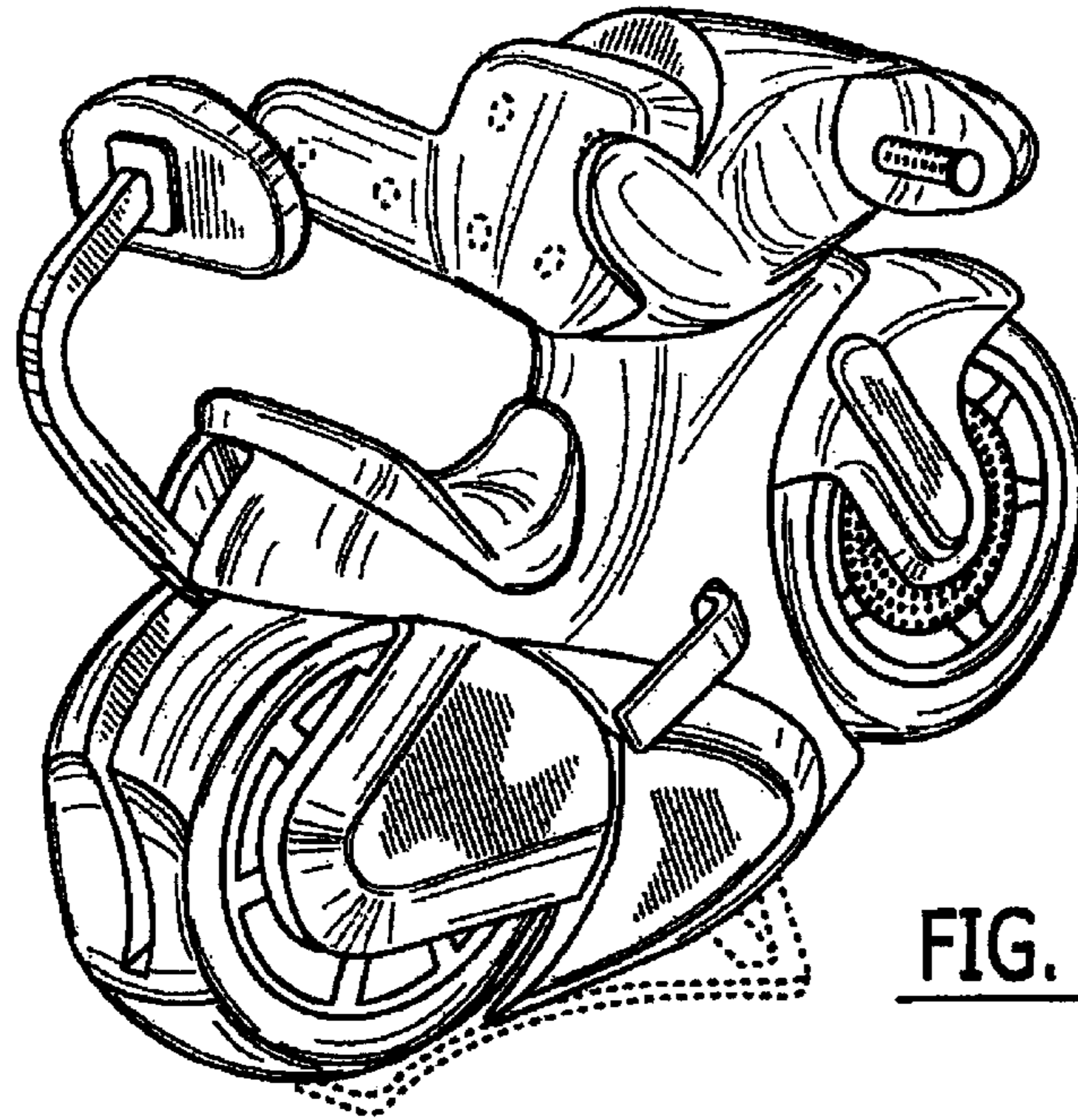


FIG. 4

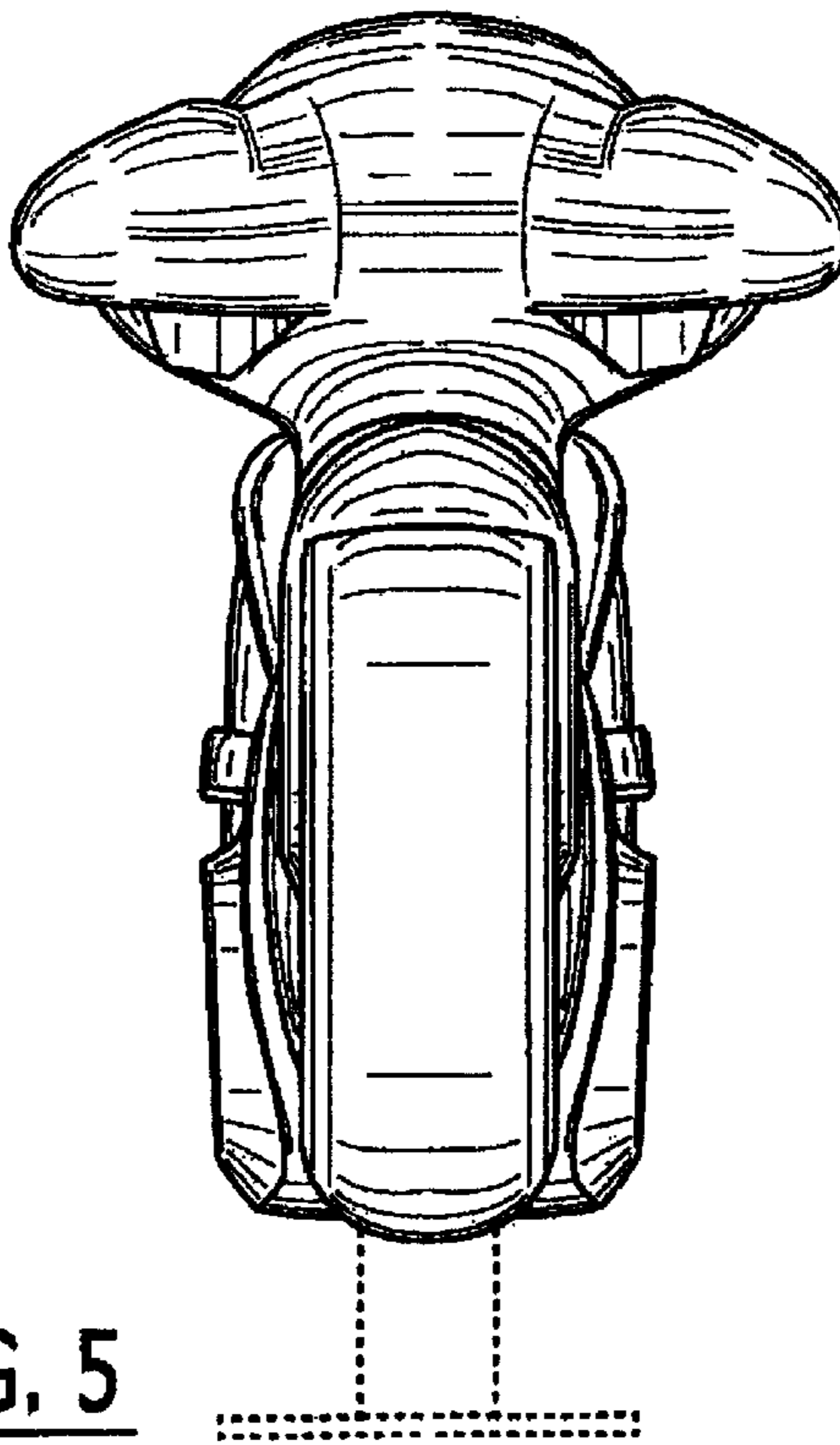


FIG. 5

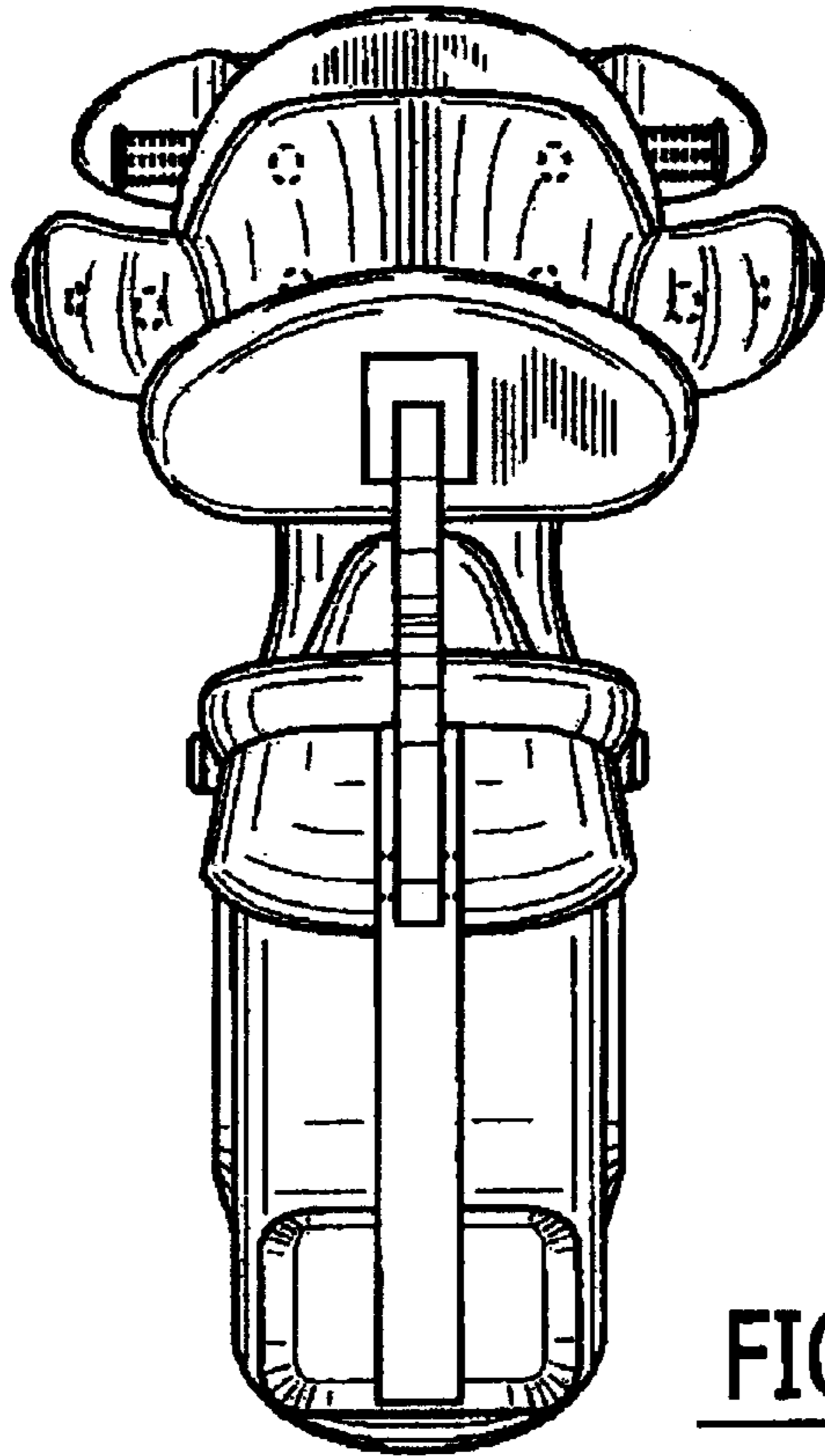


FIG. 6

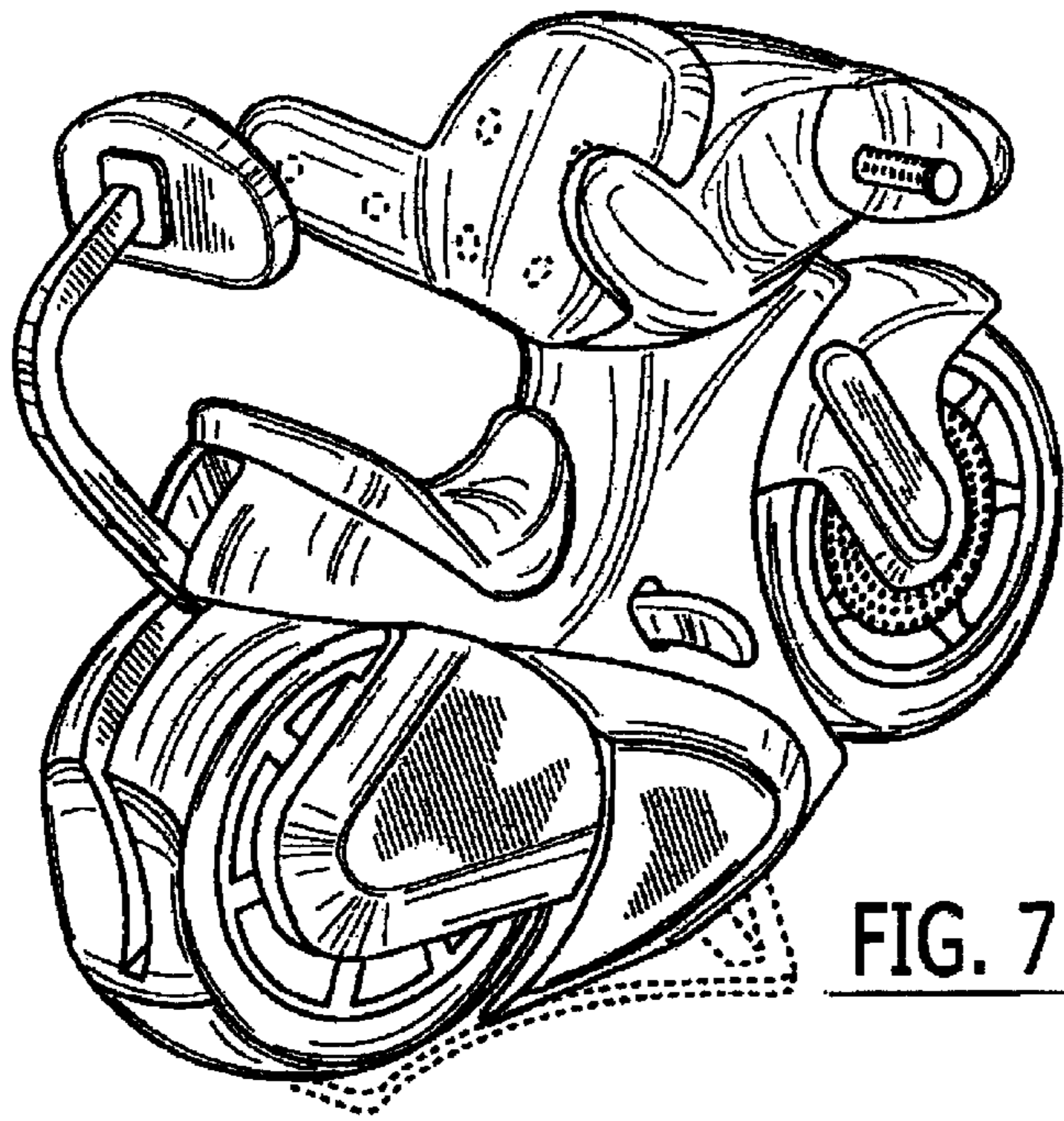


FIG. 7

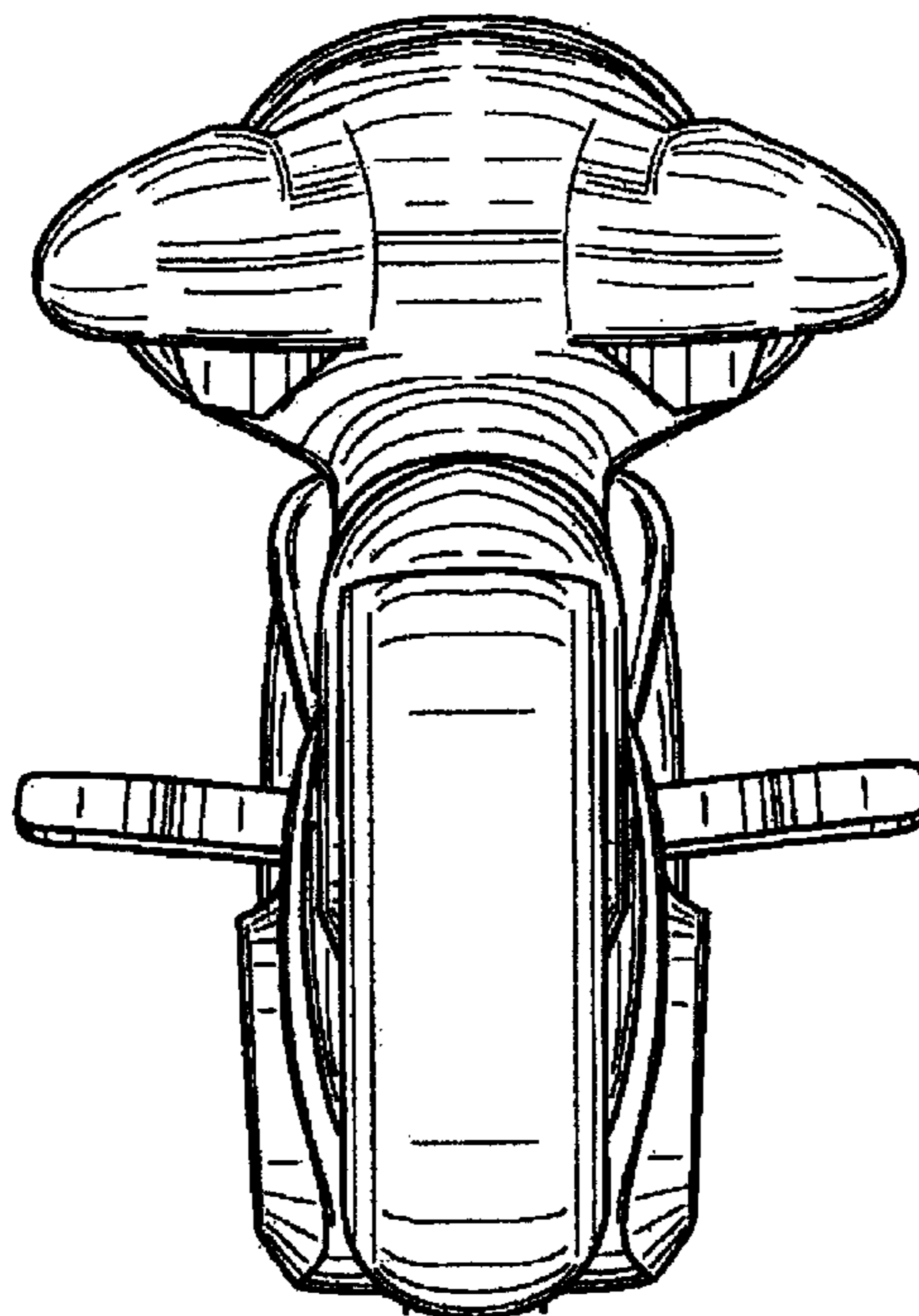


FIG. 8

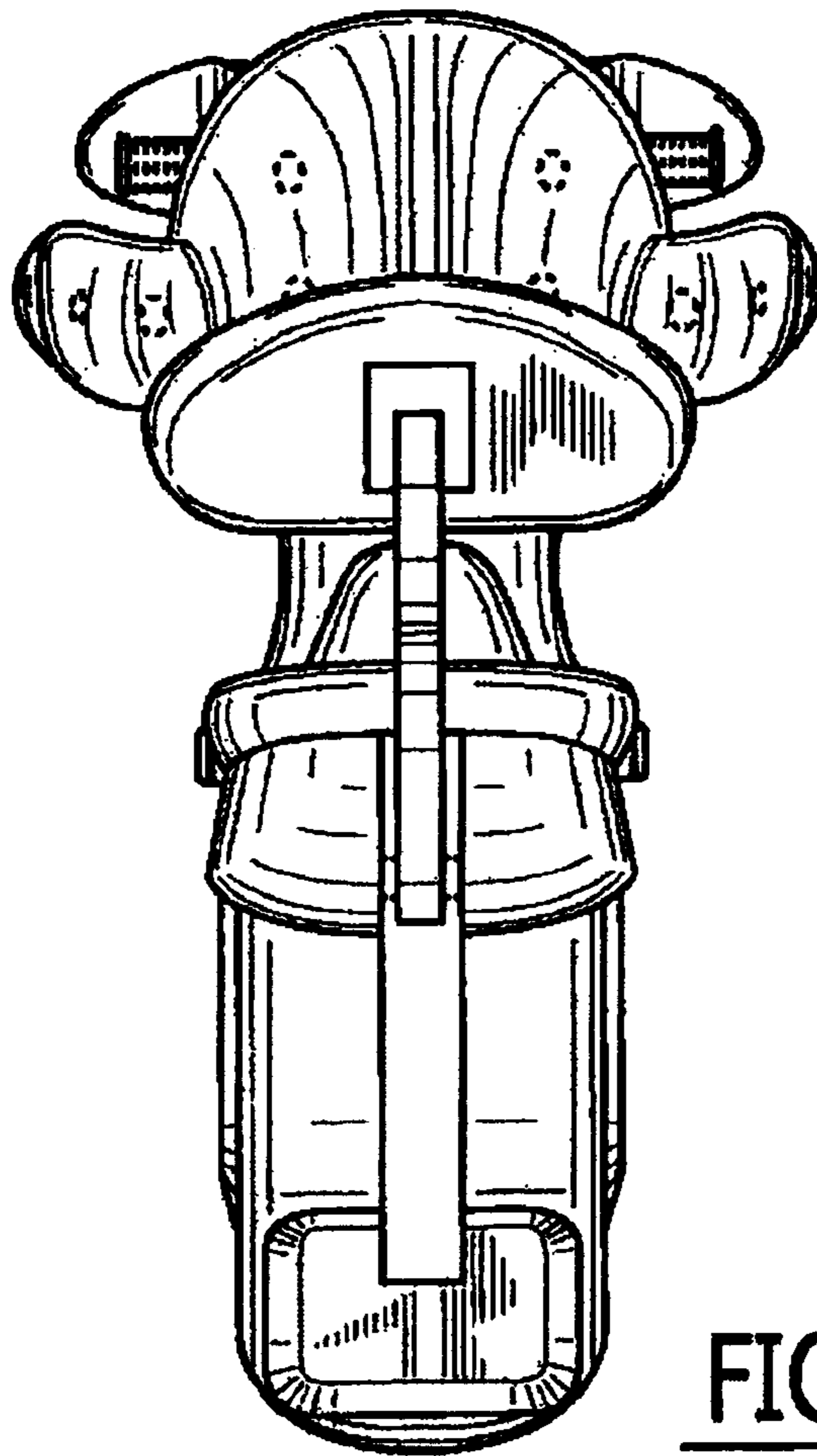


FIG. 9