



US00D529116S

(12) **United States Design Patent** (10) **Patent No.:** **US D529,116 S**  
**Hathcock** (45) **Date of Patent:** **\*\* Sep. 26, 2006**

- (54) **BILLIARD BALL RACK**
- (76) Inventor: **Willard L. Hathcock**, 14275 Sweet Rd., Peyton, CO (US) 80831
- (\*\*) Term: **14 Years**
- (21) Appl. No.: **29/226,142**
- (22) Filed: **Mar. 24, 2005**
- (51) **LOC (8) Cl.** ..... **21-01**
- (52) **U.S. Cl.** ..... **D21/782**
- (58) **Field of Classification Search** ..... D21/782-784, D21/385, 316; 473/1, 2, 4, 21, 26, 40, 41  
See application file for complete search history.

(56) **References Cited**  
U.S. PATENT DOCUMENTS

1,167,137	A *	1/1916	Treiber	.....	473/40
1,299,471	A *	4/1919	Hornbostel	.....	473/40
1,660,626	A *	2/1928	Rhoads	.....	473/40
D159,558	S *	8/1950	Sundell	.....	D21/782
3,627,321	A *	12/1971	Sardo	.....	473/41
3,680,859	A *	8/1972	English	.....	473/40
4,903,965	A *	2/1990	Smith	.....	473/40
5,376,054	A *	12/1994	Kwasny et al.	.....	473/40
D367,306	S *	2/1996	Fiscella	.....	D21/782
5,556,341	A *	9/1996	Bonn, Jr.	.....	473/40
5,871,405	A *	2/1999	Sardo	.....	473/40
D454,380	S *	3/2002	Porper	.....	D21/782

OTHER PUBLICATIONS  
Rockwell Billiards, 150 Stanford Ave, Medford, OR 97504  
[http://www.rockwellbilliards.com/images/products/STTRSL\\_large.jpg](http://www.rockwellbilliards.com/images/products/STTRSL_large.jpg).

Insidepool.com, 3372 Smith Farm Rd, Matthews, NC 28104  
<http://www.insidepool.com/order/images/STDIOW.jpg>.  
Lakeside Distributors, 310 Covington St., P.O. Box 176, Madisonville, Louisiana 70447  
<http://www.lakesidebilliard-supply.com/deluxeaccess.jpg>.  
Rockwell Billiards, 150 Stanford Ave, Medford, OR 97504  
[http://www.rockwellbilliards.com/images/products/STTROW\\_large.jpg](http://www.rockwellbilliards.com/images/products/STTROW_large.jpg).  
Danny Vegh's Billiards & Recreation, 12225 Lorain Ave, Cleveland, OH 44111  
[http://www.dannyveghs.com/ball\\_racks.htm](http://www.dannyveghs.com/ball_racks.htm).  
The Sports Authority, 1050 West Hampden Ave, Englewood, CO 80110  
[http://tsa.imageg.net/graphics/product\\_images/pG01-1286904dt.jpg](http://tsa.imageg.net/graphics/product_images/pG01-1286904dt.jpg).  
\* cited by examiner

*Primary Examiner*—Prabhakar Deshmukh  
(74) *Attorney, Agent, or Firm*—Holmes Roberts & Owens LLP

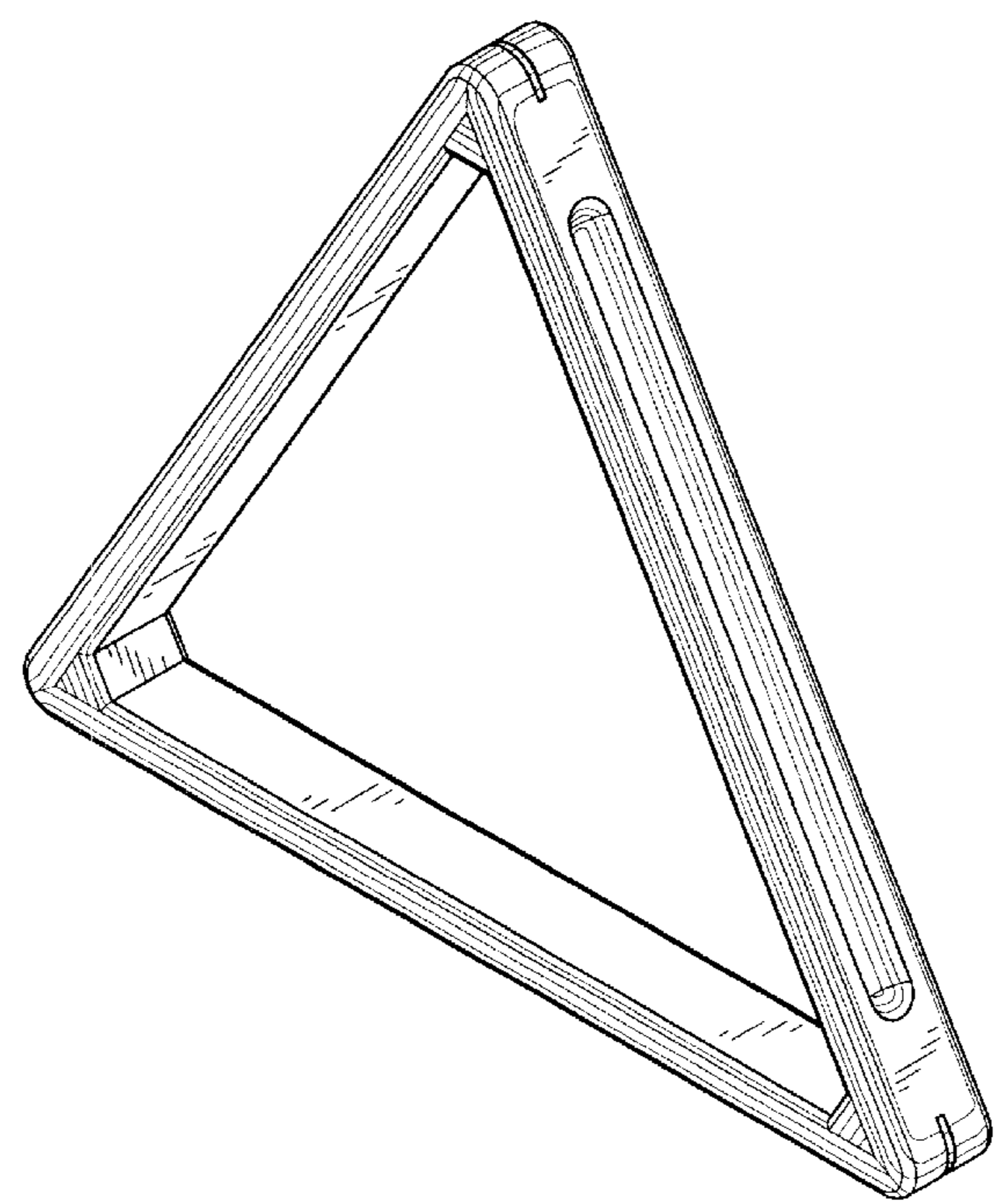
(57) **CLAIM**

The ornamental design for billiard ball rack, as shown and described.

**DESCRIPTION**

FIG. 1 is a perspective view of the billiard ball rack;  
FIG. 2 is a top plan view thereof;  
FIG. 3 is a bottom plan view thereof;  
FIG. 4 is a first side elevational view thereof;  
FIG. 5 is a second side elevational view thereof;  
FIG. 6 is a side elevational view of a corner thereof, the undisclosed corners being identical in appearance; and,  
FIG. 7 is a third side elevational view thereof.

**1 Claim, 4 Drawing Sheets**



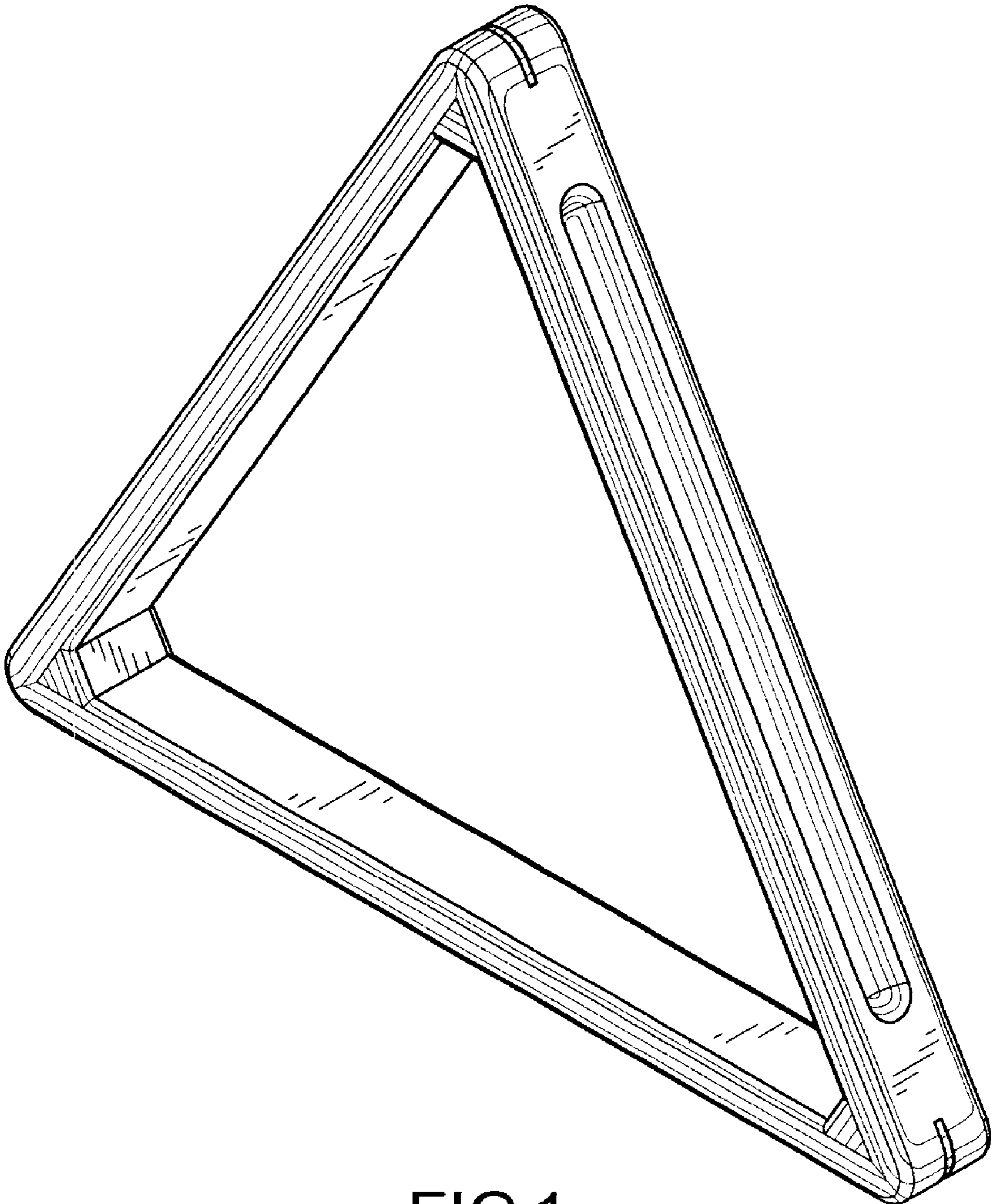


FIG. 1

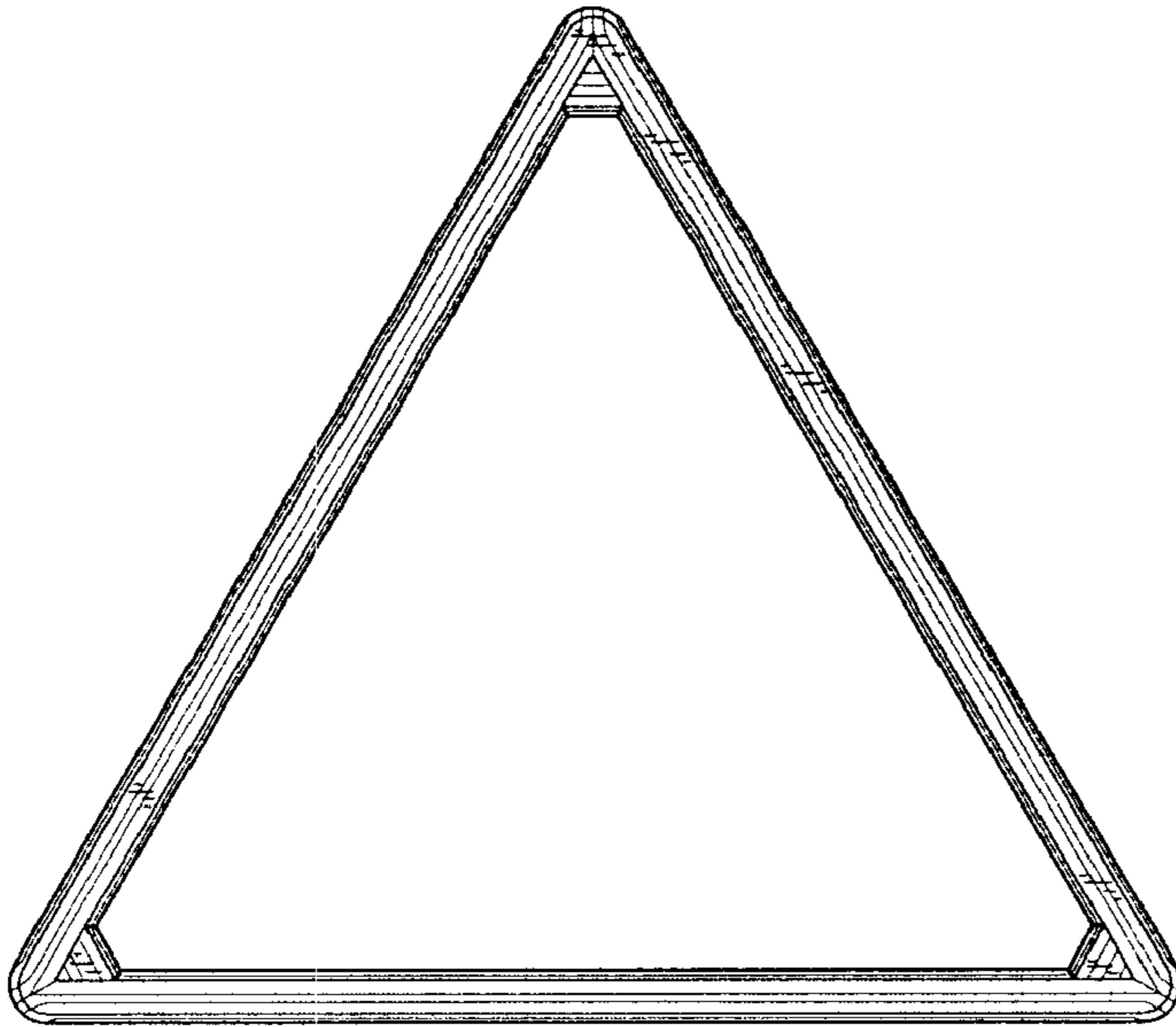


FIG. 2

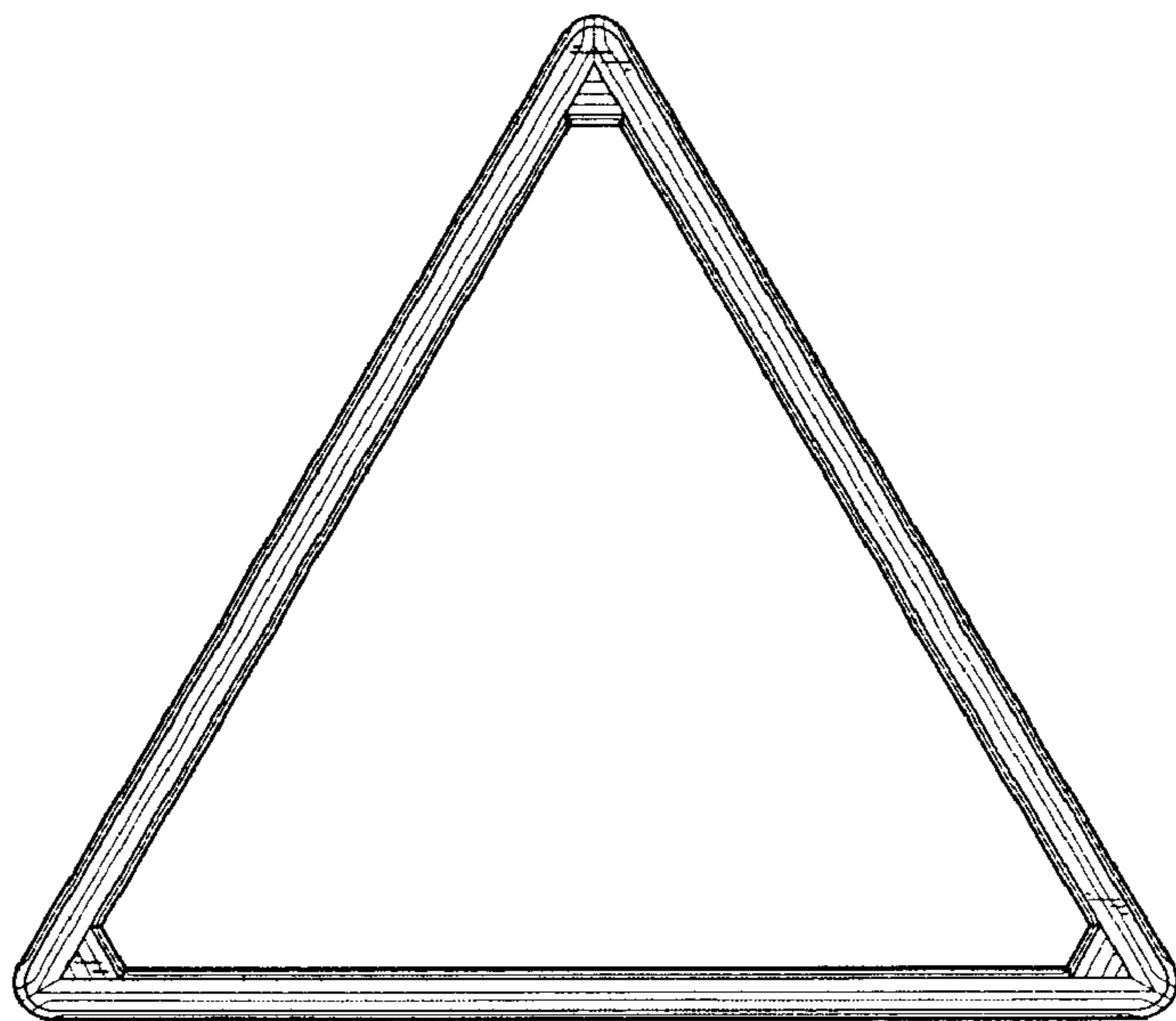


FIG. 3



FIG.4



FIG.5





FIG. 6

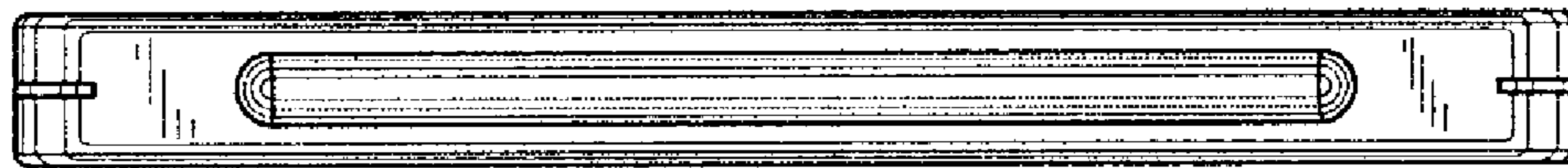


FIG. 7