



US00D529115S

(12) **United States Design Patent**
Stryjak et al.

(10) **Patent No.:** **US D529,115 S**

(45) **Date of Patent:** **** Sep. 26, 2006**

(54) **PORTION OF A ROLLER SKATE**

(75) Inventors: **Pascal Stryjak**, Saint-Eusebe (FR);
Dustin Latimer, Tempe, AZ (US);
René Borel, Saint-Sylvestre (FR);
Shane Coburn, Laguna Beach, CA
(US)

(73) Assignee: **Salomon S.A.**, Metz-Tessy (FR)

(**) Term: **14 Years**

(21) Appl. No.: **29/214,381**

(22) Filed: **Oct. 4, 2004**

(30) **Foreign Application Priority Data**

Apr. 5, 2004 (WO) DM/065 382

(51) **LOC (8) Cl.** **21-02**

(52) **U.S. Cl.** **D21/771**

(58) **Field of Classification Search** D21/760,
D21/763, 764, 771; D2/904; 280/11.14, 11.15,
280/11.19, 11.202, 11.221, 809, 811, 841
See application file for complete search history.

(56) **References Cited**

U.S. PATENT DOCUMENTS

D347,672 S * 6/1994 Arney et al. D21/764
D351,274 S * 10/1994 Fellouhe D2/904

D352,817 S * 11/1994 Fellouhe D2/904
5,380,020 A * 1/1995 Arney et al. 280/11.231
D366,921 S * 2/1996 Losi, II D21/764
D410,135 S * 5/1999 Meibock et al. D2/904
6,076,848 A 6/2000 Rigal et al. 280/634
2002/0163146 A1 * 11/2002 Bennett 280/11.221
2003/0205871 A1 11/2003 Coburn et al.
2004/0239057 A1 12/2004 Borel et al.

* cited by examiner

Primary Examiner—Holly Baynham

Assistant Examiner—Cynthia M. Chin

(74) *Attorney, Agent, or Firm*—Greenblum & Bernstein,
P.L.C.

(57) **CLAIM**

We claim the ornamental design for a portion of a roller skate, as shown and described.

DESCRIPTION

FIG. 1 is a perspective view of a roller skate, seen from the front and right sides thereof, showing our new design; FIG. 2 is a right side view thereof; FIG. 3 is a left side view thereof; and, FIG. 4 is a front end view thereof.

The broken line showing of other parts of the roller skate shown in the drawing is for illustrative purposes only and forms no part of the claimed design.

1 Claim, 3 Drawing Sheets





FIG. 1

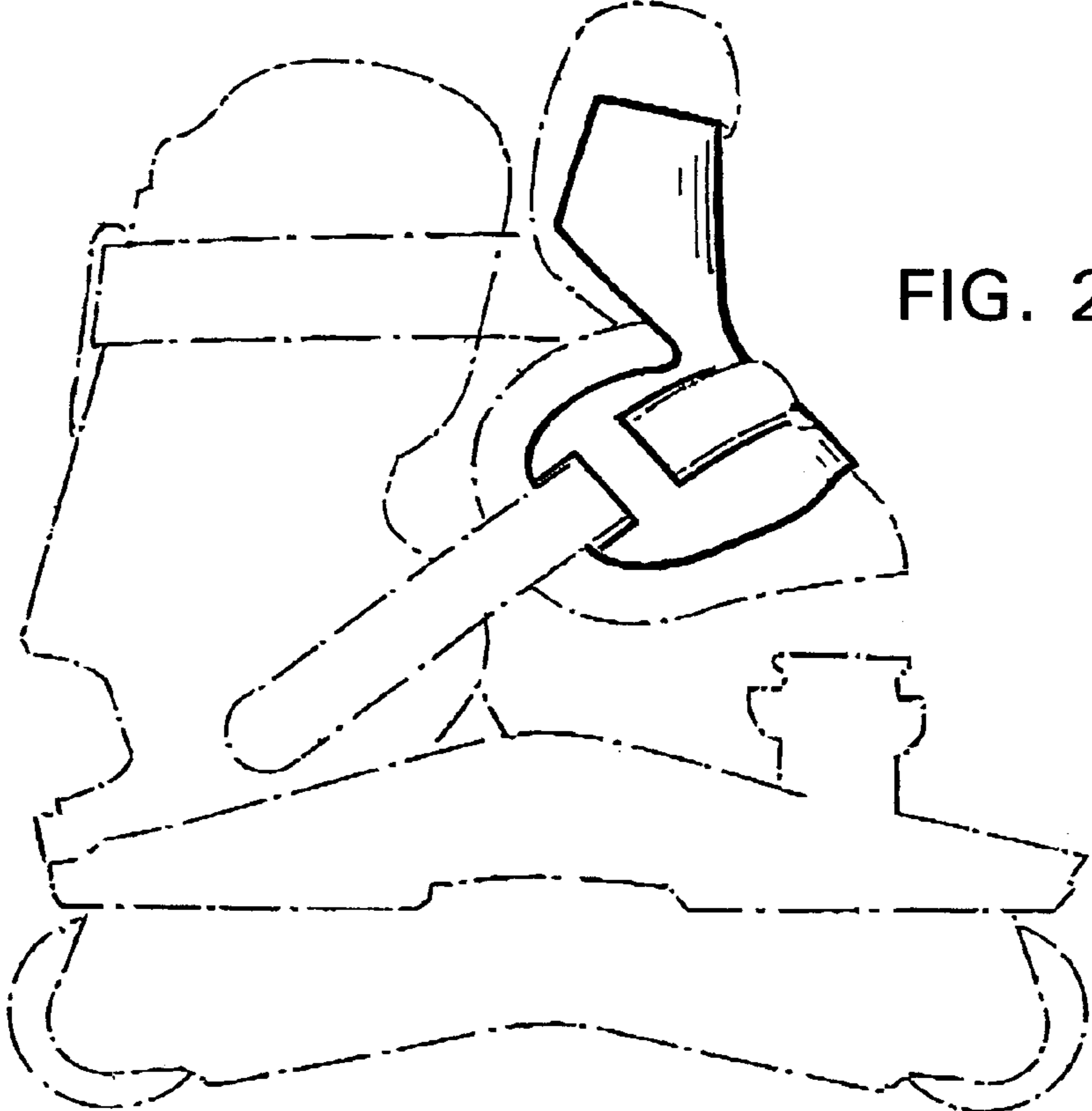


FIG. 2

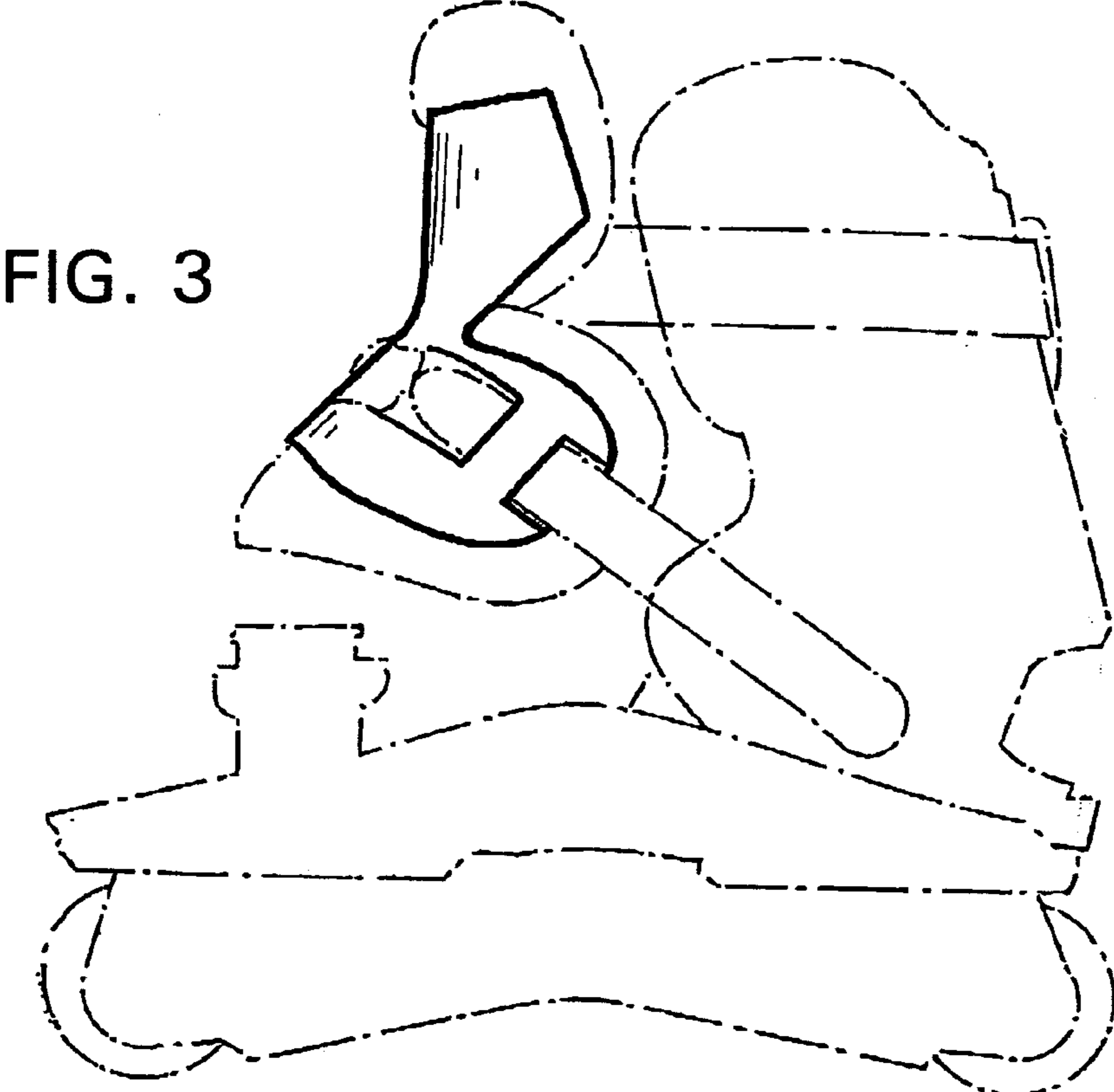


FIG. 3

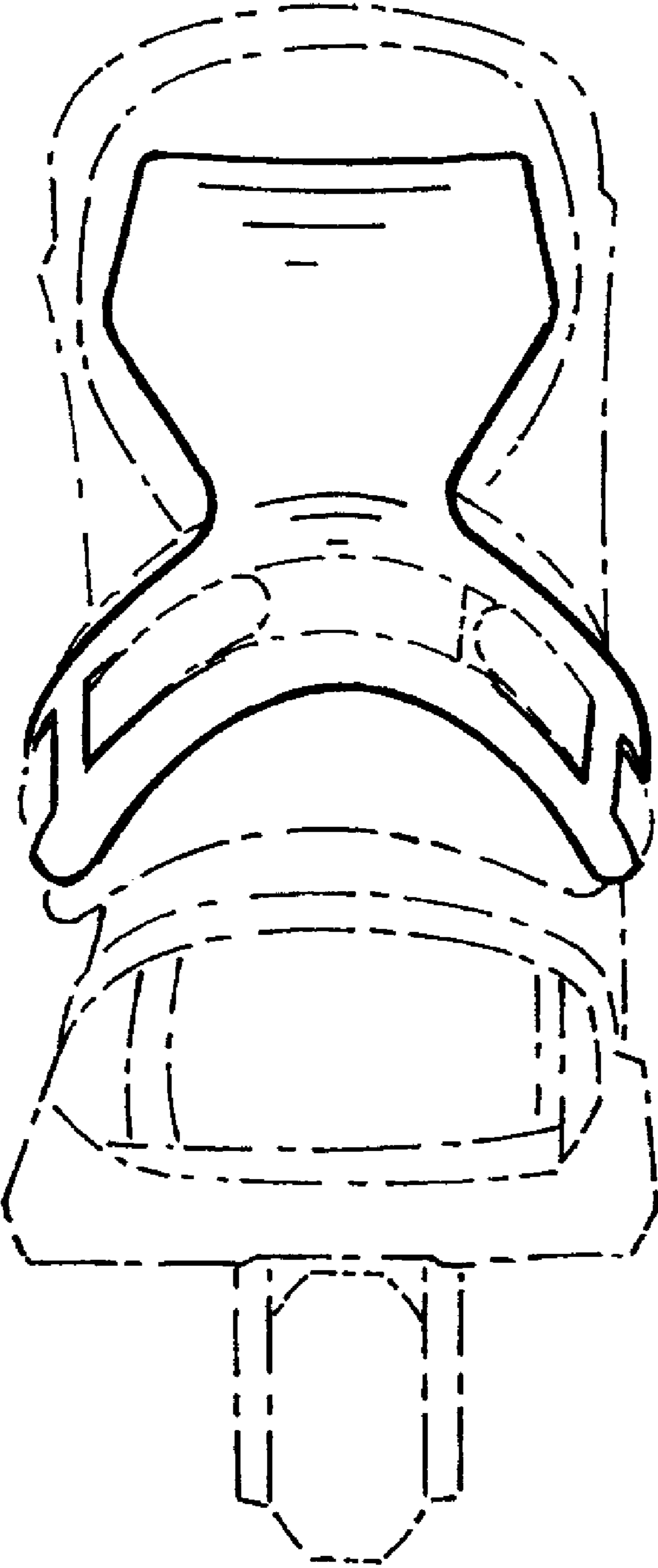


FIG. 4