



US00D529109S

(12) **United States Design Patent**  
**Jones**

(10) **Patent No.:** **US D529,109 S**

(45) **Date of Patent:** **\*\* Sep. 26, 2006**

(54) **GOLF PUTTER HEAD**

(75) Inventor: **David D. Jones**, Glendale, AZ (US)

(73) Assignee: **Karsten Manufacturing Corporation**,  
Phoenix, AZ (US)

(\*\*) Term: **14 Years**

(21) Appl. No.: **29/231,183**

(22) Filed: **Jun. 1, 2005**

(51) **LOC (8) Cl.** ..... **21-02**

(52) **U.S. Cl.** ..... **D21/743**

(58) **Field of Classification Search** ..... D21/736-746,  
D21/759; 473/324-331, 251-256, 340, 341  
See application file for complete search history.

(56) **References Cited**

U.S. PATENT DOCUMENTS

D379,484 S	5/1997	Solheim	
5,700,207 A *	12/1997	Guthrie et al. ....	473/313
D399,911 S	10/1998	Nicolette	
D405,137 S	2/1999	Nelson	
D410,717 S	6/1999	Anderson	
D456,055 S *	4/2002	Yerelian .....	D21/736
D456,472 S *	4/2002	Yerelian .....	D21/736
D486,540 S *	2/2004	Bettinardi .....	D21/738

D486,541 S *	2/2004	Bettinardi .....	D21/738
D488,526 S	4/2004	Souza	
D500,109 S	12/2004	Solheim	
D500,110 S	12/2004	Solheim	
D500,539 S *	1/2005	Holloway .....	D21/736
D509,273 S *	9/2005	Morris et al. ....	D21/742

\* cited by examiner

*Primary Examiner*—Mitchell Siegel

(74) *Attorney, Agent, or Firm*—Darrell F. Marquette

(57) **CLAIM**

The ornamental design for a golf putter head, as shown and described.

**DESCRIPTION**

FIG. 1 is a perspective view of a golf putter head showing my new design;

FIG. 2 is a front elevational view of the golf putter head of FIG. 1;

FIG. 3 is a rear elevational view of the golf putter head of FIG. 1;

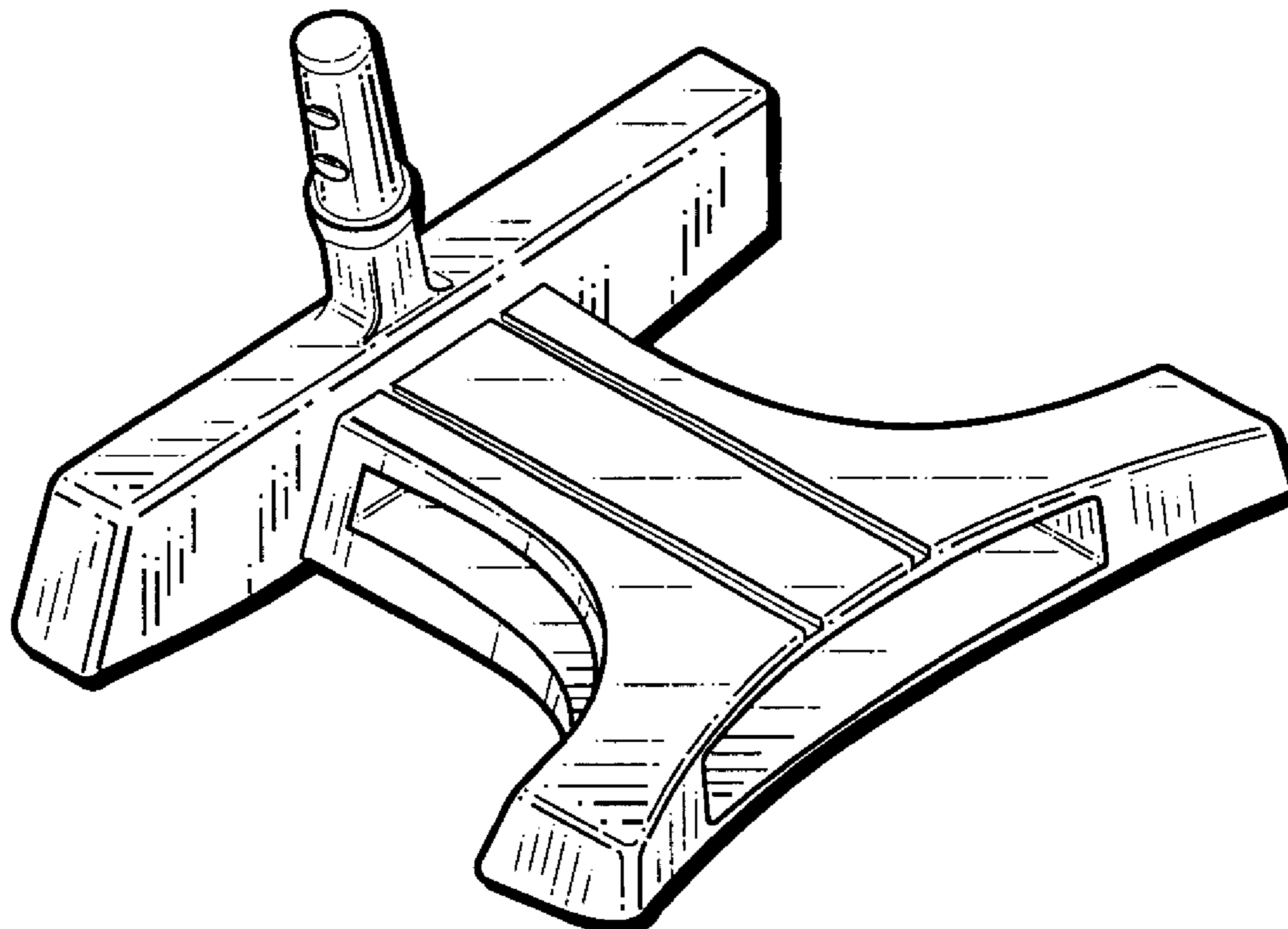
FIG. 4 is a bottom view of the golf putter head of FIG. 1;

FIG. 5 is a toe end view of the golf putter head of FIG. 1;

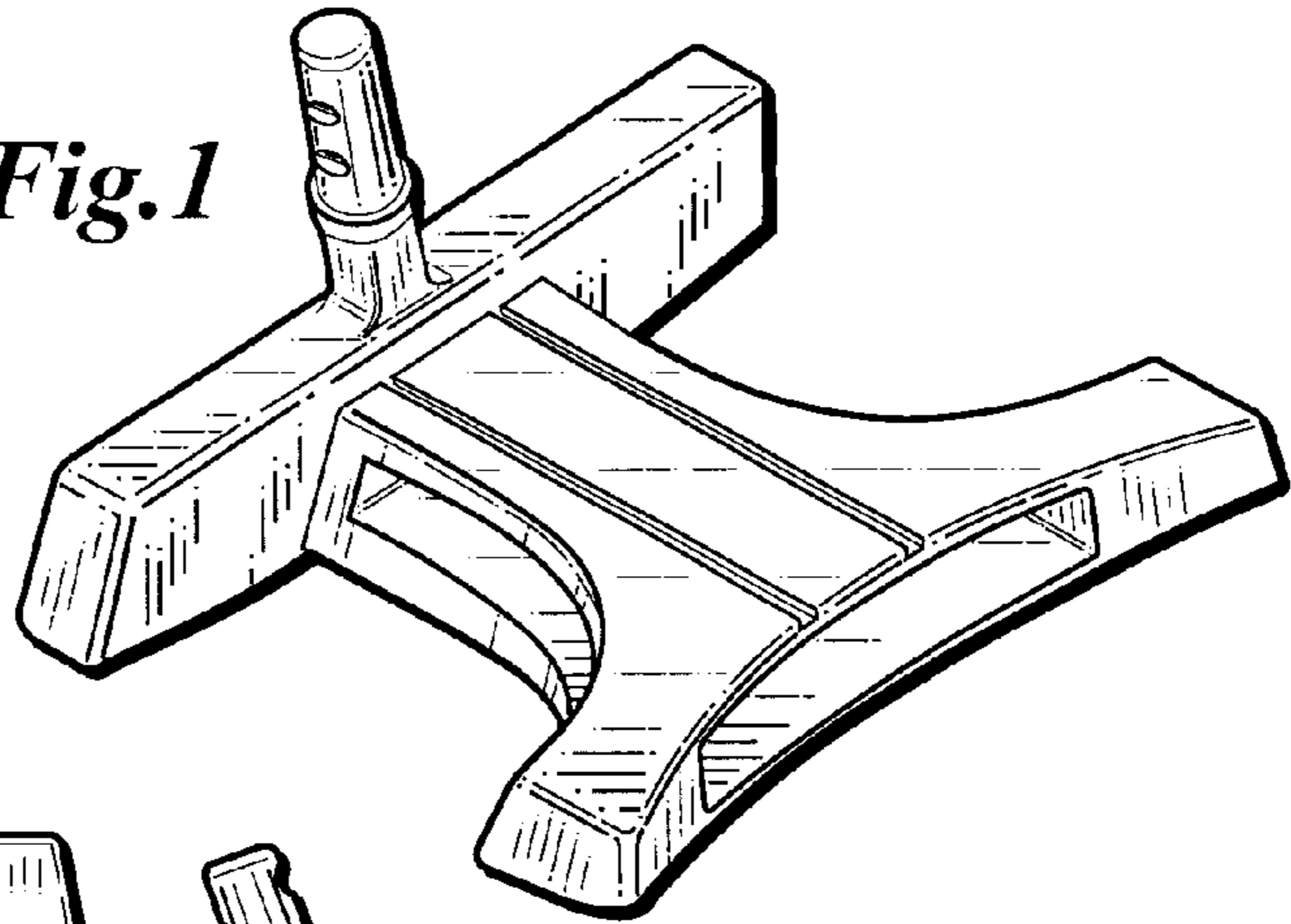
FIG. 6 is a top view of the golf putter head of FIG. 1; and,

FIG. 7 is a heel end view of the golf putter head of FIG. 1.

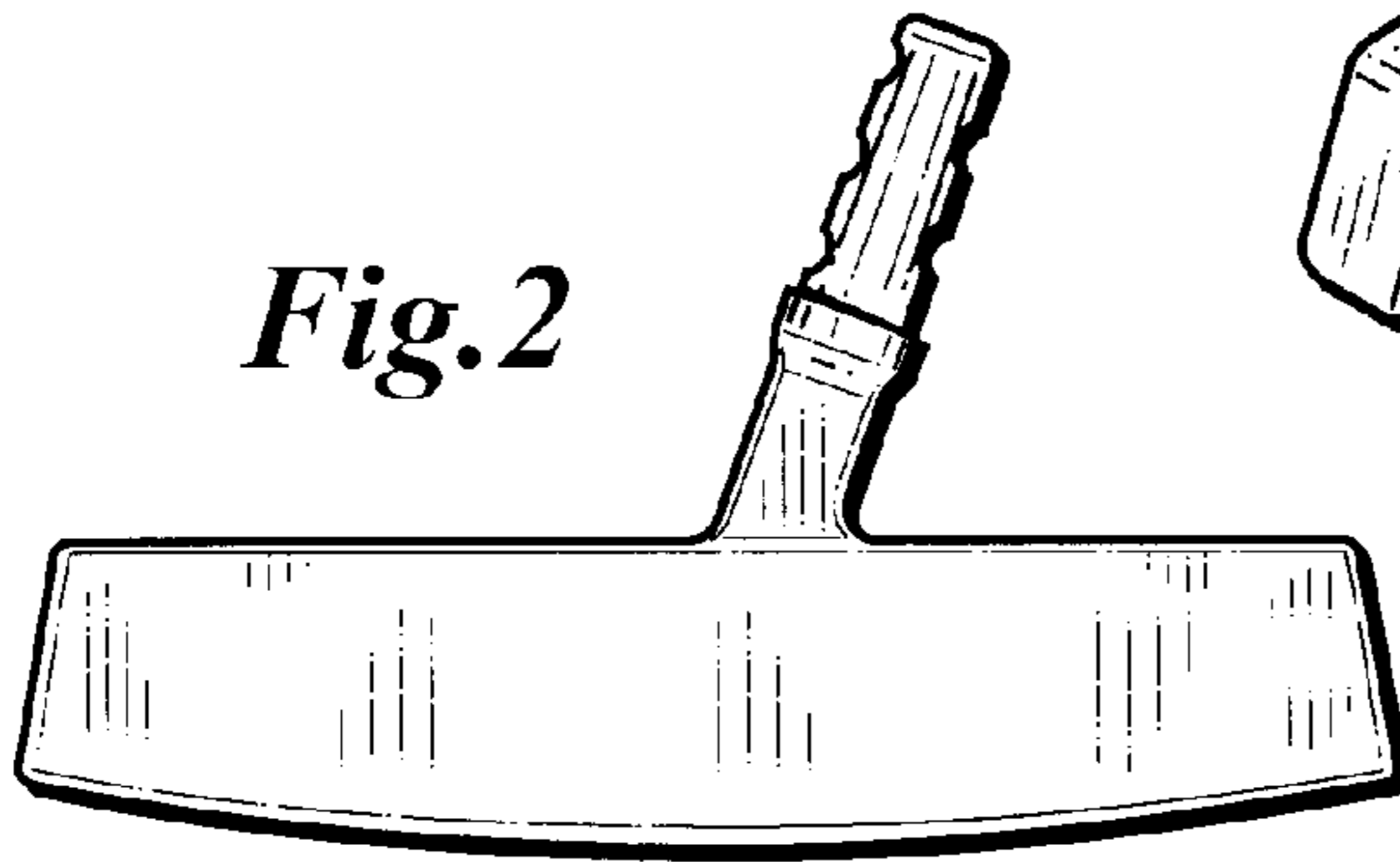
**1 Claim, 1 Drawing Sheet**



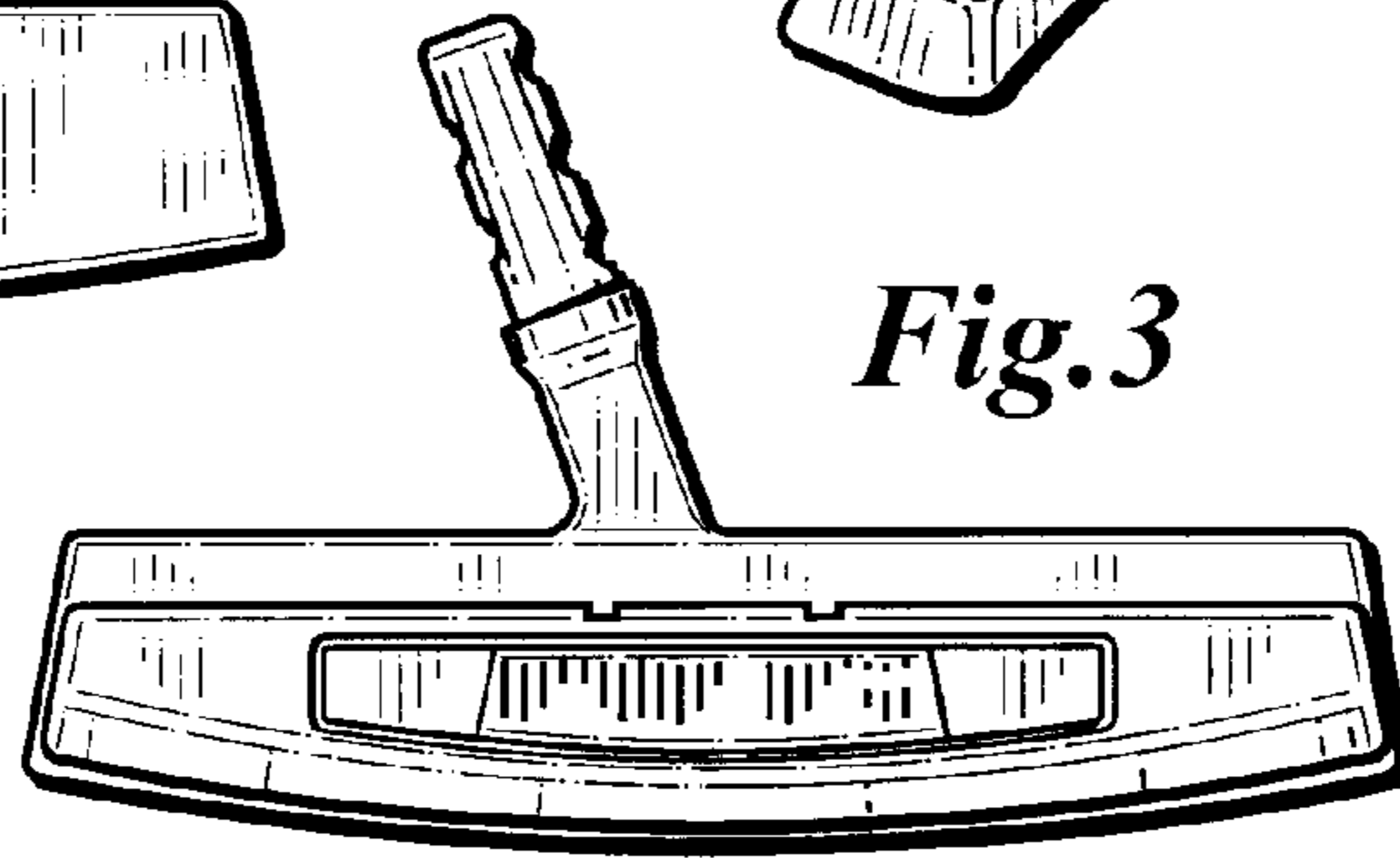
*Fig.1*



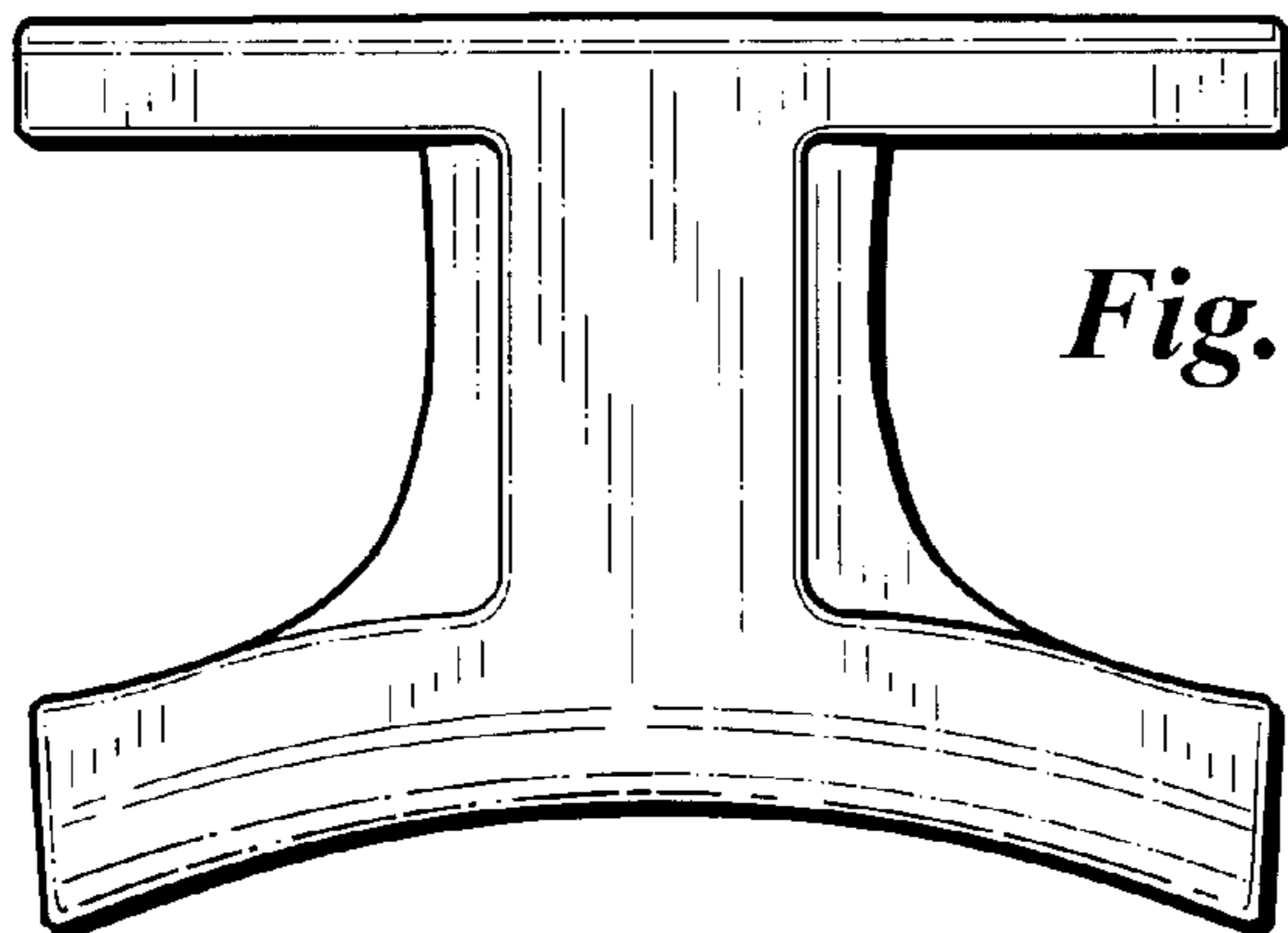
*Fig.2*



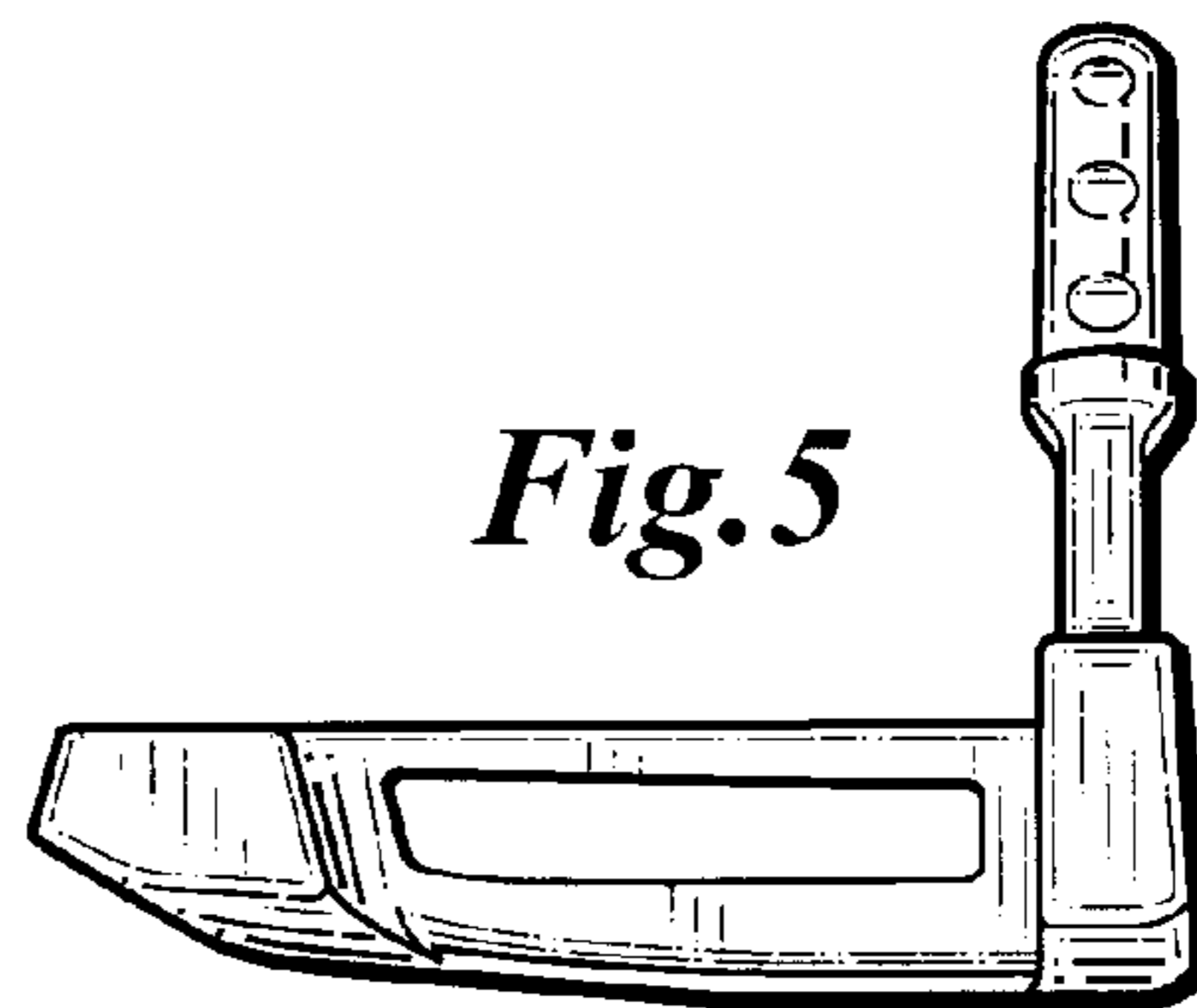
*Fig.3*



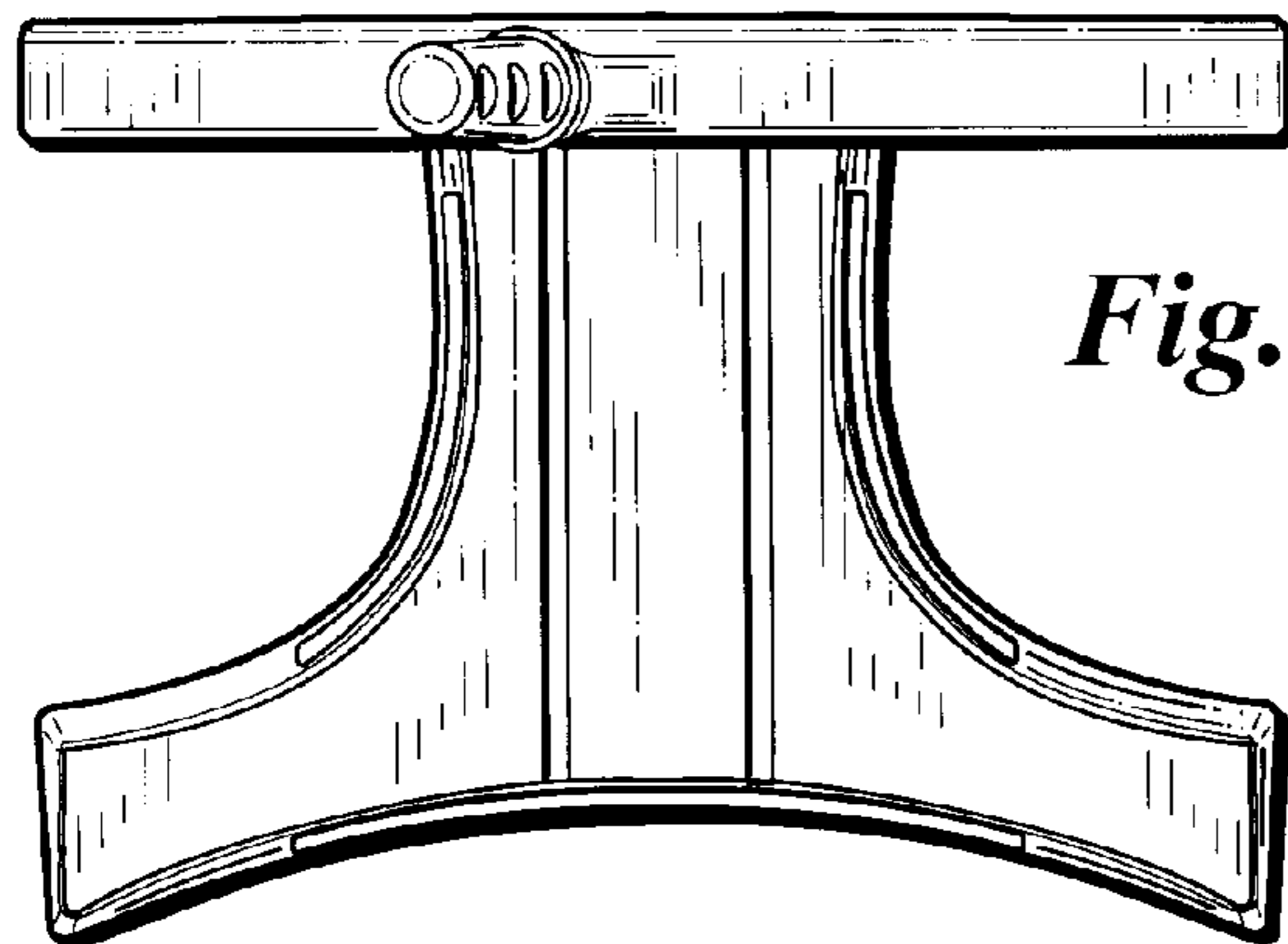
*Fig.4*



*Fig.5*



*Fig.6*



*Fig.7*

