



US00D529108S

(12) **United States Design Patent** (10) **Patent No.:** **US D529,108 S**
Stites et al. (45) **Date of Patent:** **** Sep. 26, 2006**

(54) **PORTION OF A GOLF CLUB HEAD FOR A PUTTER**

(75) Inventors: **John T. Stites**, Weatherford, TX (US);
David N. Franklin, Granbury, TX (US); **Carl L. Madore**, Portland, OR (US)

(73) Assignee: **Nike, Inc.**, Beaverton, OR (US)

(**) Term: **14 Years**

(21) Appl. No.: **29/255,382**

(22) Filed: **Mar. 8, 2006**

Related U.S. Application Data

(63) Continuation of application No. 29/203,000, filed on Apr. 8, 2004.

(51) **LOC (8) Cl.** **21-02**

(52) **U.S. Cl.** **D21/736**

(58) **Field of Classification Search** D21/736-746;
473/324-331, 251-256, 340, 341
See application file for complete search history.

(56) **References Cited**

U.S. PATENT DOCUMENTS

- D234,960 S 4/1975 Swash
- D234,962 S 4/1975 Swash
- D235,668 S 7/1975 Swash
- D268,691 S 4/1983 Collins
- 4,934,702 A 6/1990 Serizawa
- D316,129 S 4/1991 Bryson
- D320,251 S 9/1991 Mermillod
- D320,638 S 10/1991 Mermillod
- 5,174,573 A 12/1992 Desbiolles et al.
- D334,039 S 3/1993 Tanaka
- D349,319 S 8/1994 Bayer
- D364,666 S 11/1995 Nagy
- D364,907 S 12/1995 Estridge et al.
- D372,752 S 8/1996 Raudman
- D380,030 S 6/1997 Altman
- D388,853 S 1/1998 Minami
- D389,539 S 1/1998 Moore
- D391,612 S 3/1998 Moore
- 5,820,481 A 10/1998 Raudman

- 5,830,078 A 11/1998 McMahan
- D410,056 S 5/1999 McMahan
- D424,145 S 5/2000 Minami
- D430,631 S 9/2000 Garcia
- D437,017 S 1/2001 Ford
- 6,319,146 B1 11/2001 Mills
- 6,350,208 B1 2/2002 Ford
- D485,592 S 1/2004 Hettinger et al.
- D485,880 S 1/2004 Madore et al.
- D499,782 S * 12/2004 Stites et al. D21/759

OTHER PUBLICATIONS

Edwin Watts Golf Shops Catalog Summer 1998 p. 33, dated Summer 1998.

Edwin Watts Golf Catalog Jan. 2002 p. 5, dated Jan. 2002.

Edwin Watts Golf Catalog Father's Day 2003 pp. 10, 21, dated Father's Day 2003.

Edwin Watts Golf Catalog Jan. 2004 p. 24, dated Jan. 2004.

Edwin Watts Golf Catalog Spring 2004 pp. 19, 46, dated Spring 2004.

* cited by examiner

Primary Examiner—Mitchell Siegel

(74) *Attorney, Agent, or Firm*—Banner & Witcoff, Ltd.

(57) **CLAIM**

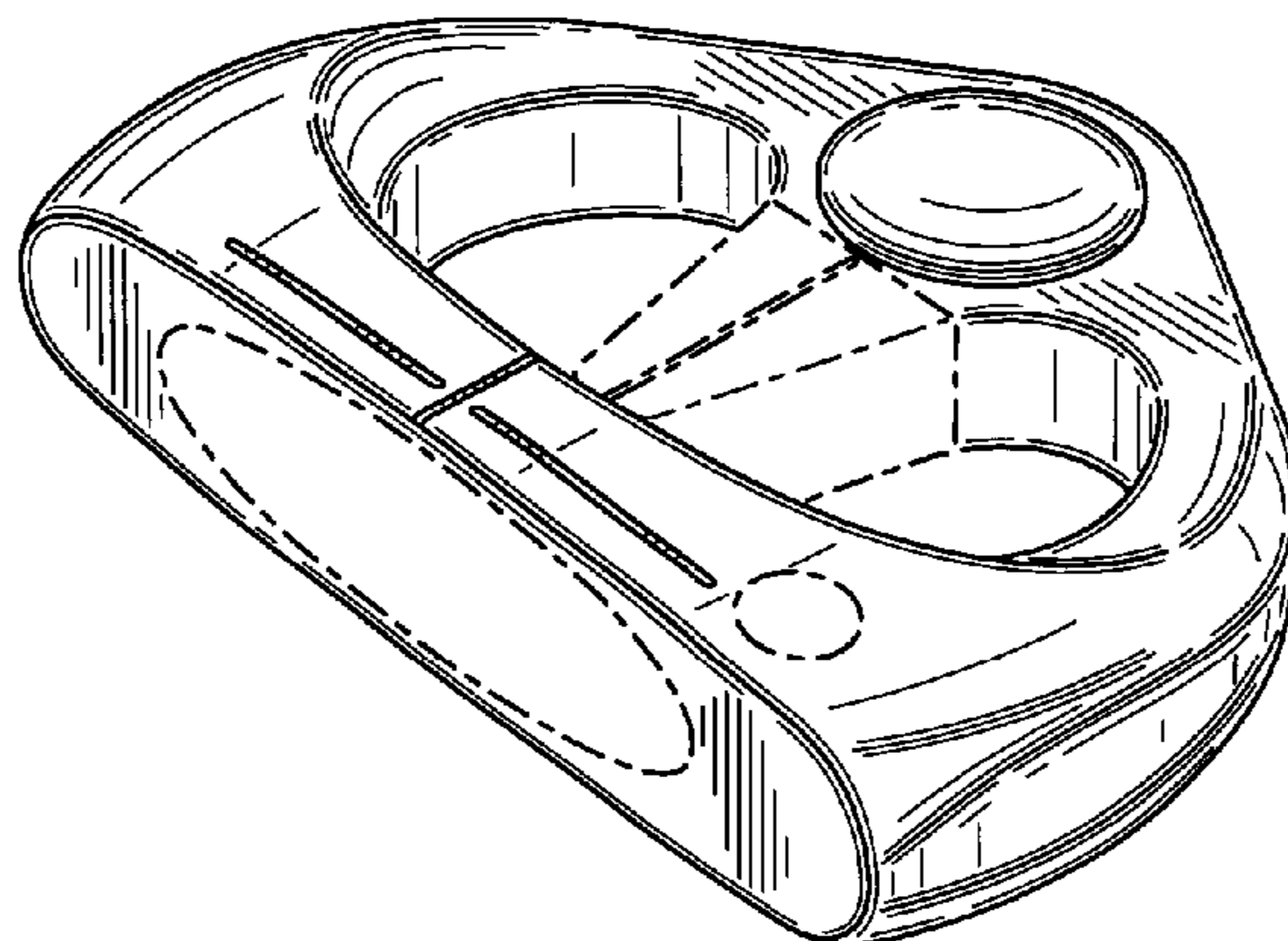
The ornamental design for a portion of a golf club head for a putter, as shown and described.

DESCRIPTION

FIG. 1 is a top view of a portion of a golf club head for a putter showing our new design; FIG. 2 is a bottom view thereof; FIG. 3 is a front view thereof; FIG. 4 is a rear view thereof; FIG. 5 is a heel view thereof; FIG. 6 is a toe view thereof; and, FIG. 7 is a perspective view thereof.

The broken lines immediately adjacent to the shaded area form unclaimed boundaries of the design. The broken line showing of the circular and oval regions within the shaded area and the remainder of the golf club head for a putter is for illustrative purposes only and forms no part of the claimed design.

1 Claim, 3 Drawing Sheets



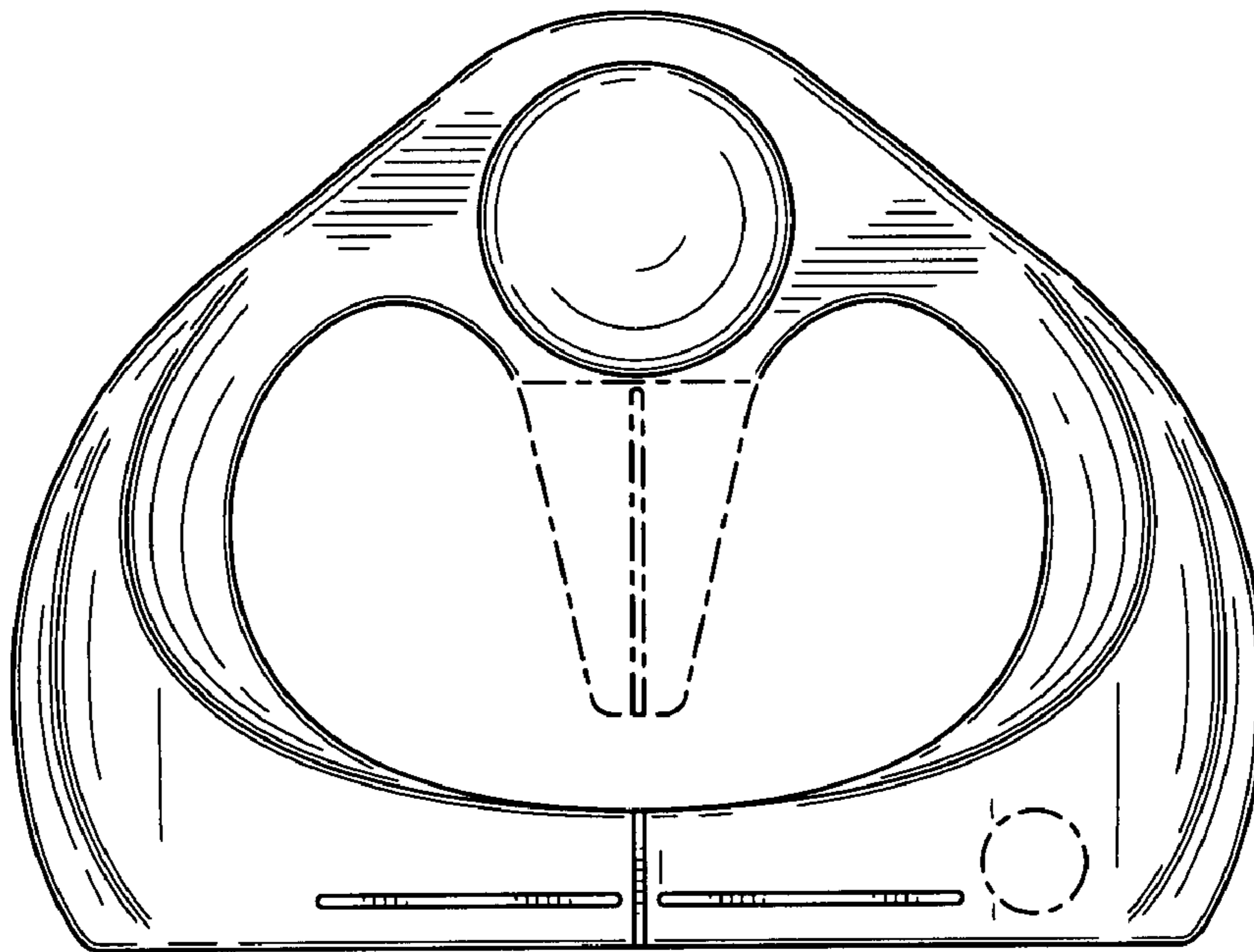


FIG. 1

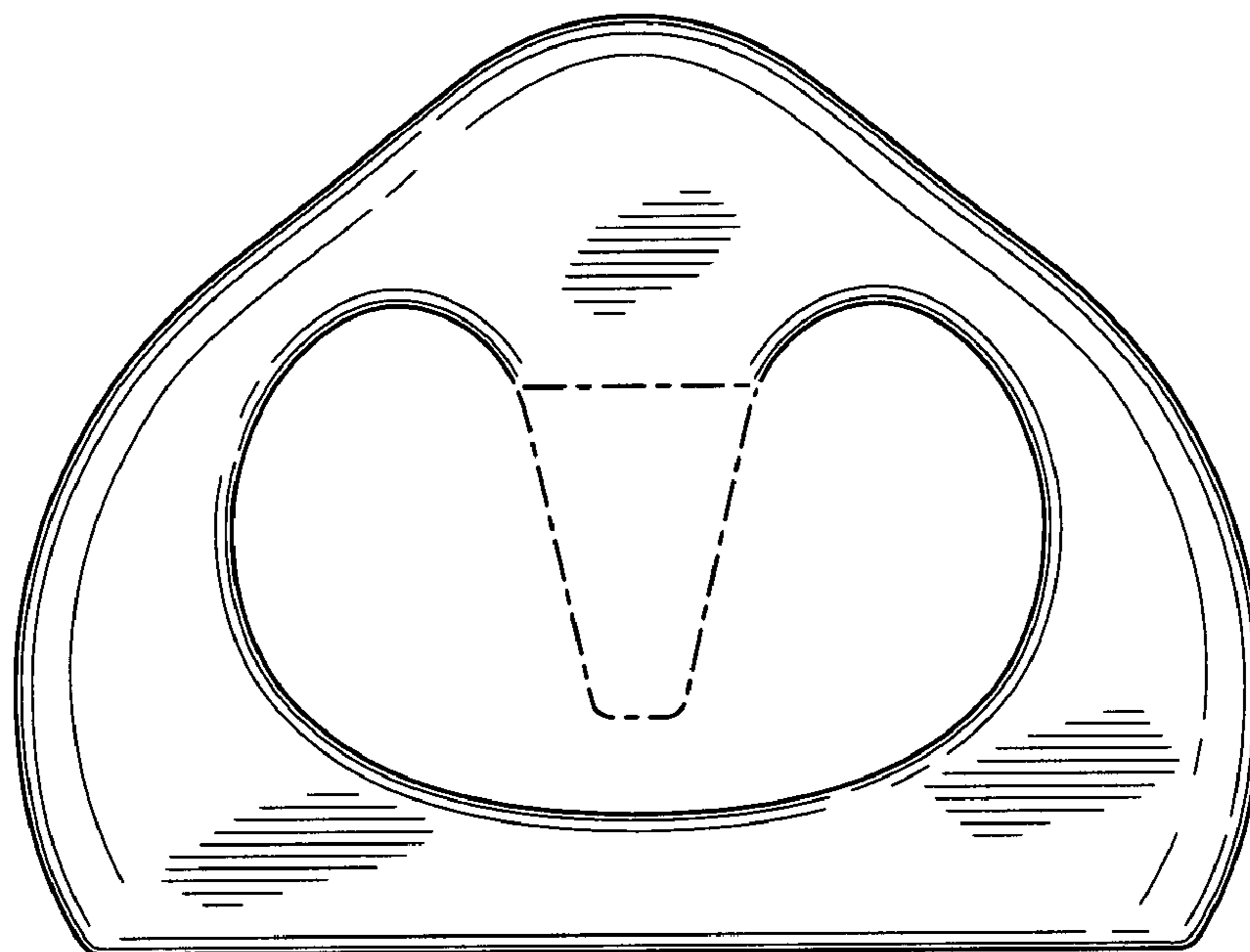


FIG. 2

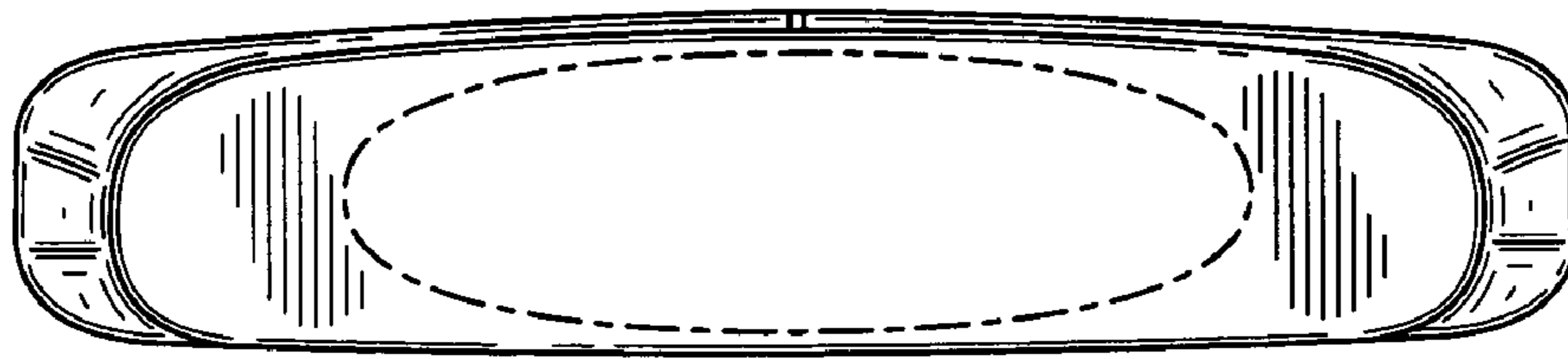


FIG. 3

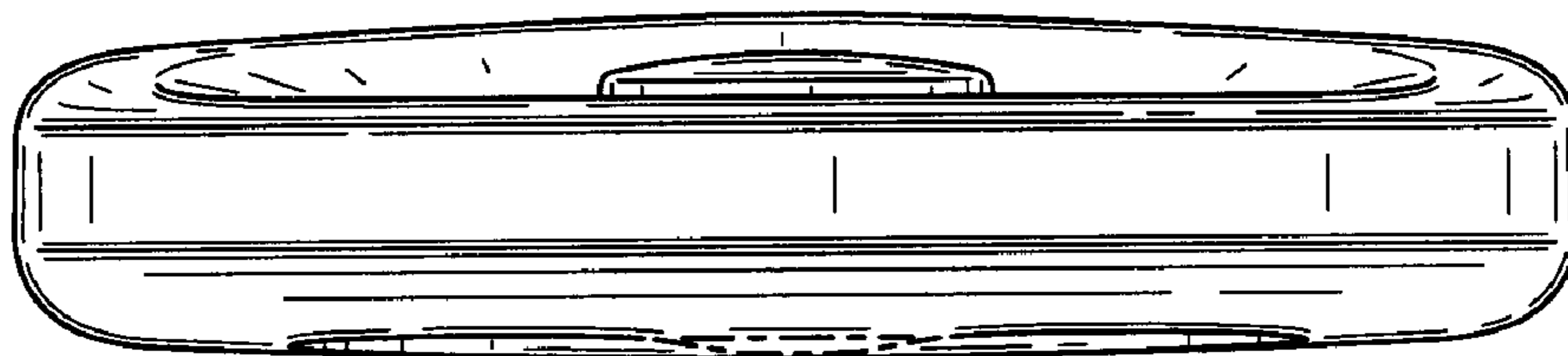


FIG. 4

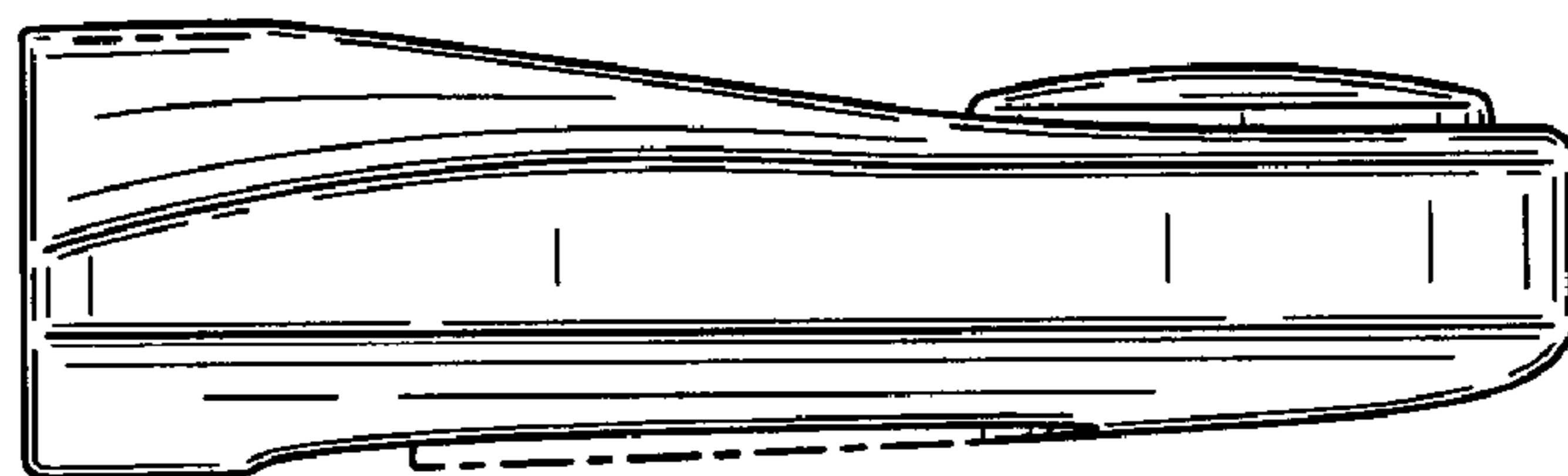


FIG. 5

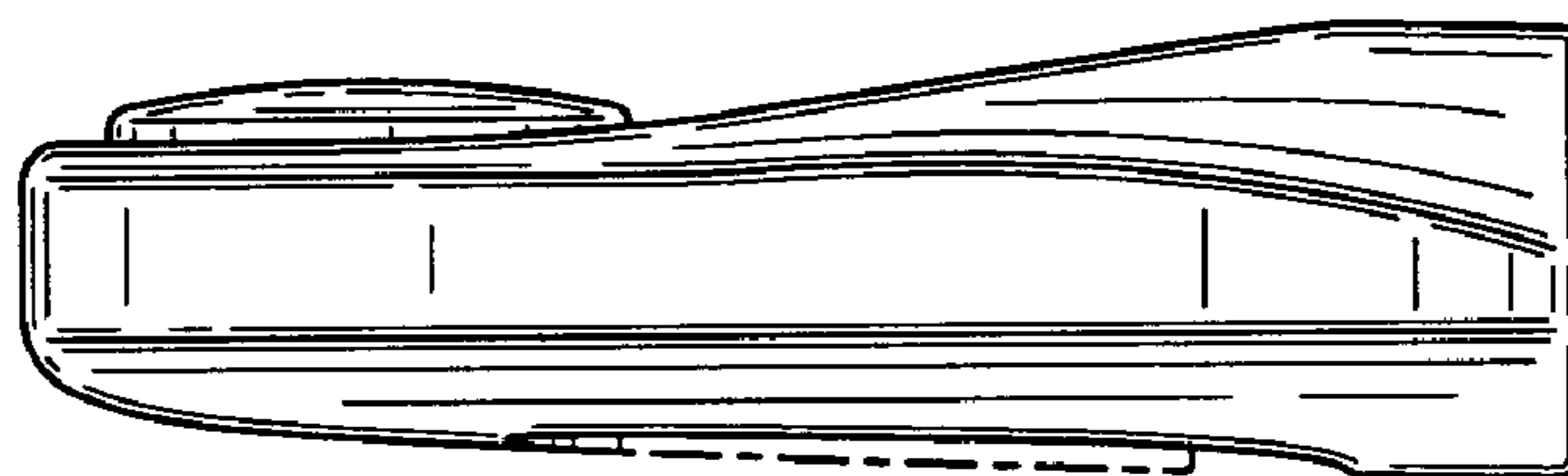


FIG. 6

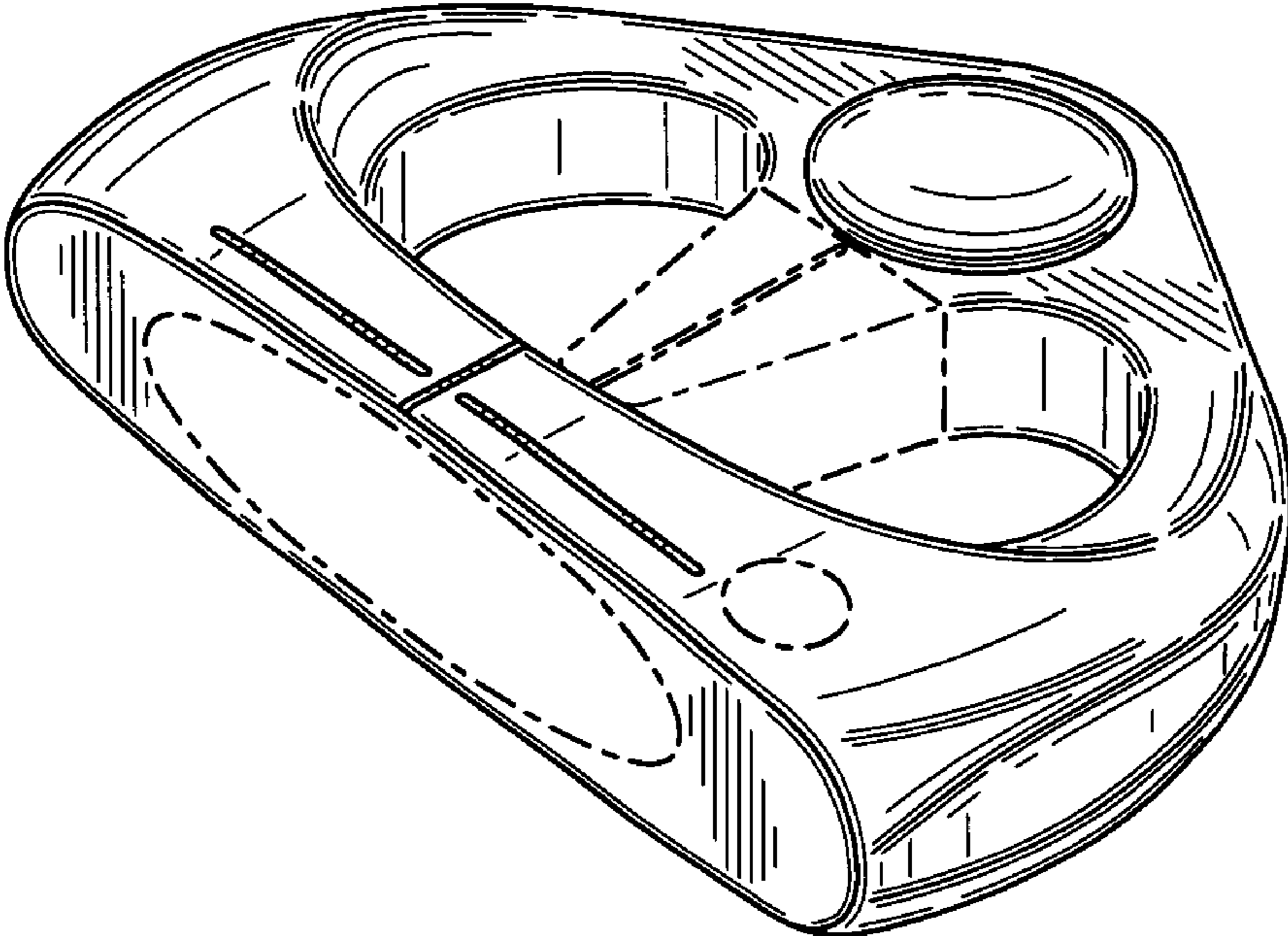


FIG. 7