



US00D529106S

(12) **United States Design Patent**
Proud et al.

(10) **Patent No.:** **US D529,106 S**

(45) **Date of Patent:** **** Sep. 26, 2006**

(54) **EXERCISE STATION**

(75) Inventors: **Ian Proud**, Selinsgrove, PA (US); **Eric Tritsch**, Spring Mills, PA (US)

(73) Assignee: **Playworld Systems, Inc.**, Lewisburg, PA (US)

(**) Term: **14 Years**

(21) Appl. No.: **29/240,456**

(22) Filed: **Oct. 13, 2005**

Related U.S. Application Data

(62) Division of application No. 29/194,595, filed on Nov. 25, 2003.

(51) **LOC (8) Cl.** **21-02**

(52) **U.S. Cl.** **D21/694; D21/686**

(58) **Field of Classification Search** D21/662,
D21/688, 691, 814; D25/16, 23; 482/35,
482/36, 37, 148, 908; 472/136

See application file for complete search history.

(56) **References Cited**

U.S. PATENT DOCUMENTS

D357,913 S	5/1995	Kunis	D14/146
D389,666 S	1/1998	Caya	D6/421
D397,558 S	9/1998	Caya	D6/421

D399,974 S	10/1998	Olofsson	D25/56
D401,348 S	11/1998	Fabiano	D25/16
D409,761 S	5/1999	O'Reilly	D25/16
D433,153 S	10/2000	Caya	D25/16
6,228,005 B1	5/2001	Gray	482/23
6,413,198 B1	7/2002	Gray	482/148

Primary Examiner—Philip S. Hyder

(74) *Attorney, Agent, or Firm*—Drinker Biddle & Reath LLP

(57) **CLAIM**

The ornamental design for an exercise station, as shown and described.

DESCRIPTION

FIG. 1 is a front view of an exercise station according to our new design.

FIG. 2 is a perspective view showing the left side, front and roof of the exercise station shown in FIG. 1.

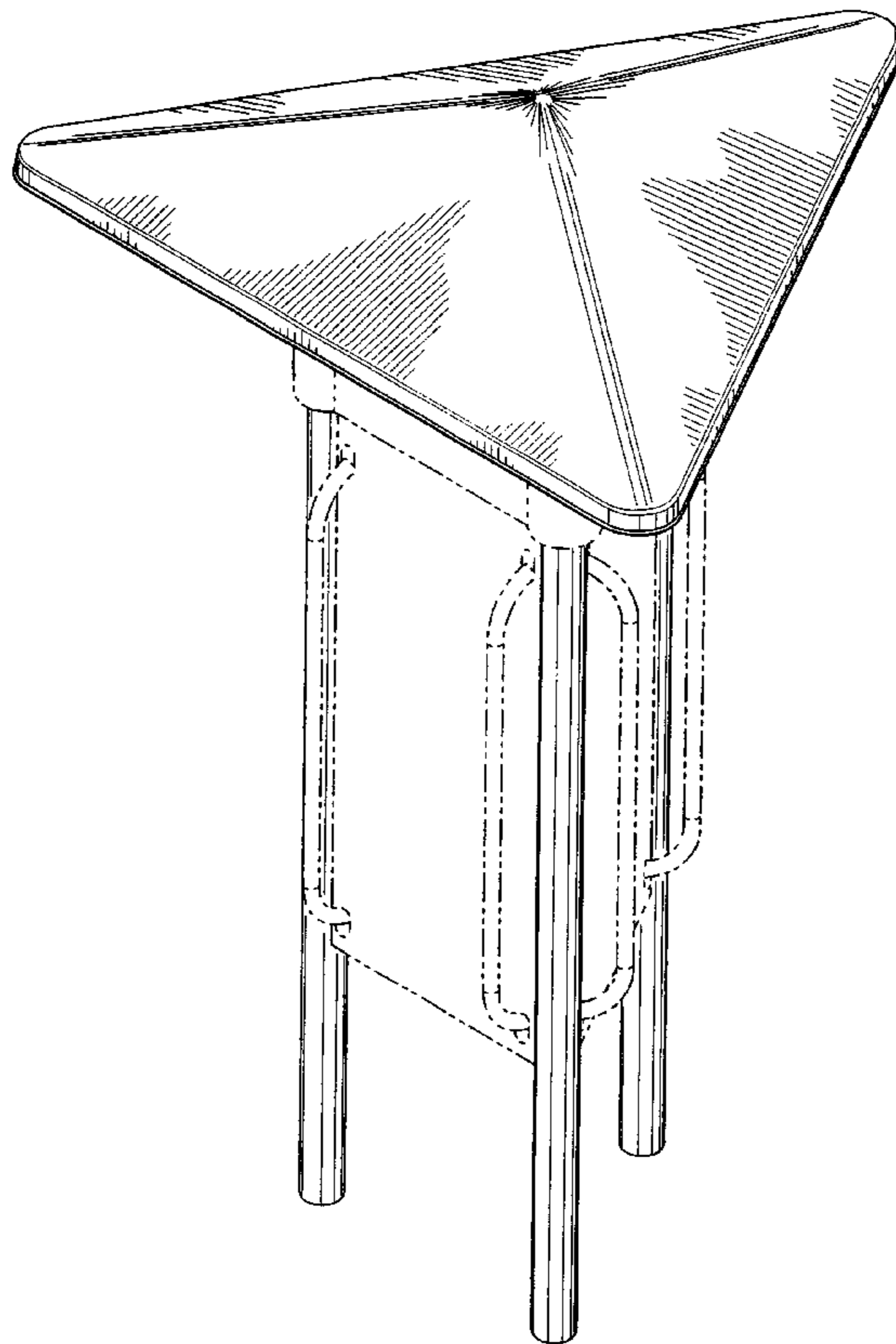
FIG. 3 is a right side view of the exercise station shown in FIG. 1, the left side being a mirror image of the right side view.

FIG. 4 is a top plan view of the exercise station shown in FIG. 1; and,

FIG. 5 is a bottom view of the exercise station shown in FIG. 1.

The portions of the drawings appearing in broken line are for environment only and do not form a part of the design.

1 Claim, 5 Drawing Sheets



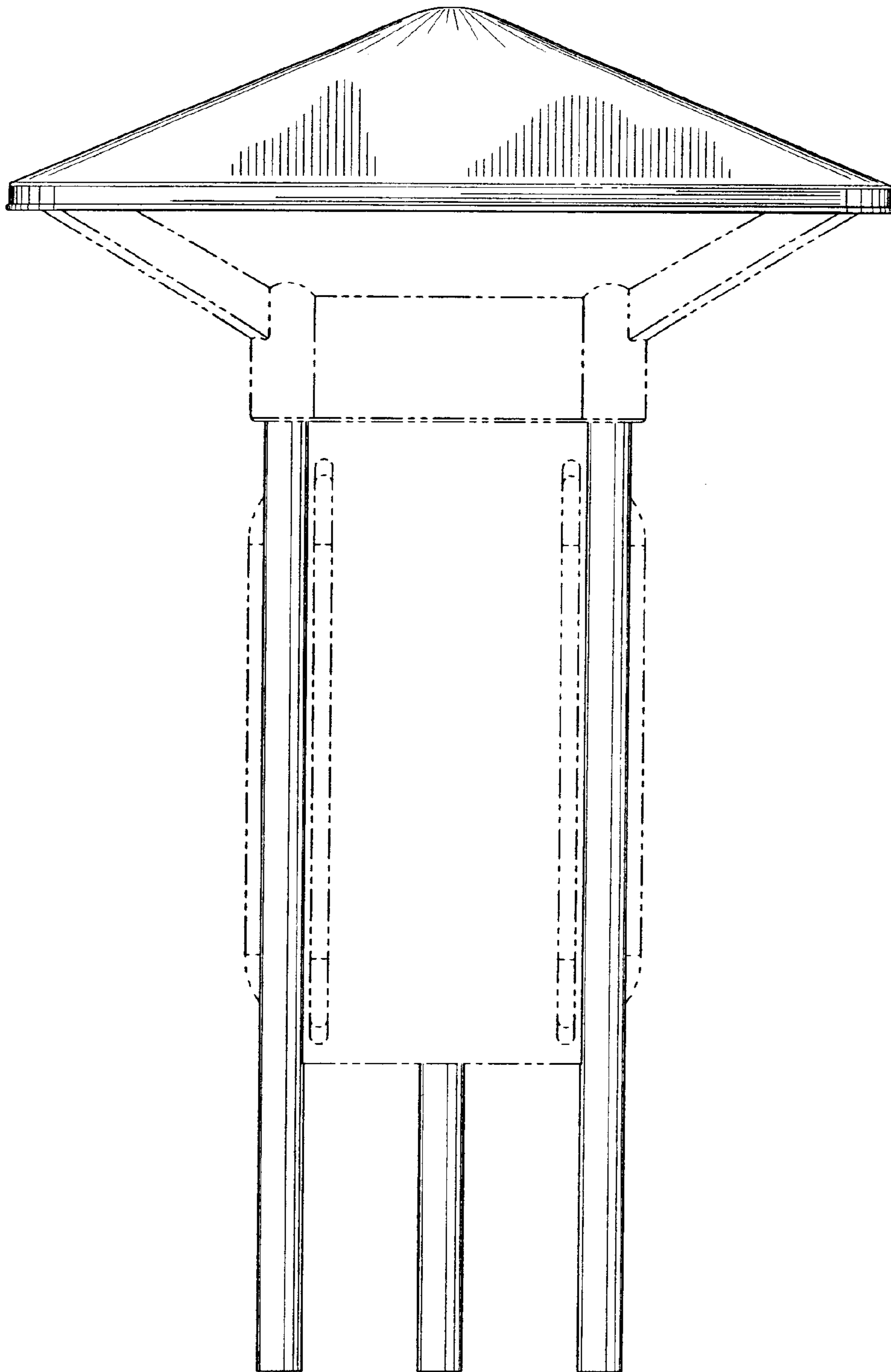


FIG. 1

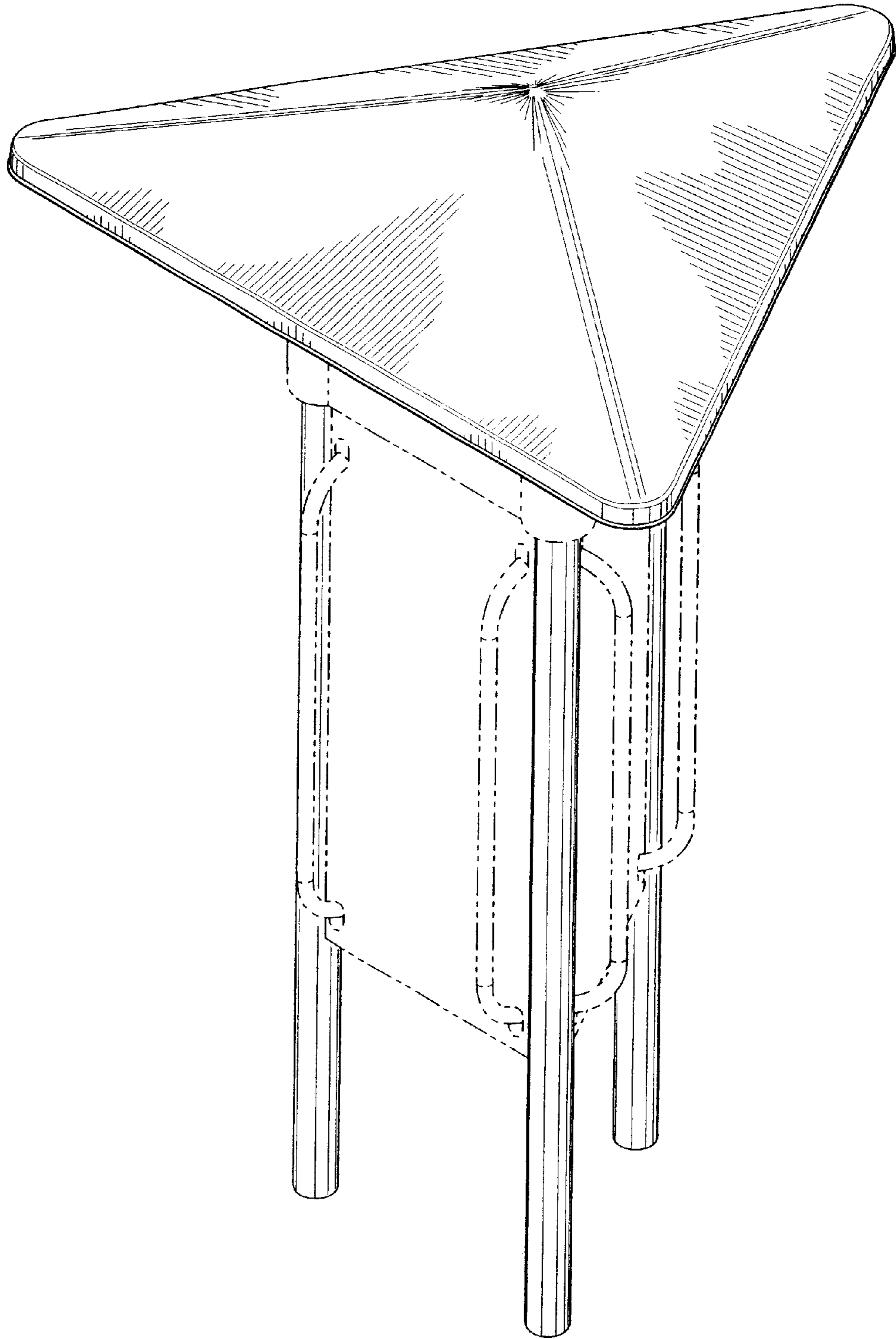


FIG. 2

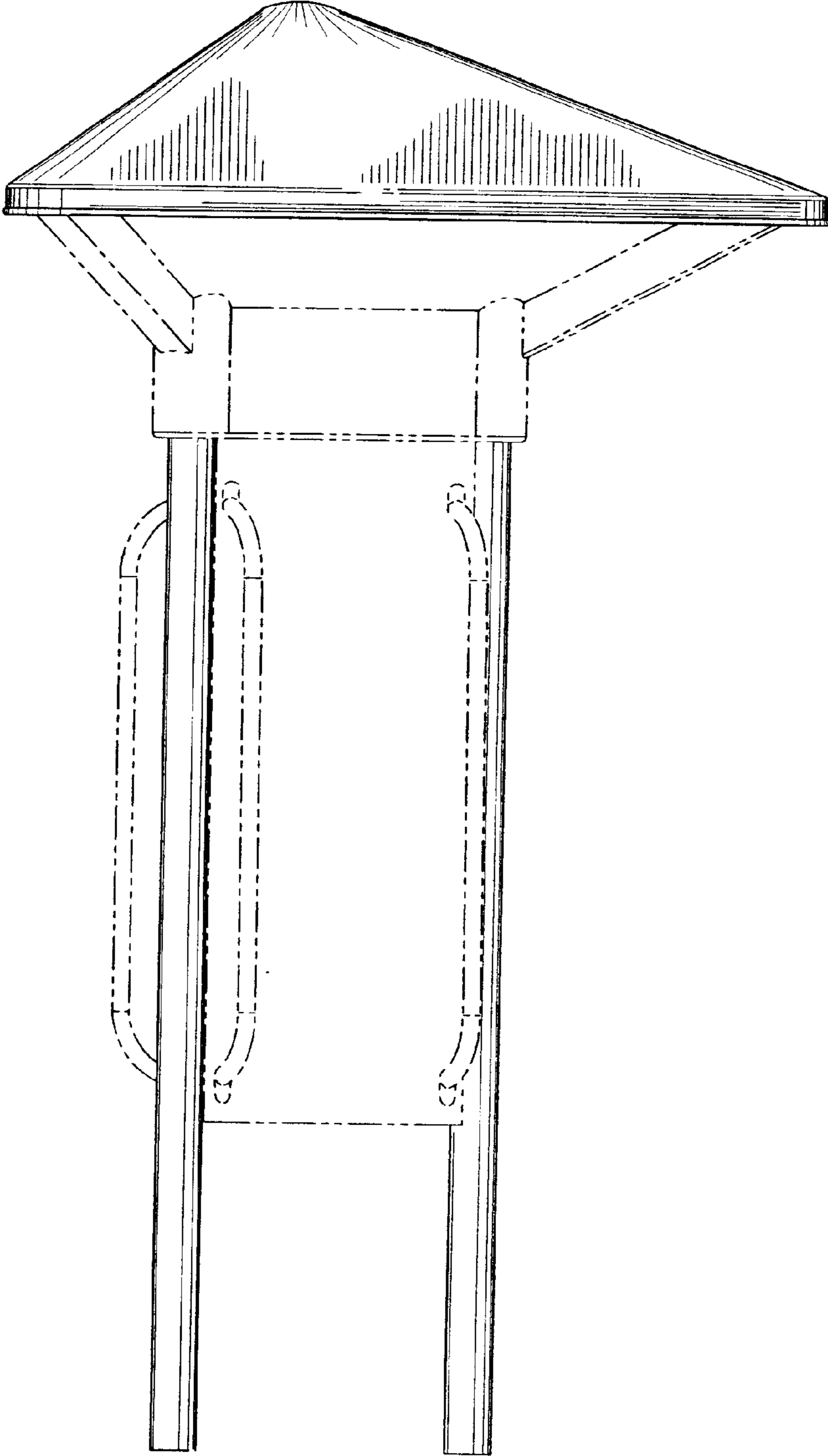


FIG. 3

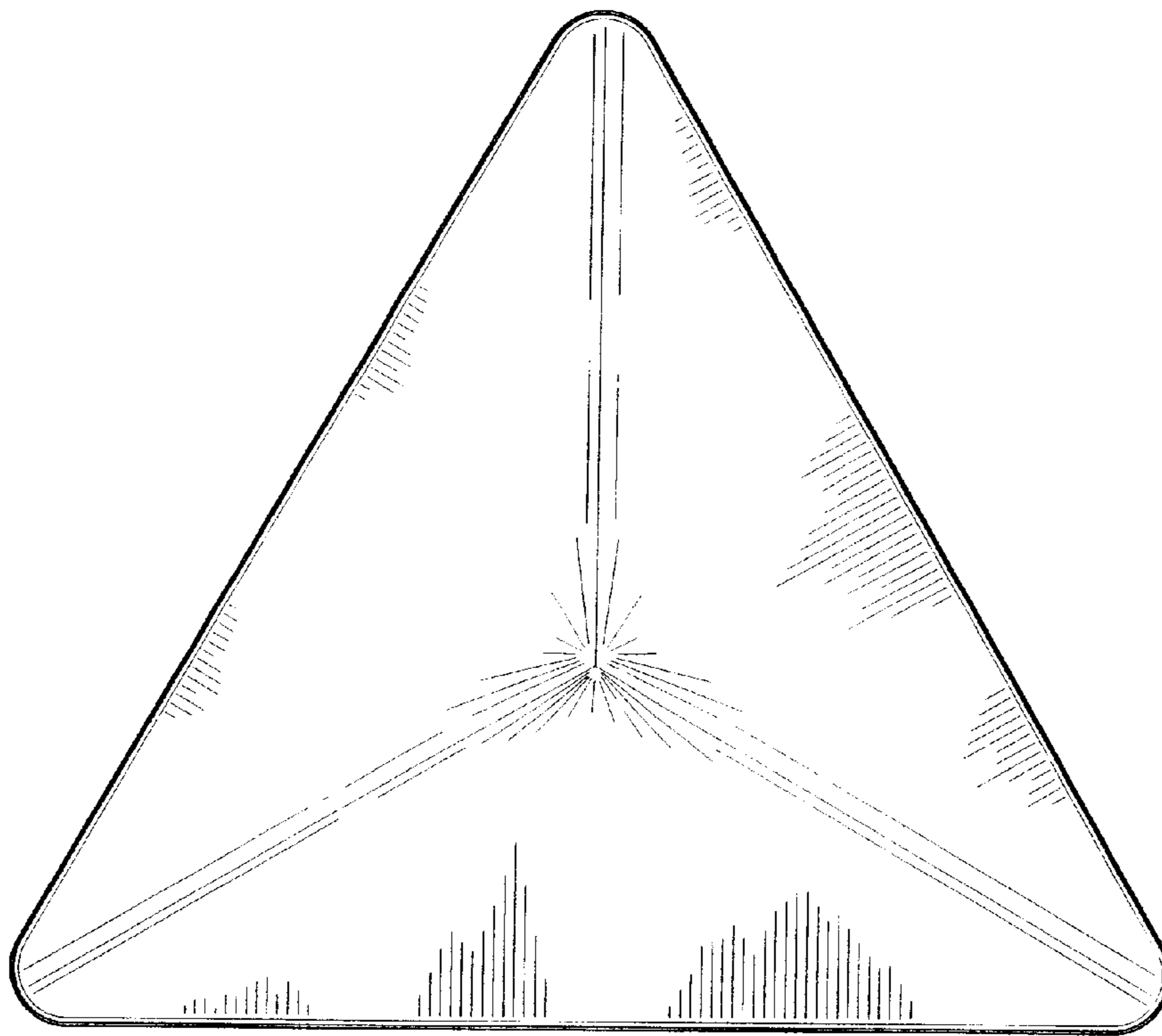


FIG. 4

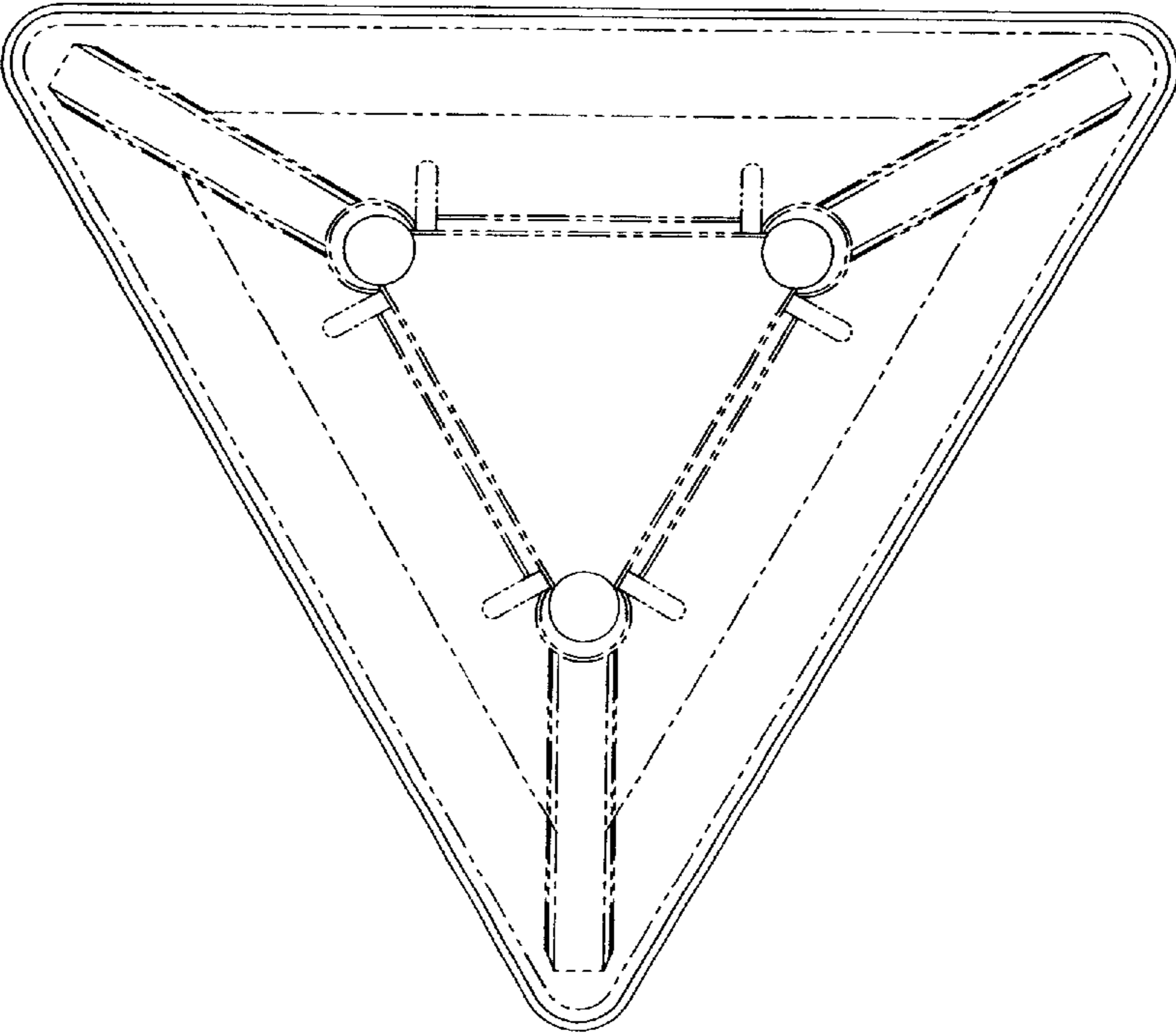


FIG. 5