

US00D529105S

(12) **United States Design Patent**  
**Saruhashi**

(10) **Patent No.:** **US D529,105 S**

(45) **Date of Patent:** **\*\* Sep. 26, 2006**

(54) **TOY**  
(75) **Inventor:** **Nozomu Saruhashi, Osaka (JP)**  
(73) **Assignee:** **Nova Co., Ltd. (JP)**  
(\*\*) **Term:** **14 Years**

(21) **Appl. No.:** **29/202,424**  
(22) **Filed:** **Mar. 30, 2004**

(30) **Foreign Application Priority Data**  
Dec. 22, 2003 (JP) ..... 2003-37814  
(51) **LOC (8) Cl.** ..... **21-01**  
(52) **U.S. Cl.** ..... **D21/655; D21/578; D21/582**  
(58) **Field of Classification Search** ..... D1/107;  
D3/211; D11/158, 162; D21/576, 585, 587-590,  
D21/604-605, 622, 630, 655-656, 659-661,  
D21/451, 578, 582, 637; 446/97-65, 268-269,  
446/361, 391  
See application file for complete search history.

(56) **References Cited**

**U.S. PATENT DOCUMENTS**

D149,531 S \* 5/1948 White ..... D21/655  
D246,199 S \* 10/1977 Ogawa ..... D21/637  
D264,109 S \* 4/1982 Lucas et al. .... D21/637  
D288,705 S \* 3/1987 Shaffer et al. .... D21/655

D386,255 S \* 11/1997 Ying-teng ..... D21/451

\* cited by examiner

*Primary Examiner*—Sandra L. Morris  
(74) *Attorney, Agent, or Firm*—Kusner & Jaffe

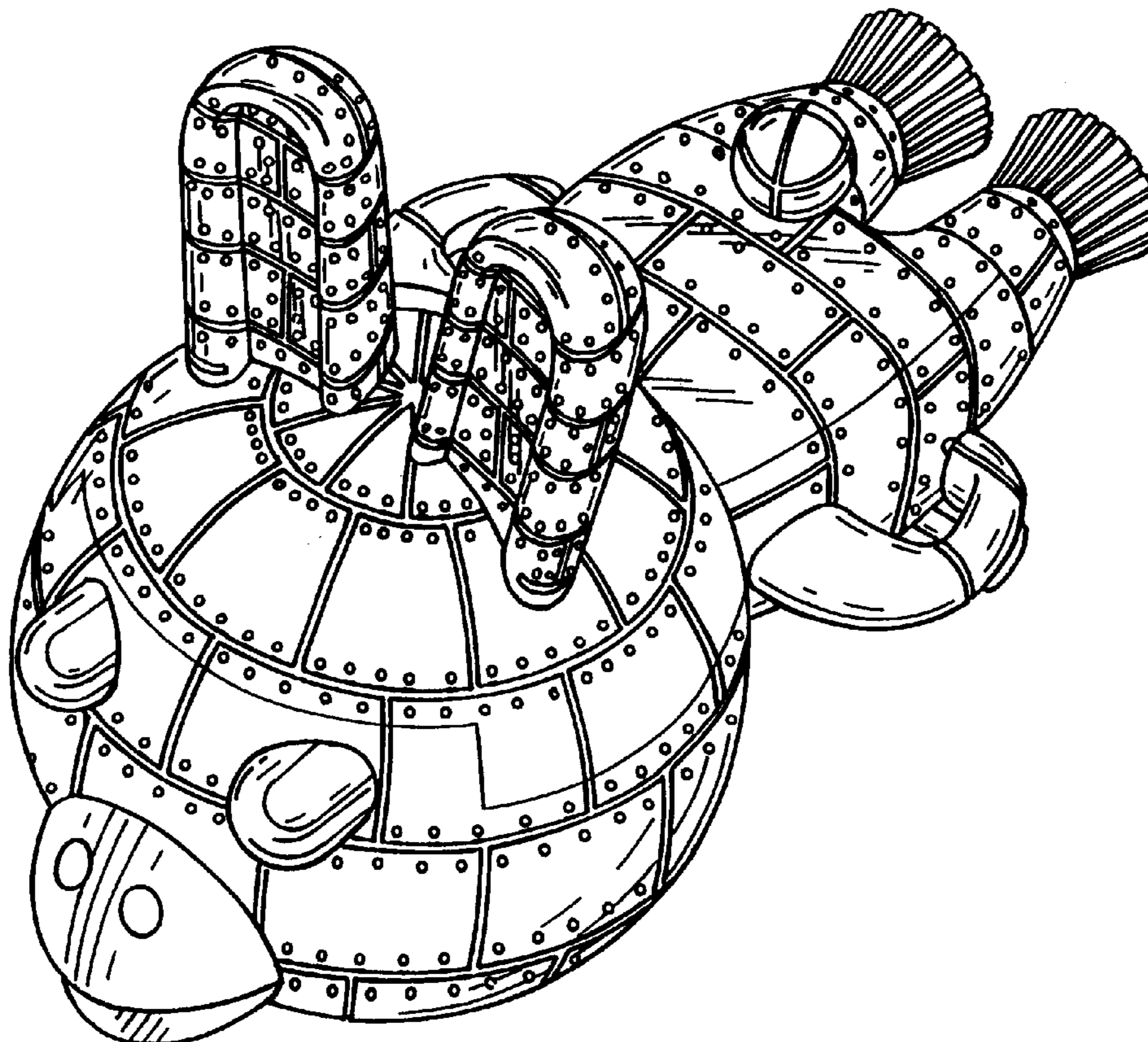
(57) **CLAIM**

The ornamental design for a toy, as shown and described.

**DESCRIPTION**

FIG. 1 is a top side perspective view taken from a front side showing my new design;  
FIG. 2 is a top side perspective view thereof taken from the rear;  
FIG. 3 is a right-side view thereof;  
FIG. 4 is a top view thereof;  
FIG. 5 is a front end view thereof;  
FIG. 6 is a back end view thereof;  
FIG. 7 is a bottom view thereof;  
FIG. 8 is a top view as shown in FIG. 4, but showing a cover in an opened position thereof; the broken line showing is for illustrative purposes only, and forms no part of the claimed design;  
FIG. 9 is a front end view as shown in FIG. 5, but showing a cover in an opened position thereof; and,  
FIG. 10 is a back end view as shown in FIG. 6, but showing a cover in an opened position thereof.

**1 Claim, 5 Drawing Sheets**



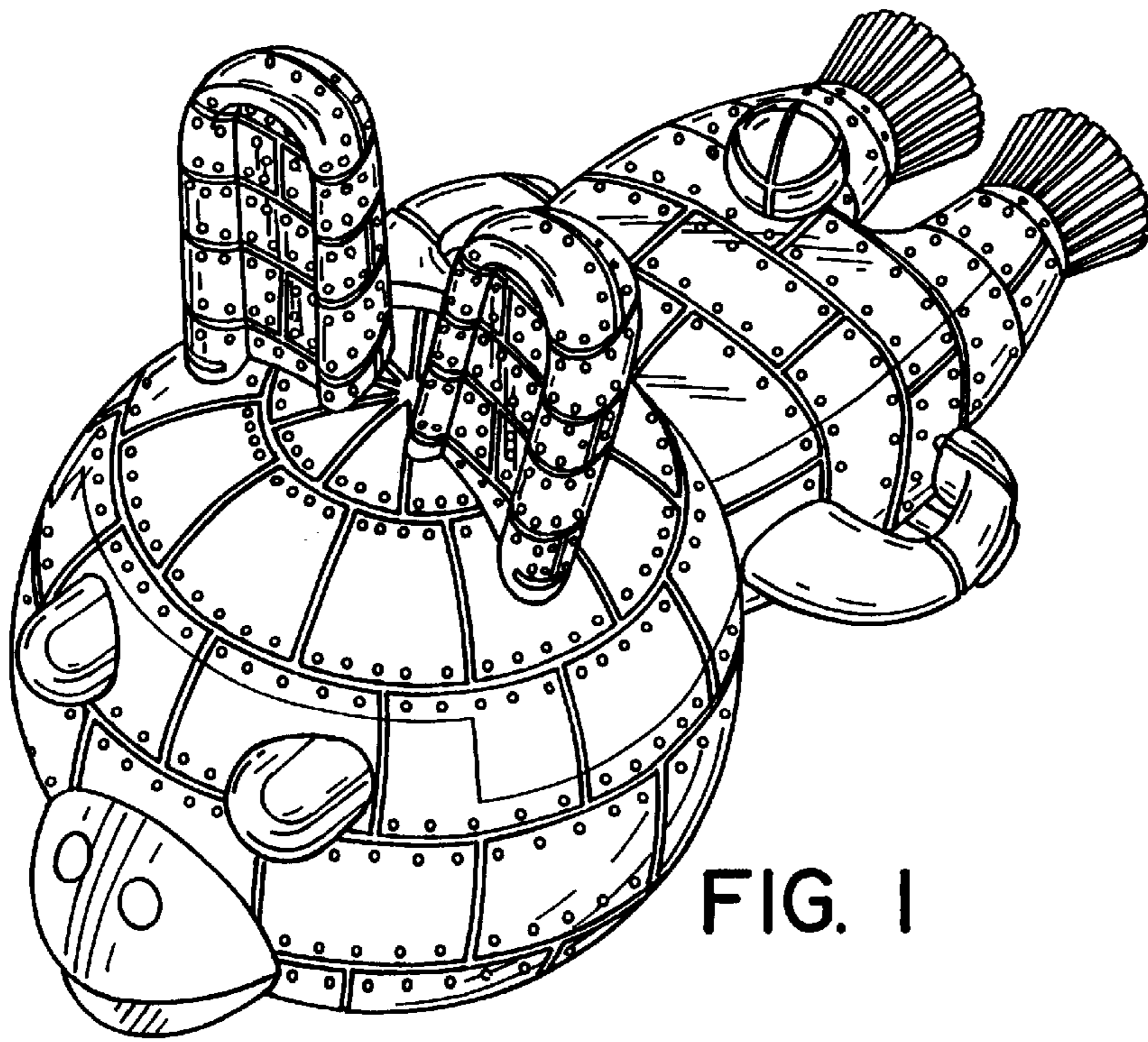


FIG. 1

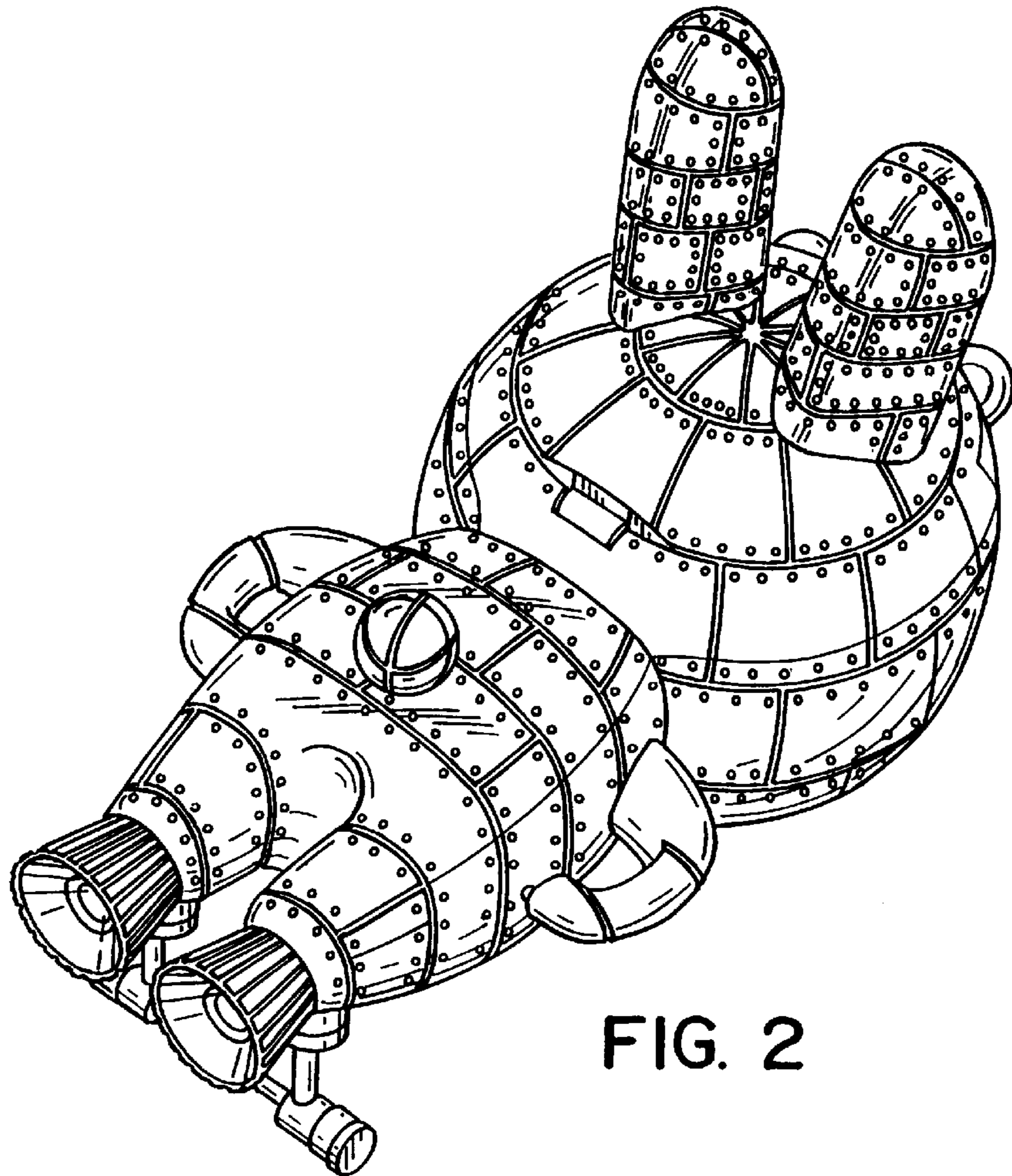


FIG. 2

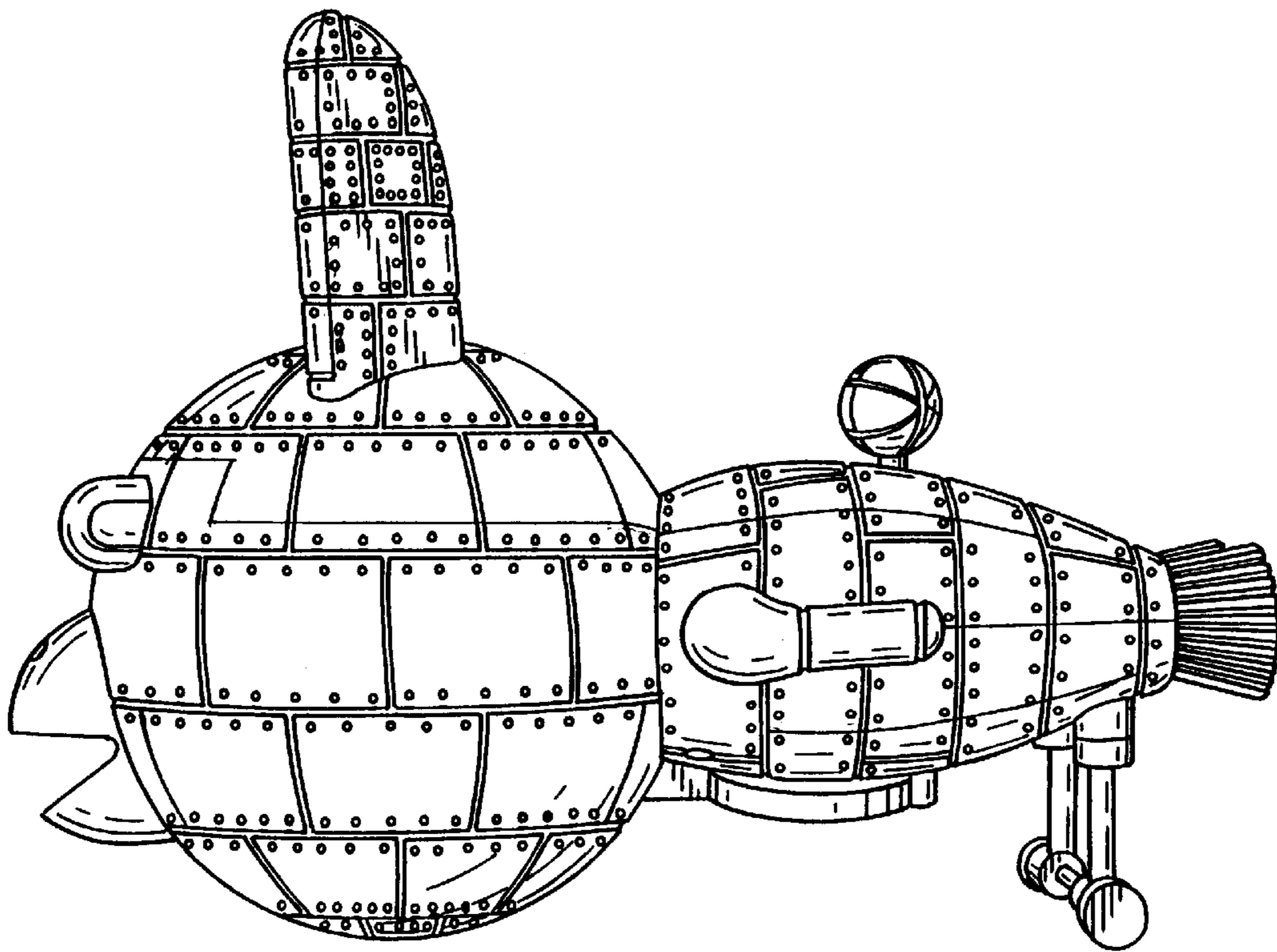


FIG. 3

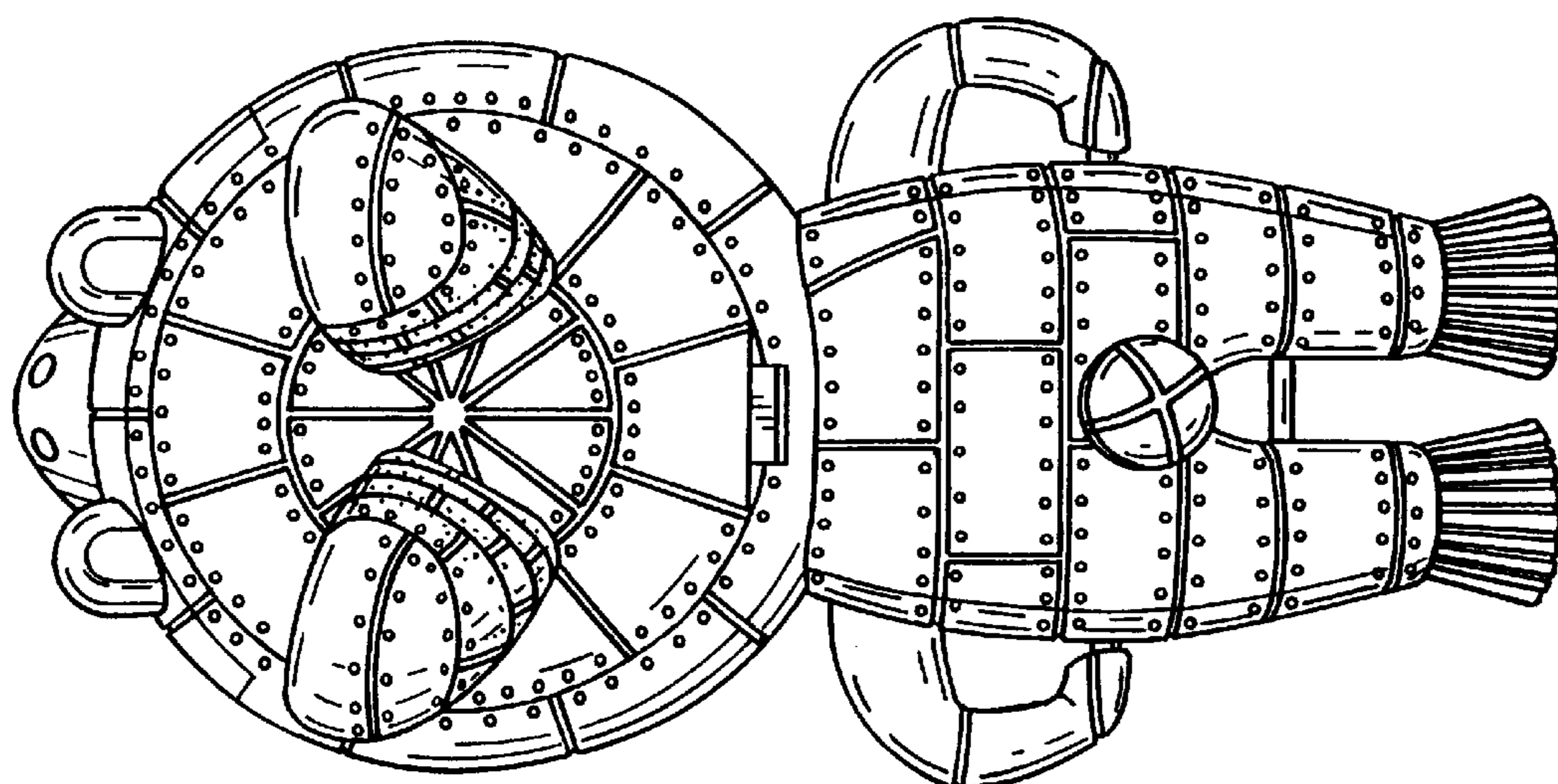


FIG. 4

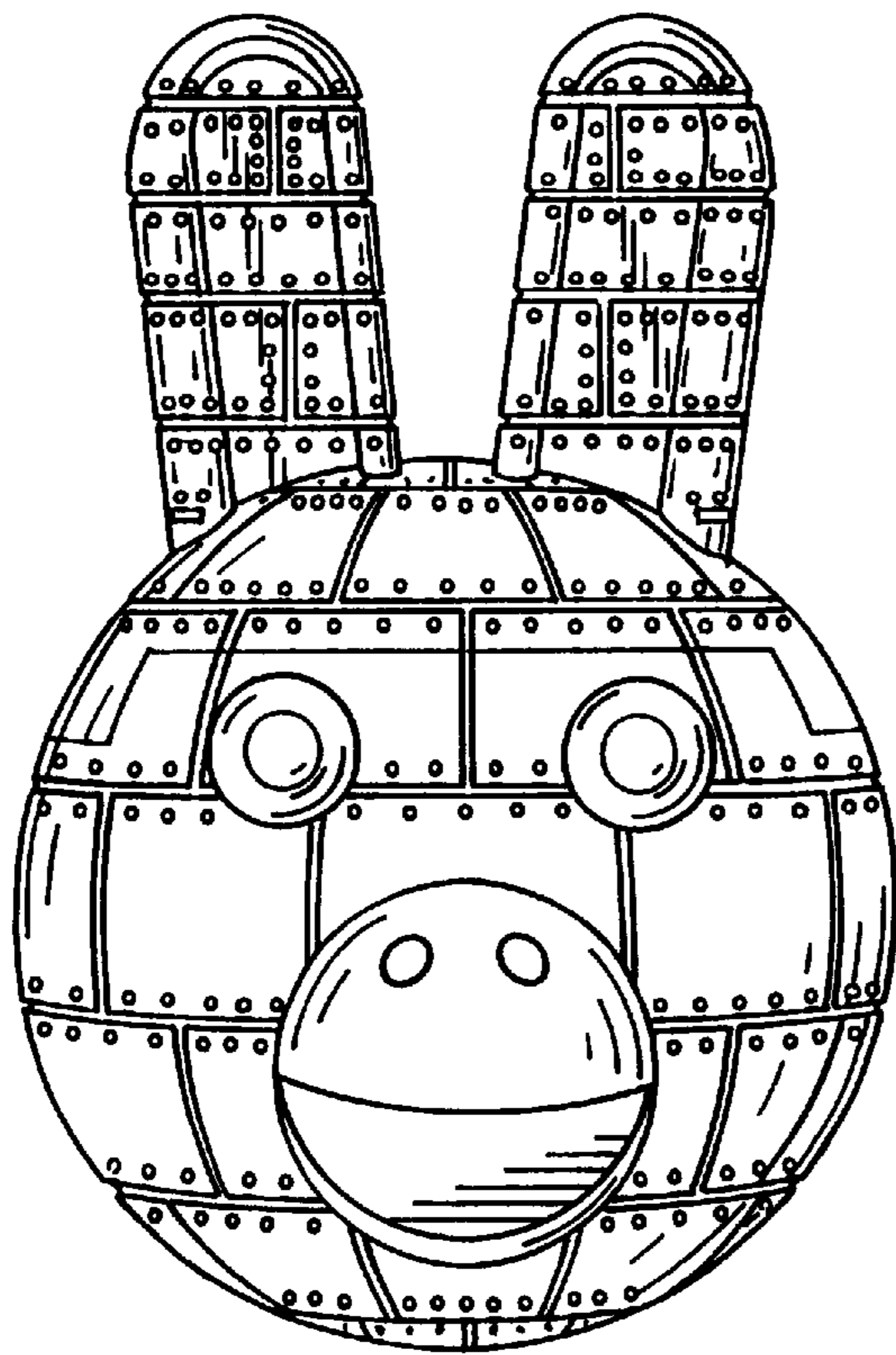


FIG. 5

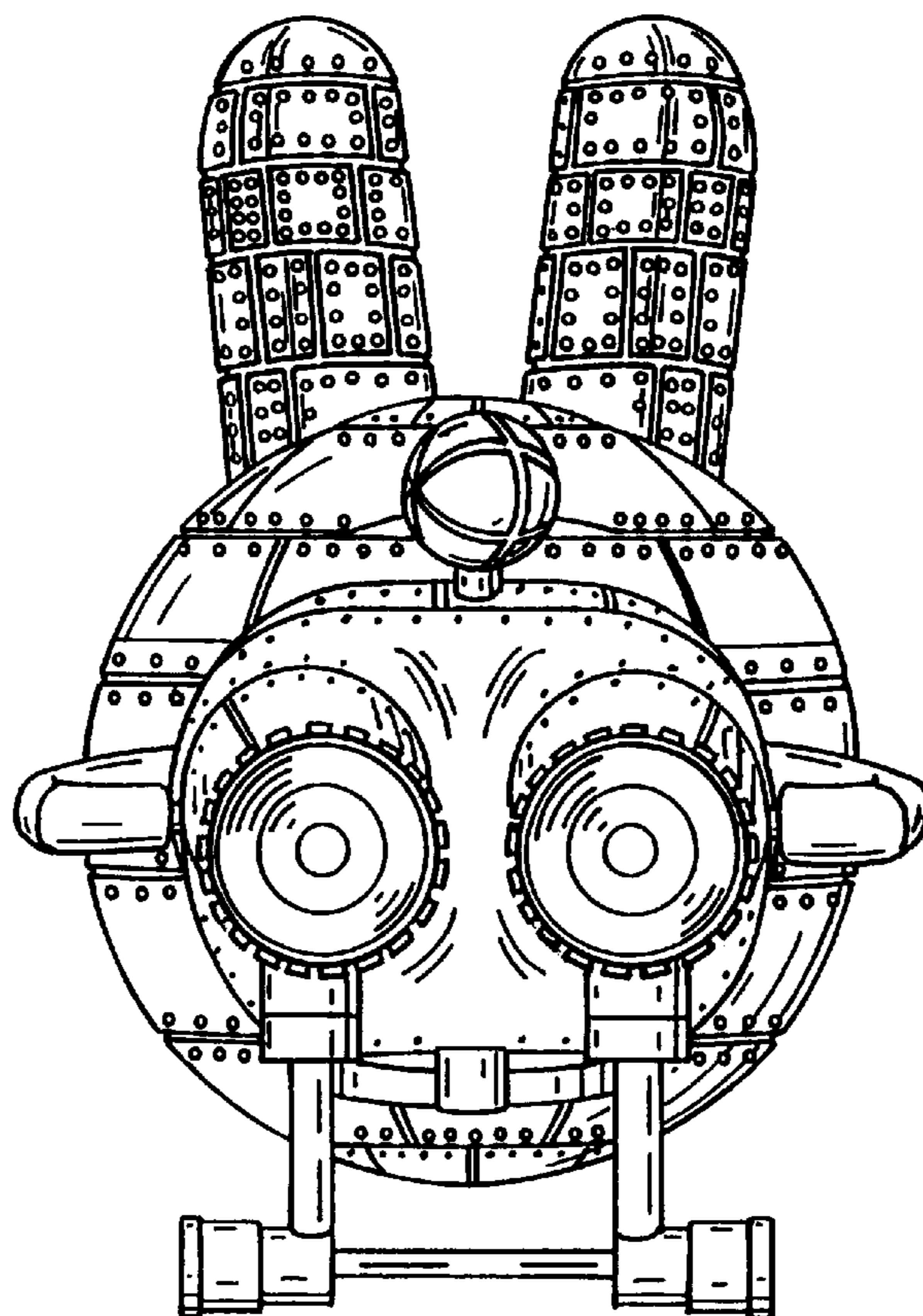


FIG. 6

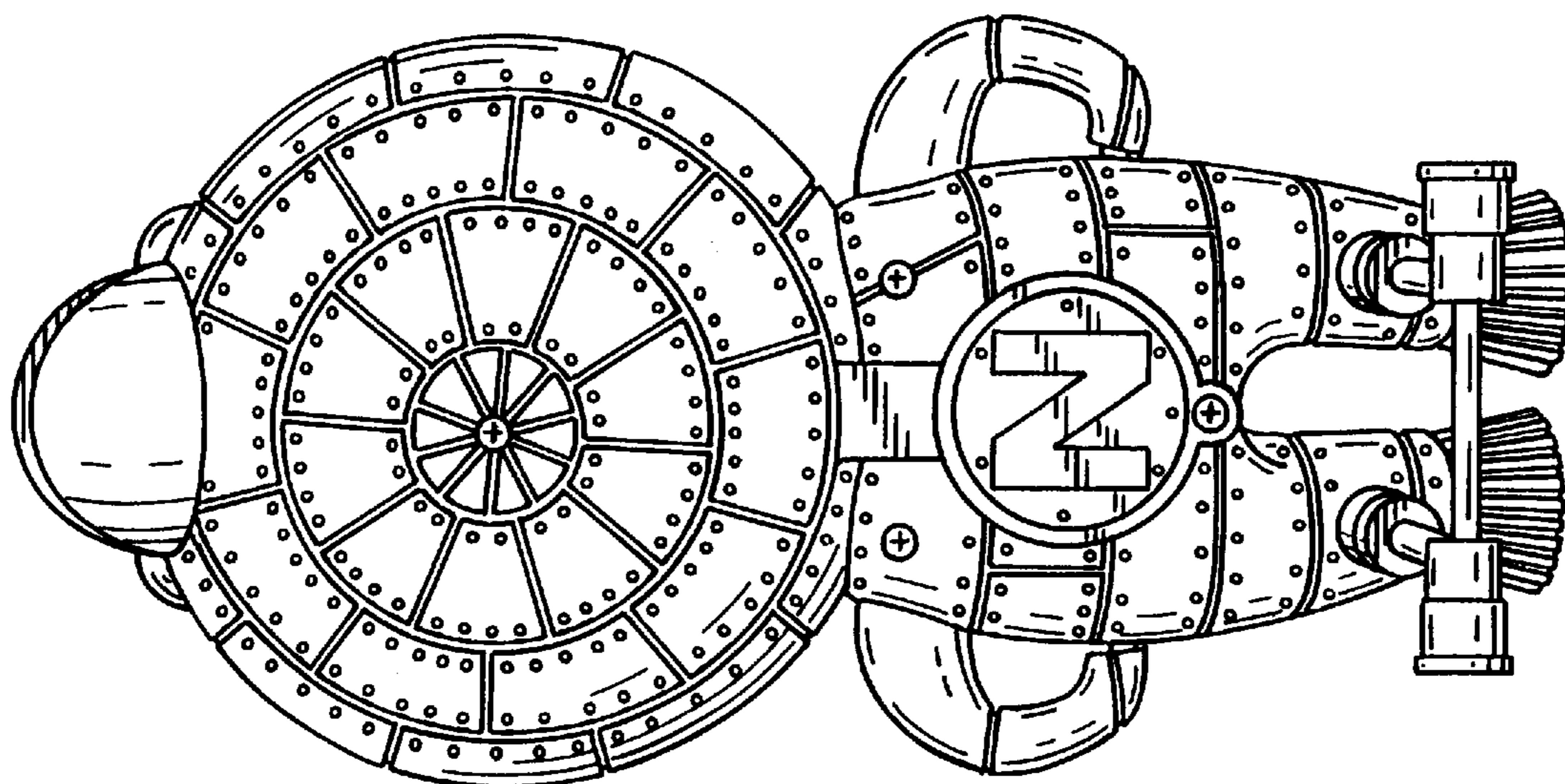


FIG. 7

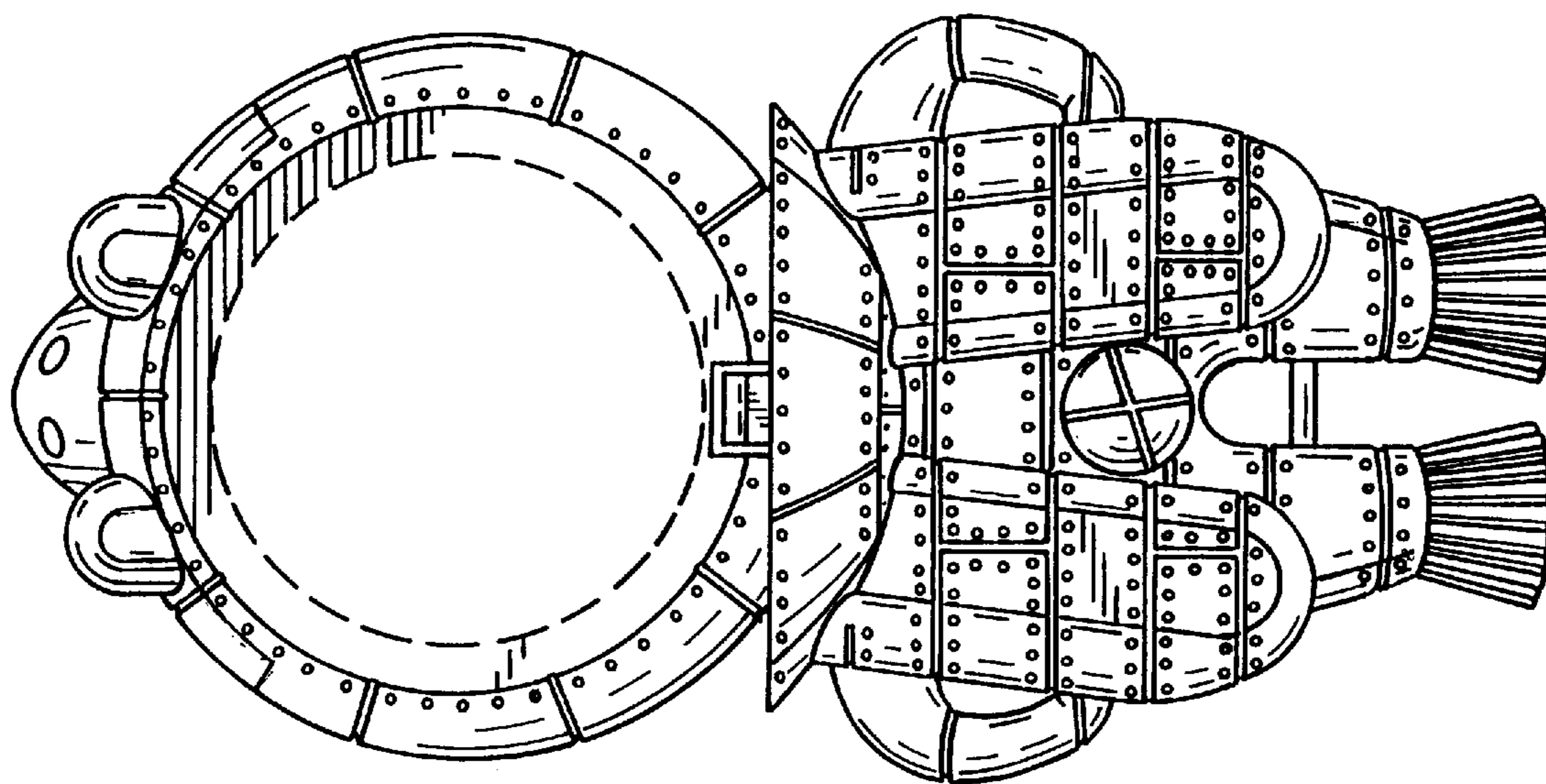


FIG. 8

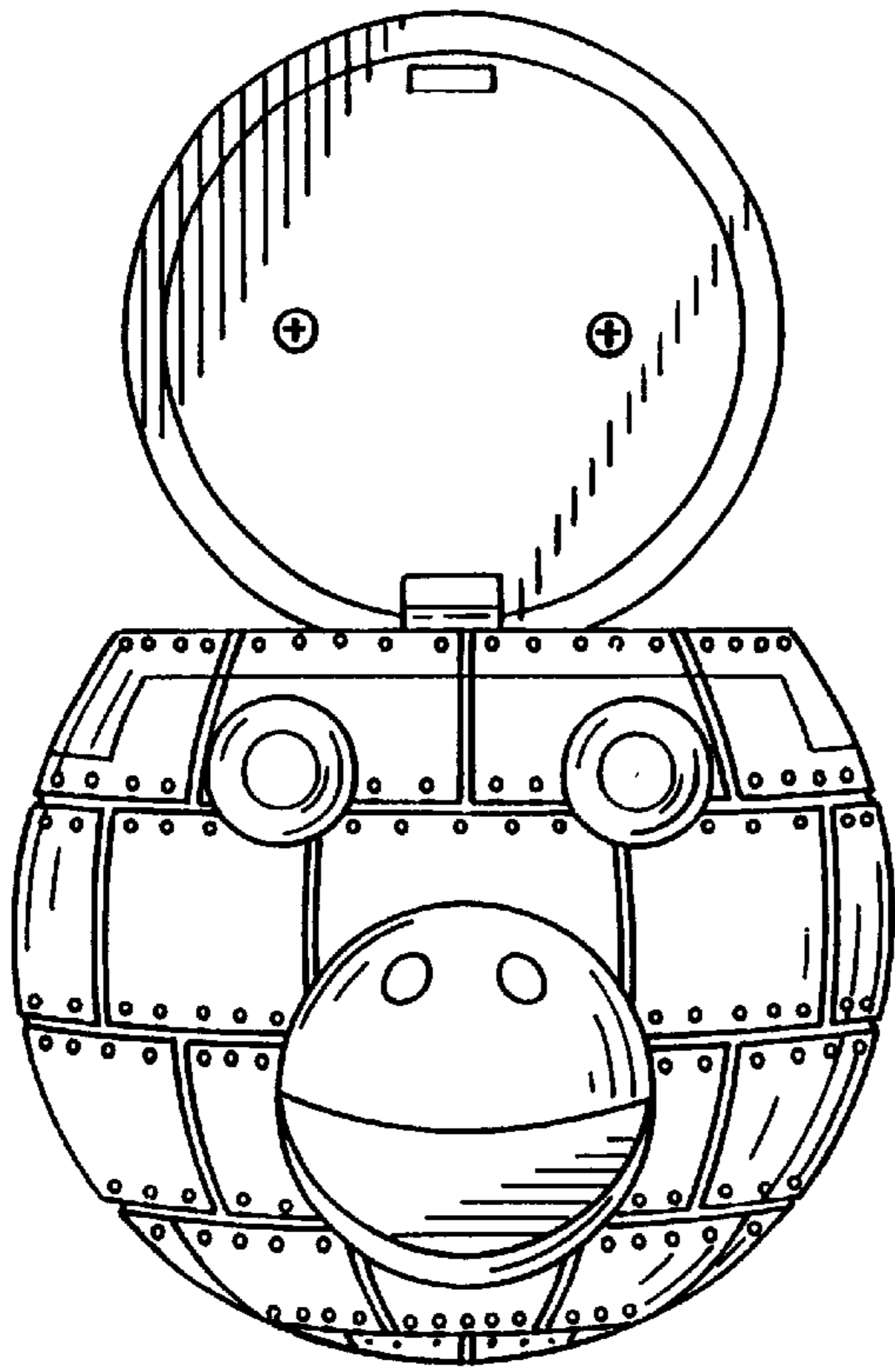


FIG. 9

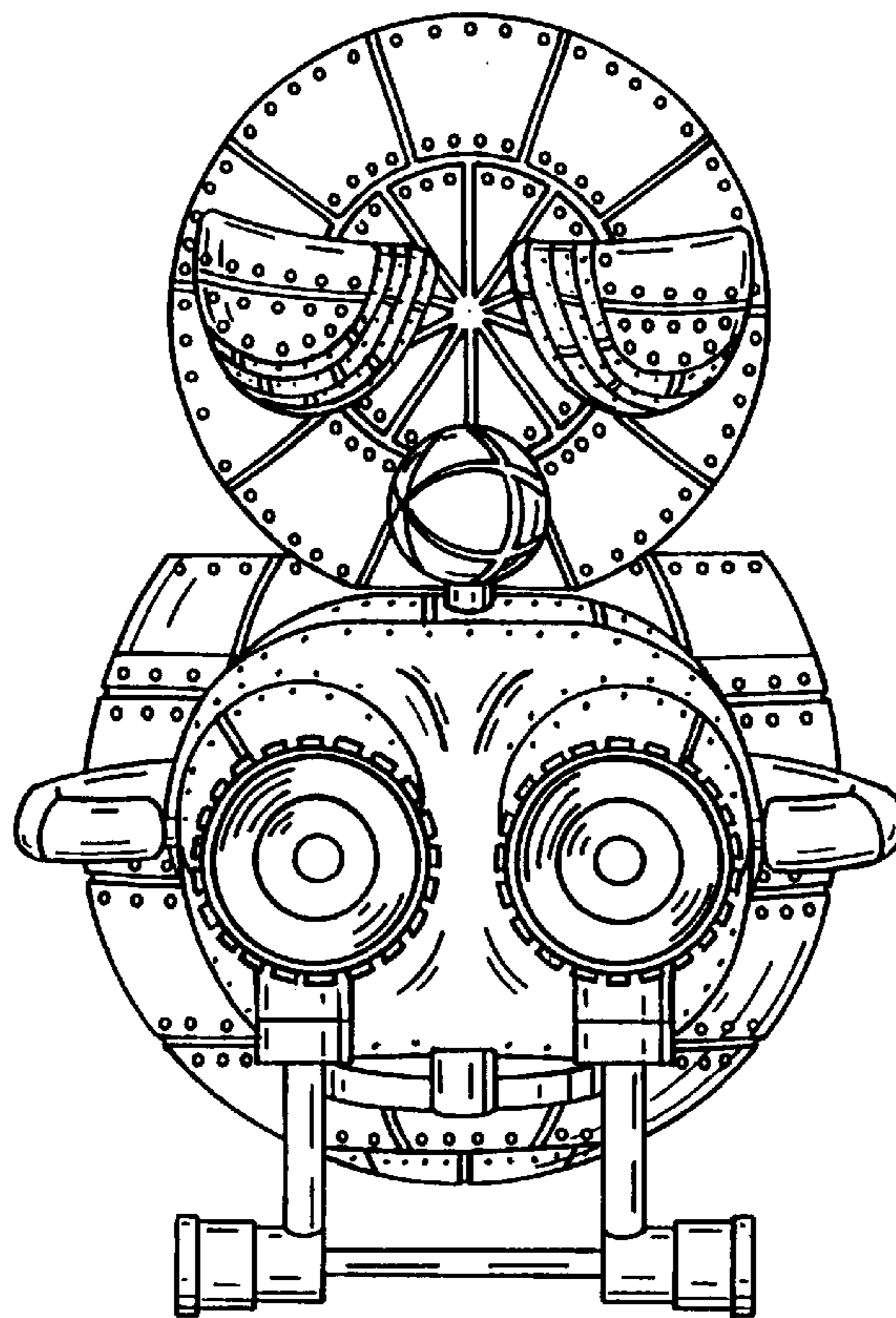


FIG. 10