



US00D529102S

(12) **United States Design Patent**
Sidwell

(10) **Patent No.:** **US D529,102 S**

(45) **Date of Patent:** **** Sep. 26, 2006**

(54) **BALLOON AND ROD CONNECTOR
COMBINED WITH THE ROD**

(76) Inventor: **Paul E. Sidwell**, 1413 Dolgner Pl.,
Sanford, FL (US) 32771

(**) Term: **14 Years**

(21) Appl. No.: **29/228,733**

(22) Filed: **Apr. 28, 2005**

(51) **LOC (8) Cl.** **21-01**

(52) **U.S. Cl.** **D21/453; D20/43**

(58) **Field of Classification Search** D21/438-440,
D21/453, 454; D11/117-130, 146, 164; D8/373,
D8/382, 383, 394, 395, 396; D20/42; 446/220-226;
40/212, 214, 591, 592, 606.01, 606.03, 606.11,
40/606.12, 607.1, 607.11; 428/7-9, 12, 23,
428/27, 31; 248/309.1, 310, 314, 499, 500,
248/503, 509, 176.1, 346.01, 910; 24/30.5,
24/543, 545, 555, 570; 211/13.1, 60.1, 89.01;
116/28 R, 30, 210, DIG. 8, DIG. 9

See application file for complete search history.

(56) **References Cited**

U.S. PATENT DOCUMENTS

2,882,645 A	4/1959	Stivers	
3,267,604 A	8/1966	Goldsmith	
4,661,081 A *	4/1987	Basseches	446/220
4,715,841 A *	12/1987	Nelson et al.	446/222
4,729,749 A *	3/1988	Milne	446/222
4,737,133 A	4/1988	Neumeier	
4,837,059 A *	6/1989	Milne	428/12
4,879,823 A *	11/1989	Collins	40/124.01
4,895,545 A *	1/1990	Nelson	446/220
5,021,022 A	6/1991	Ganz	

D329,261 S *	9/1992	Pollack	D21/440
5,203,530 A *	4/1993	Liu	248/309.1
5,295,891 A *	3/1994	Schalk	446/222
5,395,276 A	3/1995	Valentino	
D360,844 S *	8/1995	Miller et al.	D10/110
5,444,607 A	8/1995	Dreyfuss	
6,176,758 B1	1/2001	Wu	
6,375,534 B1 *	4/2002	Burns	446/220
6,575,806 B1	6/2003	Nelson et al.	

FOREIGN PATENT DOCUMENTS

EP	105179	4/1984
WO	91/05592	5/1991

* cited by examiner

Primary Examiner—Catherine Tuttle
(74) *Attorney, Agent, or Firm*—Stephen R. Greiner

(57) **CLAIM**

The ornamental design for a balloon and rod connector combined with the rod, as shown and described.

DESCRIPTION

FIG. 1 is a perspective view showing my new design with the rod portion removed for a clear disclosure of the end configuration;

FIG. 2 is a reduced scale front elevational view thereof;

FIG. 3 is a rear elevational view thereof;

FIG. 4 is a left side elevational view thereof;

FIG. 5 is a right side elevational view thereof;

FIG. 6 is a top view thereof;

FIG. 7 is a bottom view thereof; and,

FIG. 8 is an enlarged scale perspective view of the cross section along line 8—8 of FIG. 3.

1 Claim, 3 Drawing Sheets

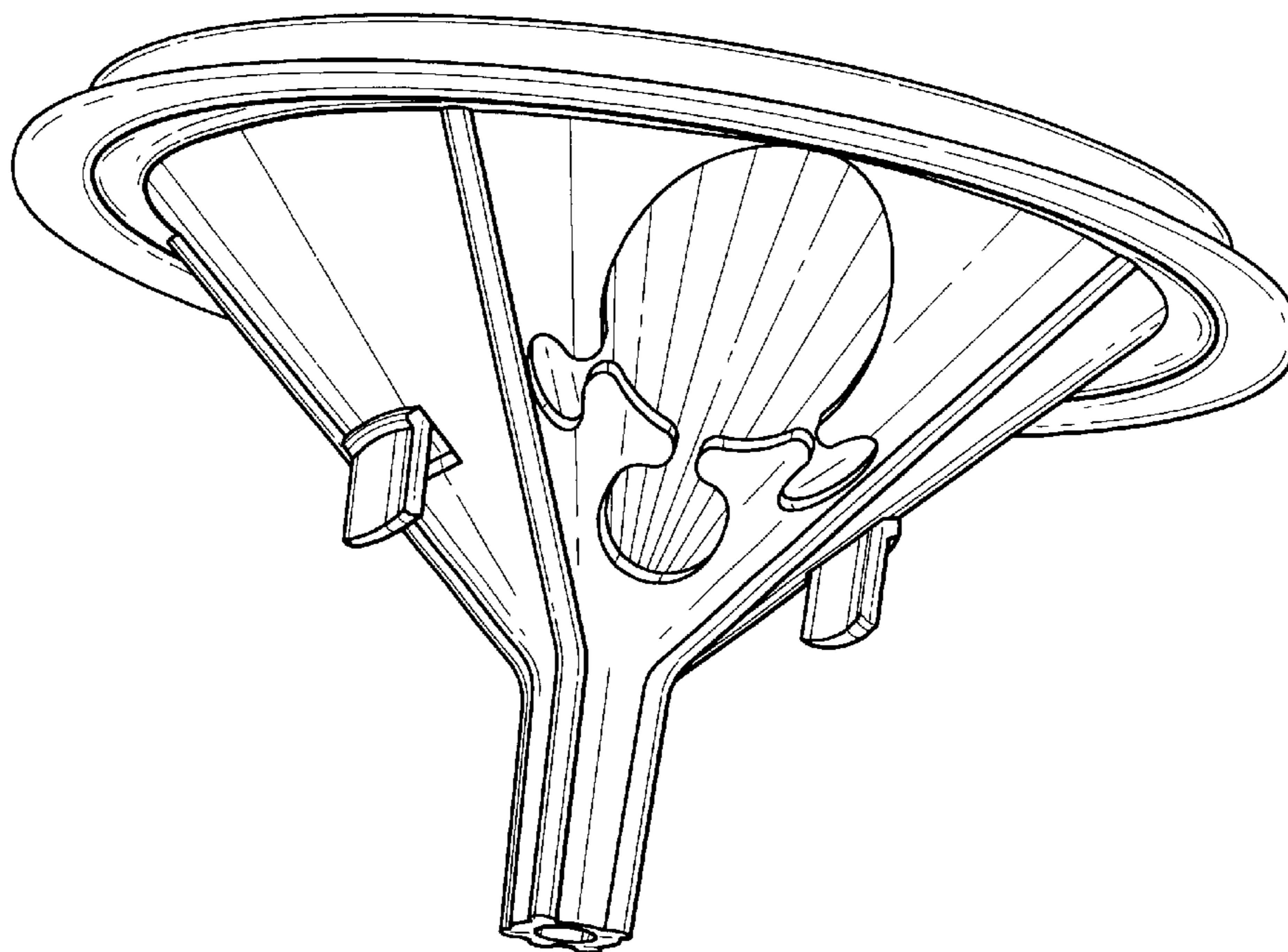


FIG. 1

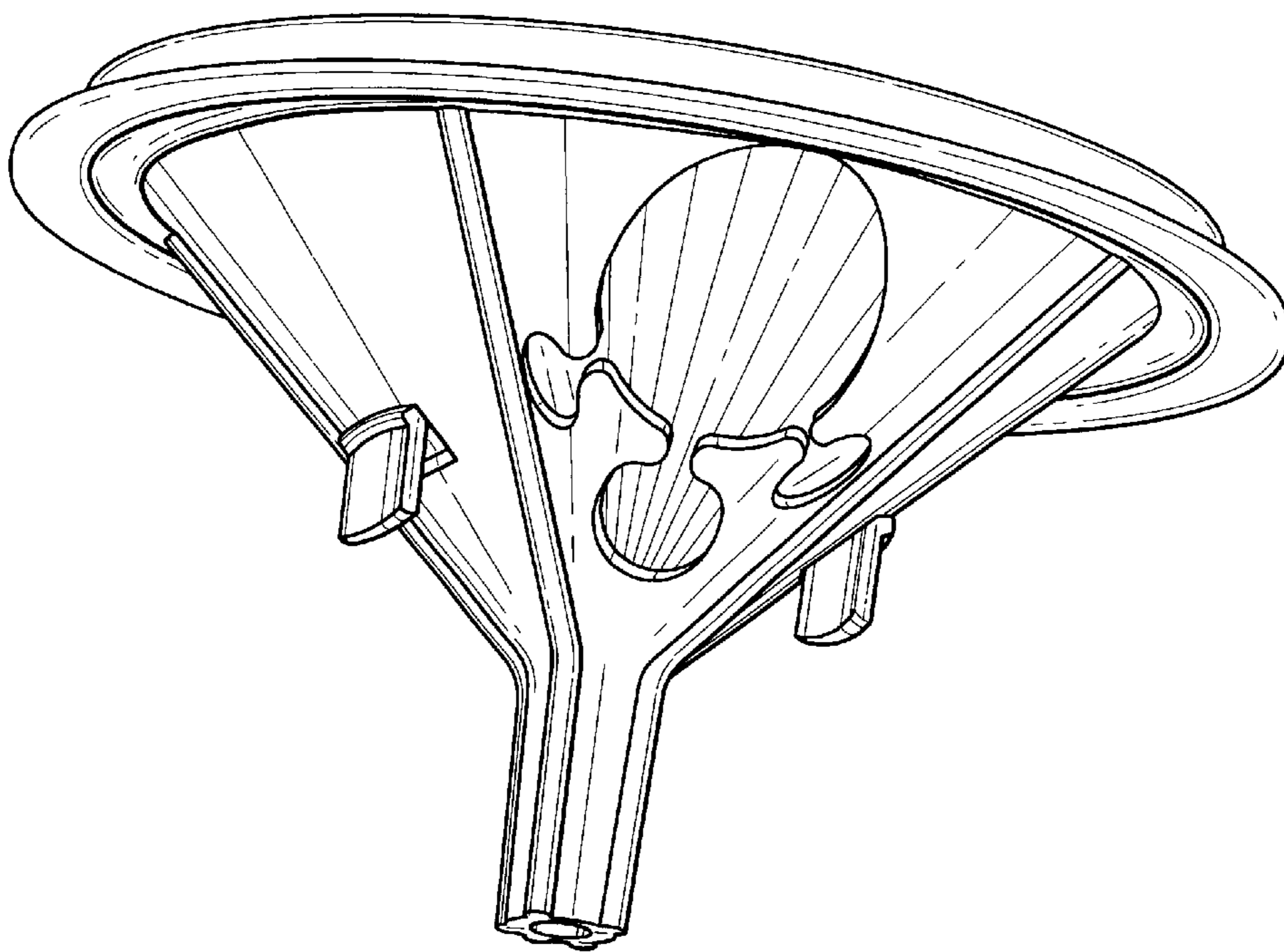


FIG. 2

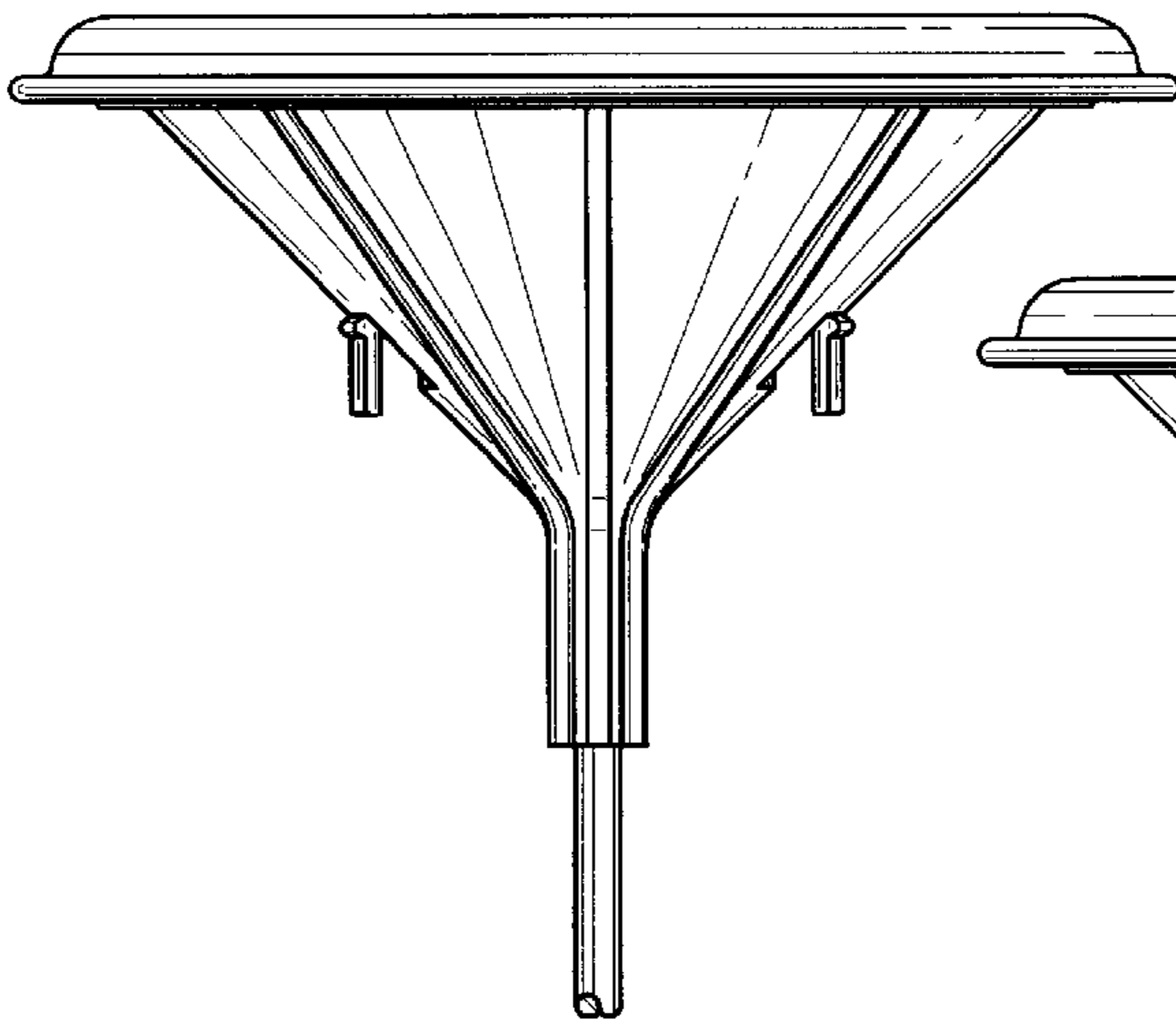


FIG. 3

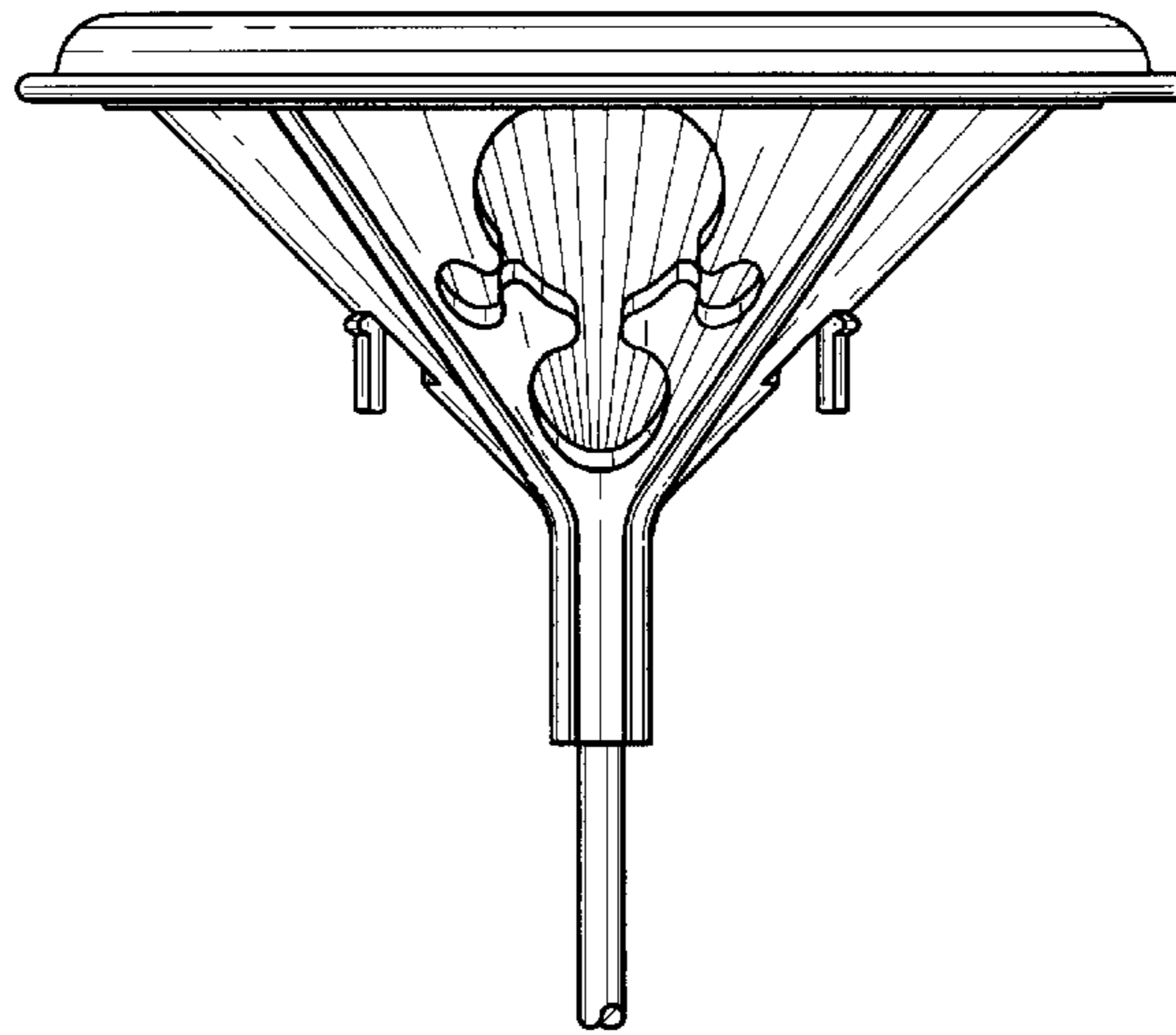


FIG. 4

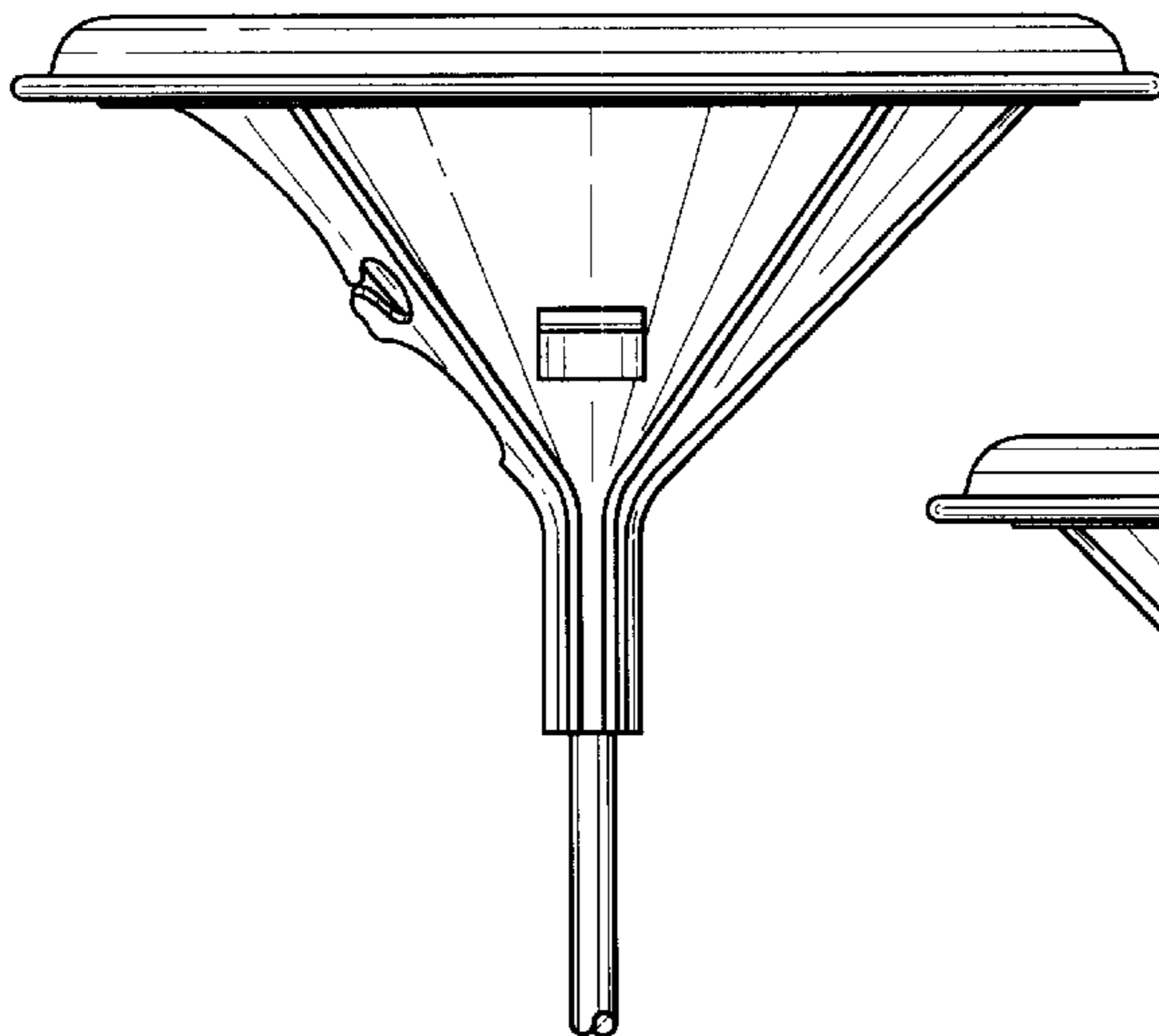


FIG. 5

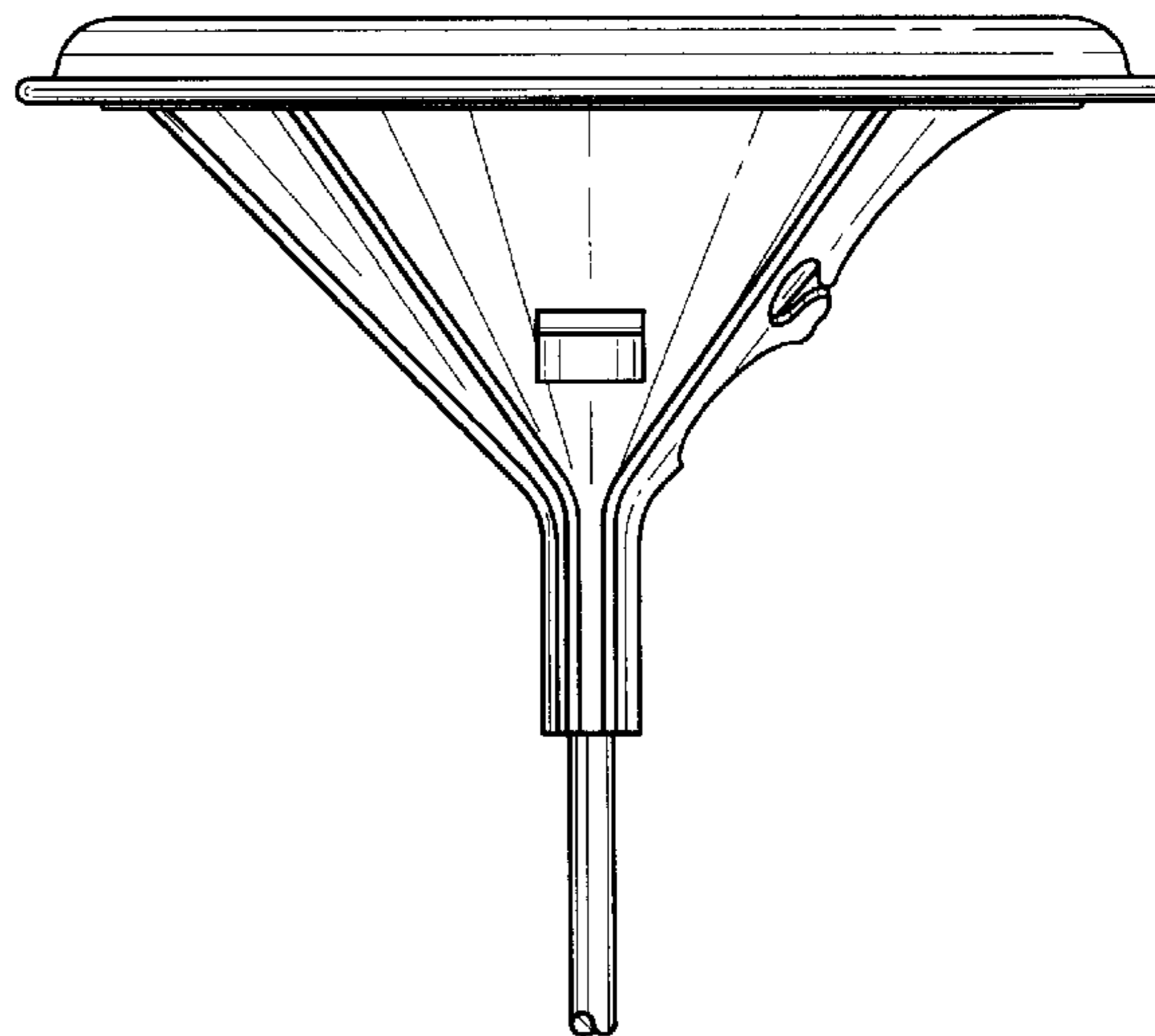


FIG. 6

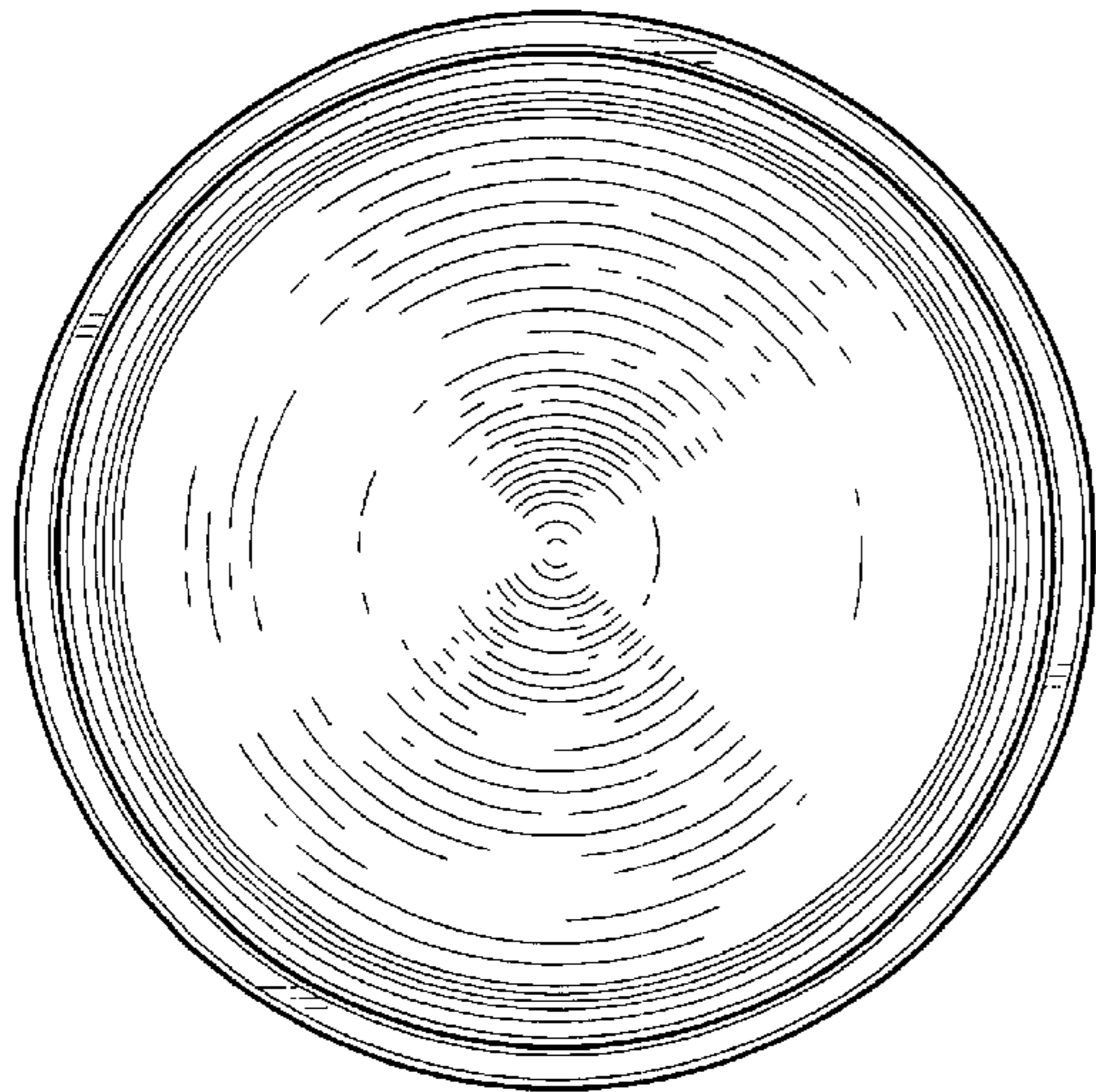


FIG. 7

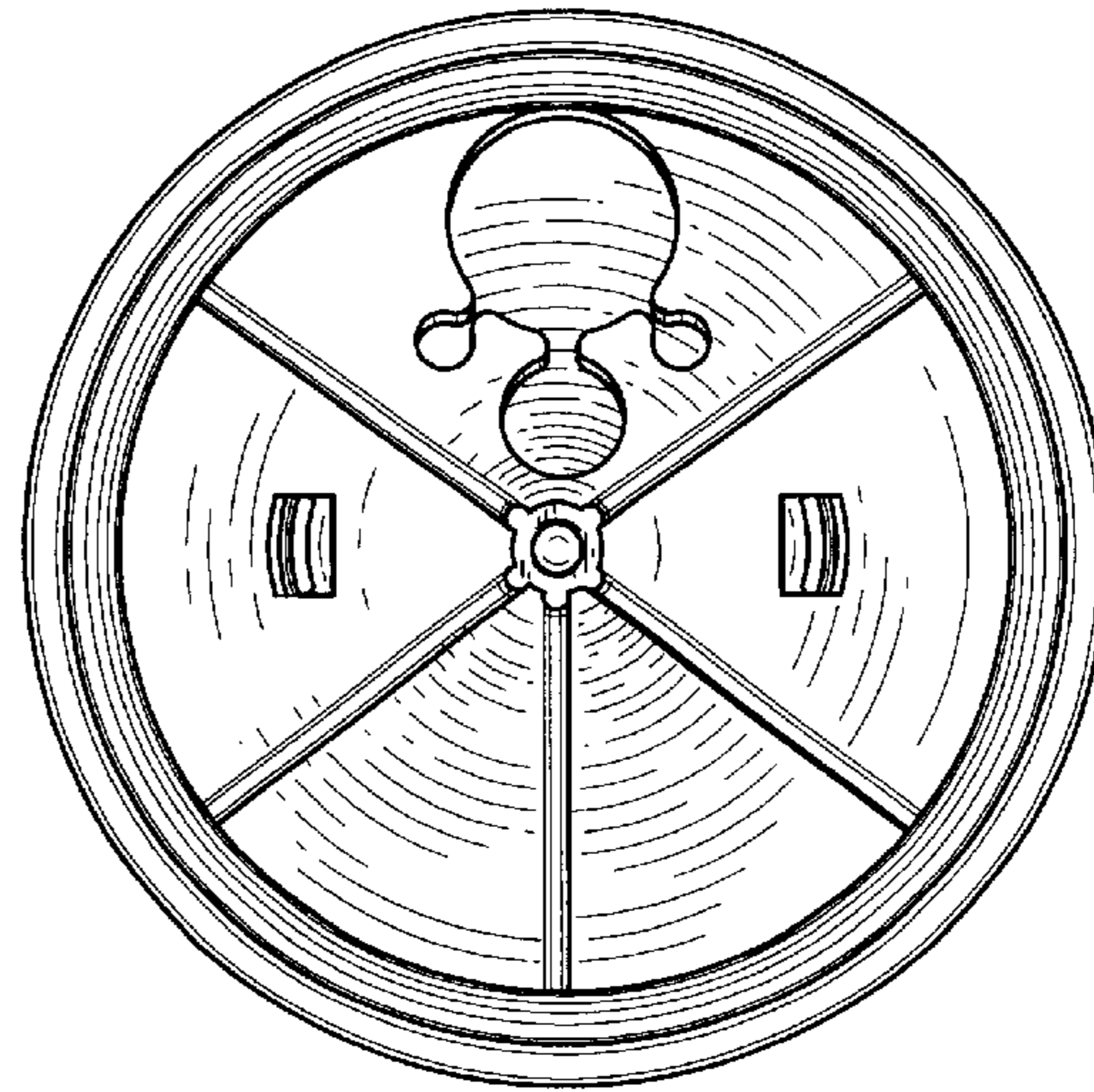


FIG. 8

