



US00D529101S

(12) **United States Design Patent** (10) **Patent No.:** **US D529,101 S**  
**Kaminkow et al.** (45) **Date of Patent:** **\*\* Sep. 26, 2006**

(54) **GAMING SYSTEM SPACER ASSEMBLY FOR A SHARED SYMBOL DISPLAY**

(75) Inventors: **Joseph E. Kaminkow**, Reno, NV (US); **Anthony J. Baerlocher**, Reno, NV (US); **Kehl T. LeSourd**, Reno, NV (US); **Kirk A. Tedsen**, Reno, NV (US); **Eric L. Wagner**, Sparks, NV (US); **Christopher D. Carlisle**, Reno, NV (US)

(73) Assignee: **IGT**, Reno, NV (US)

(\*\*) Term: **14 Years**

(21) Appl. No.: **29/253,515**

(22) Filed: **Feb. 8, 2006**

**Related U.S. Application Data**

(62) Division of application No. 29/214,425, filed on Sep. 30, 2004.

(51) **LOC (8) Cl.** ..... **21-01**

(52) **U.S. Cl.** ..... **D21/385**; D21/369; D21/324

(58) **Field of Classification Search** ..... D21/334-375, D21/324, 329, 385; 273/138.1-139, 274, 273/292, 142 R, 148 R, 309; 463/16-17, 463/20, 25, 42, 46-47; D25/19; D6/443; D14/127

See application file for complete search history.

(56) **References Cited**

**U.S. PATENT DOCUMENTS**

4,614,342 A 9/1986 Takashima

(Continued)

**FOREIGN PATENT DOCUMENTS**

EP 1 467 329 A2 4/2004

(Continued)

**OTHER PUBLICATIONS**

The \$1,000,000 Pyramid Game advertisement, published by IGT in 2001.

(Continued)

*Primary Examiner*—Sandra L. Morris  
(74) *Attorney, Agent, or Firm*—Bell, Boyd & Lloyd LLC

(57) **CLAIM**

The ornamental design for a gaming system spacer assembly for a shared symbol display, as shown and described.

**DESCRIPTION**

This application relates to the following co-pending commonly owned patent applications: “Gaming System Shared Symbol Display and Protective Dome,” Ser. No. 29/253,516; “Gaming System Dome for a Shared Symbol Display,” Ser. No. 29/253,510; “Gaming System Dome for a Shared Symbol Display,” Ser. No. 29/253,514; “Gaming System Dome Cap for a Shared Symbol Display,” Ser. No. 29/253,518; “Gaming System Dome Cap for a Shared Symbol Display,” Ser. No. 29/253,561; “Gaming System Indicators for a Shared Symbol Display,” Ser. No. 29/253,508; “Gaming System Light Candle and Indicator for a Shared Symbol Display,” Ser. No. 29/253,513; “Gaming System Having a Gaming Machine Display and Spacer Displays for a Shared Symbol Display,” Ser. No. 29/253,560; “Gaming System Indicator for a Shared Symbol Display,” Ser. No. 29/253,511; “Gaming System Light Candle,” Ser. No. 29/253,512; and “Gaming System Light Candle,” Ser. No. 29/253,517.

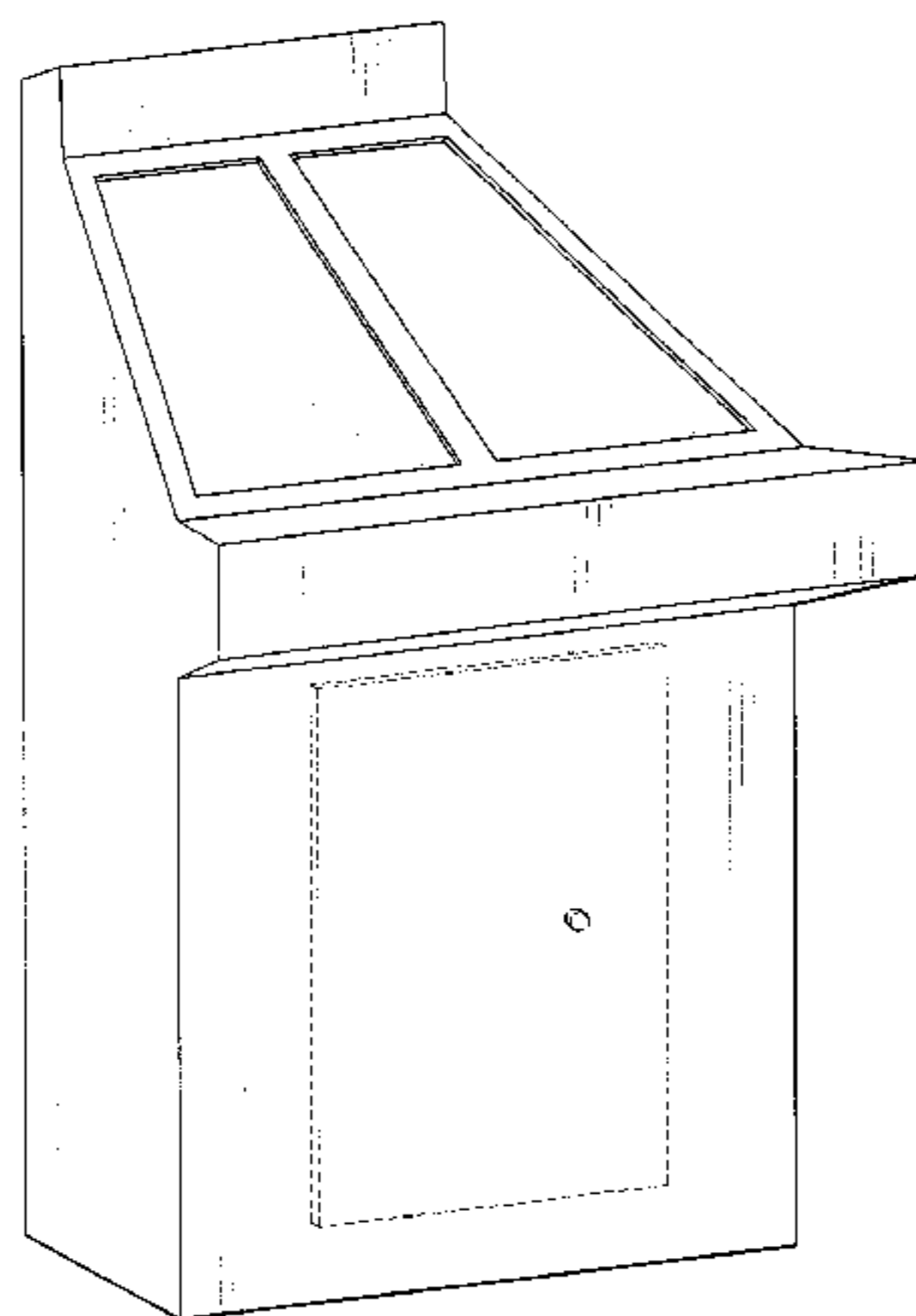
FIG. 1 is a front perspective view of a spacer assembly of the gaming system our new design, that portion shown in phantom is not part of the design sought to be patented and is provided for environmental purposes only.

FIG. 2 is an elevated front view of the spacer assembly of the gaming system of our new design illustrated in FIG. 1, that portion shown in phantom is not part of the design sought to be patented and is provided for environmental purposes only.

FIG. 3 is a top plan view of the spacer assembly of the gaming system of our new design illustrated in FIG. 1, that portion shown in phantom is not part of the design sought to be patented and is provided for environmental purposes only; and,

FIG. 4 is an elevated left side view of the spacer assembly of the gaming system of our new design illustrated in FIG. 1, the right side being a mirror image thereof, that portion shown in phantom is not part of the design sought to be patented and is provided for environmental purposes only.

**1 Claim, 3 Drawing Sheets**



U.S. PATENT DOCUMENTS

4,805,907 A 2/1989 Hagiwara  
 4,837,728 A 6/1989 Barrie et al.  
 4,976,438 A 12/1990 Tashiro et al.  
 5,167,413 A 12/1992 Fulton  
 5,221,083 A 6/1993 Dote  
 D344,296 S 2/1994 McKay et al.  
 5,292,127 A 3/1994 Kelly et al.  
 5,320,351 A 6/1994 Suzuki  
 5,431,492 A 7/1995 Rothschild et al.  
 5,605,506 A 2/1997 Hoorn et al.  
 5,611,730 A 3/1997 Weiss  
 5,622,366 A 4/1997 Inoue  
 5,634,639 A 6/1997 Tokito et al.  
 5,639,089 A 6/1997 Matsumoto et al.  
 D383,171 S 9/1997 Hanscom  
 5,664,998 A 9/1997 Seelig et al.  
 5,755,619 A 5/1998 Matsumoto et al.  
 RE35,819 E 6/1998 Suzuki  
 5,788,573 A 8/1998 Baerlocher et al.  
 5,816,920 A 10/1998 Hanai  
 5,823,874 A 10/1998 Adams  
 5,836,817 A 11/1998 Acres et al.  
 5,848,932 A 12/1998 Adams  
 5,876,284 A 3/1999 Acres et al.  
 5,879,235 A 3/1999 Kaneko et al.  
 5,911,418 A 6/1999 Adams  
 5,924,927 A 7/1999 Matsuura et al.  
 5,976,019 A 11/1999 Ikeda et al.  
 5,984,782 A 11/1999 Inoue  
 D421,068 S 2/2000 Yamaguchi  
 6,019,369 A 2/2000 Nakagawa et al.  
 6,039,649 A 3/2000 Schulze  
 6,082,734 A 7/2000 Uehara et al.  
 6,089,978 A 7/2000 Adams  
 6,105,962 A 8/2000 Malavazos et al.  
 6,162,121 A 12/2000 Morro et al.  
 6,162,122 A 12/2000 Acres et al.  
 6,168,520 B1 1/2001 Baerlocher et al.  
 D439,282 S 3/2001 Yamaguchi  
 6,224,483 B1 5/2001 Mayeroff  
 6,334,814 B1 1/2002 Adams  
 6,336,863 B1 1/2002 Baerlocher et al.  
 6,364,314 B1 4/2002 Canterbury  
 6,364,767 B1 4/2002 Brossard et al.  
 D462,397 S 9/2002 Baker et al.  
 6,464,586 B1 10/2002 Kamata et al.  
 6,607,195 B1 8/2003 Vancura  
 6,629,887 B1 10/2003 Todaiji et al.  
 6,663,488 B1 12/2003 Adams  
 D486,869 S 2/2004 Webb et al.  
 D487,582 S 3/2004 McGahn et al.  
 6,705,944 B1 3/2004 Luciano  
 6,715,756 B1 4/2004 Inoue  
 6,848,991 B1 2/2005 Kusuda  
 2001/0003709 A1 6/2001 Adams  
 2001/0018361 A1 8/2001 Acres  
 2002/0052234 A1 5/2002 Adams  
 2002/0142826 A1 10/2002 Adams  
 2002/0142830 A1 10/2002 Adams  
 2002/0198038 A1 12/2002 Adams  
 2003/0013520 A1 1/2003 Adams  
 2003/0040355 A1 2/2003 Baerlocher  
 2003/0087689 A1 5/2003 Adams  
 2003/0100361 A1 5/2003 Sharpless et al.  
 2003/0114216 A1 6/2003 Adams  
 2003/0157979 A1 8/2003 Cannon et al.  
 2003/0199316 A1 10/2003 Miyamoto et al.  
 2004/0002372 A1 1/2004 Rodgers et al.  
 2004/0009807 A1 1/2004 Miller et al.  
 2004/0038728 A1 2/2004 Adams  
 2004/0038734 A1 2/2004 Adams  
 2004/0048645 A1 3/2004 Webb et al.  
 2004/0051240 A1 3/2004 Adams  
 2004/0053660 A1 3/2004 Webb et al.

2004/0053665 A1 3/2004 Baerlocher  
 2004/0082378 A1 4/2004 Peterson et al.  
 2004/0102237 A1 5/2004 Baerlocher  
 2004/0121838 A1 6/2004 Hughs-Baird et al.  
 2004/0147306 A1 7/2004 Randall et al.  
 2004/0162128 A1 8/2004 Baerlocher et al.  
 2005/0153780 A1 7/2005 Gauselmann

FOREIGN PATENT DOCUMENTS

GB 2 098 776 3/1982  
 GB 2 322 217 12/1997  
 GB 2 201 821 9/1998

OTHER PUBLICATIONS

The \$1,000,000 Pyramid Video Slots Game advertisement, published by IGT in 2003.  
 2<sup>nd</sup> Chance 7s article, published by Strictly Slots in Nov., 2000.  
 Alice in Cardland advertisement, published by Eolith prior to Sep. 30, 2004.  
 American Bandstand advertisement, published by IGT in 2001.  
 Astra article published in Coinslot Industry in Jan., 2003.  
 Atronic Merchandising advertisement, written by Atronic, published in 2004.  
 Austin Powers in Goldmember article, published by Strictly Slots in Mar., 2004.  
 Austin Powers in Goldmember Video Slots Game advertisement, published by IGT in 2001.  
 Bad Boys Jackpot advertisement, published by R. Franco in 2004.  
 Bands of Gold advertisement, written by Euro Games, published prior to Sep. 30, 2004.  
 Barnyard Game advertisement, published by Aristocrat prior to Sep. 30, 2004.  
 The Beverly Hills Video Slots advertisement, published by IGT in 2003.  
 Big Monte Game advertisement, published by Bally Gaming in 2003.  
 Blazing Sevens Wheel of Gold advertisement, published prior to Sep. 30, 2004.  
 Bonus Road Rally Game advertisement, published by A. C. Coin & Slot Service Company in 1997.  
 Bonus Roulette advertisement, written by R. Franco, published prior to Sep. 30, 2004.  
 Buck's Roulette advertisement, written by R. Franco, published prior to Sep. 30, 2004.  
 Captain Scarlet advertisement, written by ACE Coin Equipment, published in 2004.  
 Carousel advertisement, written by Empire Games Limited, published prior to Sep. 30, 2004.  
 Cartoon Jackpots advertisement, written by Bally Gaming Systems in 2004.  
 Cash Bazaar advertisement, published by Bell-Fruit Games in 2003.  
 Cash for Life and Sale of the Century articles, published by Strictly Slots in Jun. 2003.  
 Cash for Life Triple Spin Bonus article, published in Strictly Slots in Feb. 2003.  
 Cash Wheel advertisement, published by Bell-Fruit Games prior to Sep. 30, 2004.  
 Cash Wheel advertisement, published by Maygay in Feb., 2002.  
 Casino Beaver Las Vegas! published by Global Games, date unknown.  
 Circus advertisement, written by R. Franco, published prior to Sep. 30, 2004.

- Classic Pot of Gold advertisement, written by ACE Coin Equipment, published prior to Sep., 2003.
- Club Dungeons & Drag Queens Game advertisement, published by Global Games prior to Sep. 30, 2004.
- Clue Most Wanted Games advertisement, published by Mikohn in 2003.
- Cyclone advertisement, written by Innovative Concepts in Entertainment, published prior to Sep. 30, 2004.
- Cyclone Jackpots written by Sigma Game, published Jan. 2001.
- Dance To It! Article, published by Strictly Slots in Jan. 2002.
- Daytona Gold advertisement, written by JPM, published prior to Sep. 30, 2004.
- Derby Champion advertisement, written by Chang Myung Co., Ltd., published prior to Sep. 30, 2004.
- Diamond Zone advertisement, written by Project, published prior to Sep. 30, 2004.
- Dice Roulette advertisement, published by General Automatic Amusement, published prior to Sep. 30, 2004.
- Dice Shaker advertisement, written by Elaut, published prior to Sep. 30, 2004.
- Doctor Dosh advertisement, published by Bell-Fruit Games, published prior to Sep. 30, 2004.
- Double Spin Slotto advertisement, written by AC Coin & Slot, published in 2004.
- Dream Catcher Treasure Wheel, written by Sigma Game, published Jan., 2001.
- Dungeons and Drag Queens Game advertisement, published by Global Games prior to Sep. 30, 2004.
- Elvira advertisement, published in IGT in 2003.
- Elvira Game advertisement, published by IGT in 2002.
- Elvira Mistress of the Dark advertisement, published by IGT prior to Jun. 30, 2004.
- Elvis advertisement, published by IGT in 1999.
- Flash! Advertisement, published by Cyberdyne Gaming prior to Sep. 30, 2004.
- Frank Sinatra Gaming advertisement, published by IGT in Sep. 30, 2004.
- Fruitsusir game advertisement, written by Red Gaming, published prior to Sep. 30, 2004.
- Games and Technology article and photograph, published by International Gaming and Wagering Business in Jan. 2003.
- The Game of Life advertisement, published by Sigma prior to Sep. 30, 2004.
- The Game of Life Video Slot Game advertisement, published by Sigma, 2004.
- Games Station advertisement, written by Atronic International, published Feb., 2003.
- Game Time International Gaming advertisements, published in Aug., 2004.
- Golden Dice advertisement, written by Cadillac Jack, published in 2004.
- Golden Dragon Game Description, published by Barcrest Games prior to Sep. 30, 2004.
- Golden Roulette advertisement, written by Cadillac Jack, published in 2004.
- Holy Smoke! Advertisement, written by Impuse Gaming, published prior to Sep. 30, 2004.
- Hollywood Squares Prize Spin advertisement, written by WMS Gaming Inc., published in 2004.
- Hollywood Squares Tour of Stars article, published by Compton Dancer Consulting, Inc. in Oct. 2003.
- Hybrid Combining the Best of Both Slot Worlds! Advertisement, written by Bally Gaming Systems, published in 2004.
- Hypnotic Advertisement and Game Description, published by Barcrest Games prior to Sep. 30, 2004.
- IGT World of Games MegaJackpots Video Slots advertisement, written by IGT, published in 2004.
- IGT World of Games Class II and Central Determination Games written by IGT, published in 2004.
- Jackpot Carnival advertisement, published by The Gaming Entertainers Magazine 2003, in 2003.
- Let Freedom Ring advertisement, written by Rocket Gaming Systems, published in 2004.
- Life's Little Games article, published by Strictly Slots in Jun. 2002.
- Lucky Belle Game advertisement, published by Amatic Industries prior to Sep. 30, 2004.
- Lucky Wheel advertisement written by Carat Gaming Technology, published prior to Sep. 30, 2004.
- Lucky Wheel Game advertisement, published by Strictly Slots in Mar. 2004.
- M\*A\*S\*H Video Slots Game advertisement, published by IGT in 2003.
- Magic Roulette De Luxe advertisement by IAMC, published by IAMC in 2004.
- Mayan Wheel of Gold article, published by Strictly Slots prior to Sep. 30, 2004.
- Money Bags Game advertisement, published by Acres Gaming prior to Sep. 30, 2004.
- Monte Carlo advertisement, written by Bally Gaming Systems, published in 2004.
- Monte Carlo advertisement, published by Bally Gaming Systems prior to Sep. 30, 2004.
- Monte Carlo advertisement, published by Bally Gaming Systems prior to Sep. 30, 2004.
- Monte Carlo Game advertisement, published by Bally Gaming Systems in 2003.
- Life Article, published by Strictly Slots in Jun. 2002.
- On the Money article, published by Strictly Slots in Dec. 2000.
- Party Games advertisement, published by Astra in 2003.
- Party Time Bingo Advertisement published by Astra Games Limited, date unknown.
- Pick a Prize advertisement, published by Acres Gaming Incorporated prior to Sep. 30, 2004.
- Quarter Millions advertisement, written by Bally Gaming, Inc., published in 2003.
- Quarter Millions advertisement, written by Bally Gaming, Inc., published in 2004.
- Quarter Millions article, published by Strictly Slots in Apr. 2004.
- R&B Game advertisement, published by A. C. Coin & Slot prior to Sep. 30, 2004.
- Rapid Roulette Game advertisement, published by John Huxley in 2003.
- Rapid Roulette Product Overview Game advertisement, published by John Huxley in 2002.
- Reel Slots advertisement, published by Sigma prior to Sep. 30, 2004.
- Ring-a-Bell Game advertisement, published by JPM prior to Sep. 30, 2004.
- Ring of Fire Game advertisement, published by Amatic Industries prior to Sep. 30, 2004.
- Roulette advertisement, published by Atronic in 1999.
- Roulette Grand Jeu advertisement, published by Amatic Industries prior to Sep. 30, 2002.
- Roulette Grand Jeu Game description and advertisement, published by Amatic Industries prior to Sep. 30, 2004.
- Roulette Prestige advertisement, written by IAMC, published in 2004.
- Round and Round advertisement, written by R. Franco, published prior to Sep. 30, 2004.

- Royal Roulette advertisement, written by Impulse Gaming, published prior to Sep. 30, 2004.
- Run for Your Money Game advertisement, published by IGT prior to Sep. 30, 2004.
- Run for Your Money Game advertisement, published by IGT in 1998.
- S2000 Slotto advertisement, written by AC Coin & Slot, published in 2004.
- SCX Stepper advertisement, written by Aristocrat, published in 2004.
- Seeben Gaming Machine advertisement, published in Oct., 2004.
- Shaking Dice advertisement, published by General Automatic Amusement prior to Sep. 30, 2004.
- Show News IGT Jan. 2003 advertisements, published by IGT, 2003.
- Showtime advertisement, written by Red Gaming, published prior to Sep. 30, 2004.
- Sinatra Video Slot advertisement, published by IGT in 2003.
- Spin-A-Lot advertisement, published by Acres Gaming prior to Sep. 30, 2004.
- Spintastic! article, published by Casino Data Systems prior to Sep. 30, 2004.
- Super Reel advertisement, published by Electrocoin Gaming prior to Sep. 30, 2004.
- Texas Tea game description, published by IGT in 2000.
- Texas Tea Game advertisement website page [http://www.igt.com/games/new\\_games/texastea.html](http://www.igt.com/games/new_games/texastea.html), printed on Mar. 21, 2001.
- Texas Tea Game advertisement, published by IGT prior to Sep. 30, 2004.
- Top Secret 2 advertisement, written by Unidesa Gaming, published in 2004.
- Treasure Wheel Double Jackpot, published by Sigma prior to Sep. 30, 2004.
- Trebel Chance advertisement, published by Astra in Jan. 2003.
- Tutankamon advertisement, written by R. Franco, published in 2004.
- Twinkle Dome advertisement, written by Manjyudo Co, published prior to Sep. 30, 2004.
- Victory advertisement, written by Elaut, published prior to Sep. 30, 2004.
- Victory Game advertisement, published by General Automatic Amusement prior to Sep. 30, 2004.
- Wheel and Deal article, published by Strictly Slots in Dec. 2001.
- Wheel of Adventure, published by John Huxley prior to Sep. 30, 2004.
- Wheel of Fortune Game advertisement, published by General Automatic Amusement prior to Sep. 30, 2004.
- Wheel of Fortune Advertisement published by General Automatic Amusement, date unknown.
- Wheel of Fortune Game advertisement, published by IGT in 1999.
- Wheel of Fortune Game advertisement, published by IGT in 1998.
- Wheel of Fortune Slots S2000 Series Advertisement, published by IGT in 2002.
- Wheel of Fortune Game Show web page <http://www.wheeloffortune.com/bios.pjw?cat=events>, printed on Dec. 15, 2004.
- Wheel of Fortune Lucky Spin advertisement, published by IGT, published prior to Sep. 30, 2004.
- Wheel of Fortune Special Edition advertisement, written by IGT, published in 2004.
- Wheel of Fortune Special Edition Classic Spin Video Slots, written by IGT, published before Sep. 30, 2004.
- Wheel of Fortune Triple Action article, published in Strictly Slots in Feb. 2004.
- Wheel of Fortune Video advertisement, published by IGT in 1999.
- Wheel of Fortune Video Slots advertisement, published by IGT in 2002.
- Wheel of Fortune Video Slots advertisement, published by IGT prior to Sep. 30, 2004.
- Wheel of Gold advertisement, published by Anchor in 1995.
- Wheel Spins Bonus (Video Wheel of Fortune) article written by IGT, published before Sep. 30, 2004.
- Wild Race advertisement, written by Unidesa Gaming & Systems, published in 2004.
- Winning Ways advertisement, published by Vivid prior to Sep. 30, 2004.
- Xtreme Gear advertisement, written by R. Franco, published prior to Sep. 30, 2004.
- ZeroLabs advertisement, written by ZeroLabs, published in 2004.
- Zorro advertisement, written by Aristocrat, published in 2004.

FIG. 1

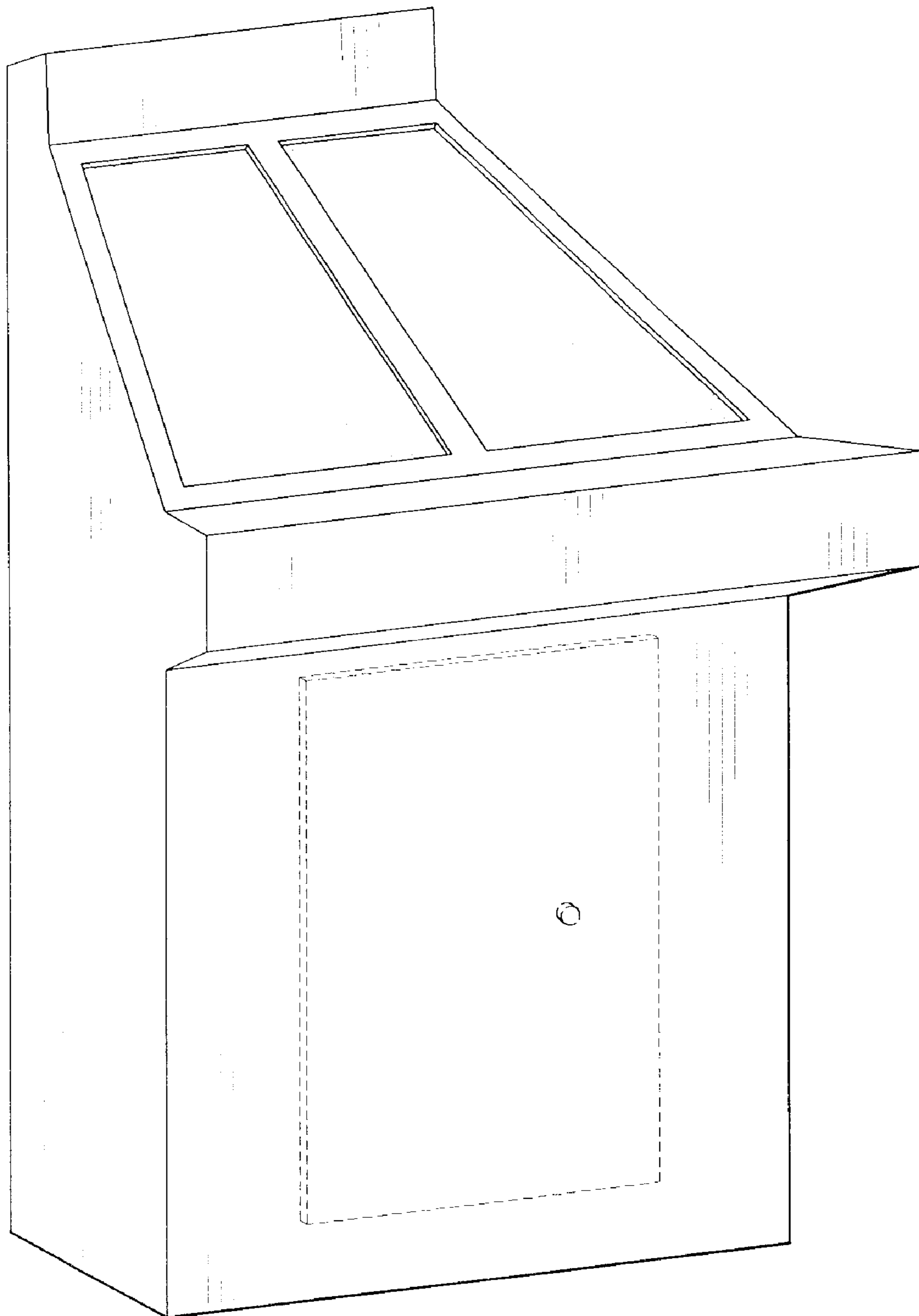


FIG. 2

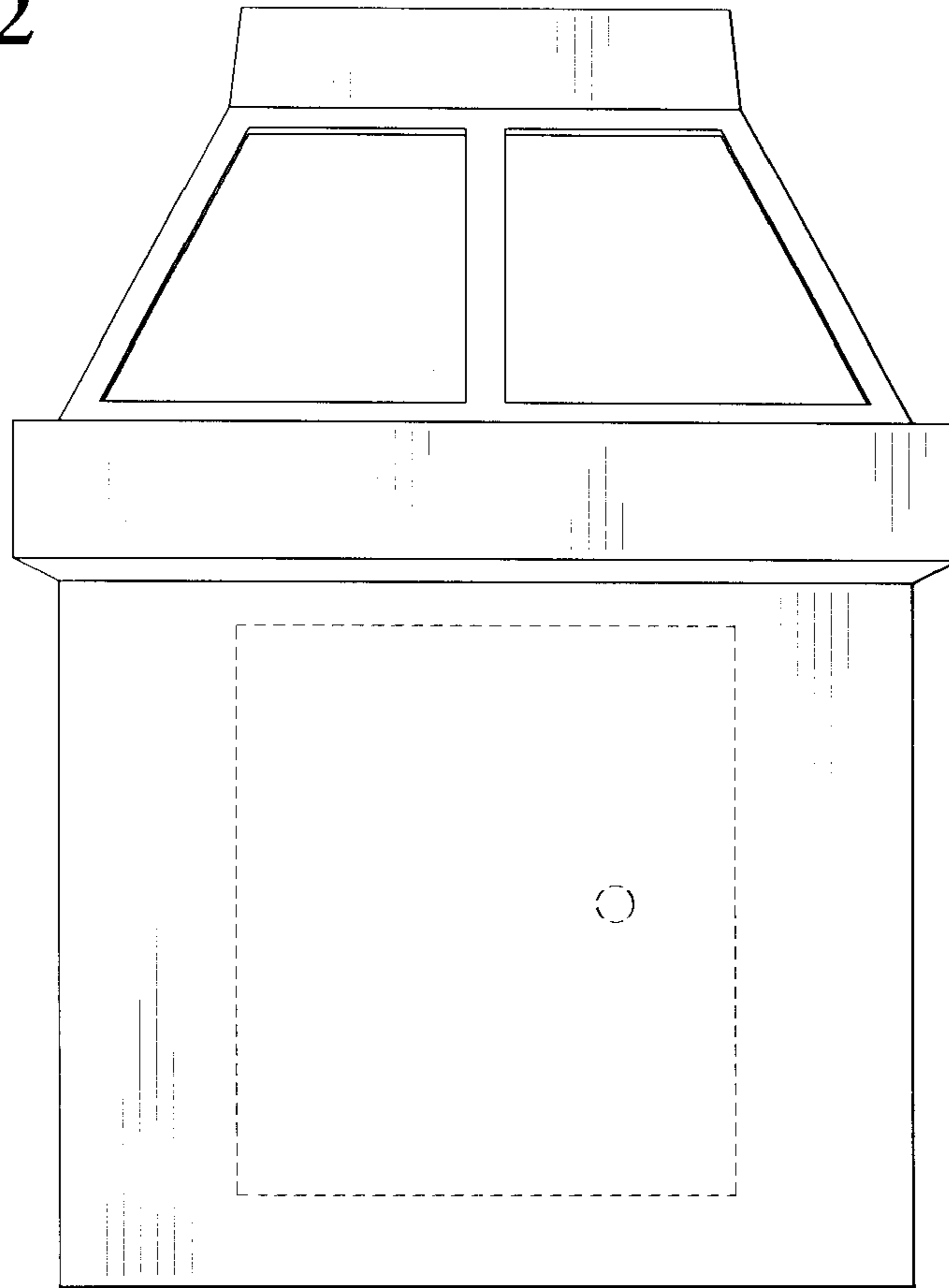


FIG. 3

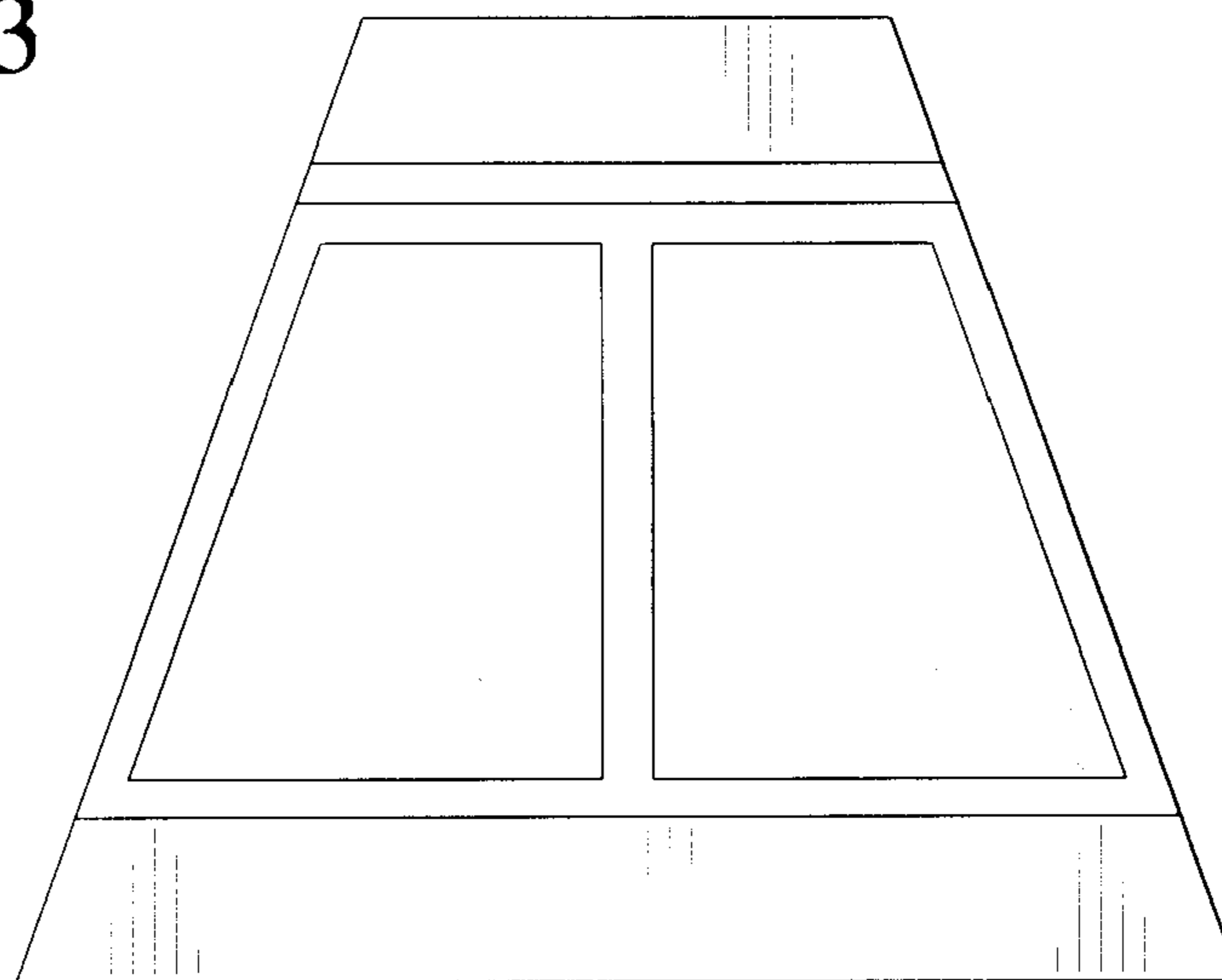


FIG. 4

