



US00D529094S

(12) **United States Design Patent**  
**Weng**

(10) **Patent No.:** **US D529,094 S**

(45) **Date of Patent:** **\*\* Sep. 26, 2006**

(54) **HOLE PUNCH**

2005/0039590 A1 \* 2/2005 Weng ..... 83/684

(76) Inventor: **Yang-Ming Weng**, No. 84,  
Guang-Ming Rd., Set 2, Wa-Yau  
Village, Buu Yan Hsing, Chang Hua  
Hsien (TW)

\* cited by examiner

*Primary Examiner*—Elizabeth A. Albert  
(74) *Attorney, Agent, or Firm*—Charles E. Baxley

(\*\*) Term: **14 Years**

(57) **CLAIM**

The ornamental design for a hole punch, as shown and described.

(21) Appl. No.: **29/230,622**

(22) Filed: **May 23, 2005**

**DESCRIPTION**

(51) **LOC (8) Cl.** ..... **19-02**

(52) **U.S. Cl.** ..... **D19/72**

(58) **Field of Classification Search** ..... D8/49,  
D8/98; D19/72, 73; 30/229, 358, 363; 83/467.1,  
83/588, 620, 633, 684, 691, 698.91; 227/134  
See application file for complete search history.

FIG. 1 is a perspective view of a paper cutter showing my new design;

FIG. 2 is a front elevational view thereof;

FIG. 3 is a rear elevational view thereof,

FIG. 4 is a left side elevational view thereof,

FIG. 5 is a right side elevational view thereof,

FIG. 6 is a top plan view thereof; and,

FIG. 7 is a bottom plan view thereof.

The broken lines showing environment in the drawings are for information purposes only and form no part of the claimed design.

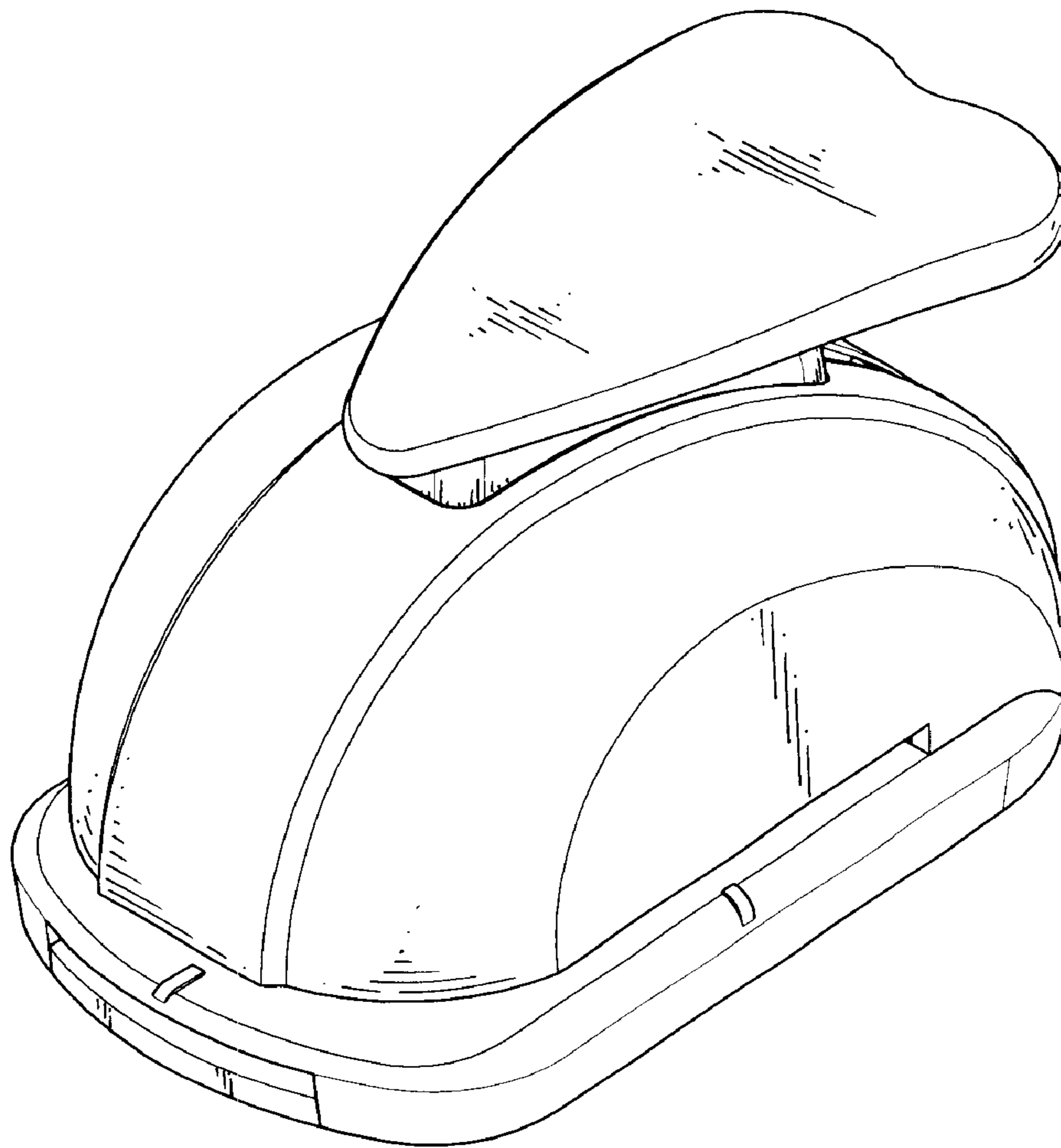
(56) **References Cited**

**U.S. PATENT DOCUMENTS**

D482,584 S \* 11/2003 Racamier ..... D8/50

D499,449 S \* 12/2004 Chan ..... D19/72

**1 Claim, 7 Drawing Sheets**



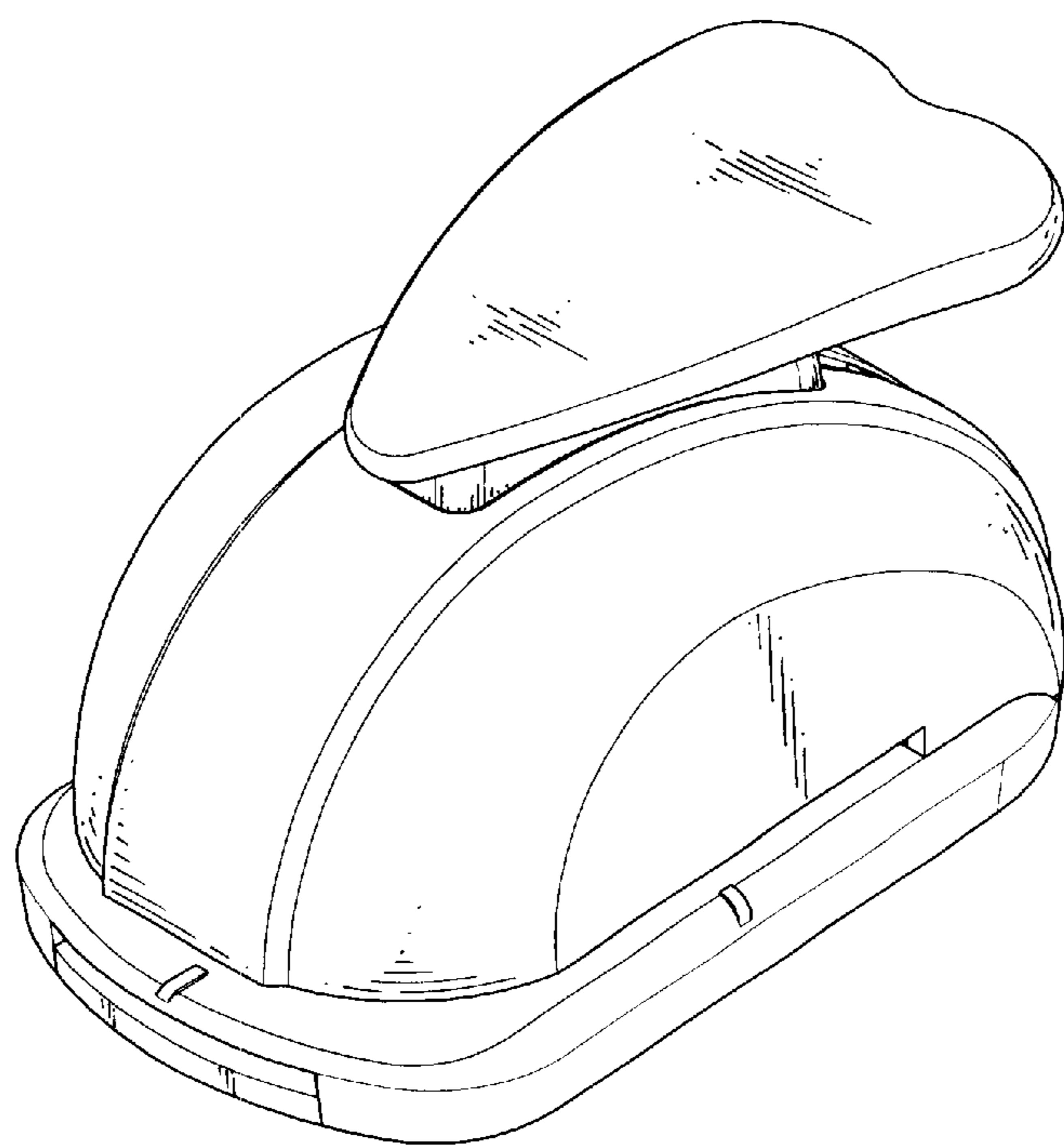


FIG. 1

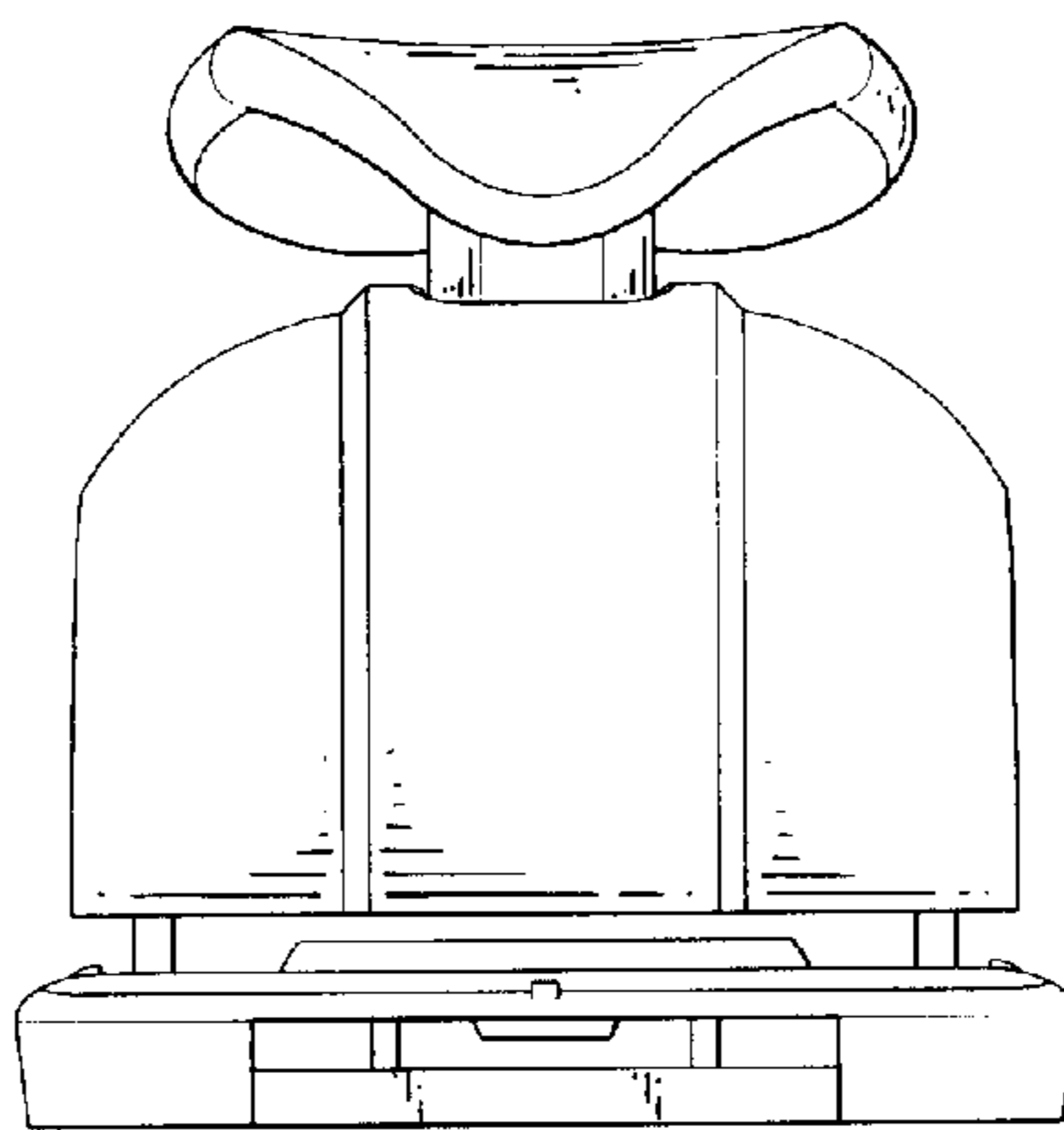


FIG. 2

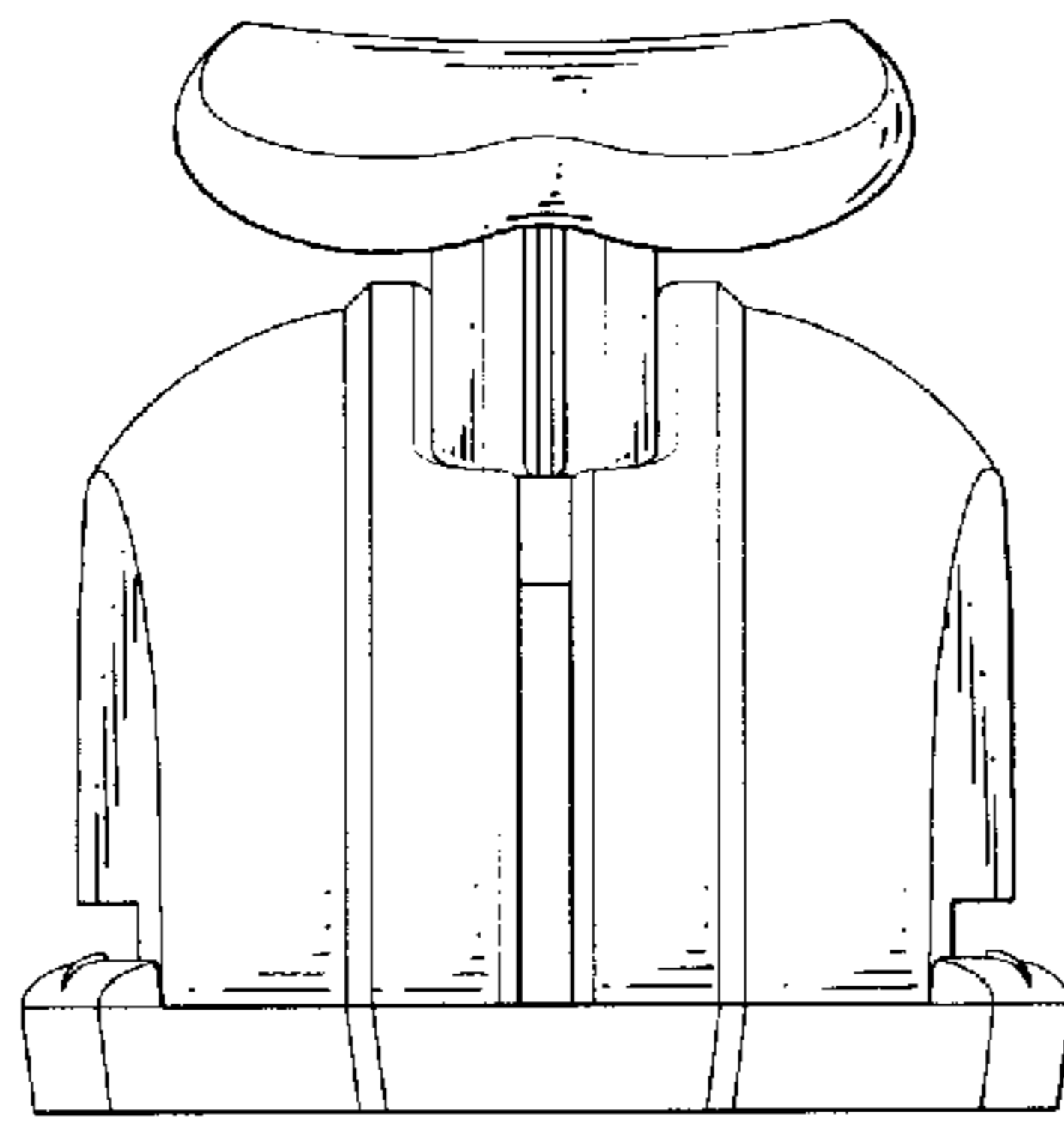


FIG. 3

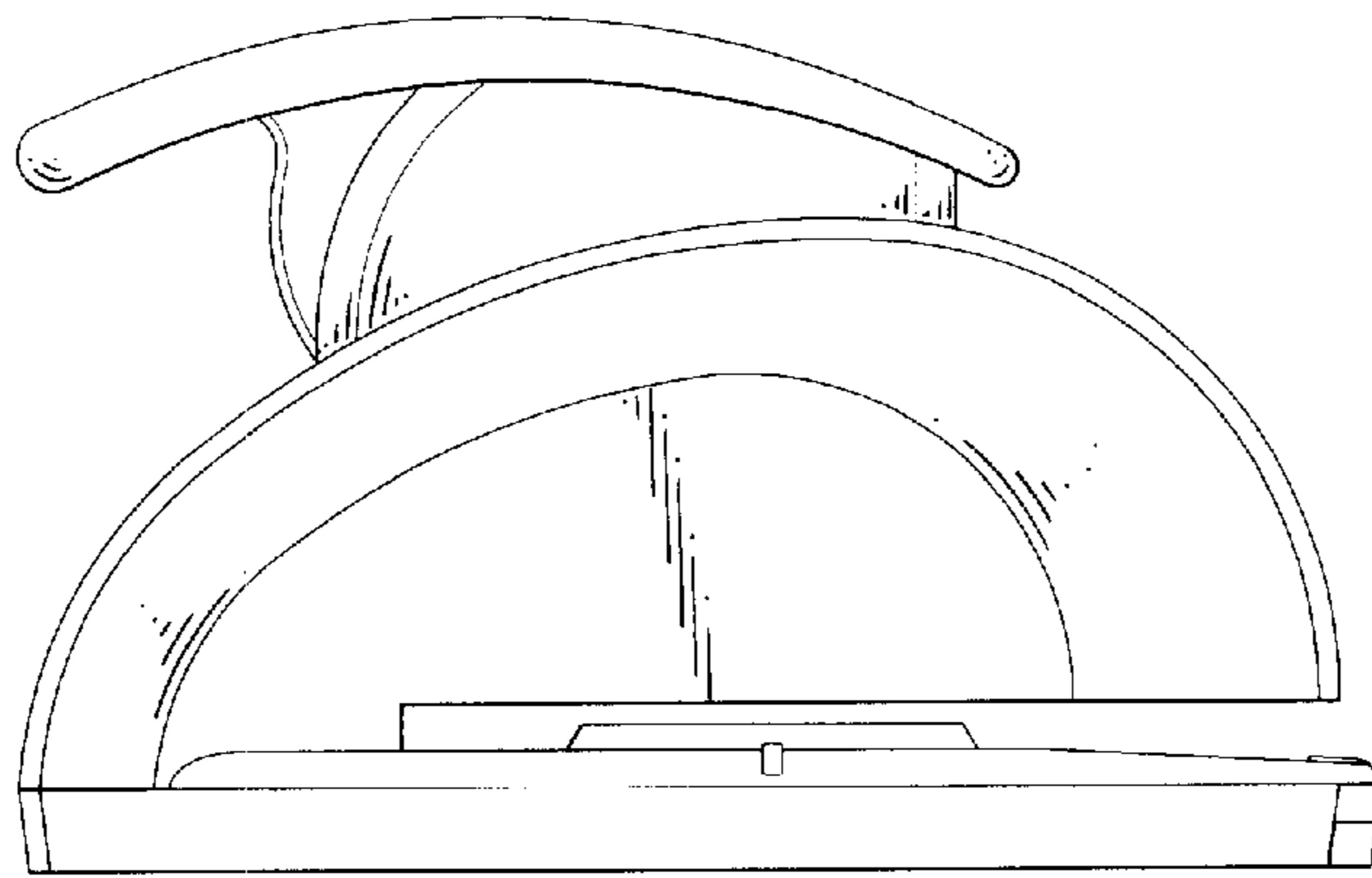


FIG. 4

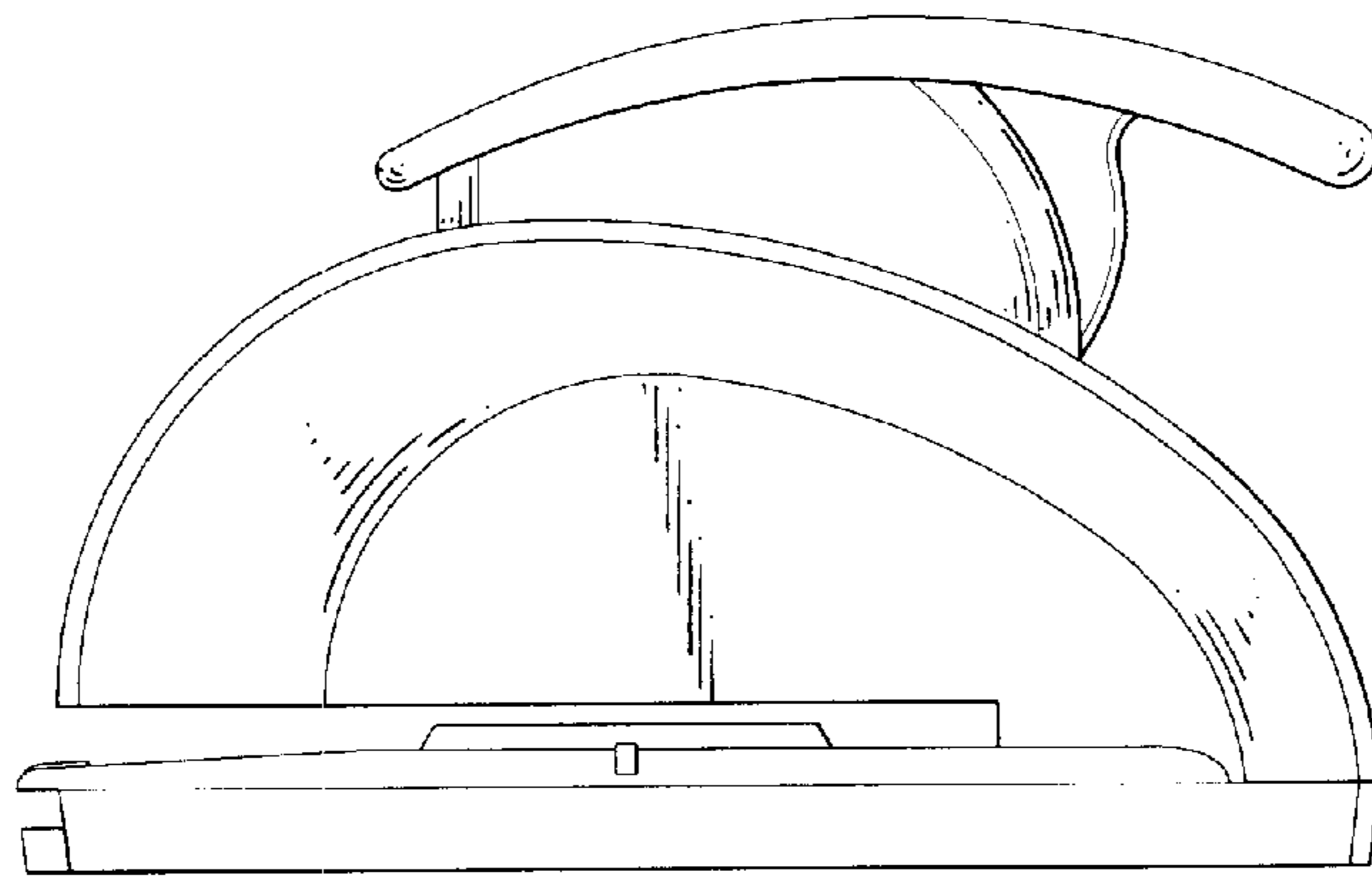


FIG. 5

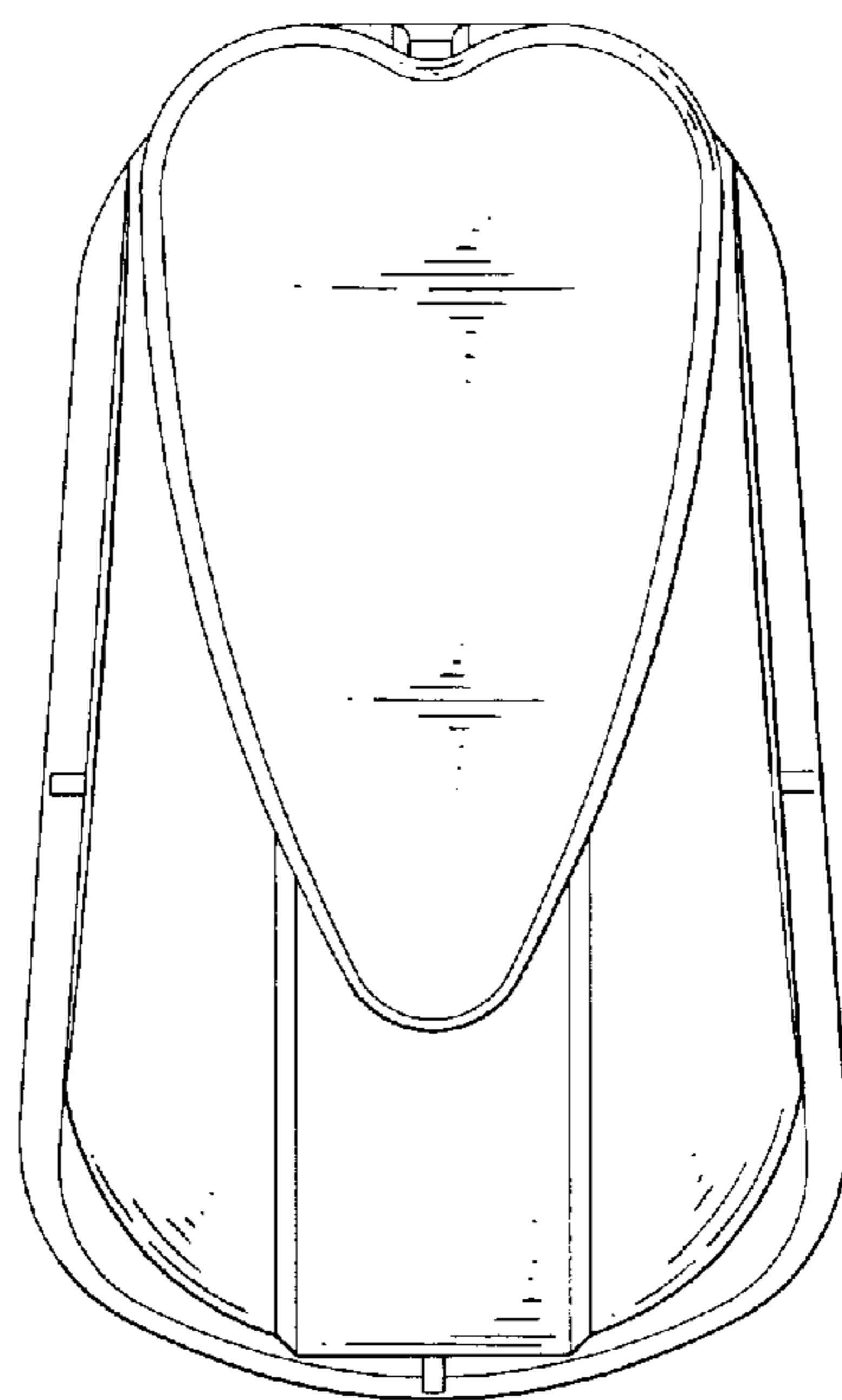


FIG. 6

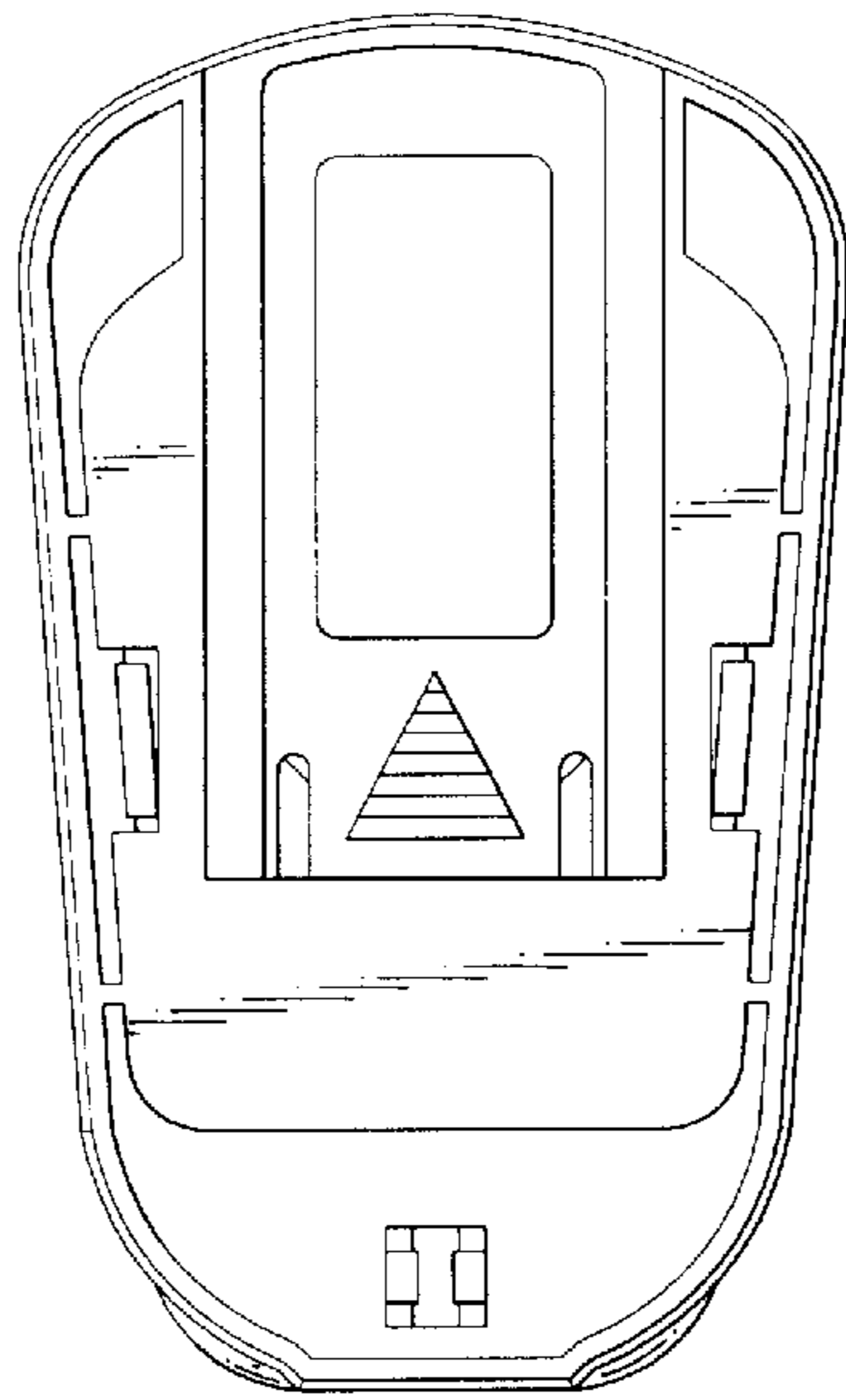


FIG. 7