



US00D529089S

(12) **United States Design Patent**
Bhavnani

(10) **Patent No.:** **US D529,089 S**

(45) **Date of Patent:** **** Sep. 26, 2006**

(54) **CALCULATING PEN**

(75) Inventor: **Dilip Bhavnani**, Beverly Hills, CA
(US)

(73) Assignee: **Sun Coast Merchandise Corporation**,
Commerce, CA (US)

(**) Term: **14 Years**

(21) Appl. No.: **29/223,202**

(22) Filed: **Feb. 9, 2005**

(51) **LOC (8) Cl.** **19-06**

(52) **U.S. Cl.** **D19/36**

(58) **Field of Classification Search** D19/36,
D19/37, 41-51, 54-57; 24/11 R, 11 F, 11 P;
401/52, 99, 100, 104, 105, 106, 107, 108,
401/109, 192, 195

See application file for complete search history.

(56) **References Cited**

U.S. PATENT DOCUMENTS

1,402,164 A * 1/1922 Houser 401/29
1,601,458 A * 9/1926 Strickland 206/349

D153,679 S * 5/1949 Gruber D19/51
D471,931 S * 3/2003 Lecce D19/51
D495,003 S * 8/2004 Cetera D19/51
D501,509 S * 2/2005 Lecce D19/51
D519,563 S * 4/2006 Pellissa Beneyto D19/51

* cited by examiner

Primary Examiner—Elizabeth A. Albert

(74) *Attorney, Agent, or Firm*—The Soni Law Firm

(57) **CLAIM**

The ornamental design for a calculating pen, as shown and described.

DESCRIPTION

FIG. 1 is a bottom front perspective view of a calculating pen;

FIG. 2 is a right side elevation view of the calculating pen of FIG. 1;

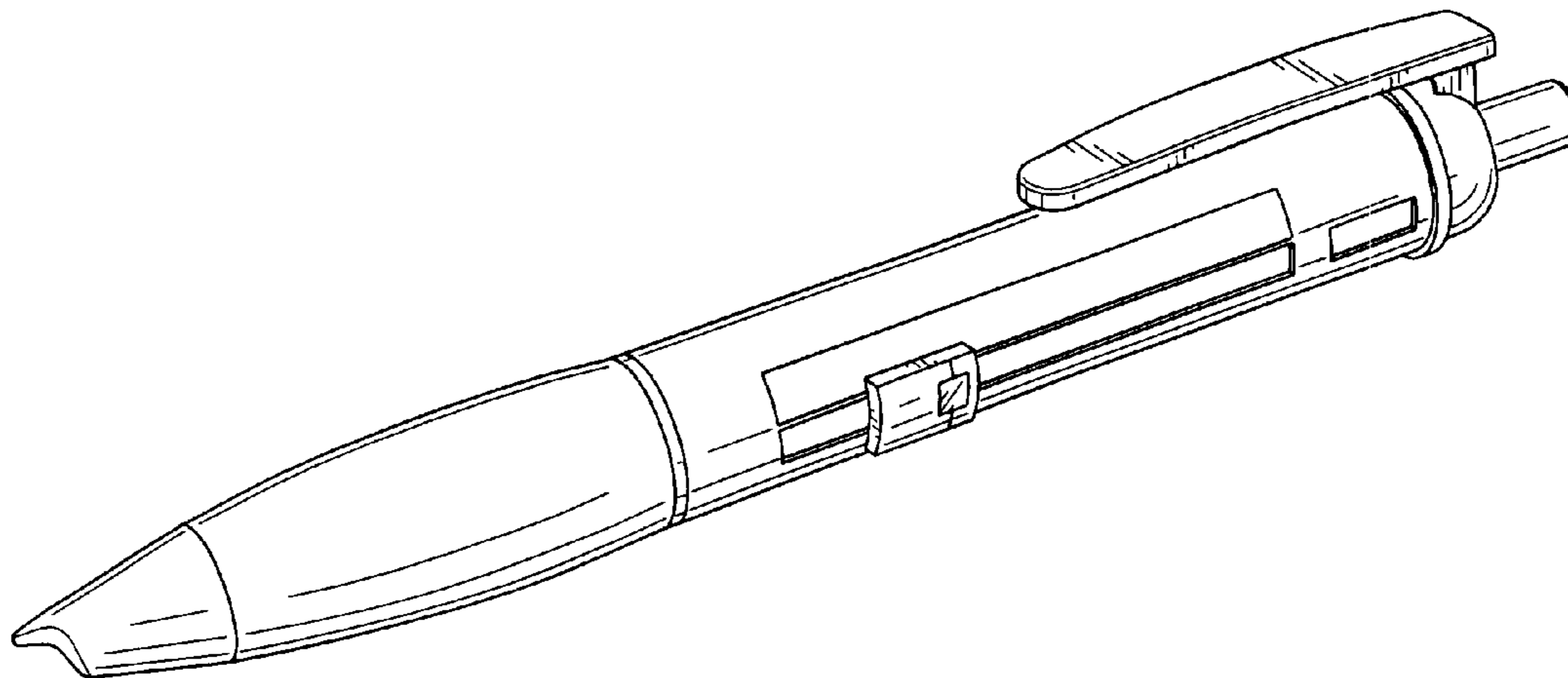
FIG. 3 is a front view of the calculating pen of FIG. 1;

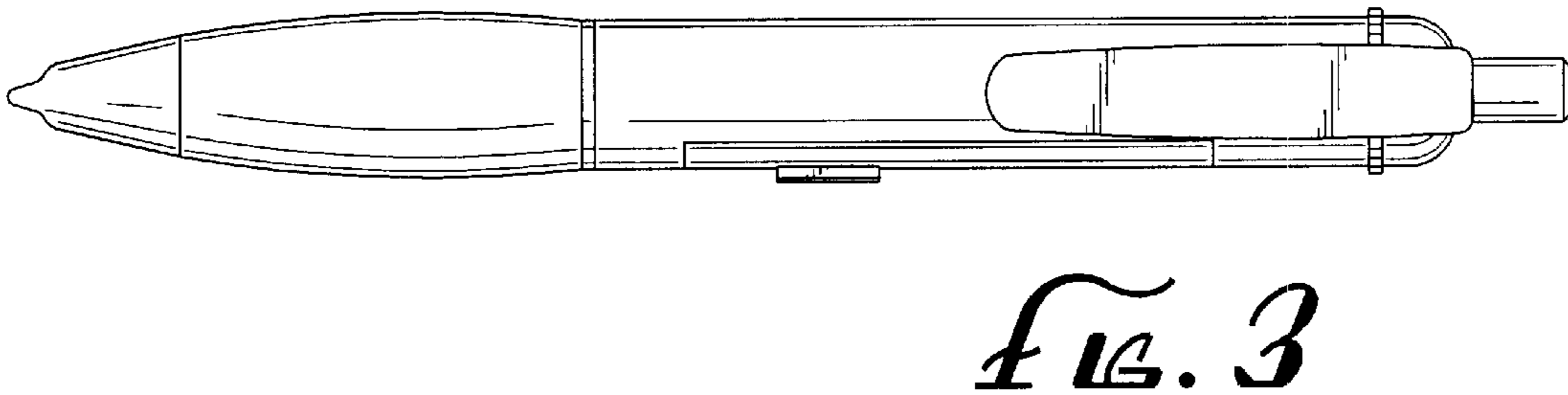
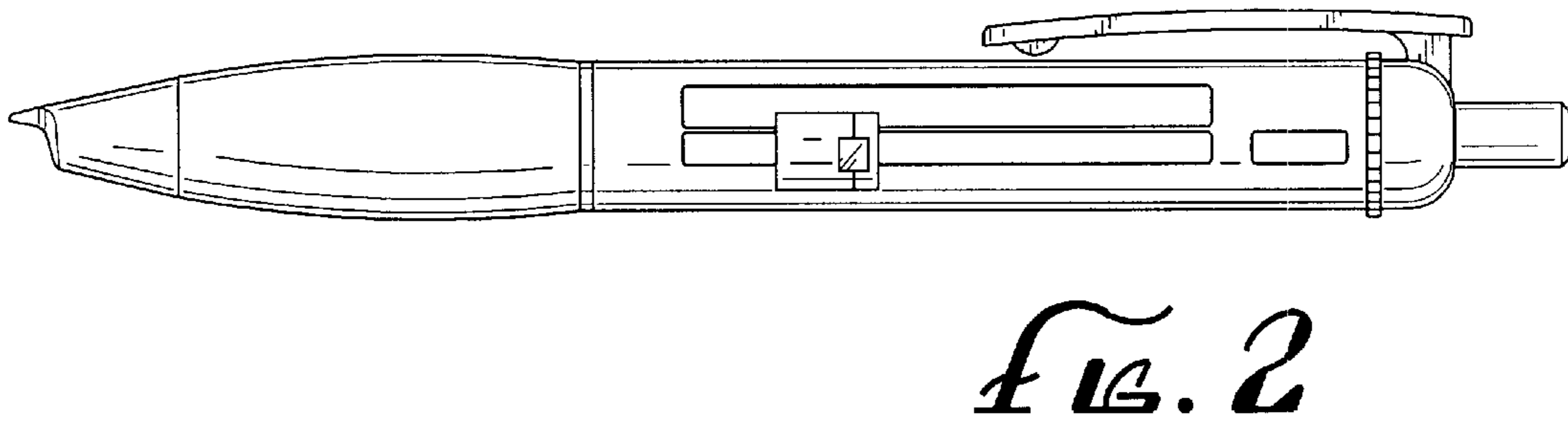
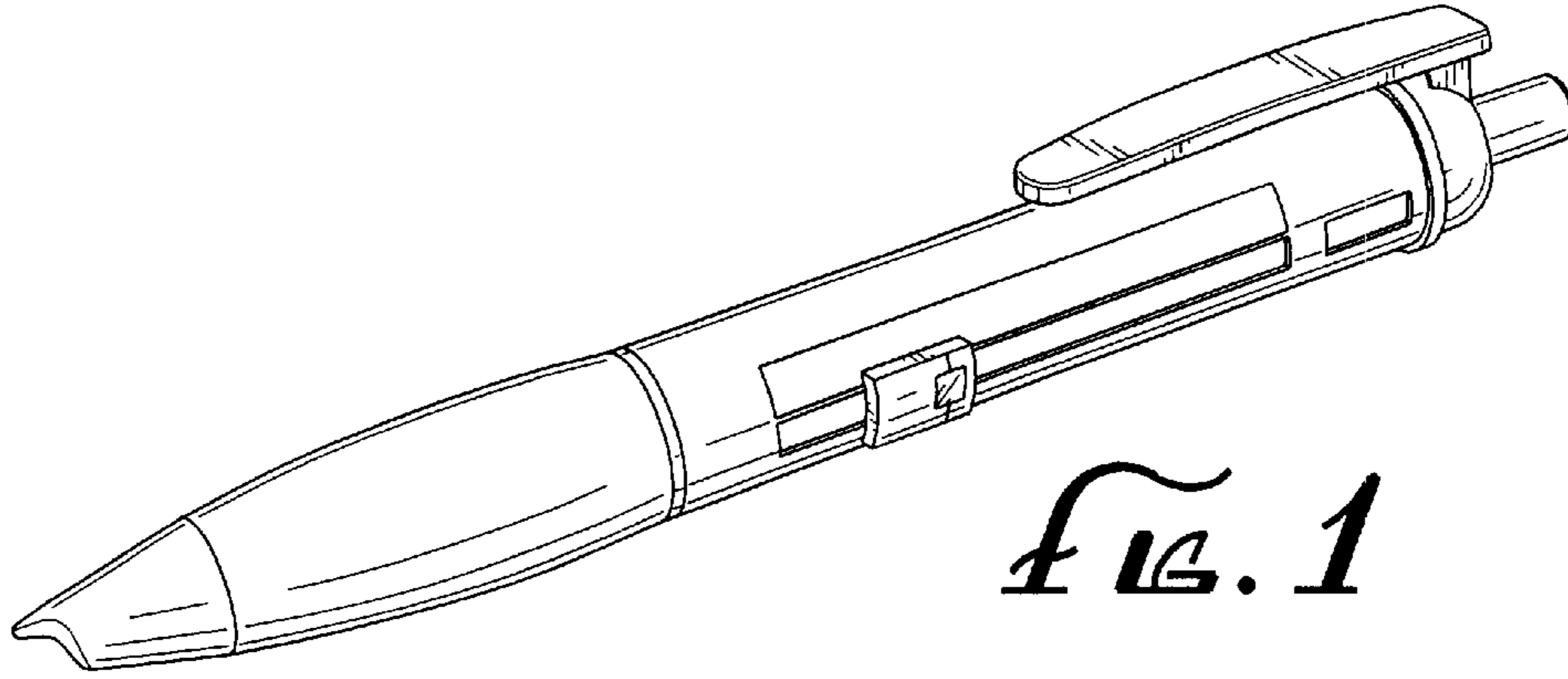
FIG. 4 is a back view of the calculating pen of FIG. 1;

FIG. 5 is a bottom plan view of the calculating pen of FIG. 1; and,

FIG. 6 is a top plan view of the calculating pen of FIG. 1.

1 Claim, 2 Drawing Sheets





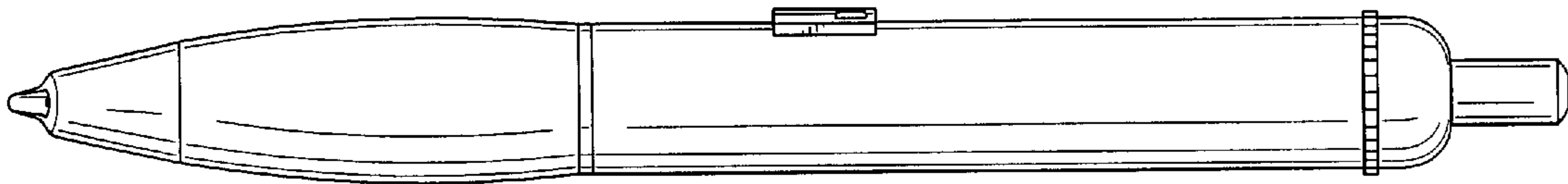


FIG. 4

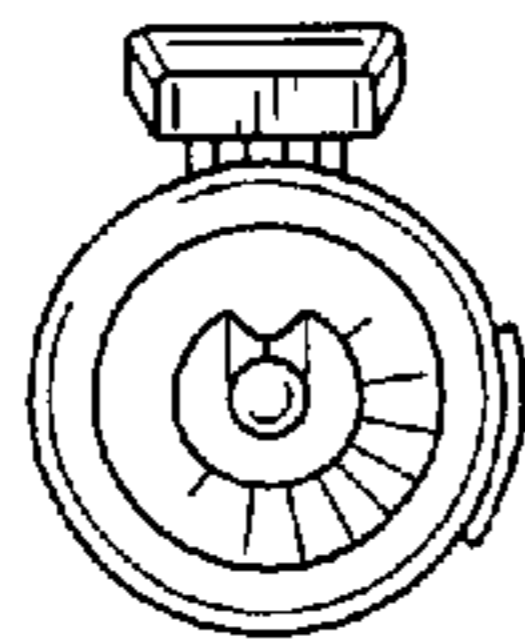


FIG. 5

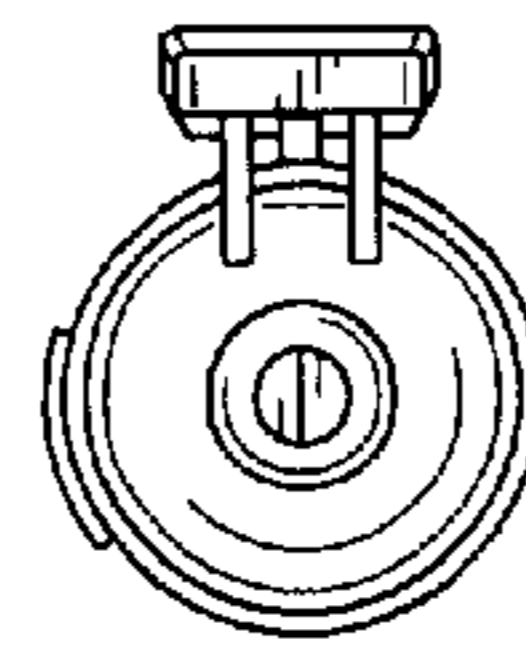


FIG. 6