



US00D529084S

(12) **United States Design Patent**
Myers et al.

(10) **Patent No.:** **US D529,084 S**

(45) **Date of Patent:** **** Sep. 26, 2006**

(54) **INKJET CARTRIDGE**

(75) Inventors: **John A Myers**, Corvallis, OR (US);
Patrick V. Boyd, Albany, OR (US)

(73) Assignee: **Hewlett-Packard Development Company, L.P.**, Houston, TX (US)

(**) Term: **14 Years**

(21) Appl. No.: **29/209,042**

(22) Filed: **Jul. 9, 2004**

(51) **LOC (8) Cl.** **18-02**

(52) **U.S. Cl.** **D18/56**

(58) **Field of Classification Search** D18/12,
D18/43, 56, 99; 347/29, 32-33, 43, 86-88,
347/99

See application file for complete search history.

(56) **References Cited**

U.S. PATENT DOCUMENTS

D353,156 S	*	12/1994	Kaplinsky et al.	D18/56
D430,603 S	*	9/2000	Maeda et al.	D18/56
D439,609 S	*	3/2001	Shinada et al.	D18/56
D439,925 S	*	4/2001	Santhanam et al.	D18/56
D440,600 S	*	4/2001	Seino et al.	D18/56
D442,219 S	*	5/2001	Chou et al.	D18/56
6,227,663 B1	*	5/2001	Santhanam et al.	347/87
D457,184 S	*	5/2002	Boyd et al.	D18/56
6,454,387 B1	*	9/2002	Haldorsen	347/29

D466,928 S * 12/2002 Boyd et al. D18/56
D481,756 S * 11/2003 Shinada et al. D18/56

* cited by examiner

Primary Examiner—Louis S. Zarfes

Assistant Examiner—Anhdao Doan

(57) **CLAIM**

The ornamental design for an inkjet cartridge, as shown and described.

DESCRIPTION

FIG. 1 is a lower, front perspective view of the inkjet cartridge in accordance with our invention;

FIG. 2 is an upper, front perspective view thereof;

FIG. 3 is a lower, rear perspective view thereof;

FIG. 4 is a top plan view thereof;

FIG. 5 is a front elevation view thereof;

FIG. 6 is a left side elevation view thereof, the right side being a mirror image;

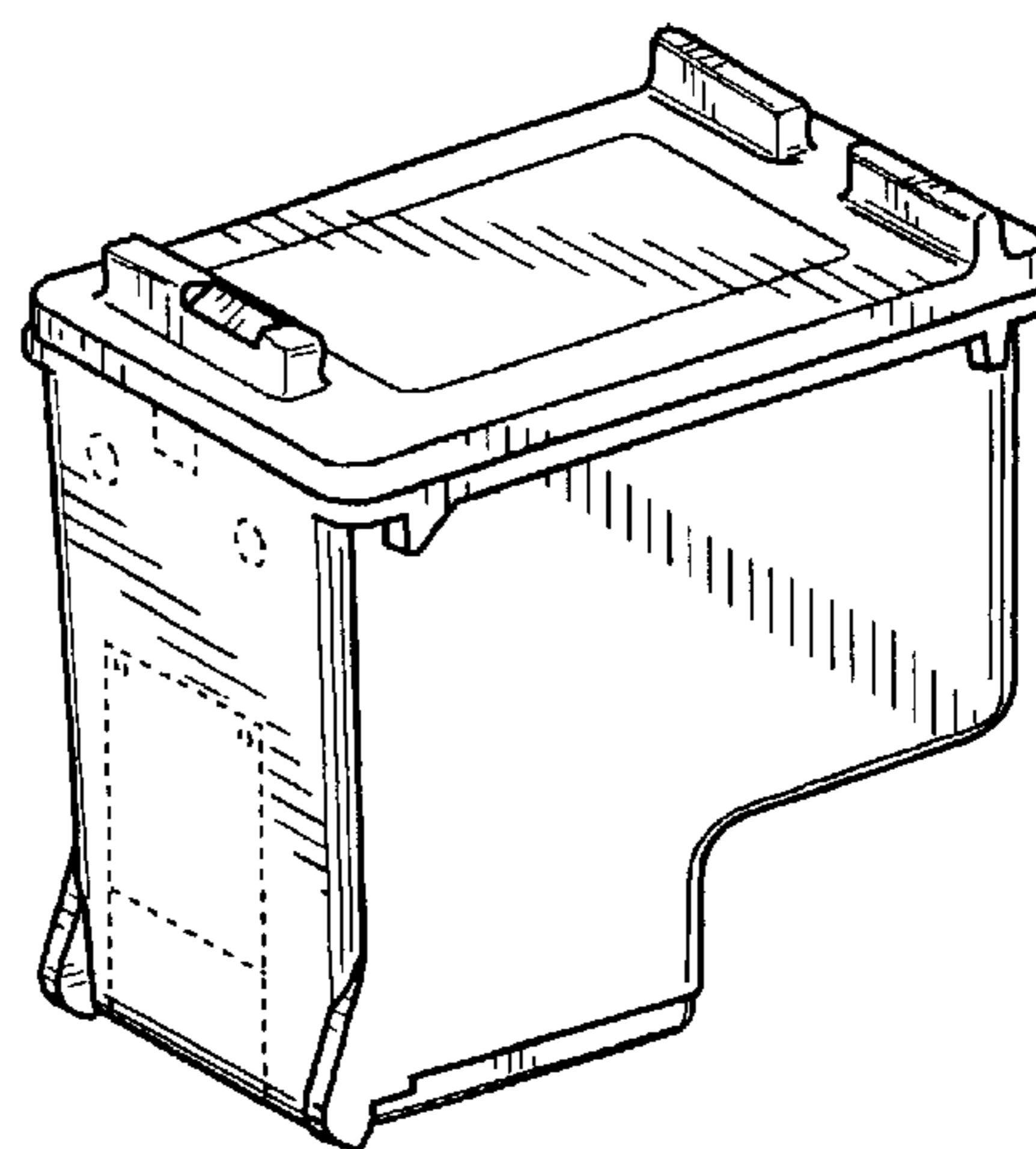
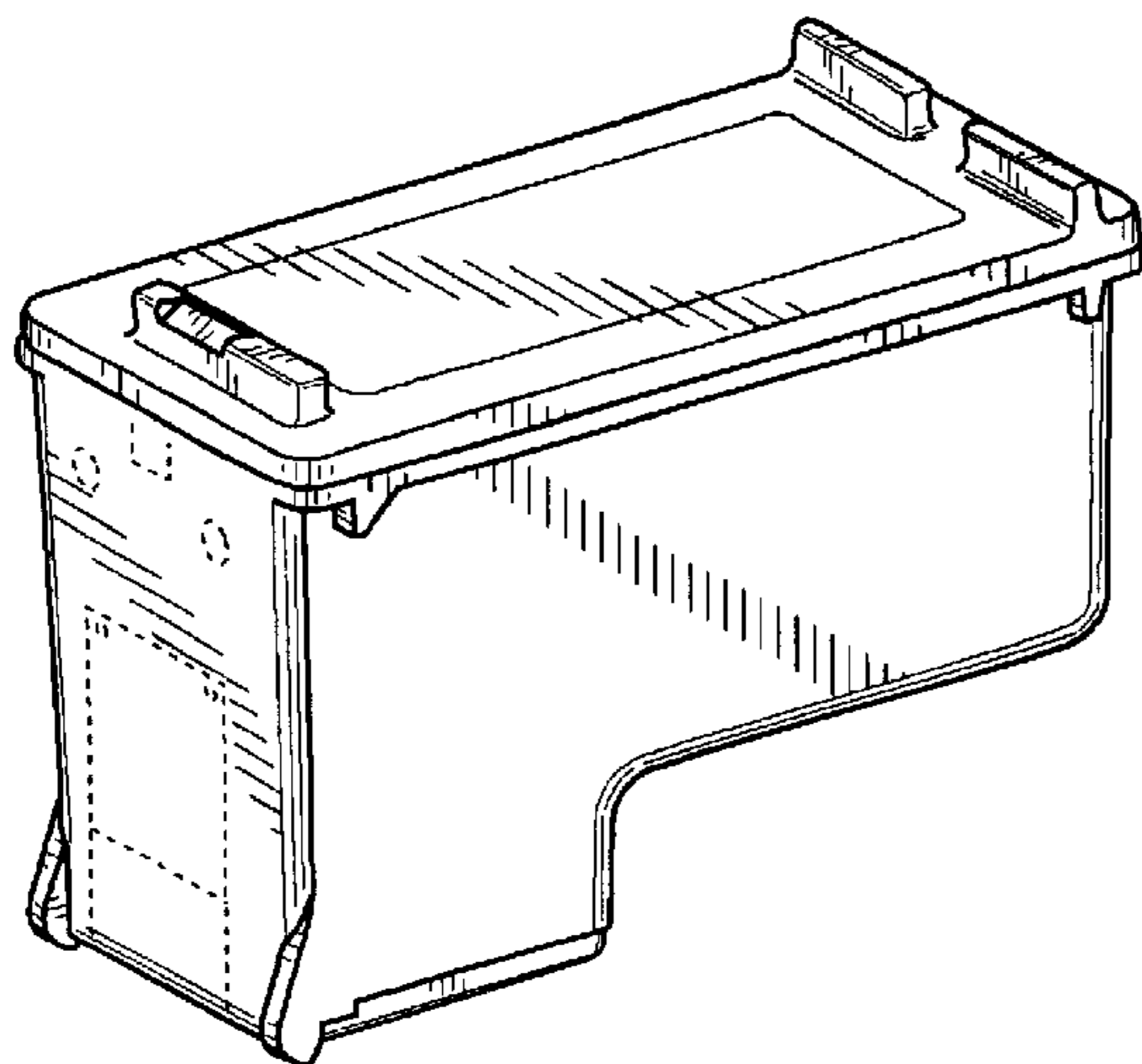
FIG. 7 is a rear elevation view thereof;

FIG. 8 is a bottom plan view thereof; and,

FIG. 9 is an upper, front perspective view of a second embodiment of the inkjet cartridge, the only difference being that the inkjet cartridge is shorter.

The broken lines shown in FIGS. 1-3, 5, 8 and 9 are for illustrative purposes only and form no part of the claimed design.

1 Claim, 3 Drawing Sheets



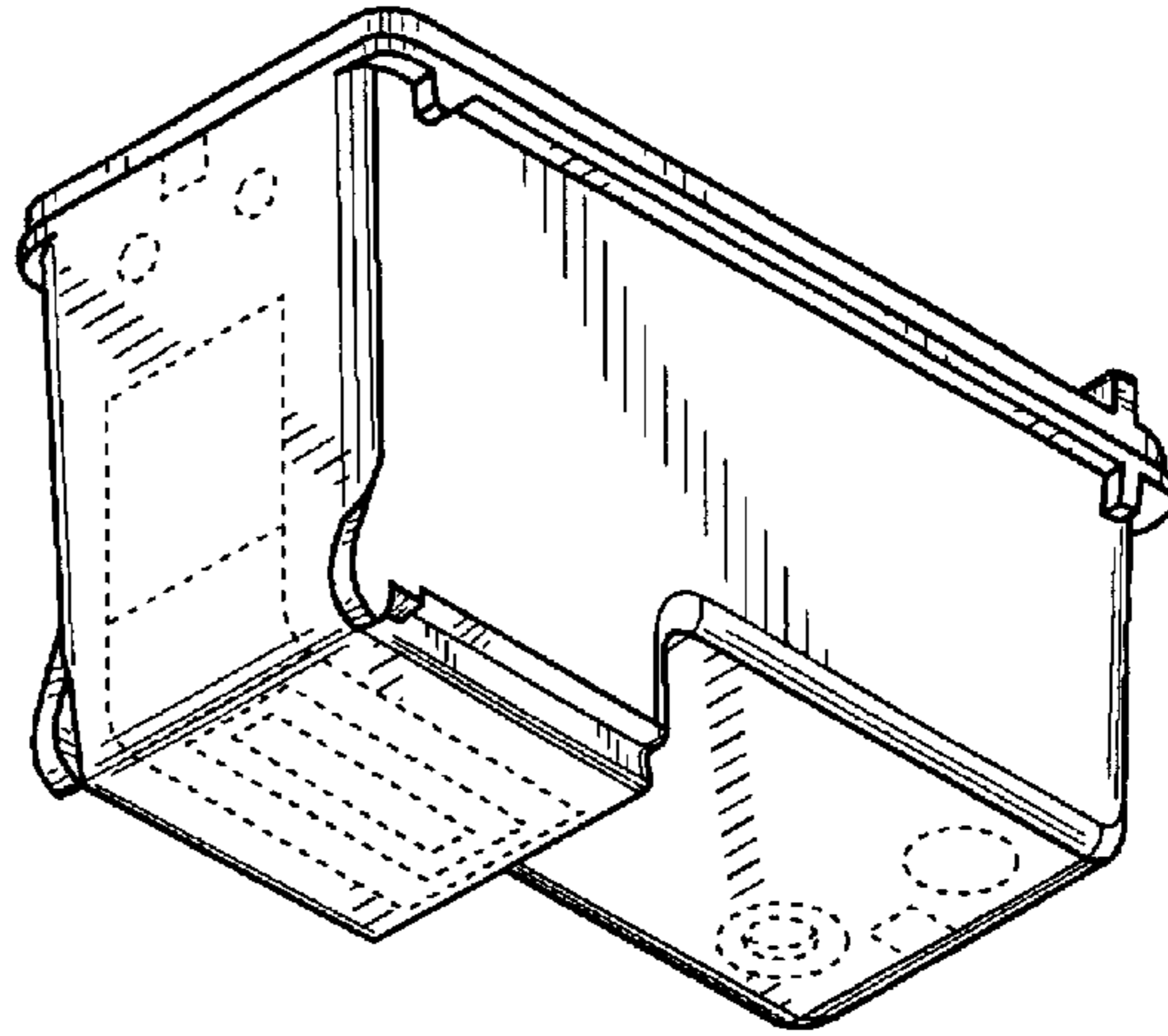


Fig. 1

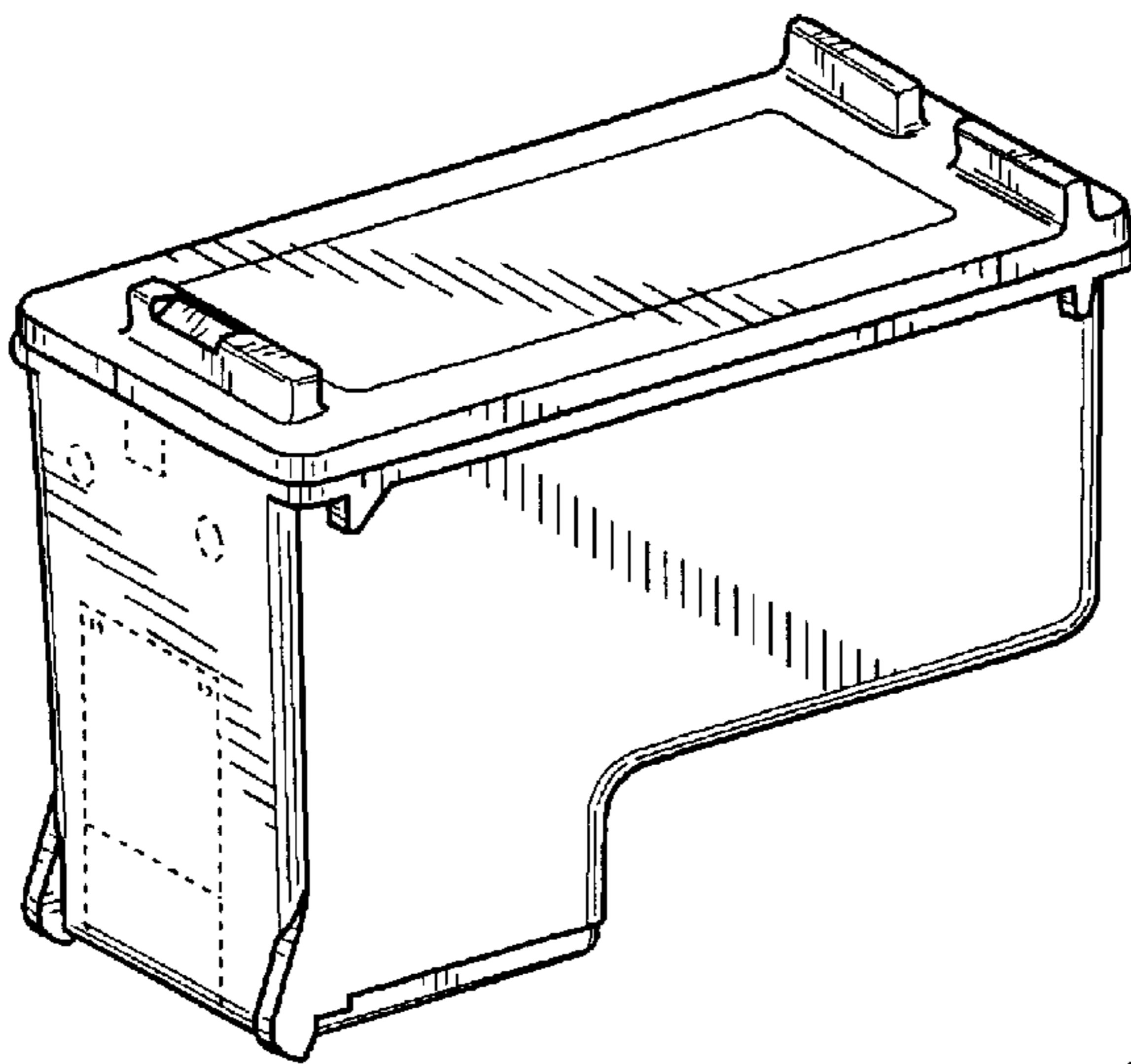


Fig. 2

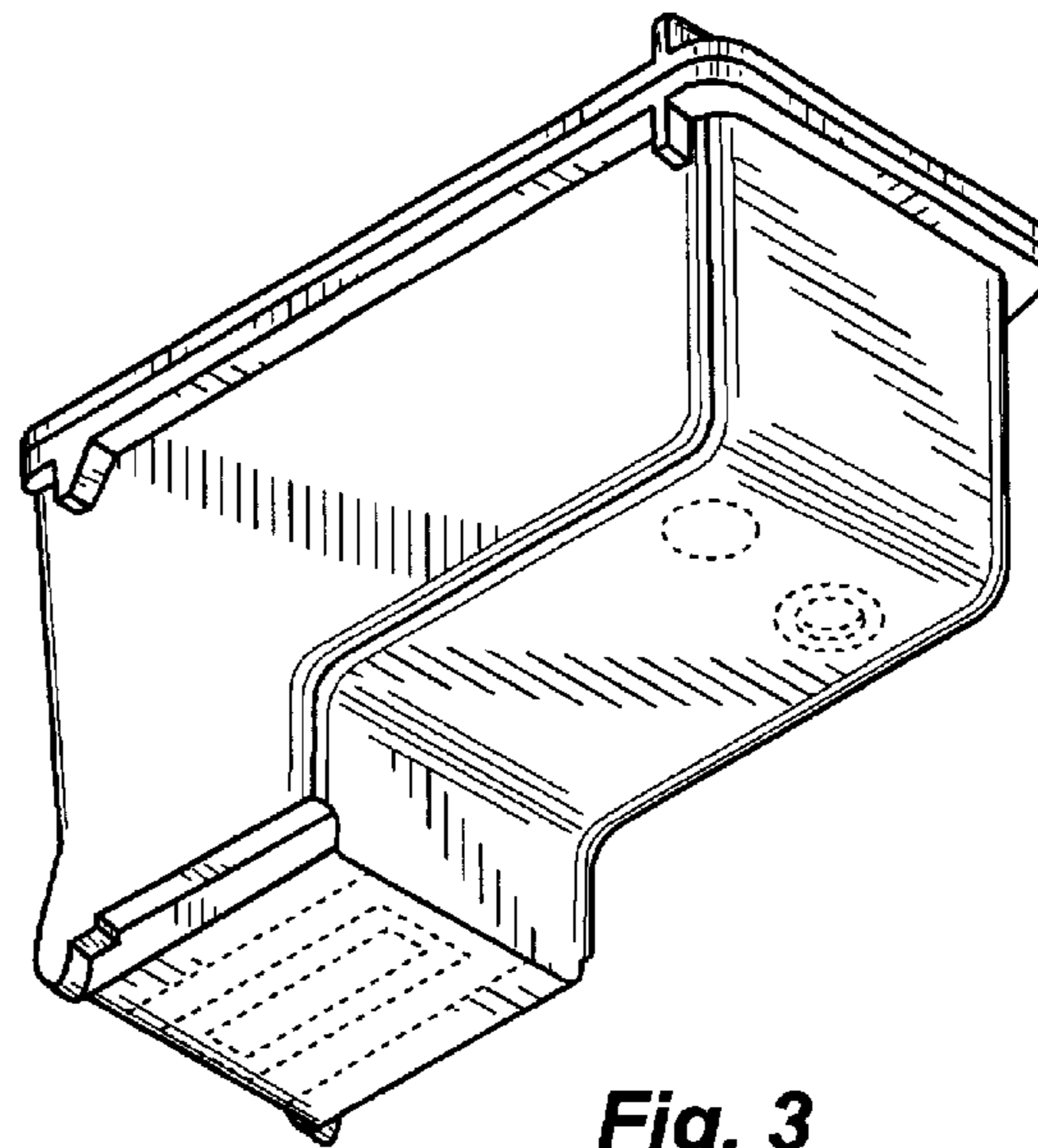


Fig. 3

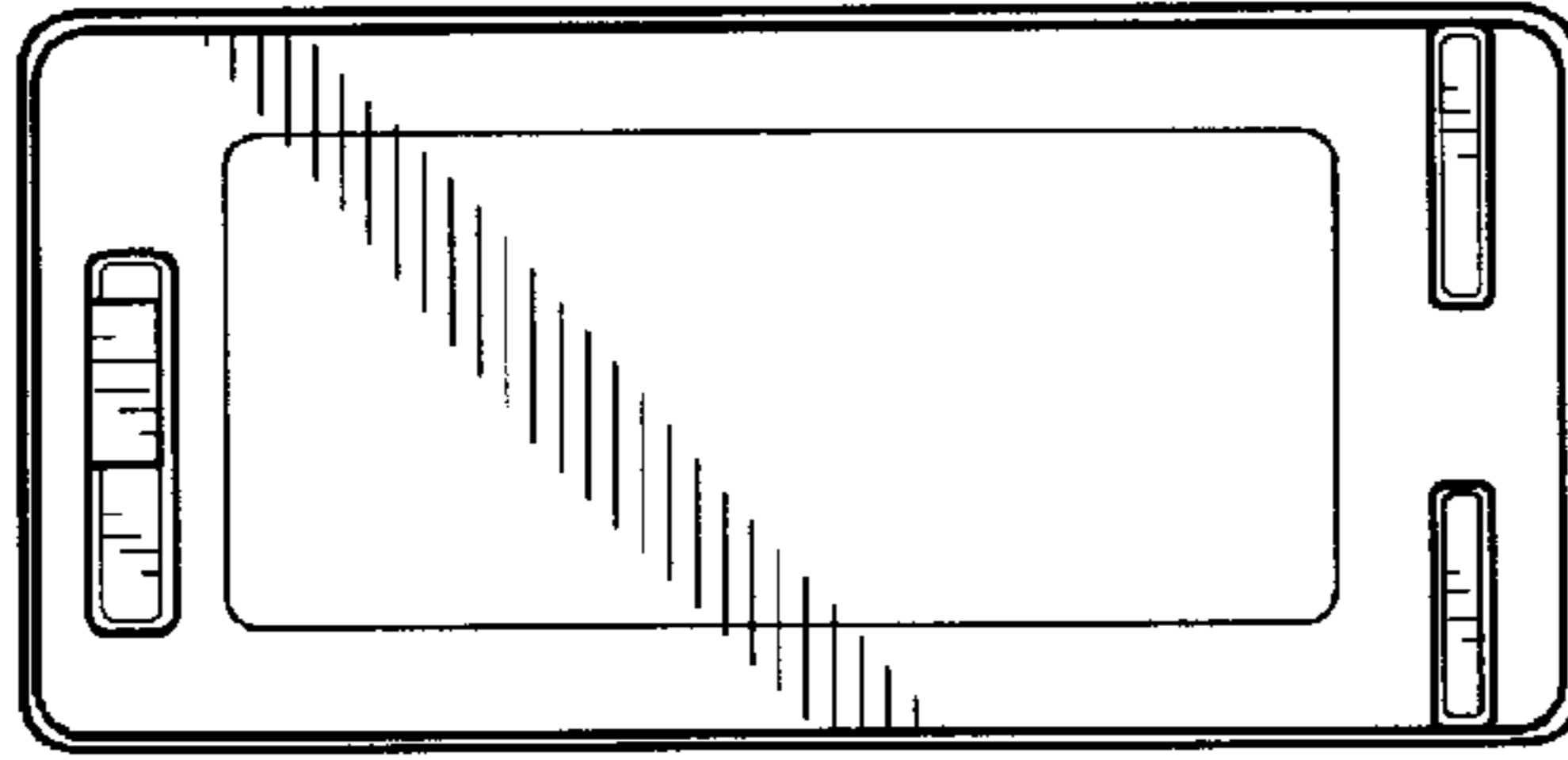


Fig. 4

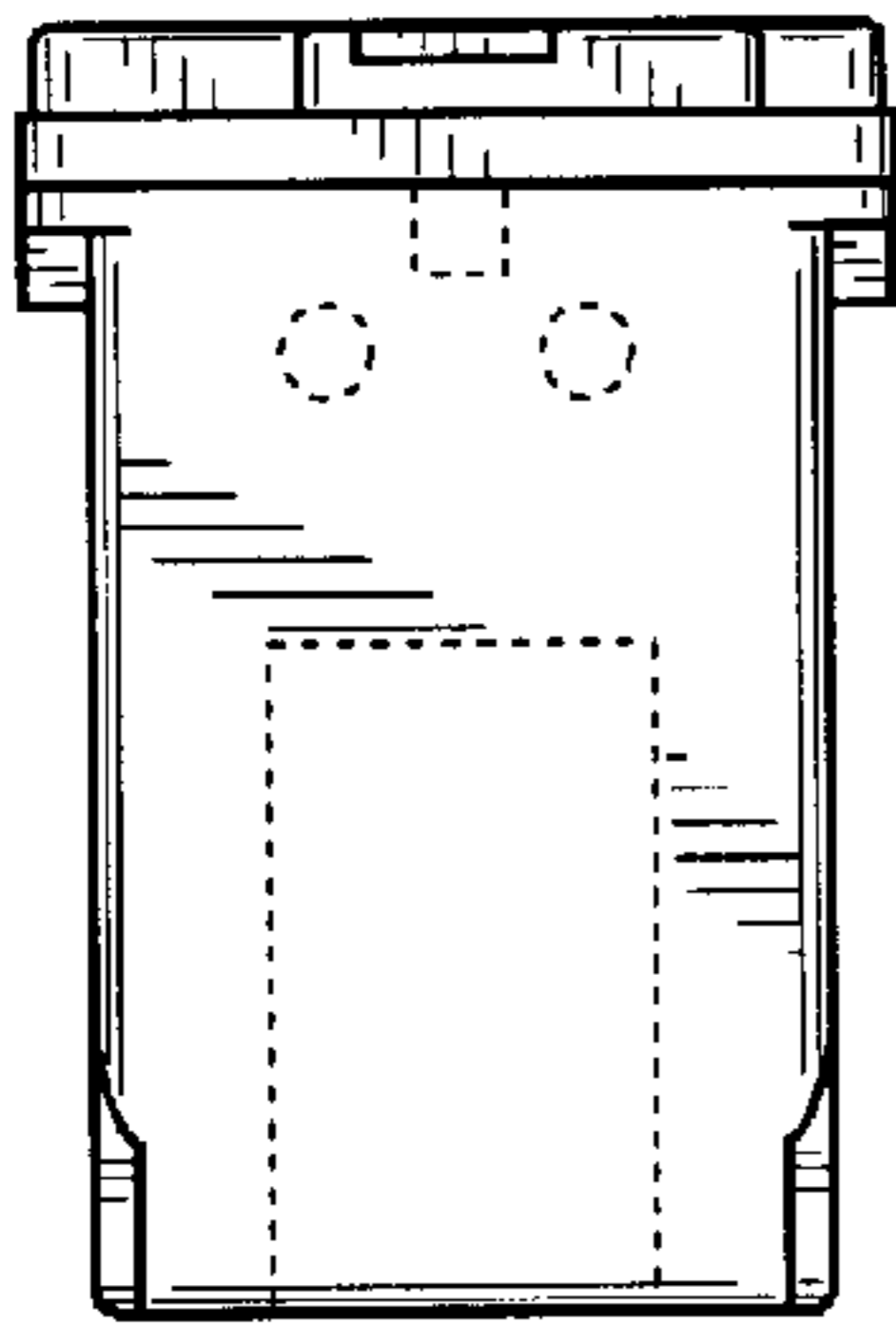


Fig. 5

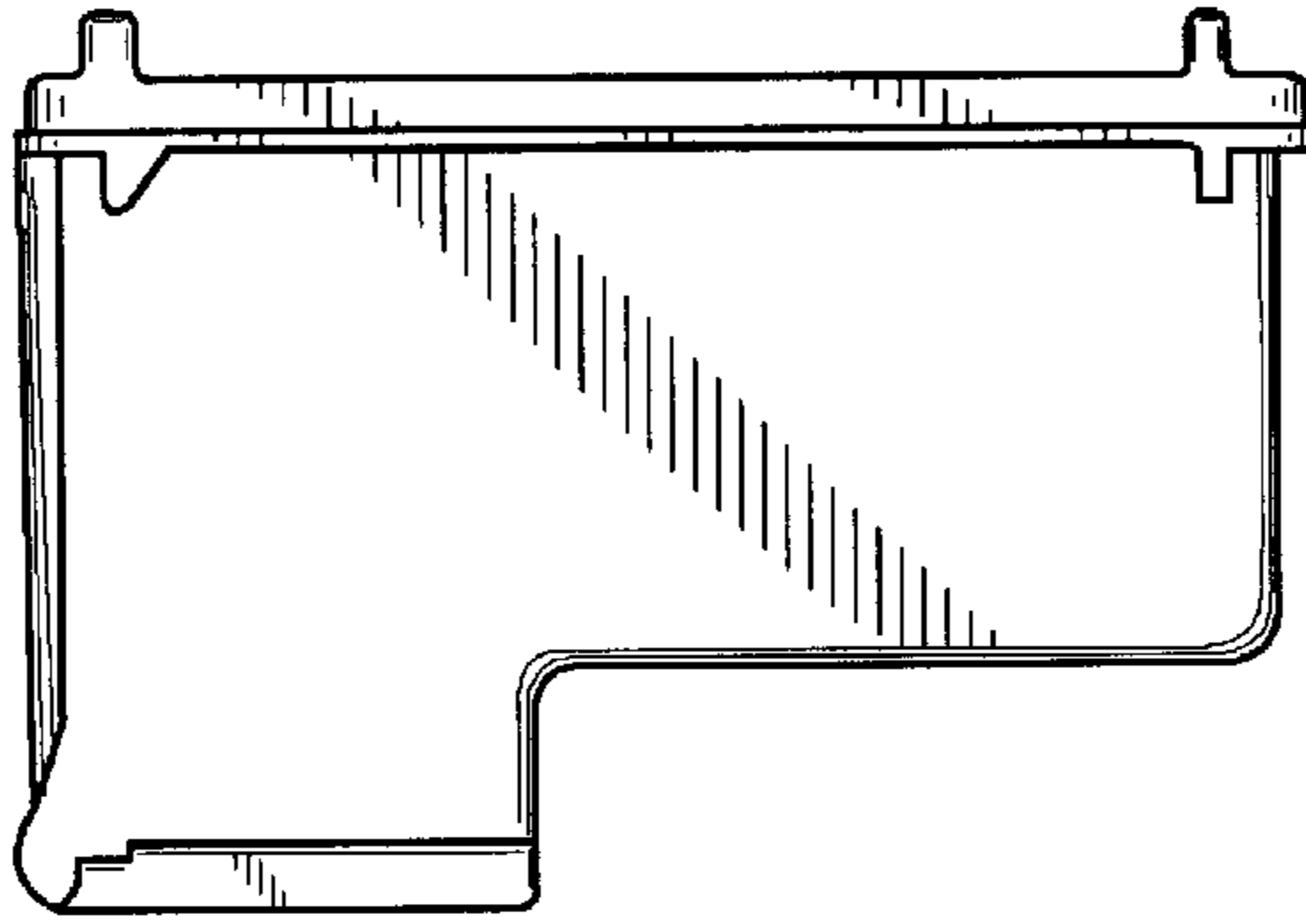


Fig. 6

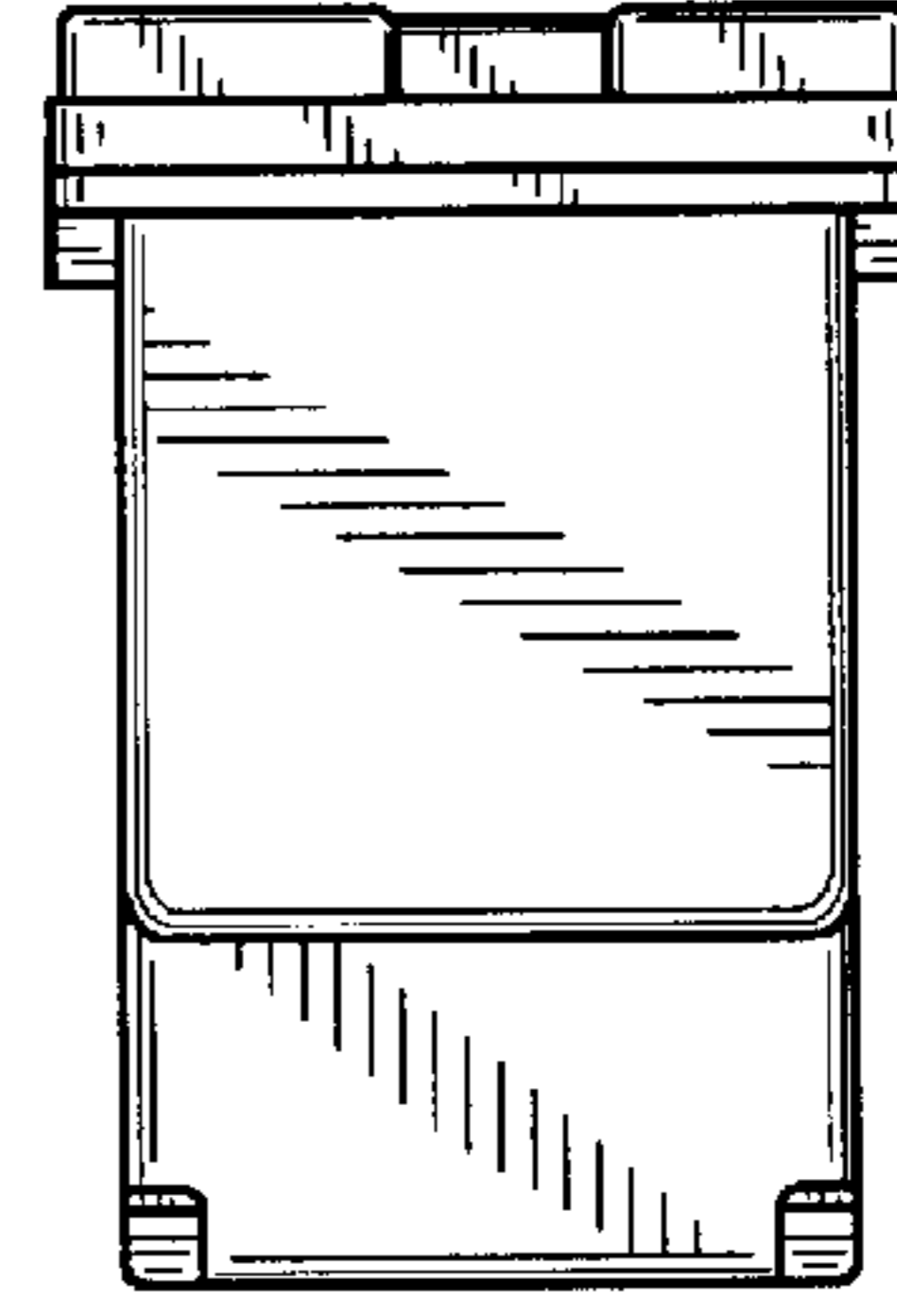


Fig. 7

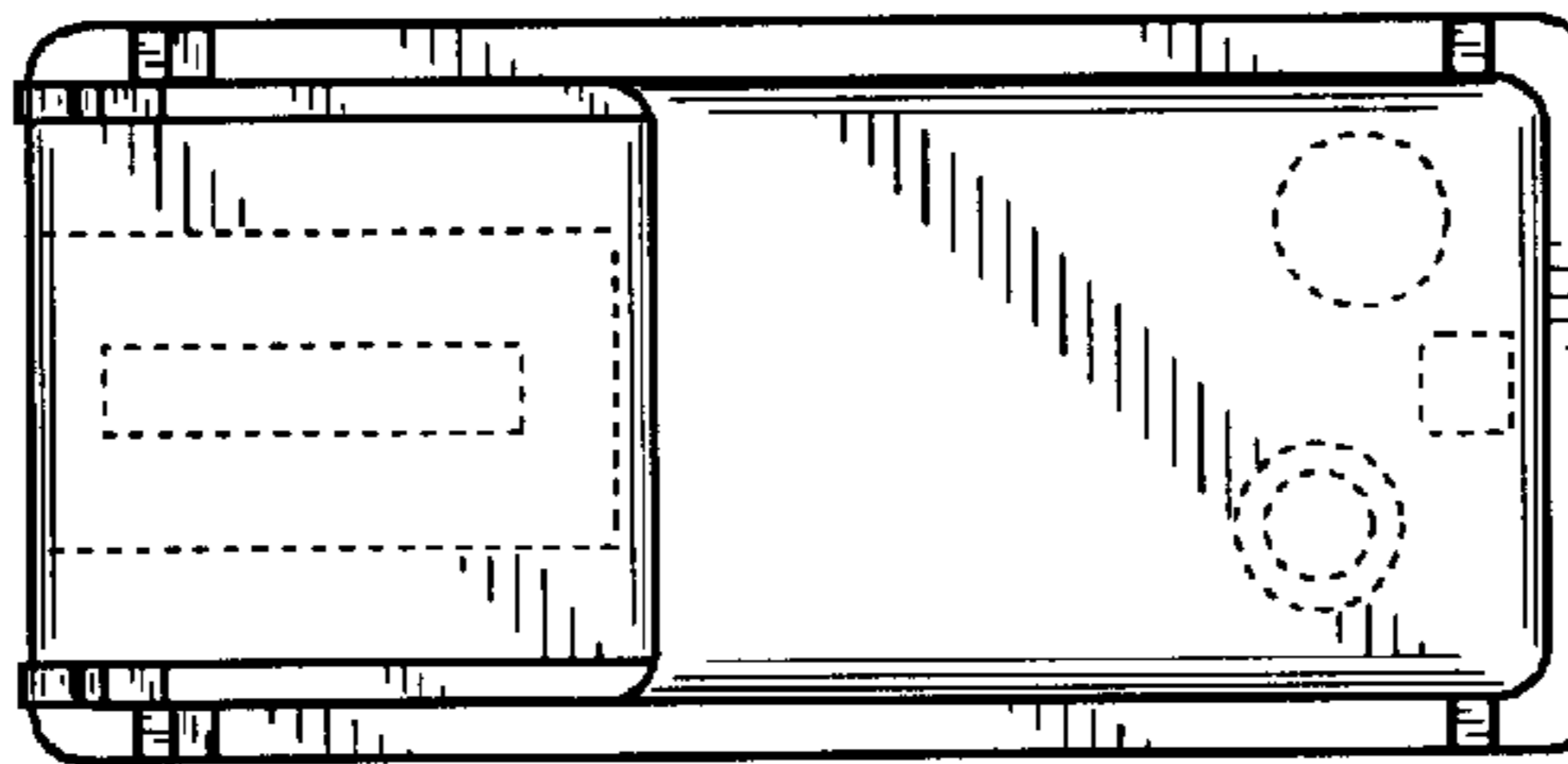


Fig. 8

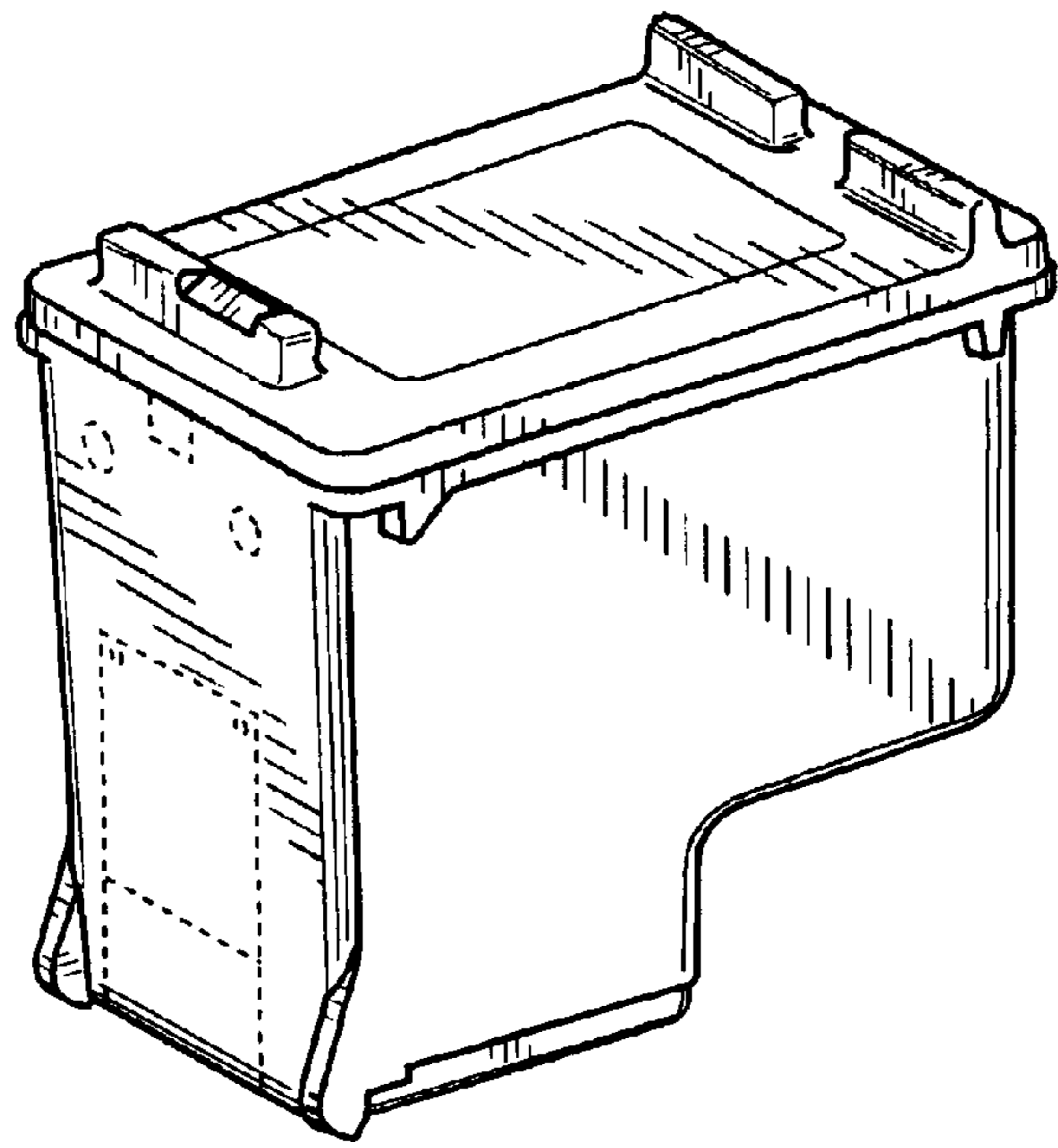


Fig. 9