



US00D529083S

(12) **United States Design Patent**
Sugimoto et al.

(10) **Patent No.:** **US D529,083 S**

(45) **Date of Patent:** **** Sep. 26, 2006**

(54) **TAPE CARTRIDGE PORTION OF A TAPE PRINTING MACHINE**

(75) Inventors: **Kiyoshi Sugimoto**, Kuwana (JP);
Shigeru Matsumoto, Toyokawa (JP)

(73) Assignee: **Brother Industries, Ltd.**, Nagoya (JP)

(**) Term: **14 Years**

(21) Appl. No.: **29/208,181**

(22) Filed: **Jun. 25, 2004**

(30) **Foreign Application Priority Data**

Dec. 25, 2003 (JP) 2003-038405

(51) **LOC (8) Cl.** **18-02**

(52) **U.S. Cl.** **D18/56**

(58) **Field of Classification Search** D18/50,
D18/54, 54.1, 56-59; 347/171, 108, 170,
347/220, 263; 400/625, 642, 680, 120.6;
D6/635, 499; D10/75-77, 81; D16/221-234;
D14/474, 168; D8/400, 366, 384, 499
See application file for complete search history.

(56) **References Cited**

U.S. PATENT DOCUMENTS

4,431,323 A * 2/1984 Kulow 400/625

5,106,219 A * 4/1992 Wyhof 400/680
5,674,013 A * 10/1997 Koike et al. 400/120.16
D445,019 S * 7/2001 Vitetta D8/366
2005/0271449 A1 * 12/2005 Hirte et al. 400/642

* cited by examiner

Primary Examiner—Charles A. Rademaker

(74) *Attorney, Agent, or Firm*—Oliff & Berridge, PLC

(57) **CLAIM**

The ornamental design for a tape cartridge portion of a tape printing machine, as shown and described.

DESCRIPTION

FIG. 1 is a top perspective view of a tape cartridge portion of a tape printing machine showing our new design;

FIG. 2 is a front elevation view thereof;

FIG. 3 is a rear elevation view thereof;

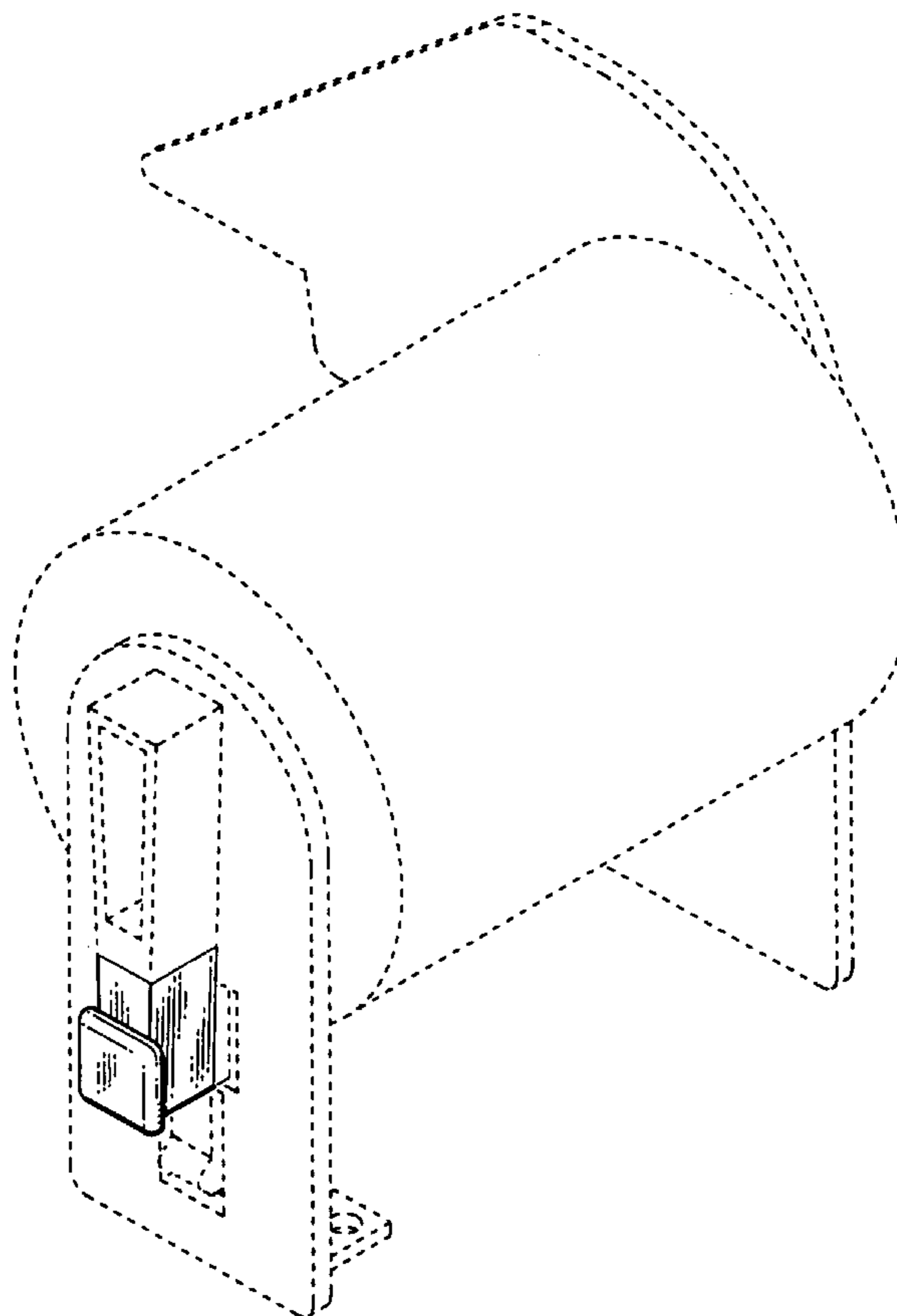
FIG. 4 is a left side elevation view thereof;

FIG. 5 is a top plan view thereof; and,

FIG. 6 is a bottom plan view thereof.

The broken line disclosure is for illustrative purposes only and forms no part of the claimed design.

1 Claim, 4 Drawing Sheets



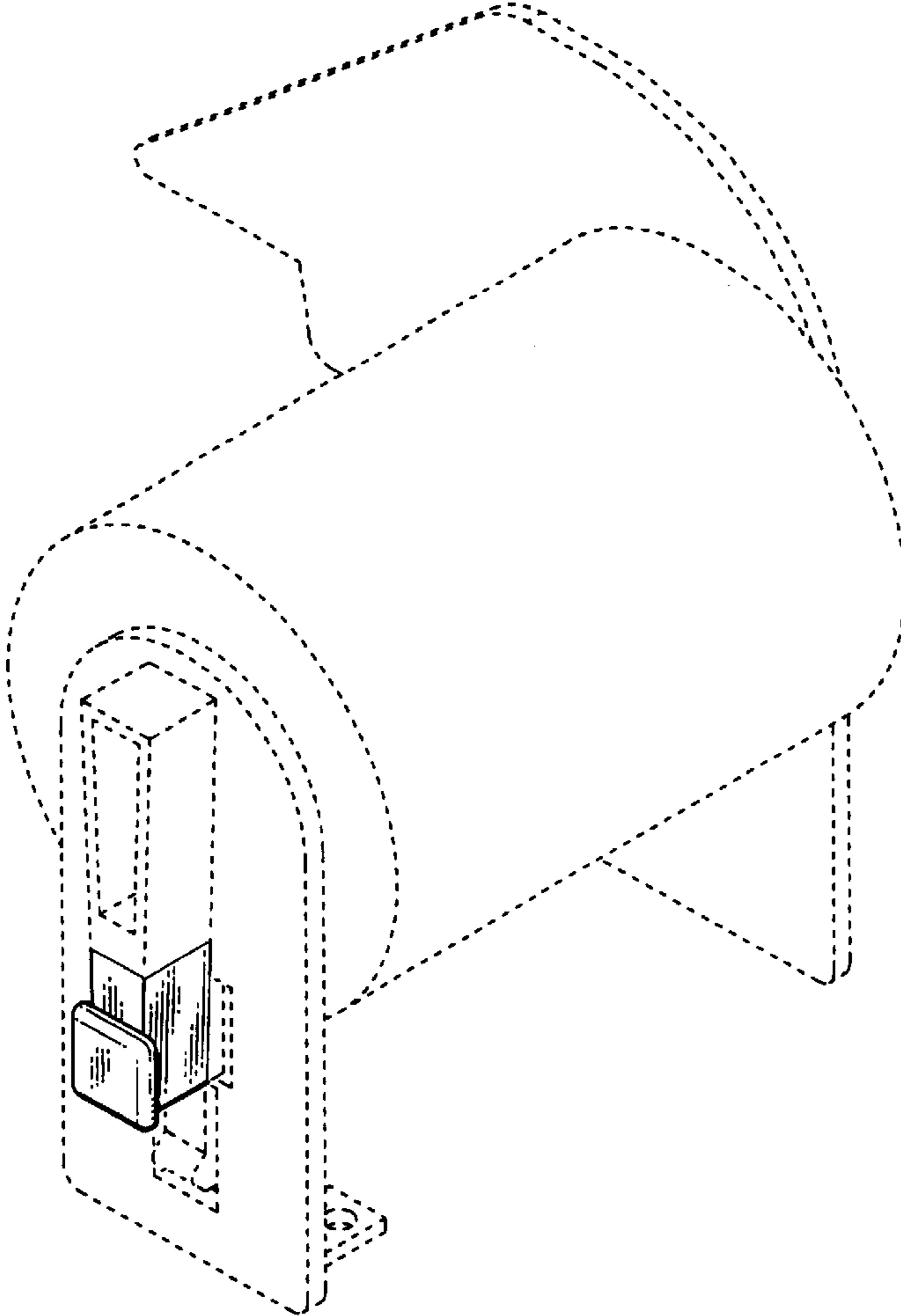


Fig. 1

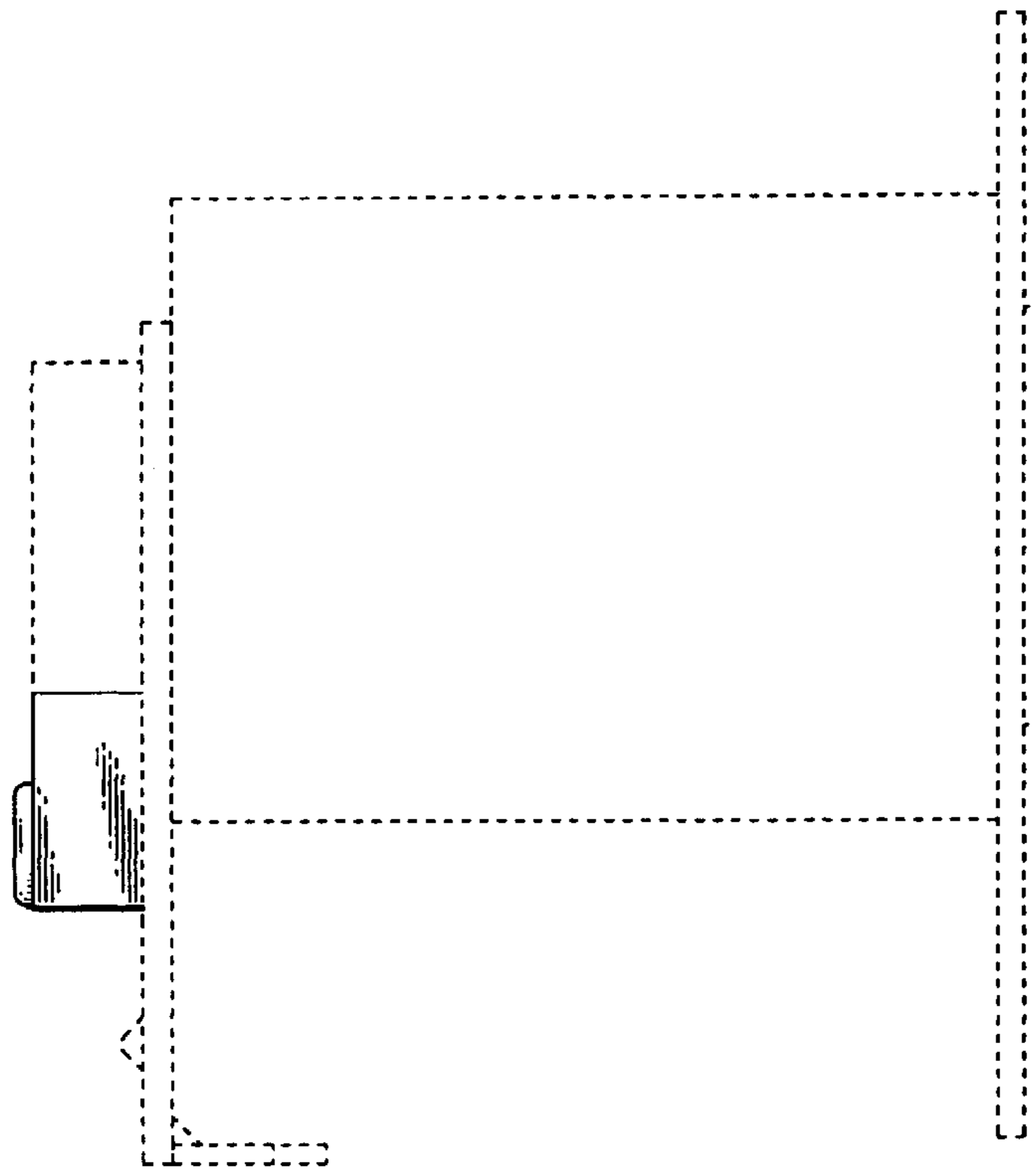


Fig. 2

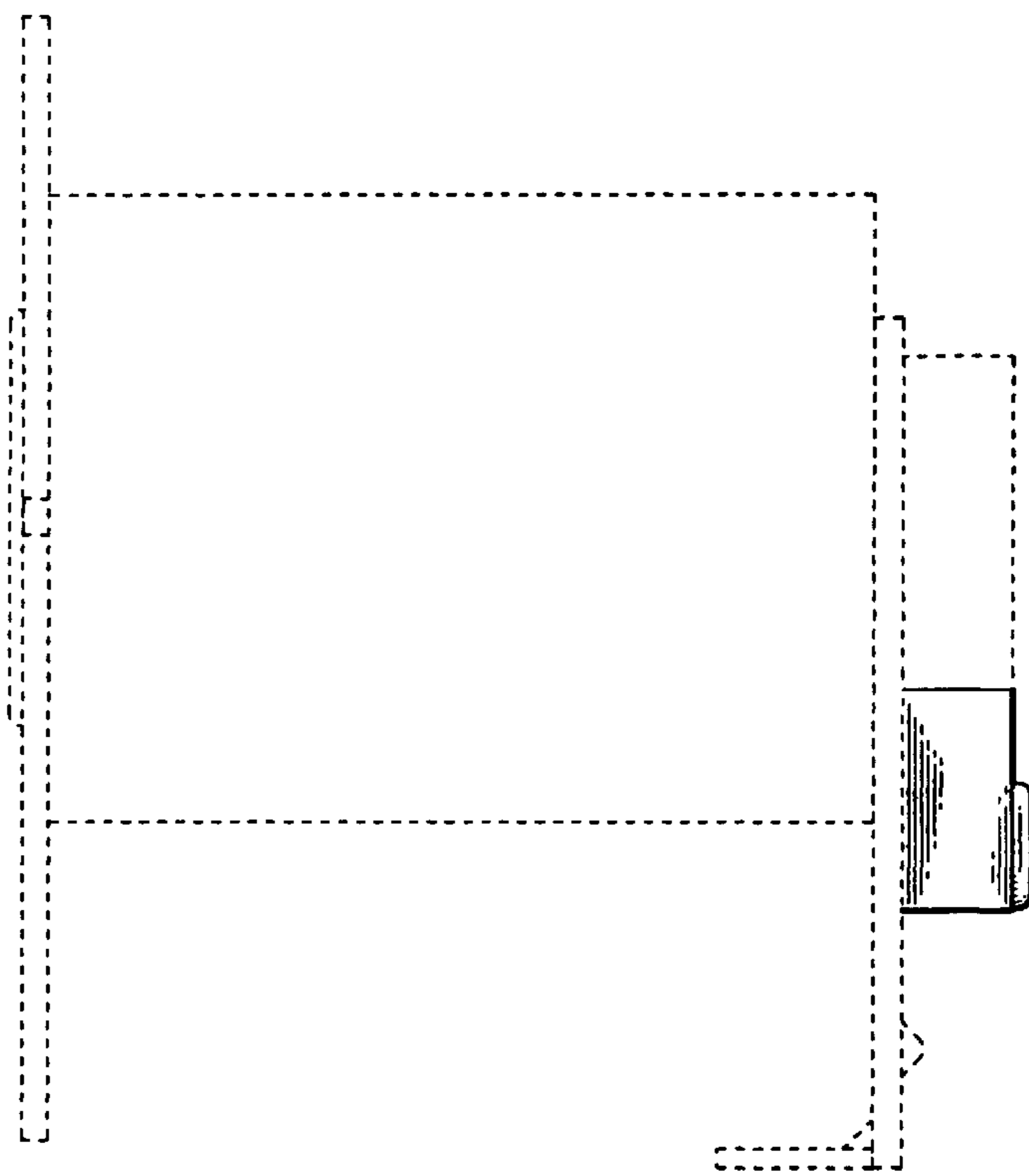


Fig. 3

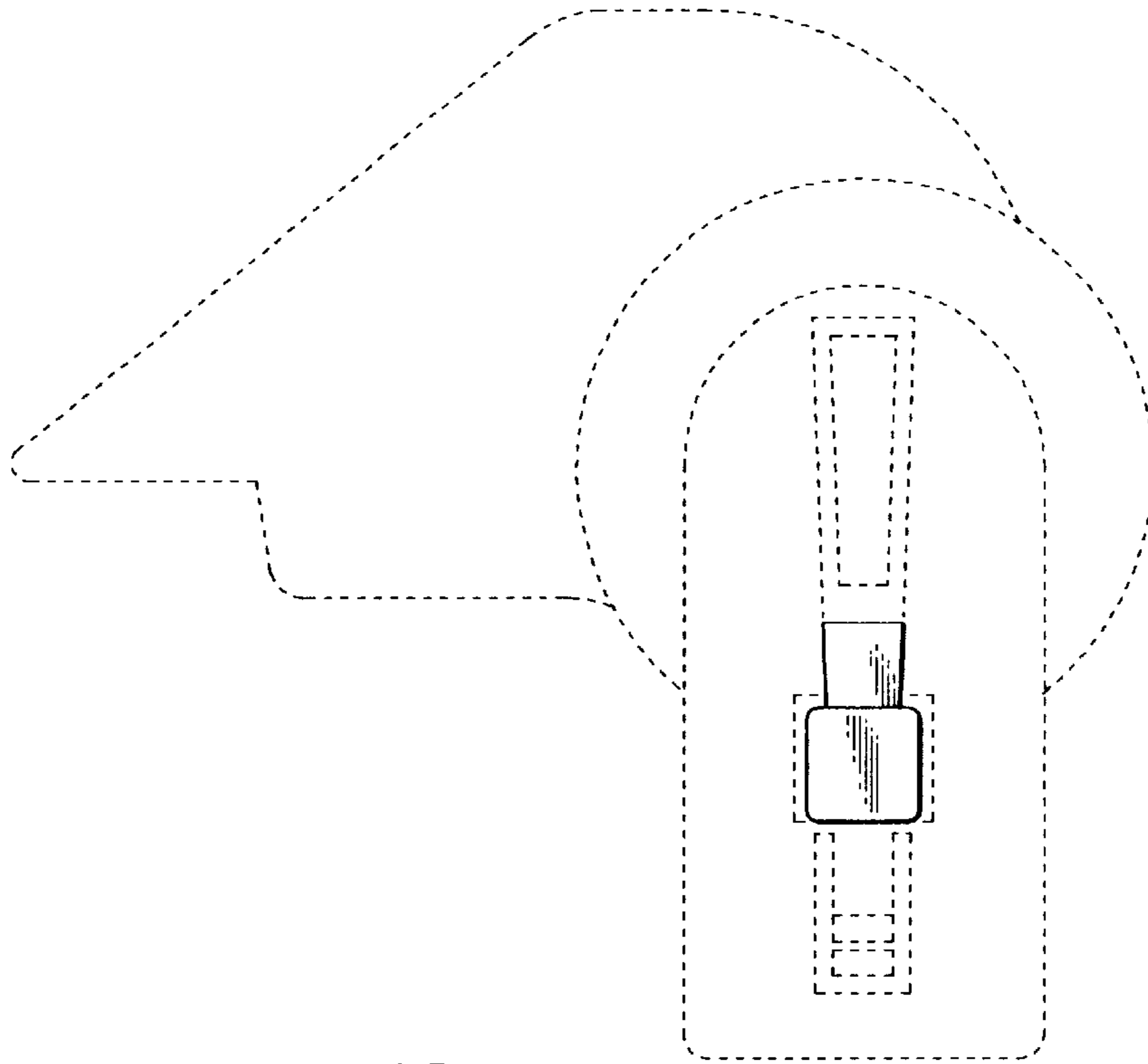


Fig. 4

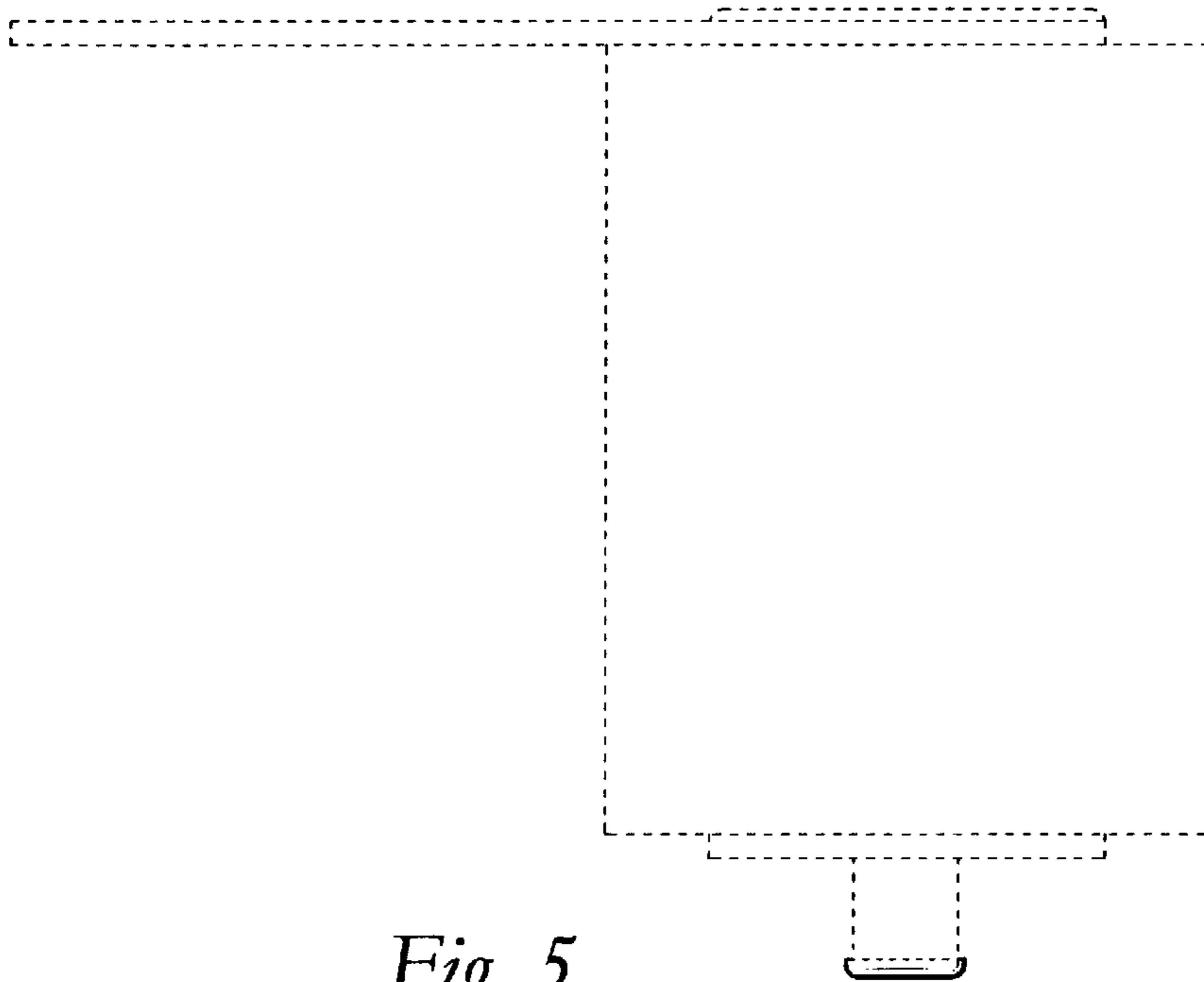


Fig. 5

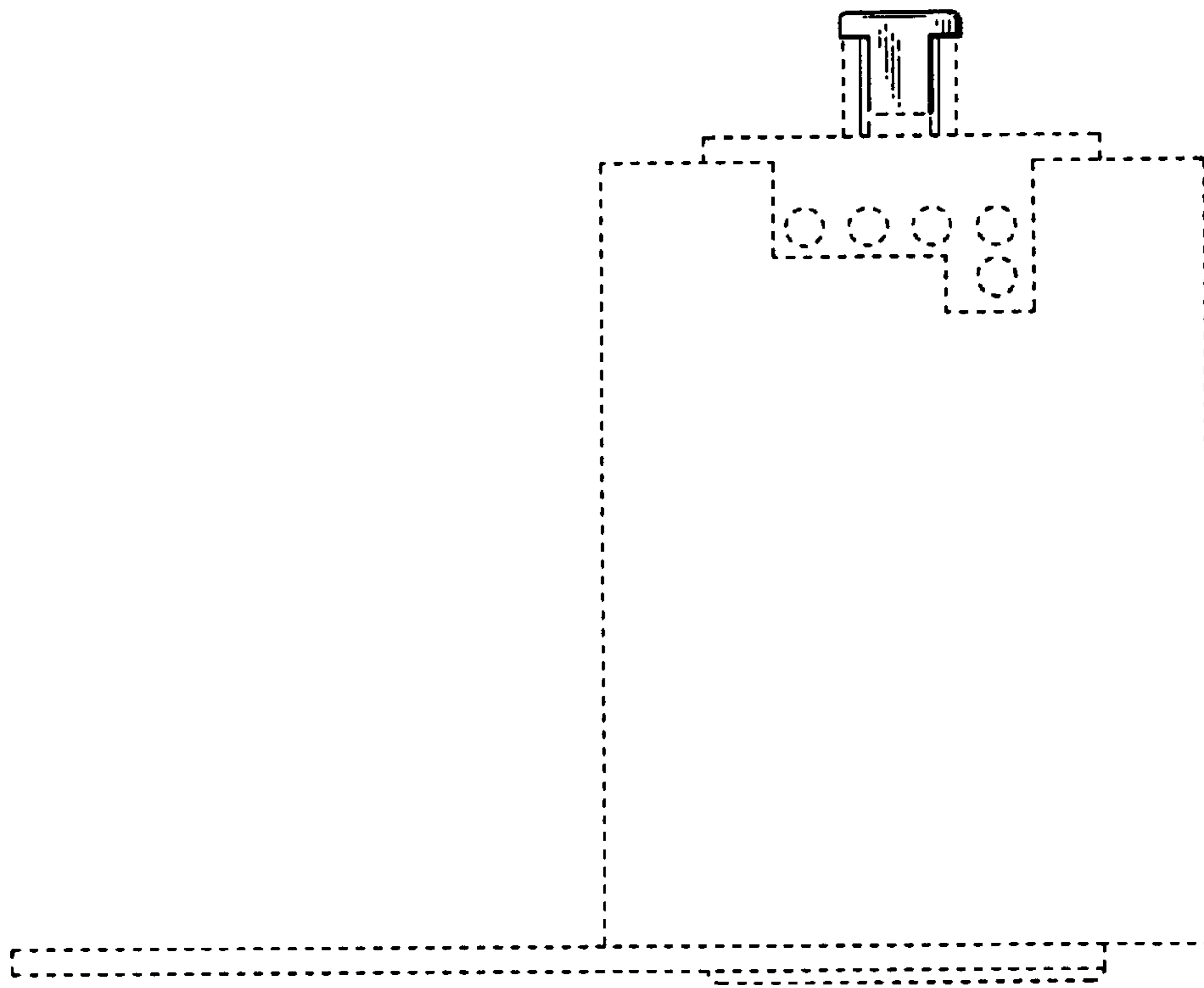


Fig. 6