



US00D529081S

(12) **United States Design Patent**  
**King et al.**

(10) **Patent No.:** **US D529,081 S**

(45) **Date of Patent:** **\*\* Sep. 26, 2006**

(54) **MULTI-FUNCTION PRINTER**

(75) Inventors: **Tobin Allen King**, Balmain (AU); **Kia Silverbrook**, Balmain (AU)

(73) Assignee: **Silverbrook Research PTY, Ltd.**, Balmain NSW (AU)

(\*\*) Term: **14 Years**

(21) Appl. No.: **29/219,497**

(22) Filed: **Dec. 20, 2004**

(51) **LOC (8) Cl.** ..... **18-02**

(52) **U.S. Cl.** ..... **D18/54**

(58) **Field of Classification Search** ..... D18/50,  
D18/51, 53, 55, 99; D15/199; 101/2, 5, 47,  
101/49, 52, 53, 71; 235/375; 346/9-11, 112;  
705/401, 407, 408

See application file for complete search history.

(56) **References Cited**

**U.S. PATENT DOCUMENTS**

- D327,289 S \* 6/1992 Ivester ..... D18/55
- D330,043 S \* 10/1992 Reese ..... D18/55
- D350,152 S \* 8/1994 Tsuchida et al. .... D18/55
- D350,980 S \* 9/1994 Kobayashi ..... D18/55
- D371,157 S \* 6/1996 Chambers ..... D18/50

- D373,377 S \* 9/1996 Fetheroff ..... D18/50
- D379,196 S \* 5/1997 Laidlaw ..... D18/55
- D391,603 S \* 3/1998 Ikenaga ..... D18/50

\* cited by examiner

*Primary Examiner*—Charles A. Rademaker

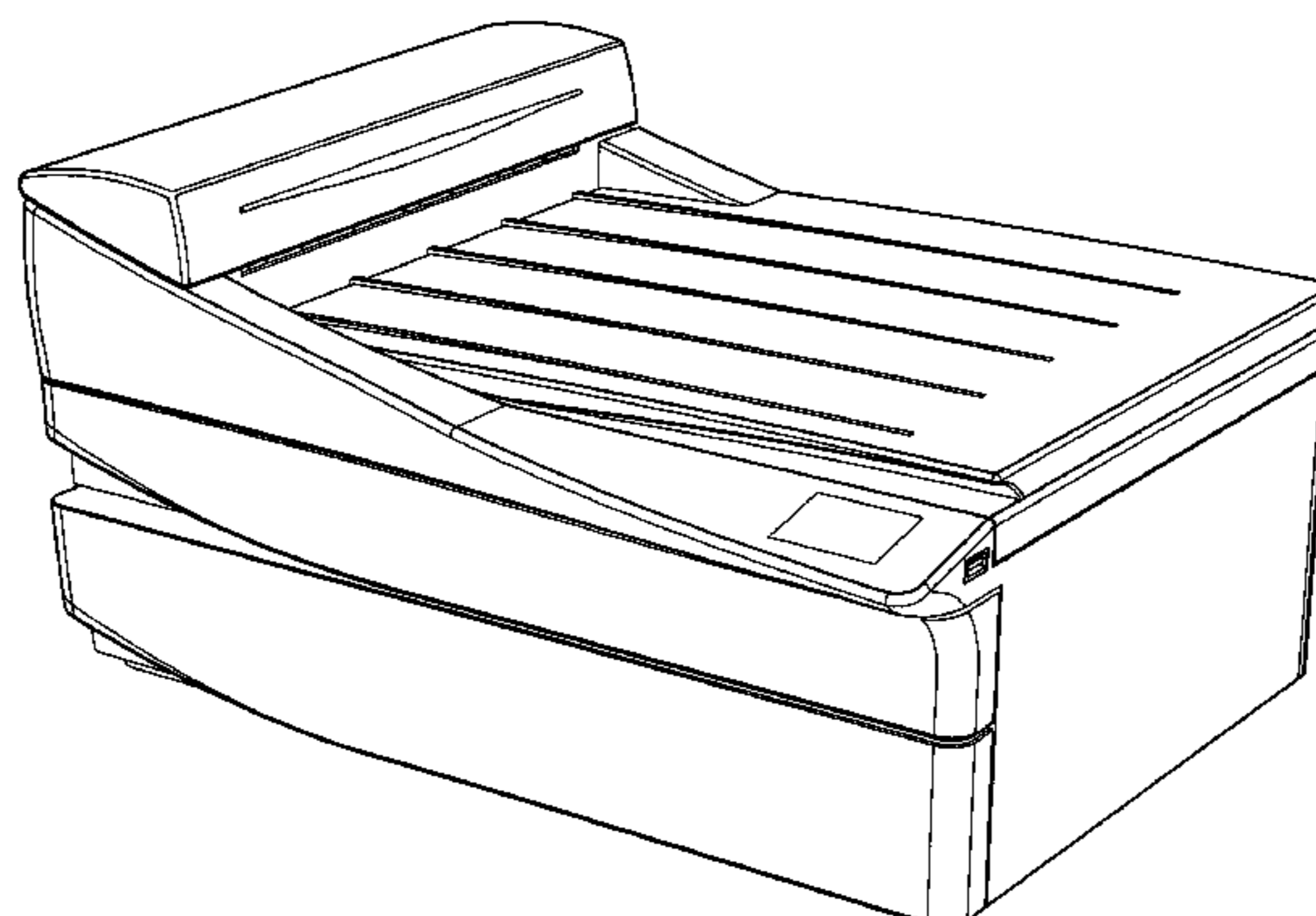
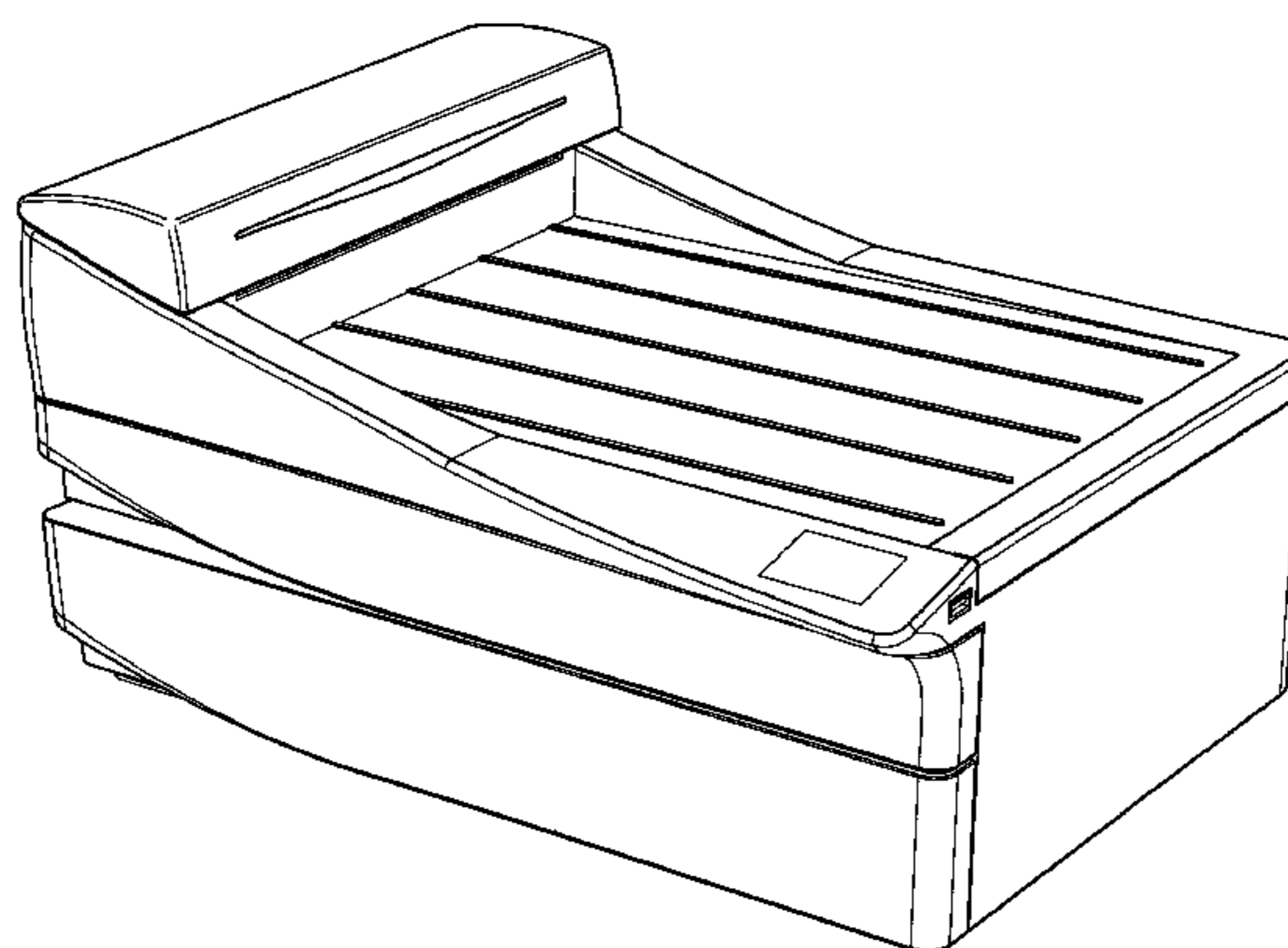
(57) **CLAIM**

The ornamental design for a multi-function printer, as shown and described.

**DESCRIPTION**

FIG. 1 is a front and right side perspective view of a multi-function printer showing our new design;  
 FIG. 2 is a rear and left side perspective view thereof;  
 FIG. 3 is a rear and left side perspective view thereof with the feed tray in an extended position;  
 FIG. 4 is a front elevation thereof;  
 FIG. 5 is a rear elevation thereof;  
 FIG. 6 is a left elevation thereof;  
 FIG. 7 is a right elevation thereof;  
 FIG. 8 is a top plan view thereof;  
 FIG. 9 is a bottom plan view thereof; and,  
 FIG. 10 is a front and right side perspective view of a modified embodiment of the design shown in FIGS. 1 through 9, the unshown sides being the same.

**1 Claim, 10 Drawing Sheets**



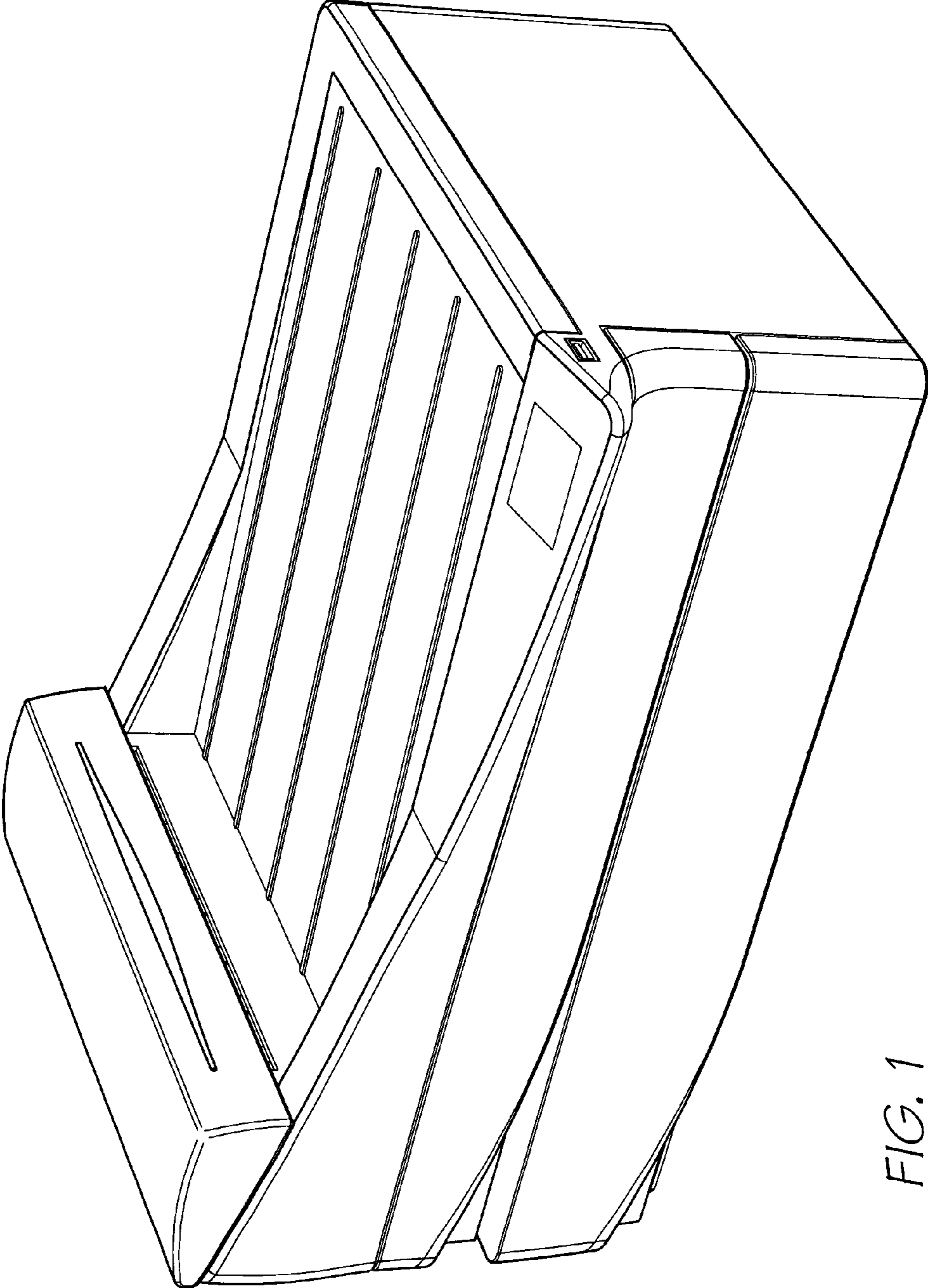


FIG. 1

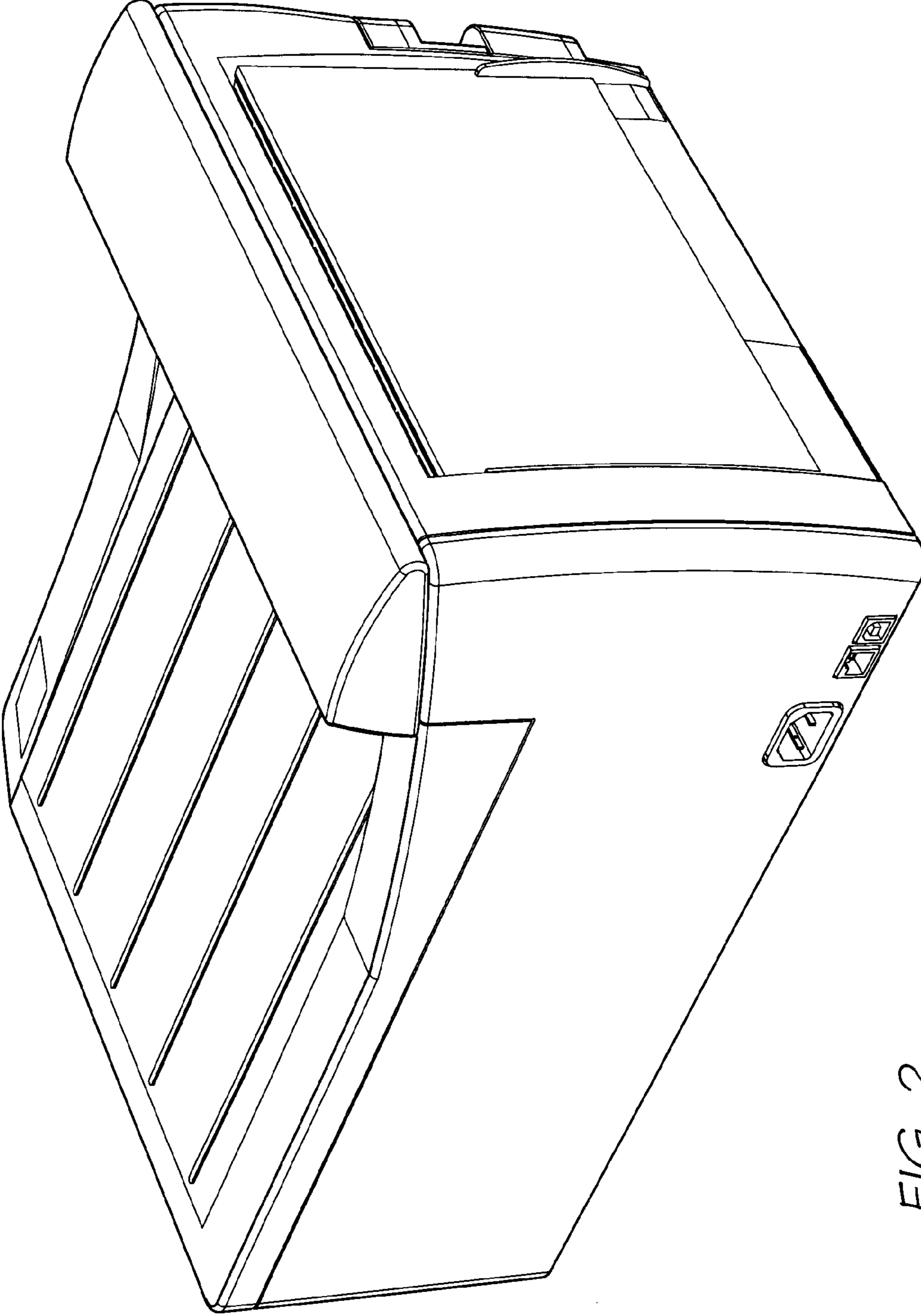


FIG. 2

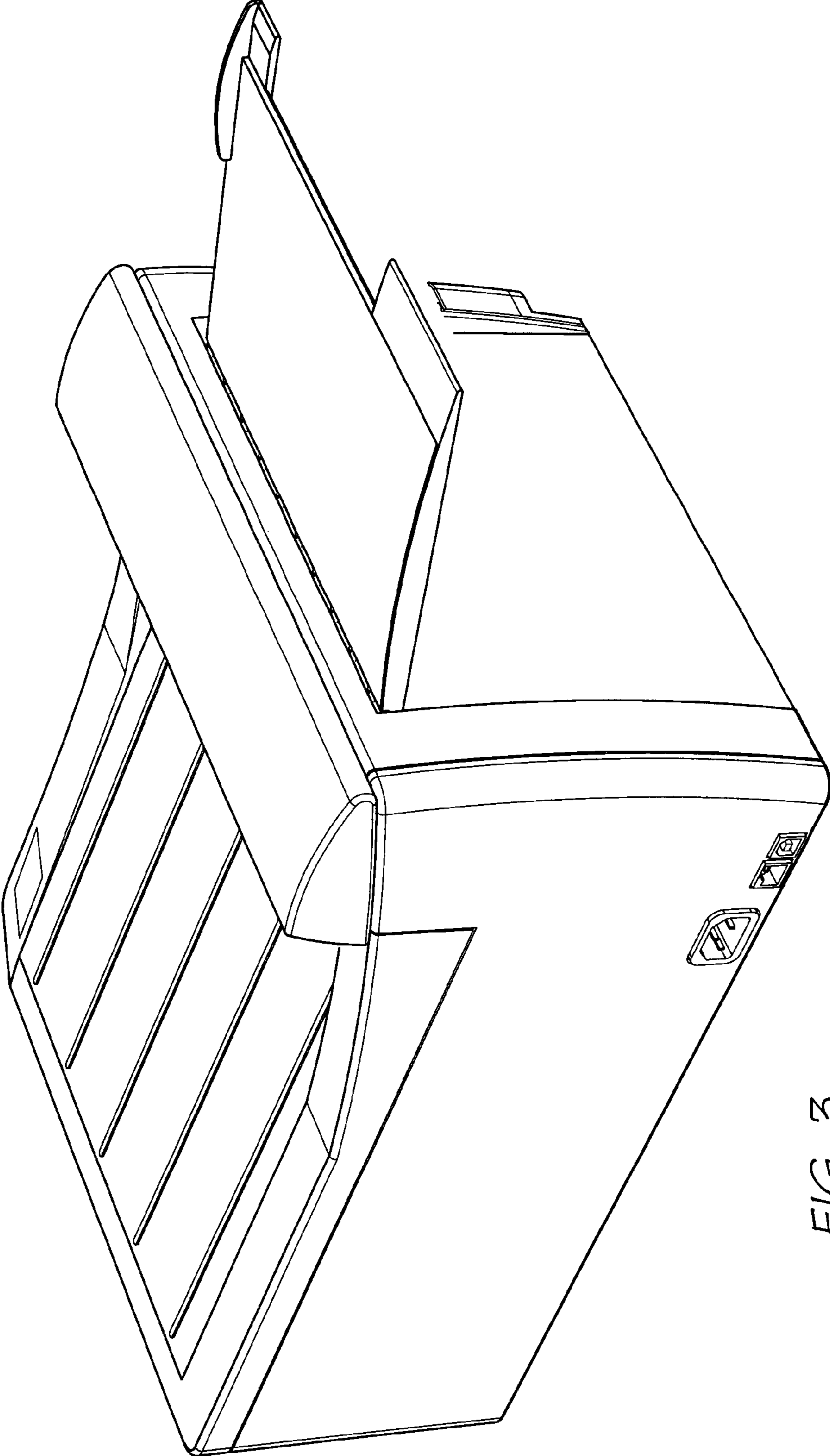


FIG. 3

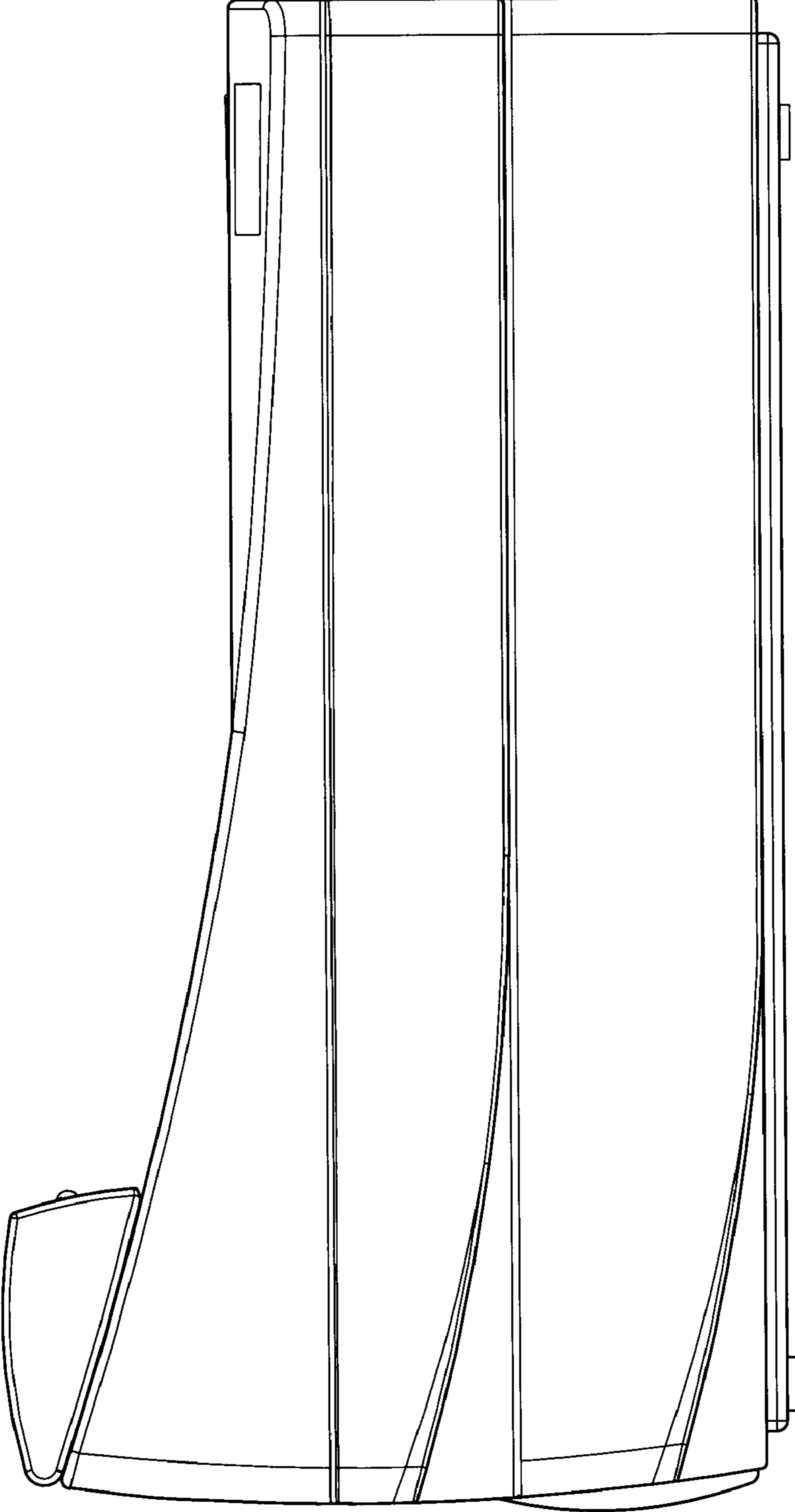


FIG. 4

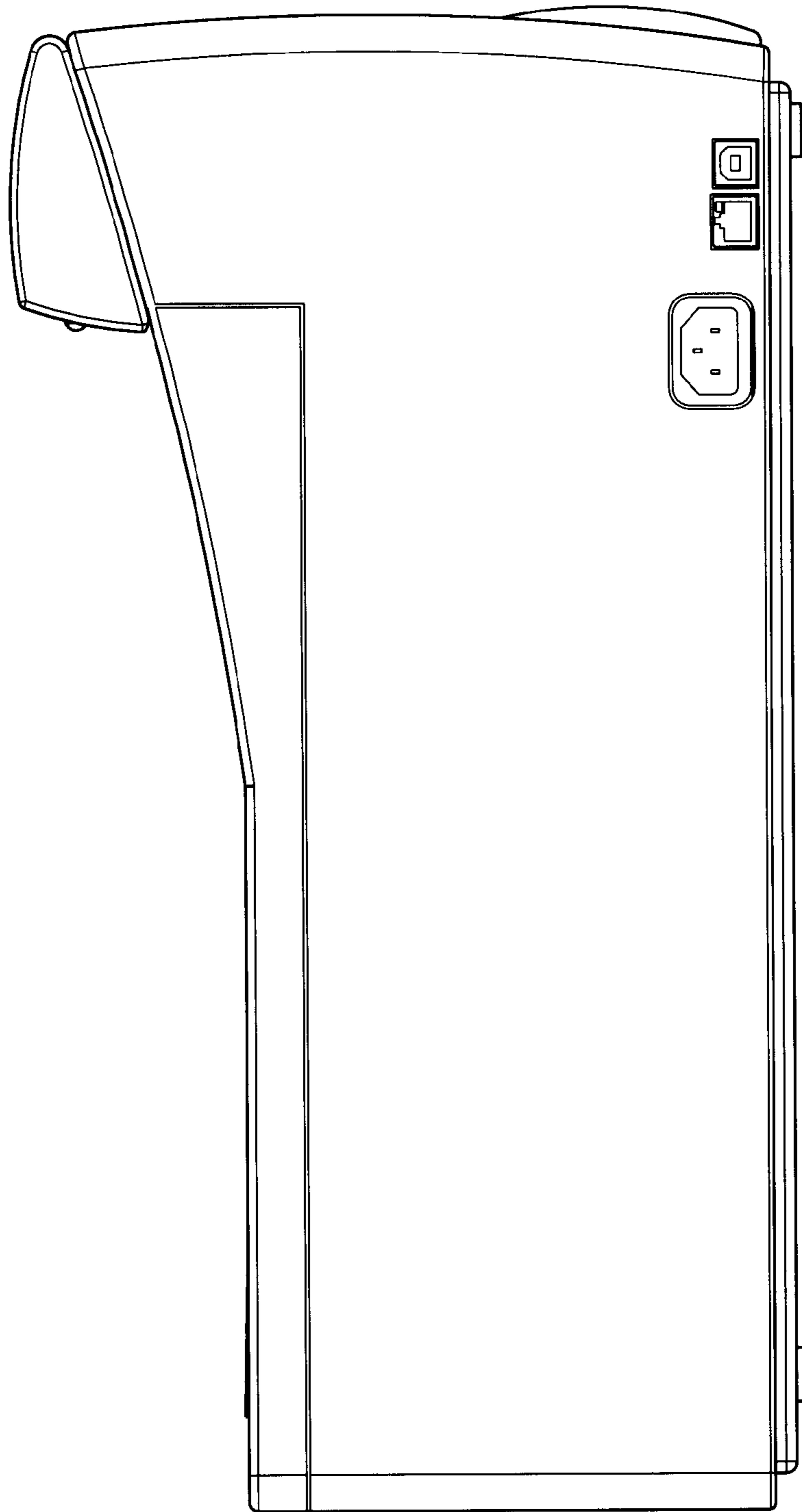


FIG. 5

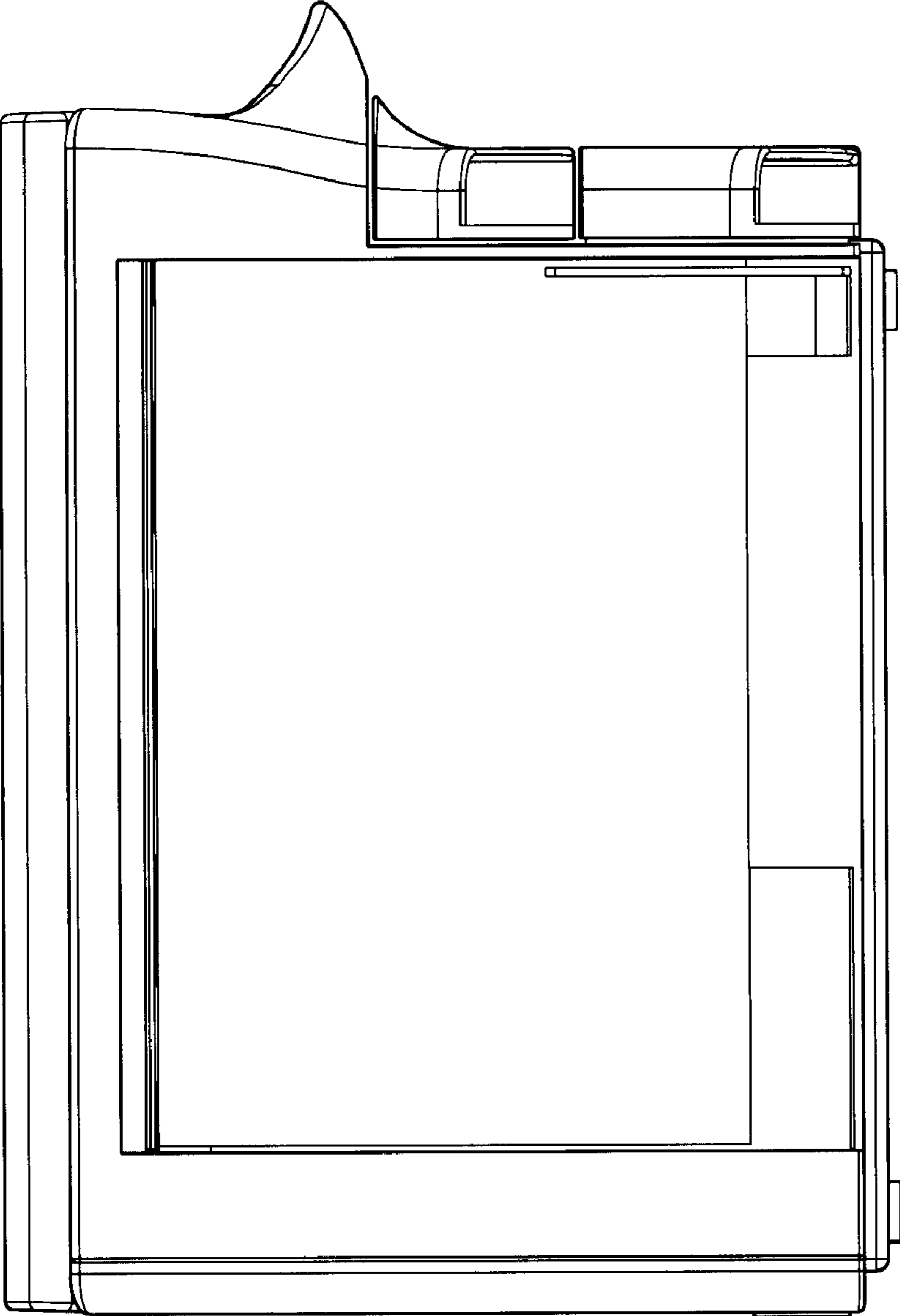


FIG. 6

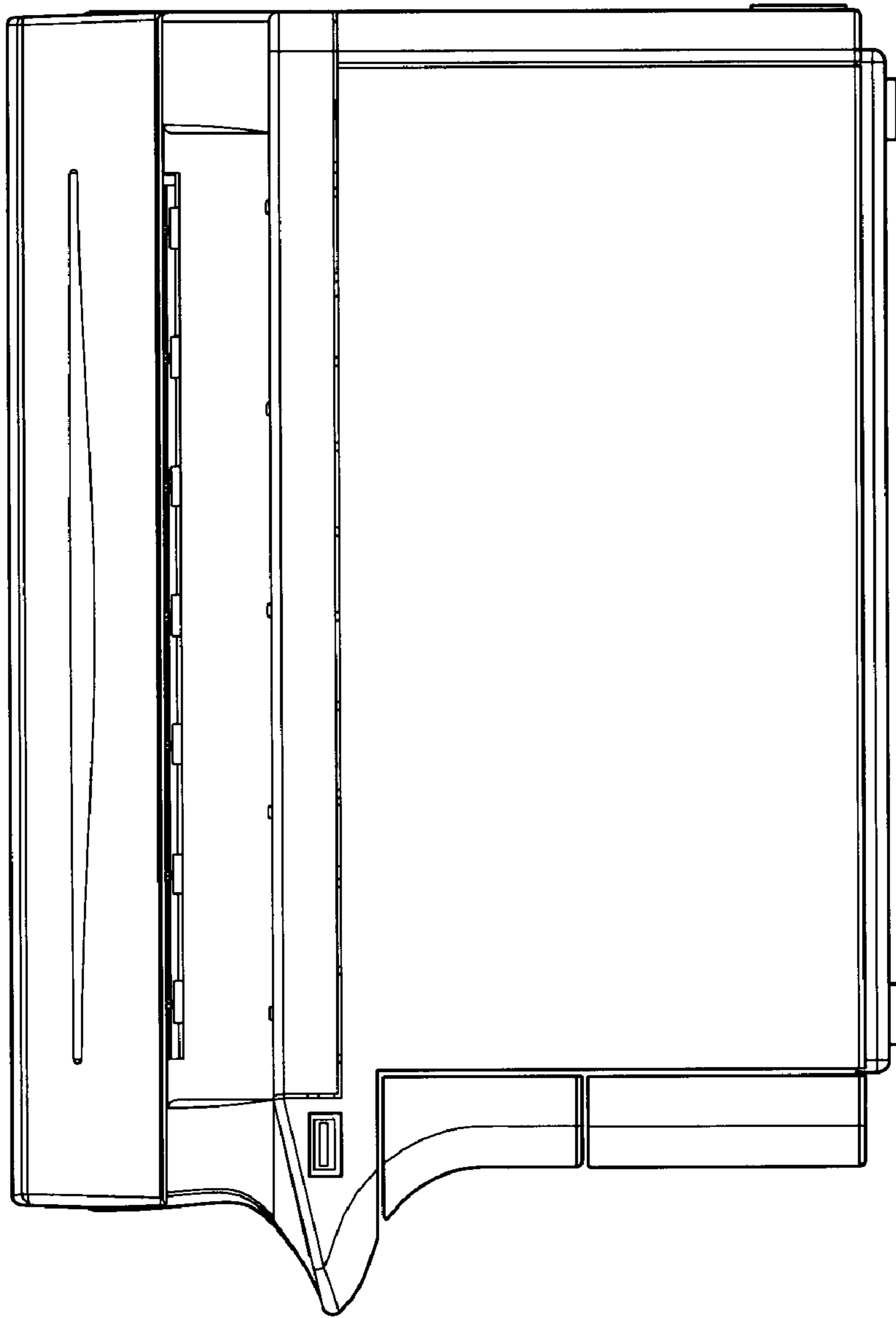


FIG. 7



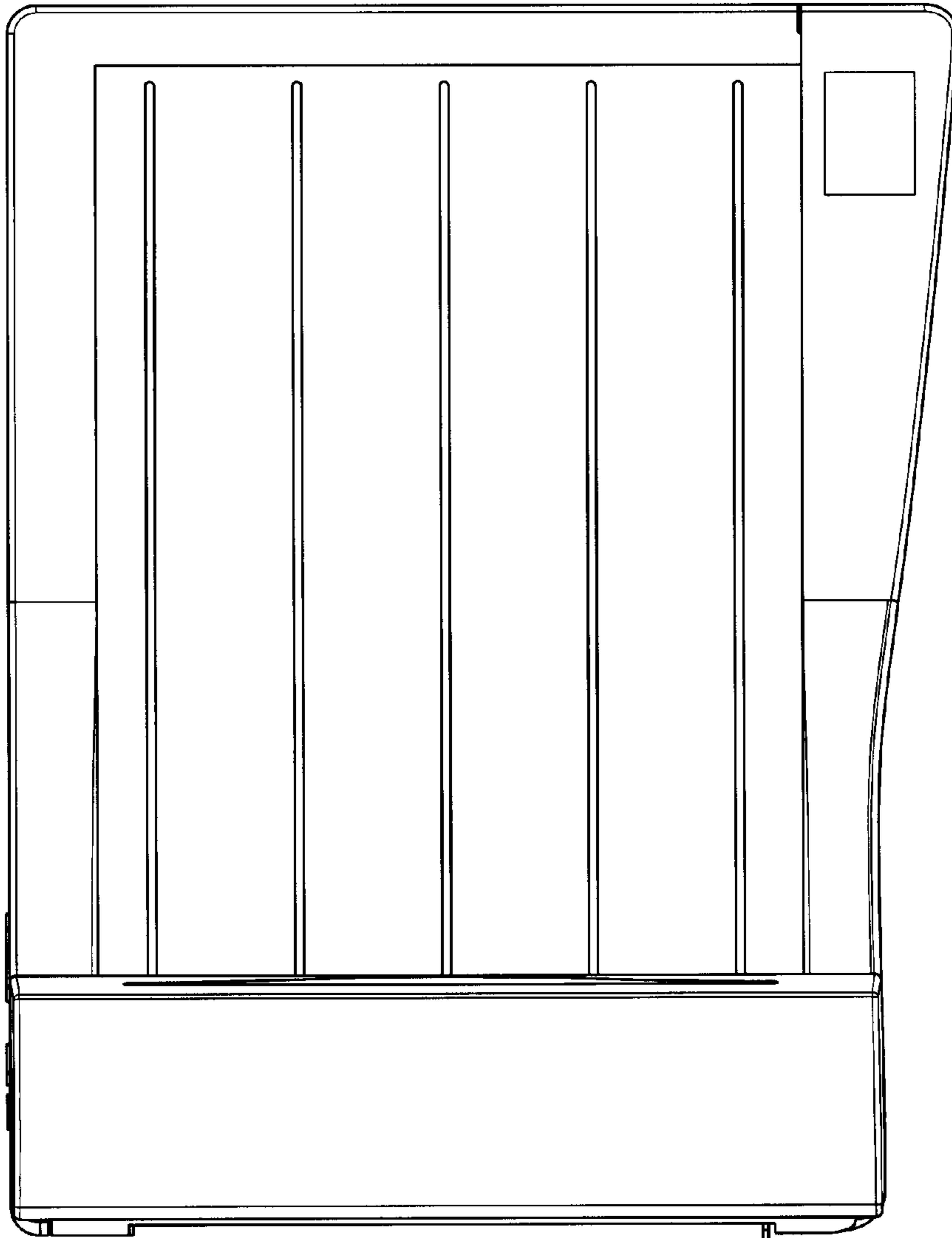


FIG. 8

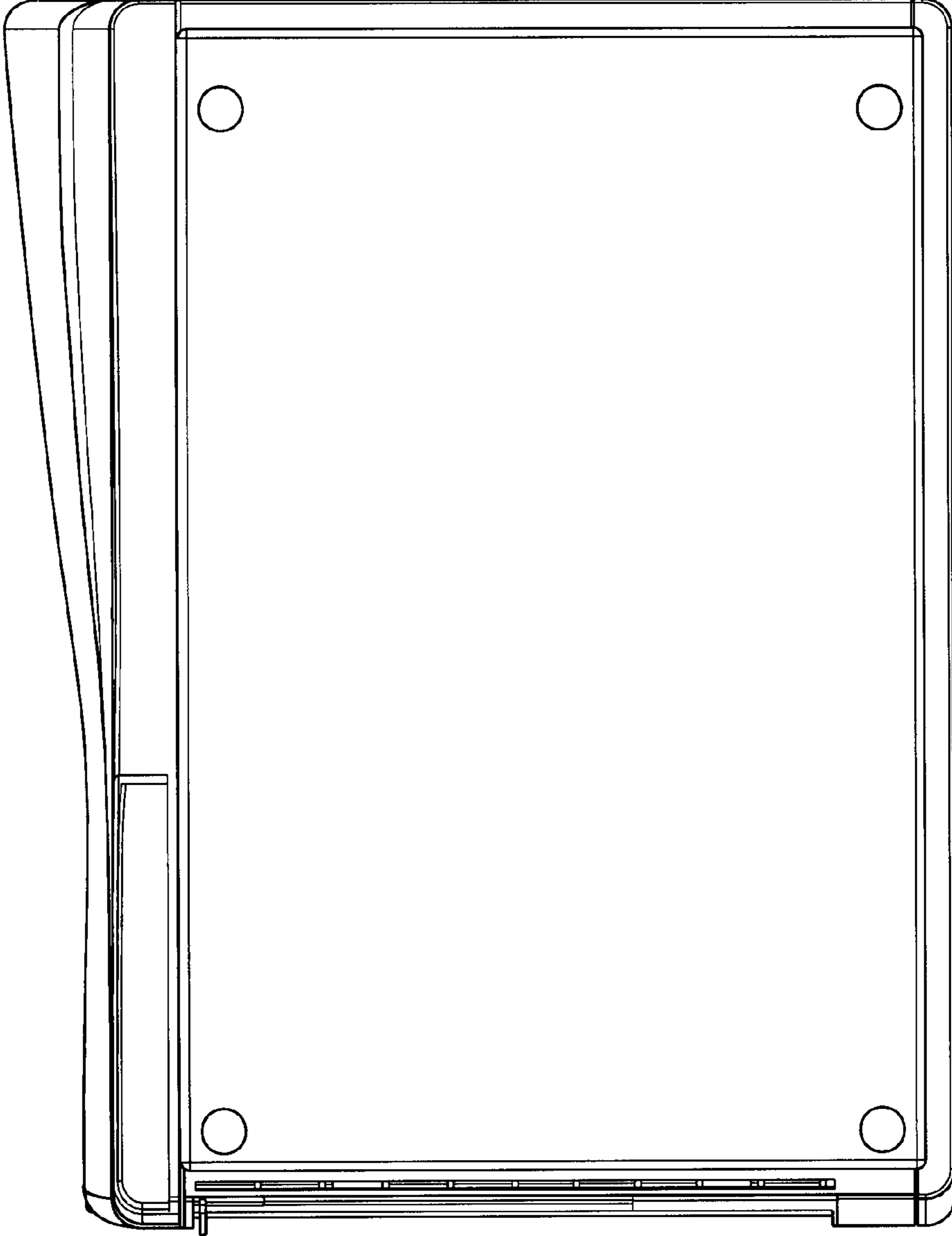


FIG. 9

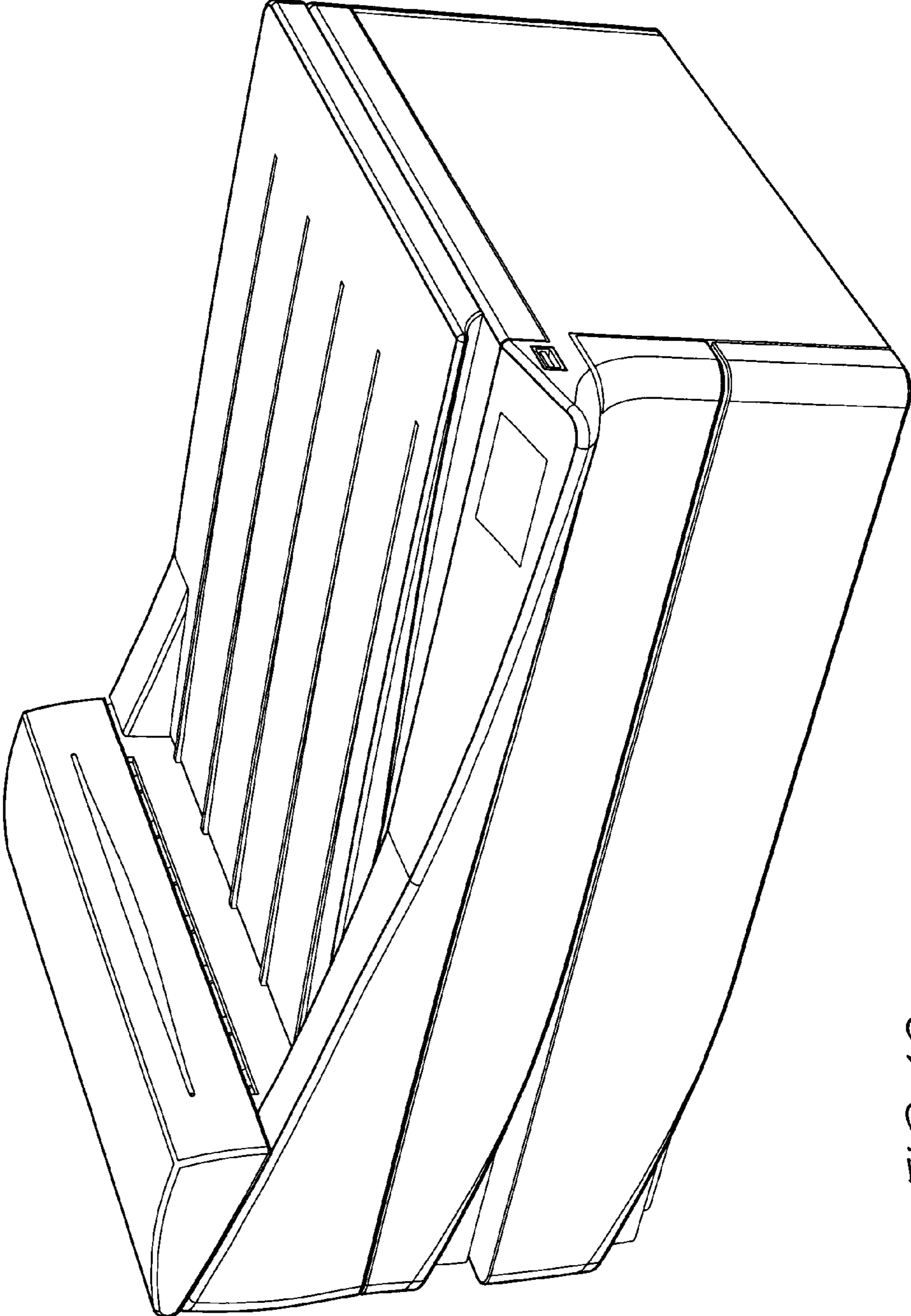


FIG. 10