



US00D529077S

(12) **United States Design Patent**
Takahashi et al.

(10) **Patent No.:** **US D529,077 S**

(45) **Date of Patent:** **** Sep. 26, 2006**

(54) **FRONT PANEL PORTION OF A PAPER FEED CASSETTE**

(75) Inventors: **Noriaki Takahashi**, Tokyo (JP);
Takanori Kanda, Hino (JP); **Daisuke Ueda**, Hachioji (JP); **Takanobu Ohba**, Tokyo (JP)

(73) Assignee: **Konica Minolta Business Technologies, Inc.**, Tokyo (JP)

(**) Term: **14 Years**

(21) Appl. No.: **29/224,746**

(22) Filed: **Mar. 8, 2005**

(30) **Foreign Application Priority Data**

Sep. 8, 2004 (JP) 2004-027321
Sep. 8, 2004 (JP) 2004-027324
Sep. 8, 2004 (JP) 2004-027325

(51) **LOC (8) Cl.** **18-99**

(52) **U.S. Cl.** **D18/49**; D18/40

(58) **Field of Classification Search** D18/36-41,
D18/43-49, 56, 462-471; 222/DIG. 1; 355/97,
355/112; 399/16-23, 361, 363, 381-384,
399/388-391, 393; 271/3.02, 3.08, 18, 145,
271/160, 171, 226, 241, 264
See application file for complete search history.

(56) **References Cited**

U.S. PATENT DOCUMENTS

D280,629 S * 9/1985 Goto et al. D18/38

D284,386 S * 6/1986 Saito D18/37
D286,786 S * 11/1986 Serbinski et al. D18/37
D328,757 S * 8/1992 Katada D18/44
D350,767 S * 9/1994 Kojima et al. D18/38
D366,896 S * 2/1996 Isomoto et al. D18/39
D413,350 S * 8/1999 Sanaka D18/44
D425,931 S * 5/2000 Brown et al. D18/44
D428,914 S * 8/2000 Kabumoto et al. D18/39
D439,605 S 3/2001 Ichi et al.
D443,886 S * 6/2001 Kabumoto et al. D18/39
D458,958 S * 6/2002 Agata D18/39

* cited by examiner

Primary Examiner—Caron Veynar

Assistant Examiner—Garth Rademaker

(74) *Attorney, Agent, or Firm*—Buchanan Ingersoll PC.

(57) **CLAIM**

The ornamental design for a front panel portion of a paper feed cassette, as shown and described.

DESCRIPTION

FIG. 1 is a perspective view of a front panel portion of a paper feed cassette showing our new design; FIG. 2 is a front elevational view thereof; FIG. 3 is a rear elevational view thereof; FIG. 4 is a top plan view thereof; FIG. 5 is a bottom plan view thereof; and, FIG. 6 is a right side elevational view thereof, the left side elevational view being a mirror image thereof. The broken line showing in the figures is for illustrational purposes only and forms no part of the claimed design.

1 Claim, 5 Drawing Sheets

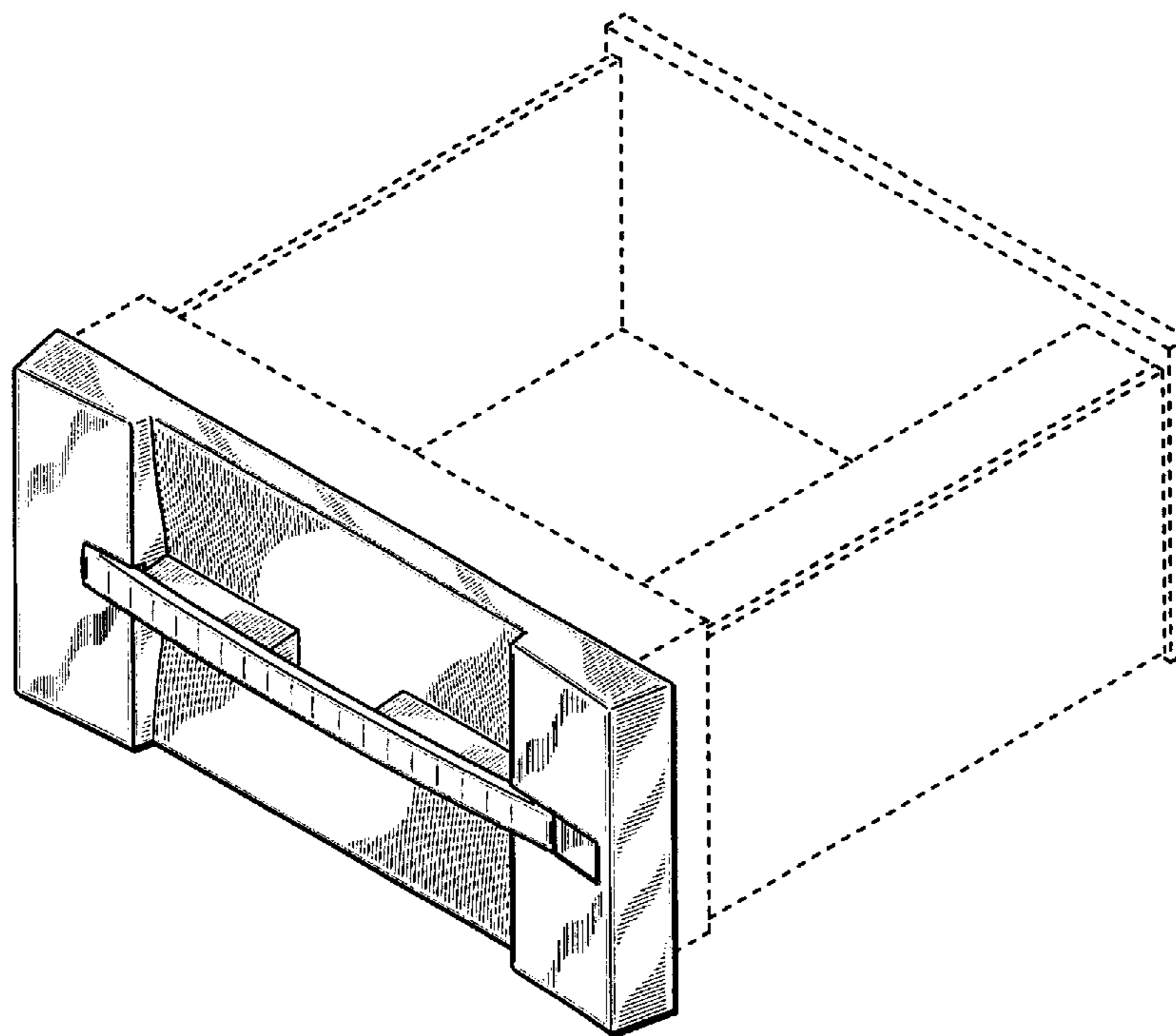


Fig. 1

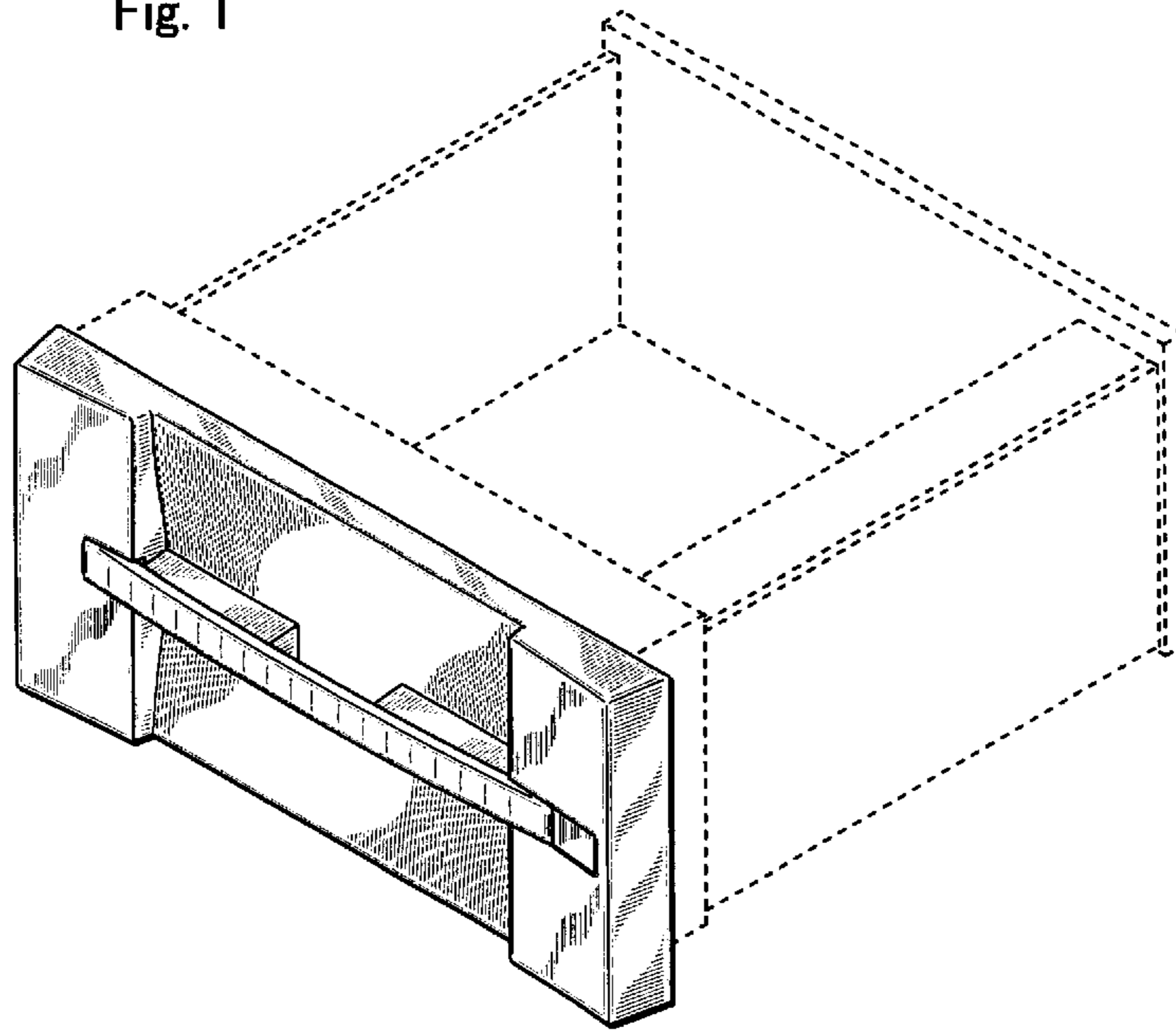


Fig. 2

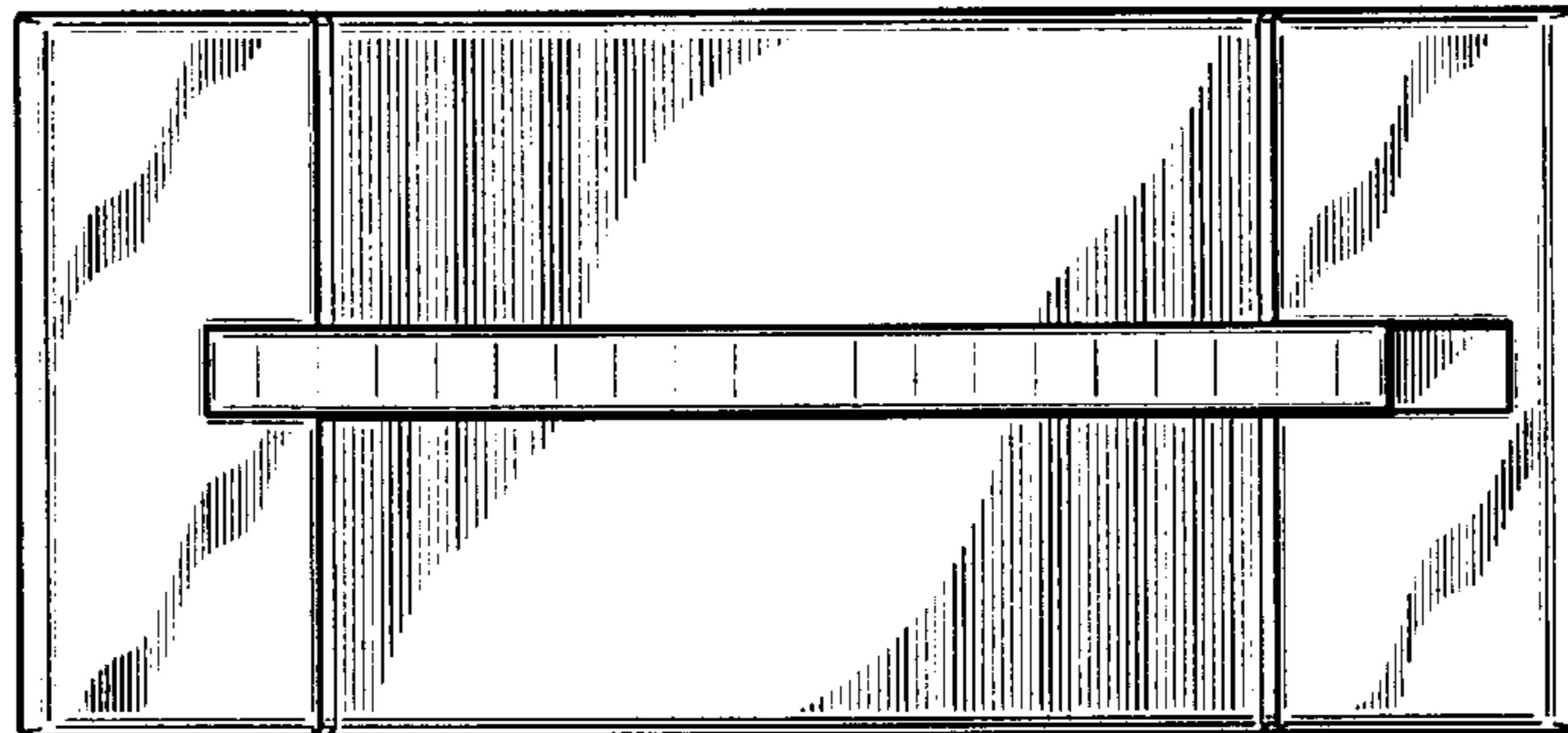


Fig. 3

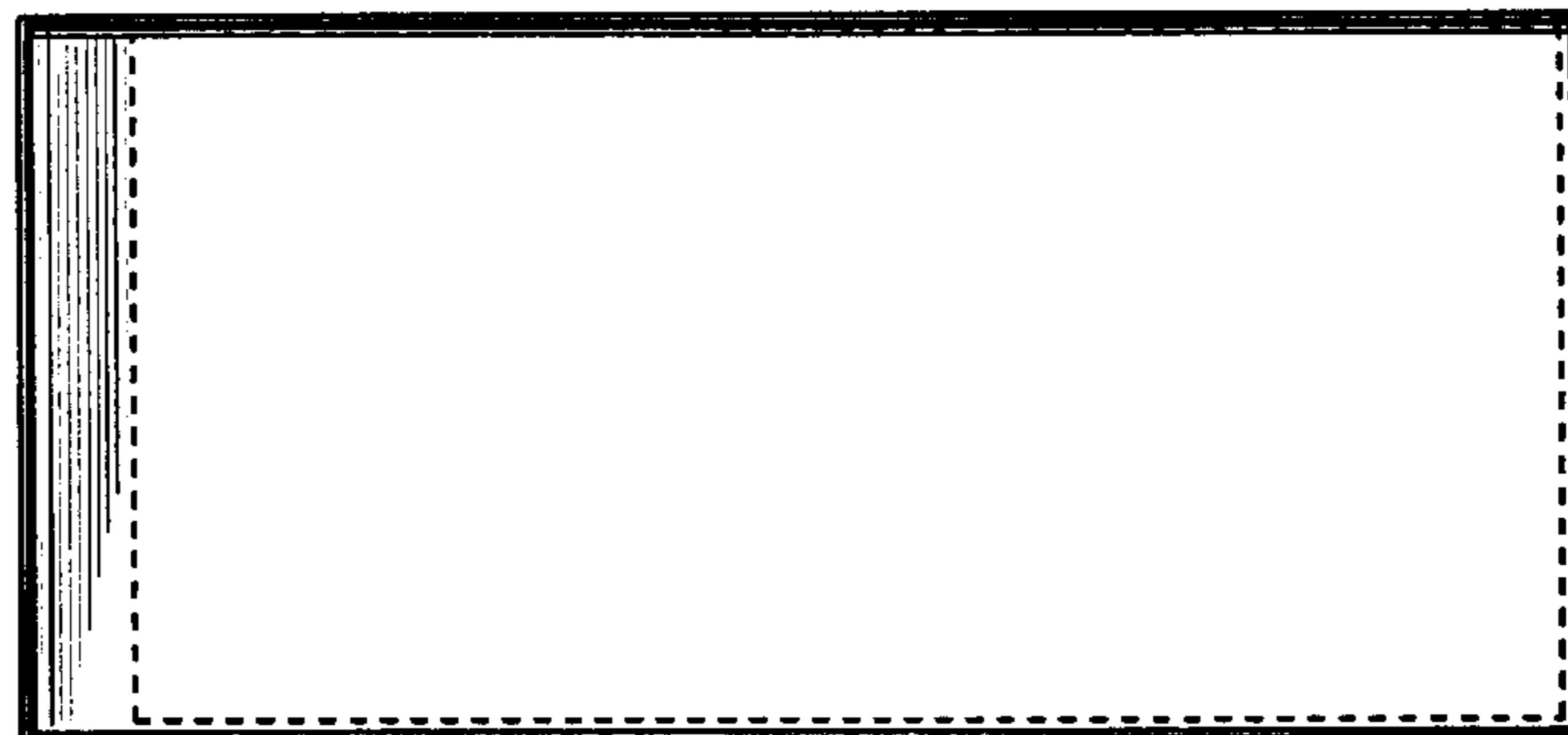


Fig. 4

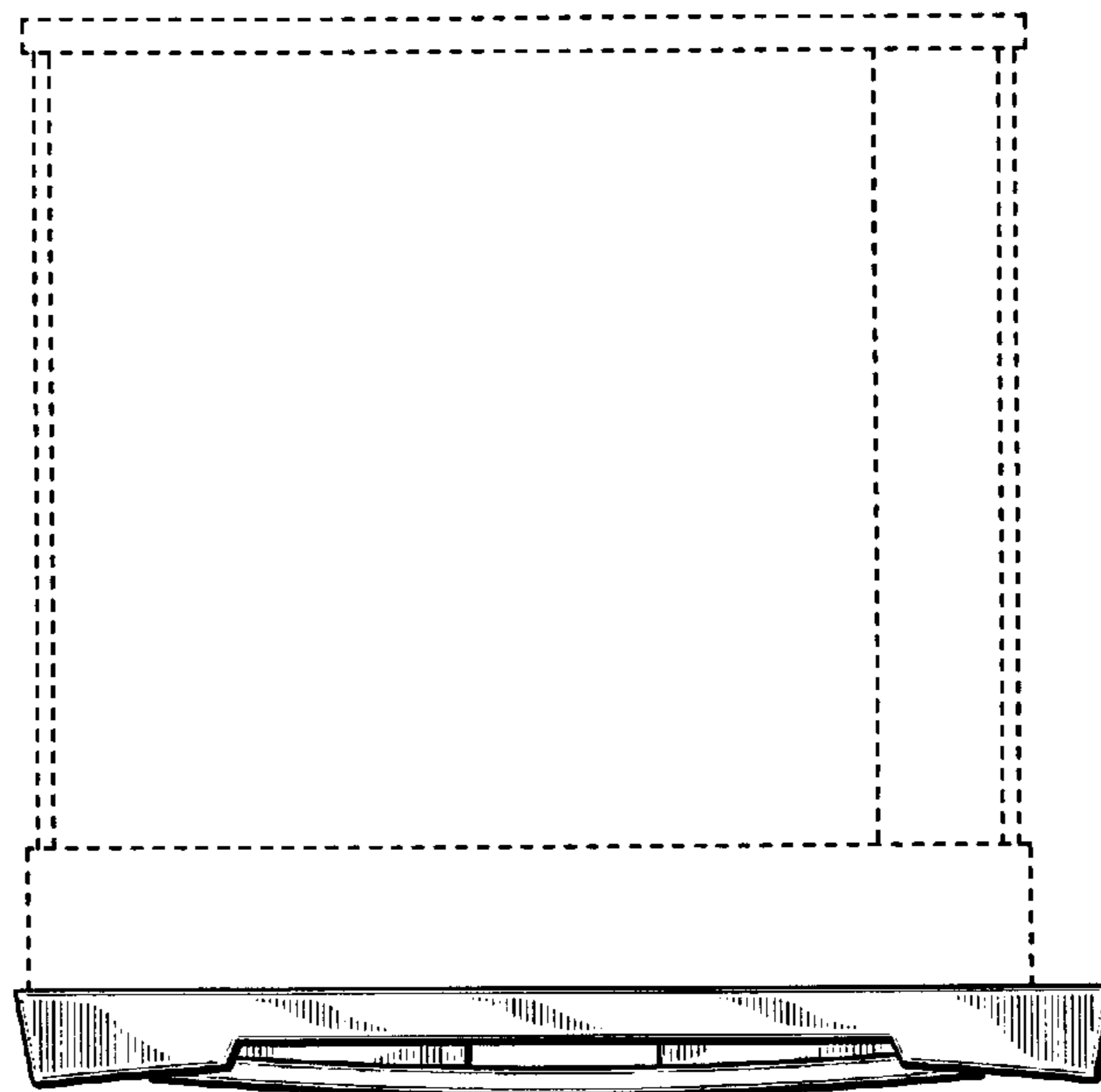


Fig. 5

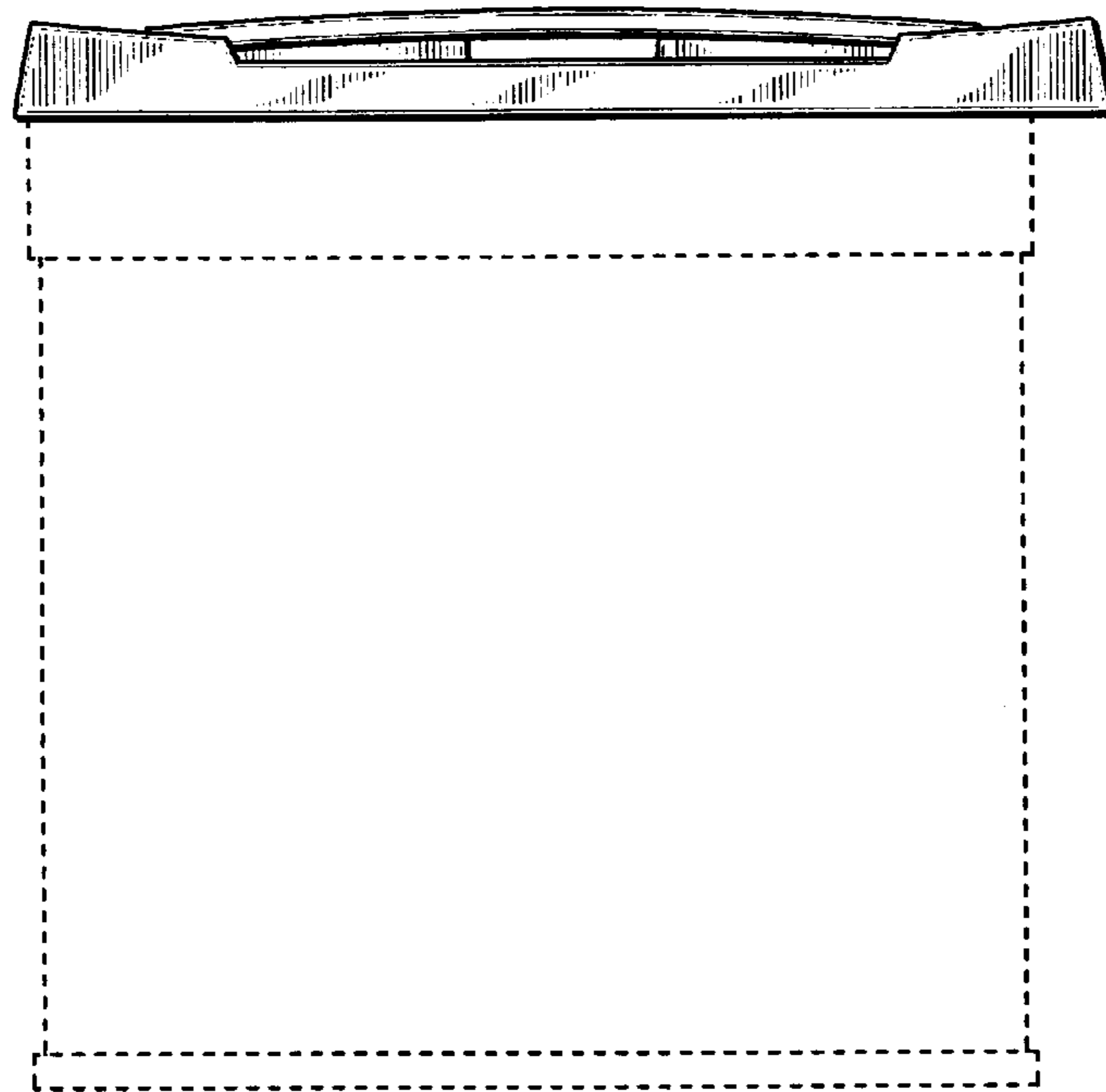


Fig. 6

