



US00D529076S

(12) **United States Design Patent**
Kobayashi et al.

(10) **Patent No.:** **US D529,076 S**

(45) **Date of Patent:** **** Sep. 26, 2006**

(54) **IMAGE DRUM CARTRIDGE**

(75) Inventors: **Atsushi Kobayashi**, Tokyo (JP);
Shigenori Koido, Tokyo (JP);
Masayuki Suzuki, Tokyo (JP); **Yasushi Nakasone**, Tokyo (JP); **Tetsuji Kojima**, Tokyo (JP); **Tetsu Koyama**, Tokyo (JP); **Shinichi Otani**, Tokyo (JP); **Takanori Mimura**, Tokyo (JP)

(73) Assignee: **Oki Data Corporation**, Tokyo (JP)

(**) Term: **14 Years**

(21) Appl. No.: **29/232,693**

(22) Filed: **Jun. 21, 2005**

(30) **Foreign Application Priority Data**

Jan. 6, 2005 (JP) 2005-000095

(51) **LOC (8) Cl.** **16-03**

(52) **U.S. Cl.** **D18/43**

(58) **Field of Classification Search** D18/12,
D18/36, 40, 43, 44, 56; D14/462, 469-471;
222/DIG. 1; 347/197, 222; 399/24-28, 107-112,
399/119, 121, 122, 222-224; 400/207, 208
See application file for complete search history.

(56) **References Cited**

U.S. PATENT DOCUMENTS

D310,539 S * 9/1990 Komada et al. D18/40
5,283,613 A * 2/1994 Midgley, Sr. 399/111

5,634,178 A * 5/1997 Sugiura et al. 399/110
5,784,671 A * 7/1998 Damji et al. 399/110
6,011,941 A * 1/2000 Takashima et al. 399/111
6,169,865 B1 * 1/2001 Miyabe et al. 399/111
6,272,299 B1 * 8/2001 Numagami et al. 399/111
D462,379 S * 9/2002 Ito et al. D18/40
D468,763 S * 1/2003 Kunihiro et al. D18/40
6,560,430 B1 * 5/2003 Muto et al. 399/255
D478,616 S * 8/2003 Fujita et al. D18/43
D501,020 S * 1/2005 Otani et al. D18/40
2006/0051126 A1 * 3/2006 Kweon 399/111

* cited by examiner

Primary Examiner—Caron D. Veynar

Assistant Examiner—Garth Rademaker

(74) *Attorney, Agent, or Firm*—Ladas and Parry LLP

(57) **CLAIM**

We claim the ornamental design for image drum cartridge, as shown.

DESCRIPTION

FIG. 1 is a front elevational view of an image drum cartridge showing the new design;
FIG. 2 is a rear elevational view thereof;
FIG. 3 is a left side elevational view thereof;
FIG. 4 is a right side elevational view thereof;
FIG. 5 is a top plan view thereof;
FIG. 6 is a bottom plan view thereof;
FIG. 7 is a top and right side perspective view thereof; and,
FIG. 8 is a bottom and left side perspective view thereof.

1 Claim, 4 Drawing Sheets

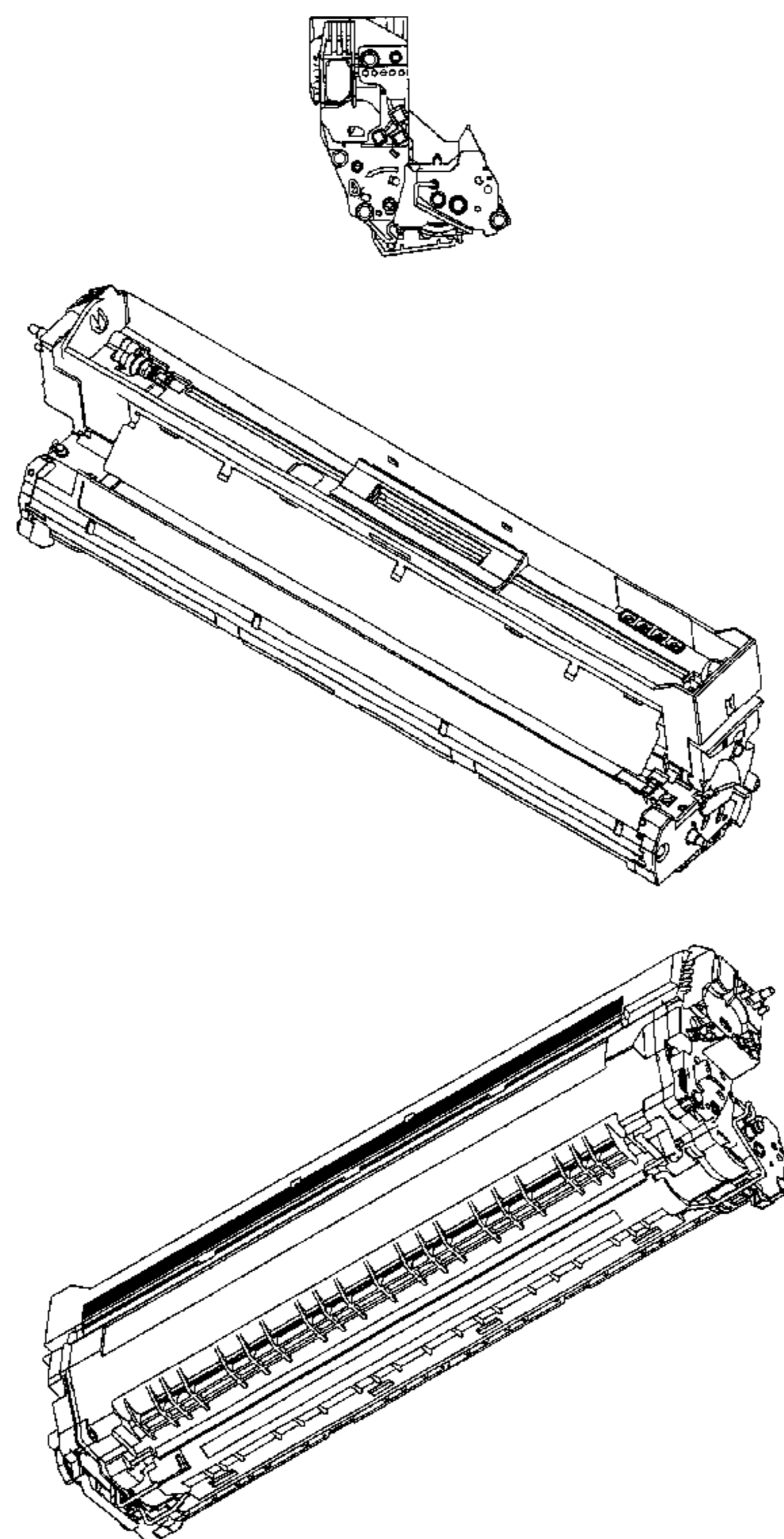


FIG. 1

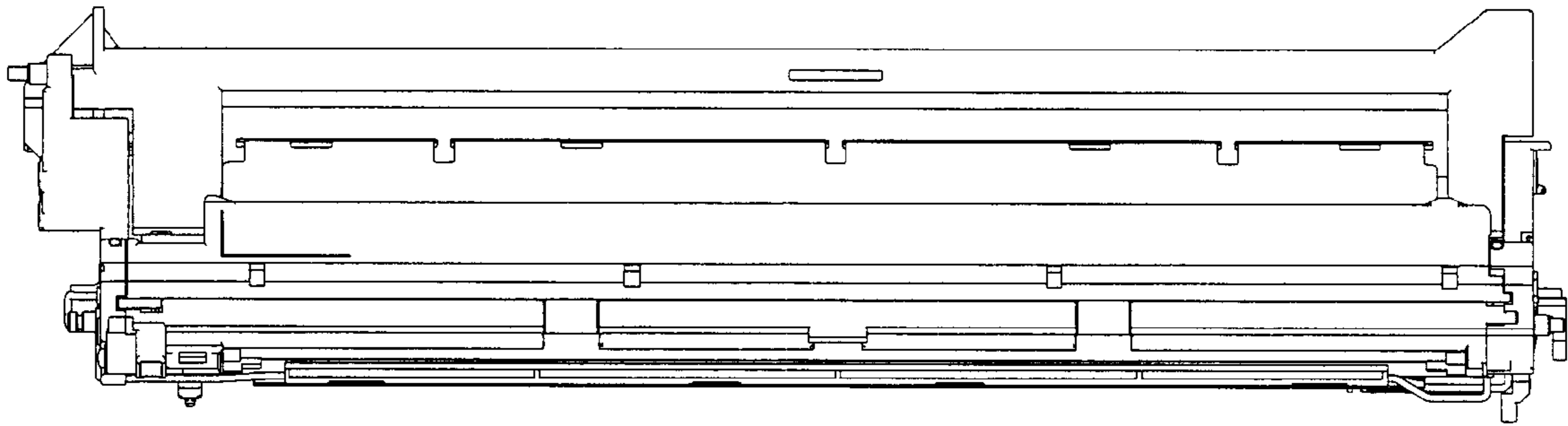


FIG. 2

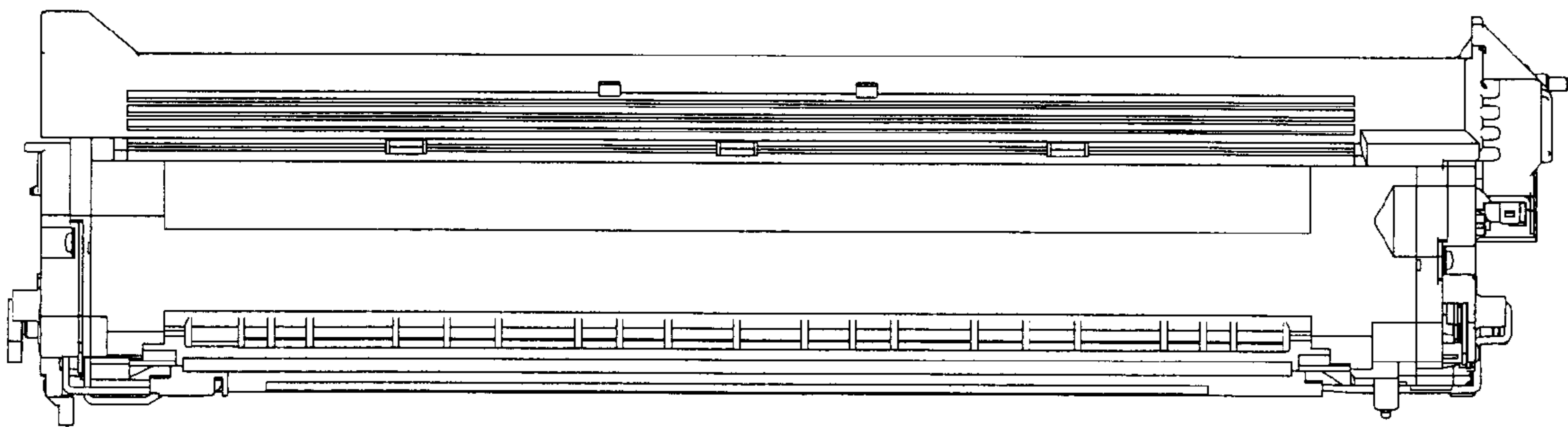


FIG. 3

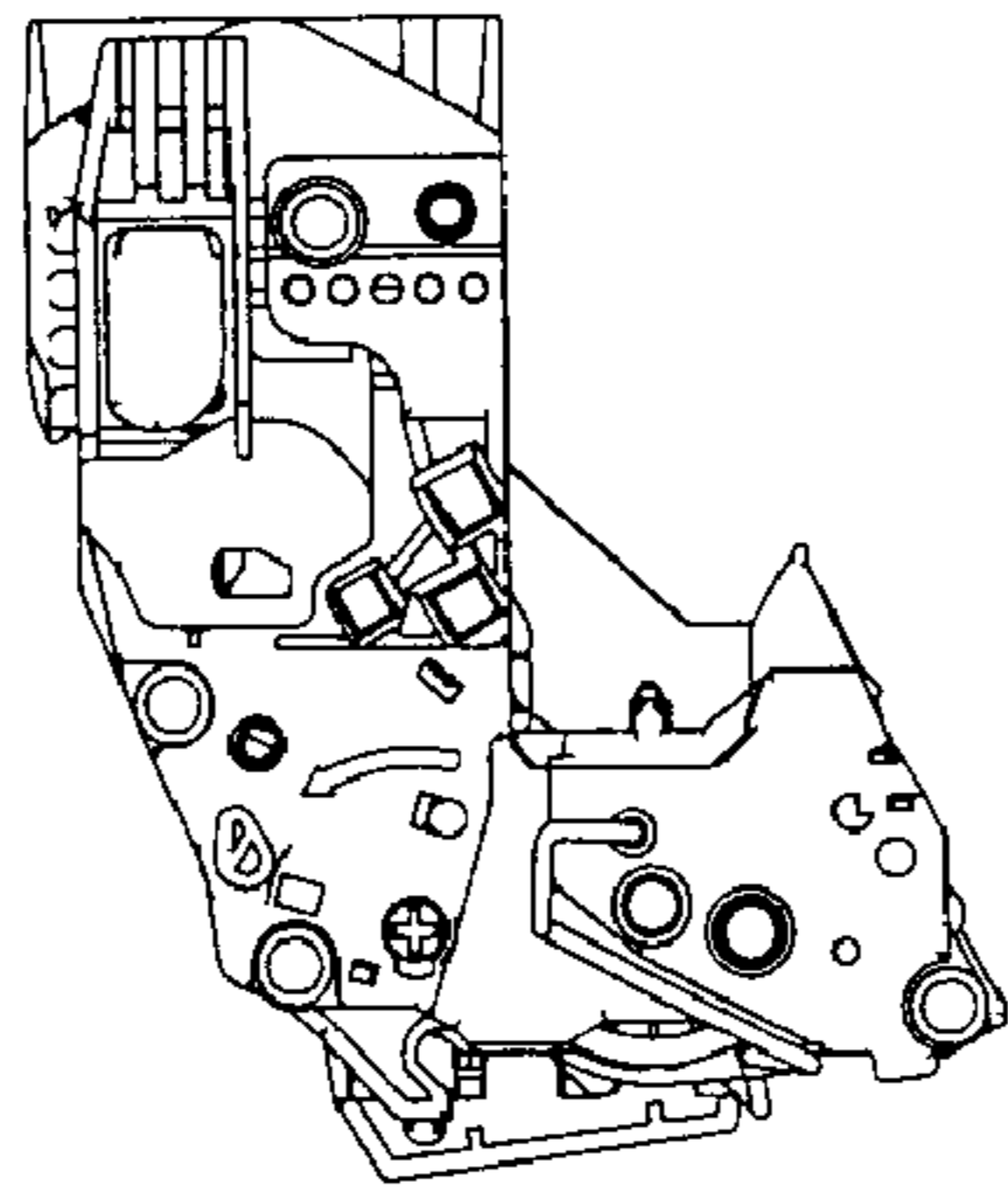


FIG. 4

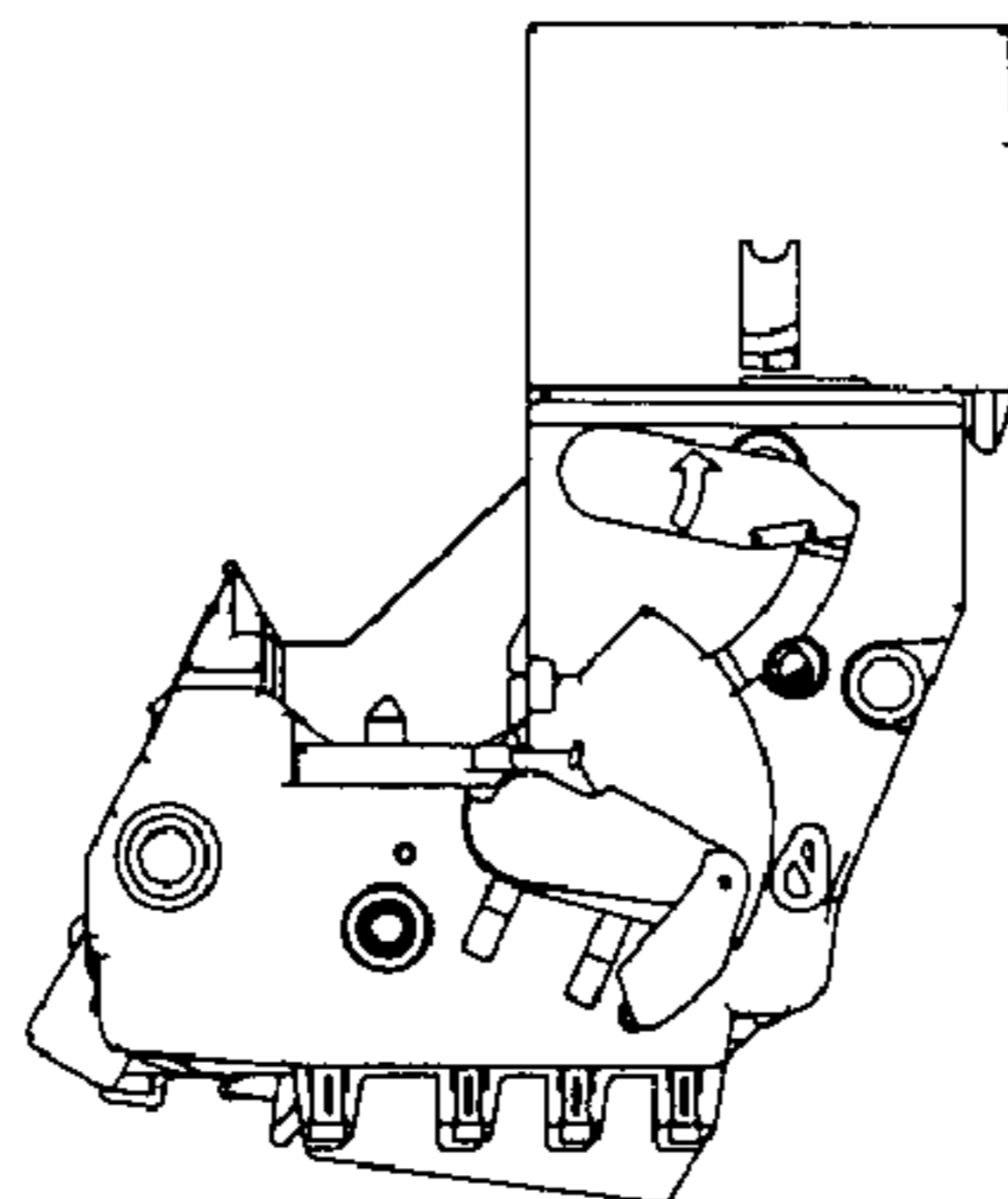


FIG. 5

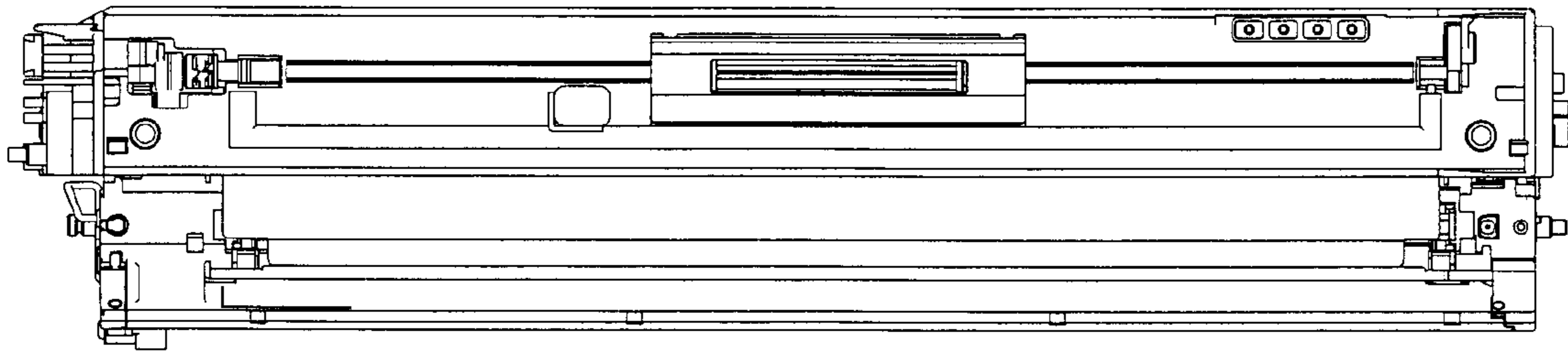


FIG. 6

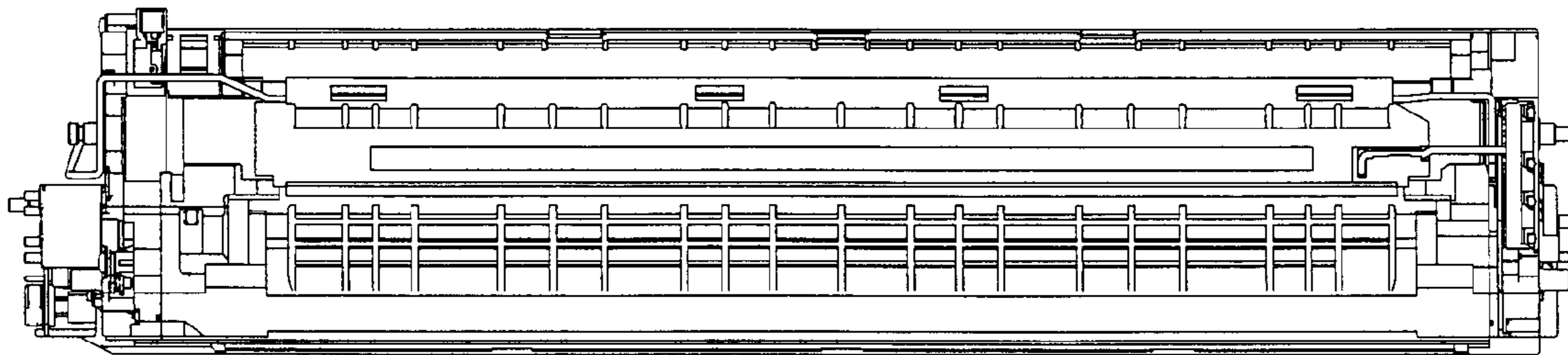


FIG. 7

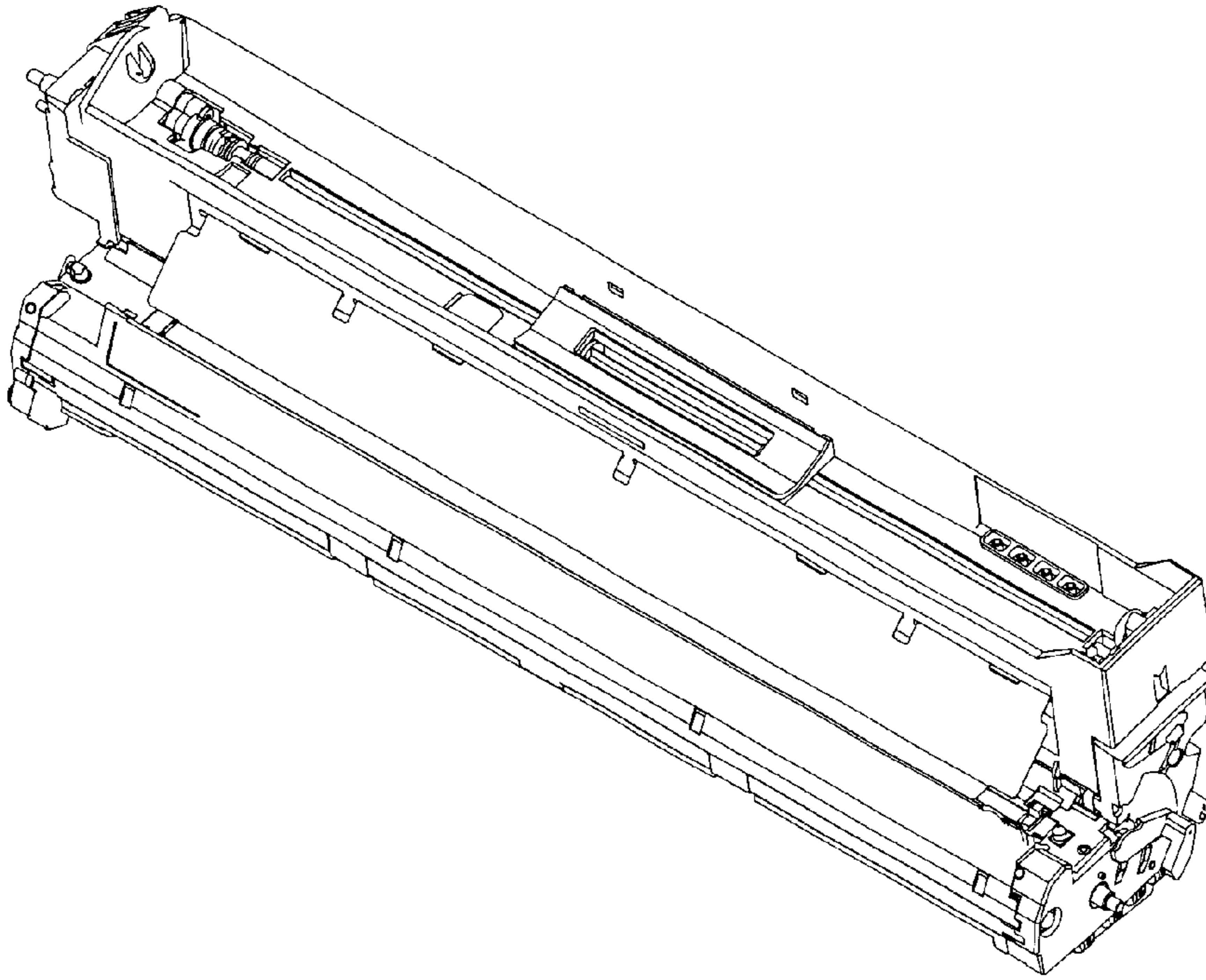


FIG. 8

