

US00D529075S

(12) **United States Design Patent**
Arakawa

(10) **Patent No.:** **US D529,075 S**
(45) **Date of Patent:** **** Sep. 26, 2006**

- (54) **DEVELOPER FIXING UNIT**
- (75) Inventor: **Osamu Arakawa**, Kyoto (JP)
- (73) Assignee: **Murata Kikai Kabushiki Kaisha**,
Kyoto (JP)
- (**) Term: **14 Years**
- (21) Appl. No.: **29/213,013**
- (22) Filed: **Sep. 10, 2004**
- (30) **Foreign Application Priority Data**
Mar. 15, 2004 (JP) 2004-007620
- (51) **LOC (8) Cl.** **16-03**
- (52) **U.S. Cl.** **D18/43**
- (58) **Field of Classification Search** D18/12,
D18/36, 40, 43, 44, 56; D14/462, 469, 470,
D14/471; 222/DIG. 1; 347/197, 222; 399/24-28,
399/107-112, 119, 121, 122, 222-224; 400/207,
400/208
See application file for complete search history.

JP	D1099881	2/2001
JP	D1120834	9/2001
JP	D1134624	2/2002
JP	D1134625	2/2002
JP	D1137127	3/2002
JP	D1149603	8/2002
JP	D1153194	9/2002
JP	D1153207	9/2002
JP	D1153694	9/2002
JP	D1153721	9/2002
JP	D1166763	3/2003
JP	D1192394	12/2003
JP	D1200324	3/2004
JP	D1200502	3/2004
JP	D1201650	4/2004
JP	D1201653	4/2004

* cited by examiner

Primary Examiner—Cathron C. Brooks
Assistant Examiner—Garth Rademaker
(74) *Attorney, Agent, or Firm*—Hogan & Hartson LLP

(57) **CLAIM**

The ornamental design for a developer fixing unit, as shown.

DESCRIPTION

This article is a developer fixing unit for a facsimile, a copier, a scanner, or a printer or a data processing machine of any combination thereof.
FIG. 1 is a perspective view of a developer fixing unit of the present invention;
FIG. 2 is another perspective view thereof;
FIG. 3 is a front view thereof;
FIG. 4 is a rear view thereof;
FIG. 5 is a top plan view thereof;
FIG. 6 is a bottom plan view thereof;
FIG. 7 is a right side elevational view thereof; and,
FIG. 8 is a left side elevational view thereof.

1 Claim, 3 Drawing Sheets

- (56) **References Cited**
- U.S. PATENT DOCUMENTS
- 6,044,235 A * 3/2000 Hashimoto 399/111
- 6,097,906 A * 8/2000 Matsuzaki et al. 399/111
- 6,343,192 B1 * 1/2002 Miyabe et al. 399/119
- 6,950,618 B1 * 9/2005 Shimizu et al. 399/110
- 2004/0240893 A1 * 12/2004 Sato et al. 399/122
- FOREIGN PATENT DOCUMENTS
- JP D1064657 3/2000
- JP D1079578 7/2000
- JP D1080075 7/2000
- JP D1080075-1 7/2000
- JP D1093357 12/2000
- JP D1094127 12/2000

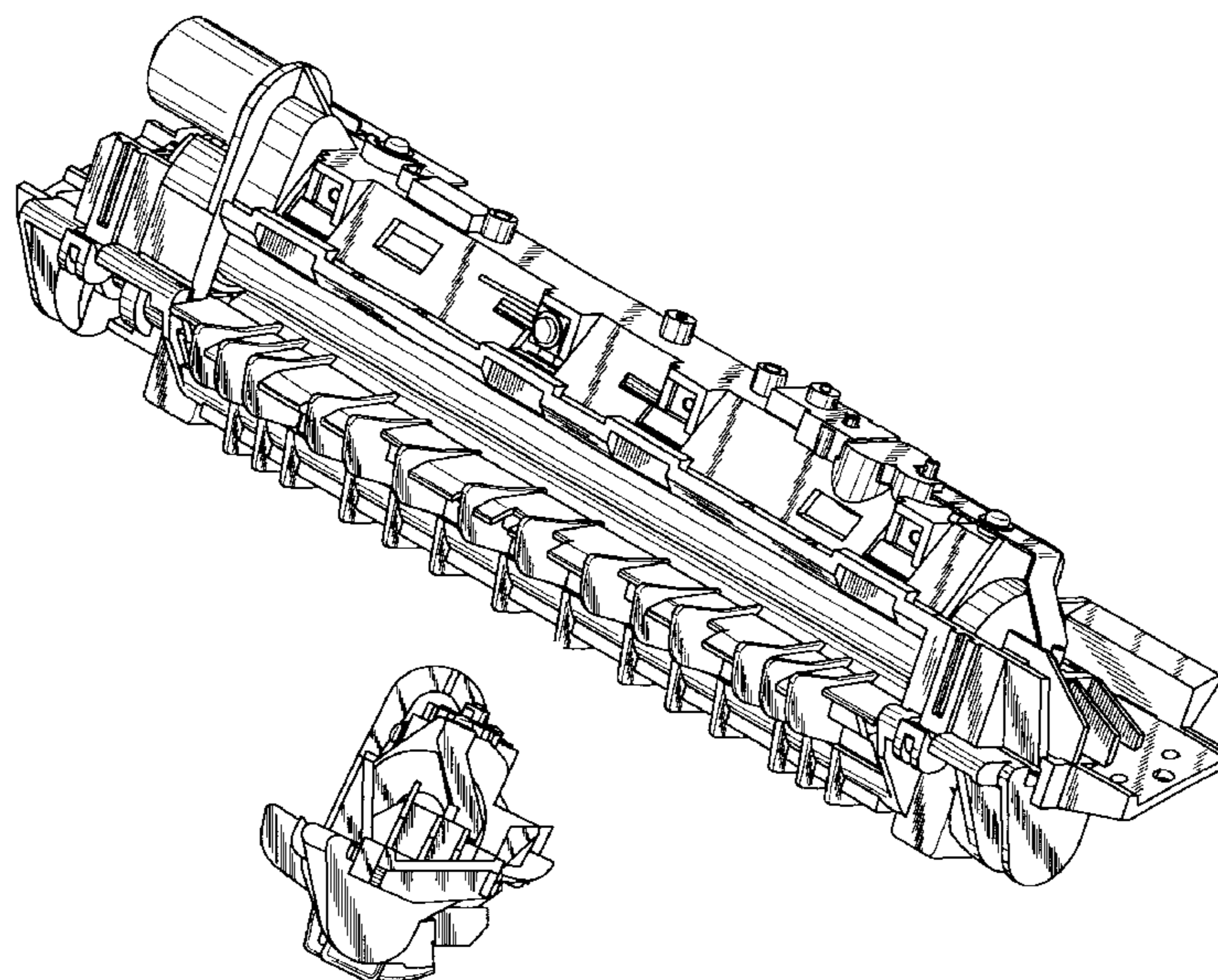


FIG. 1

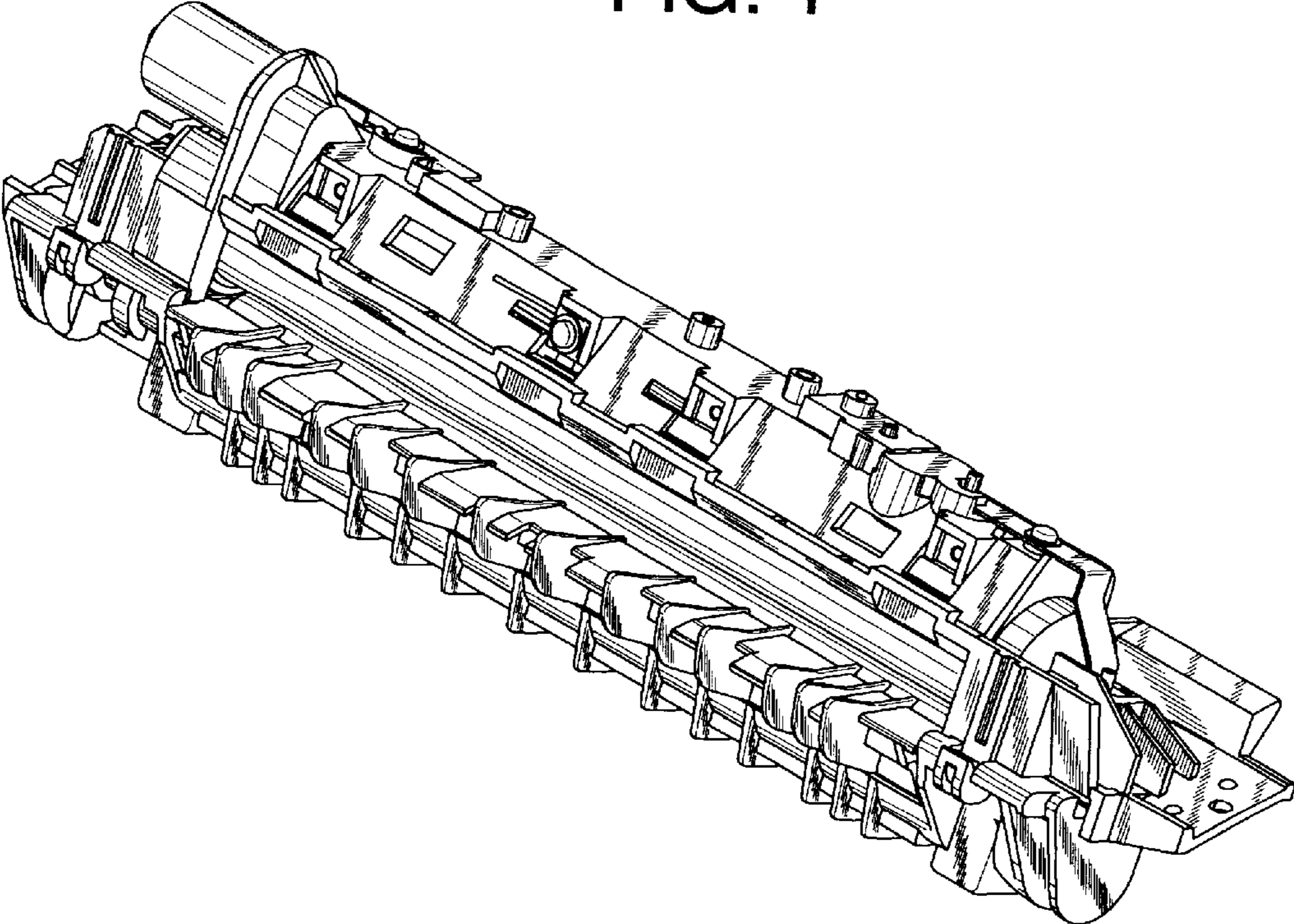


FIG. 2

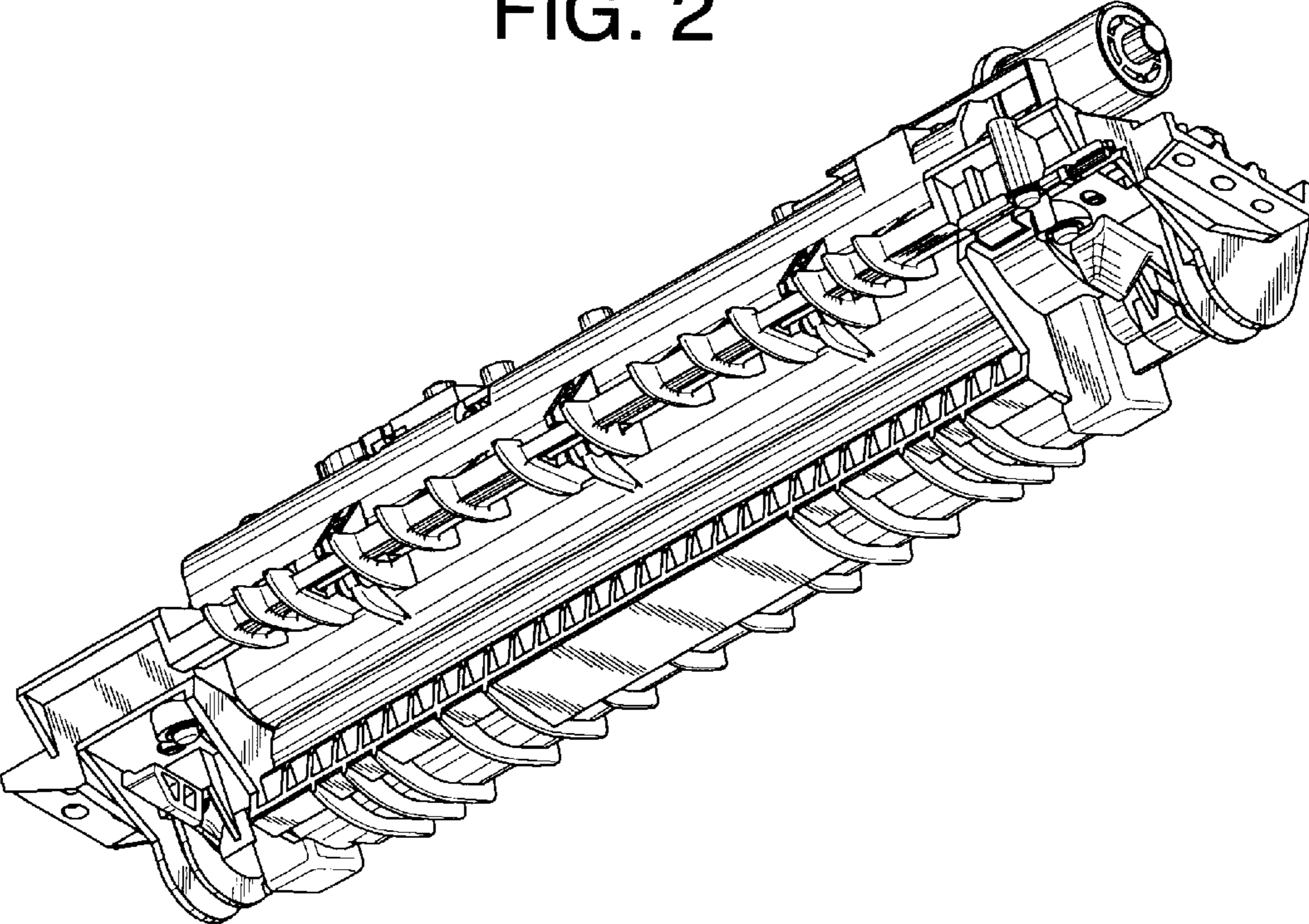


FIG. 3

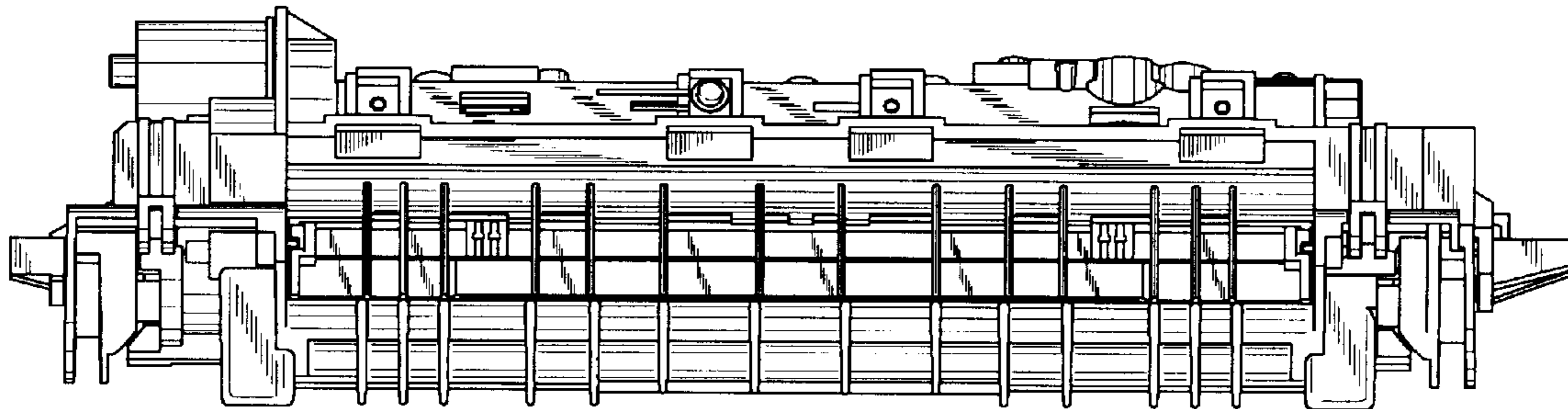


FIG. 4

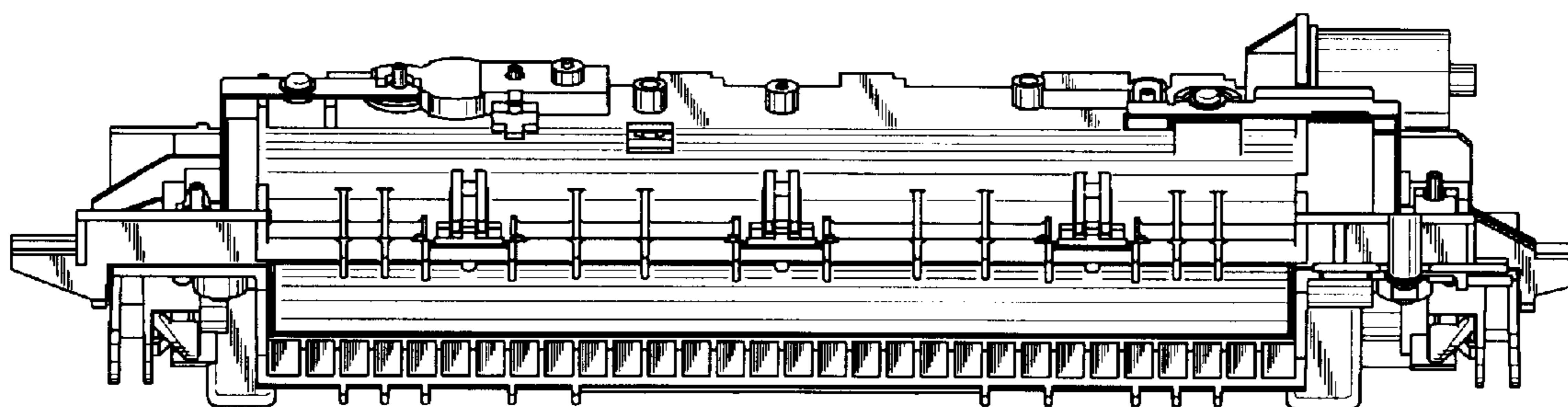


FIG. 5

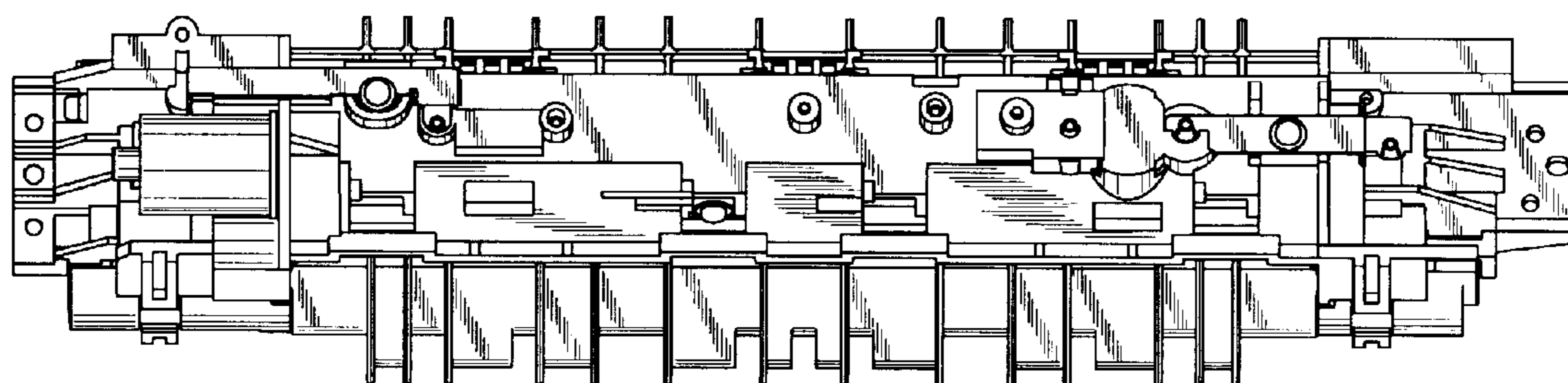


FIG. 6

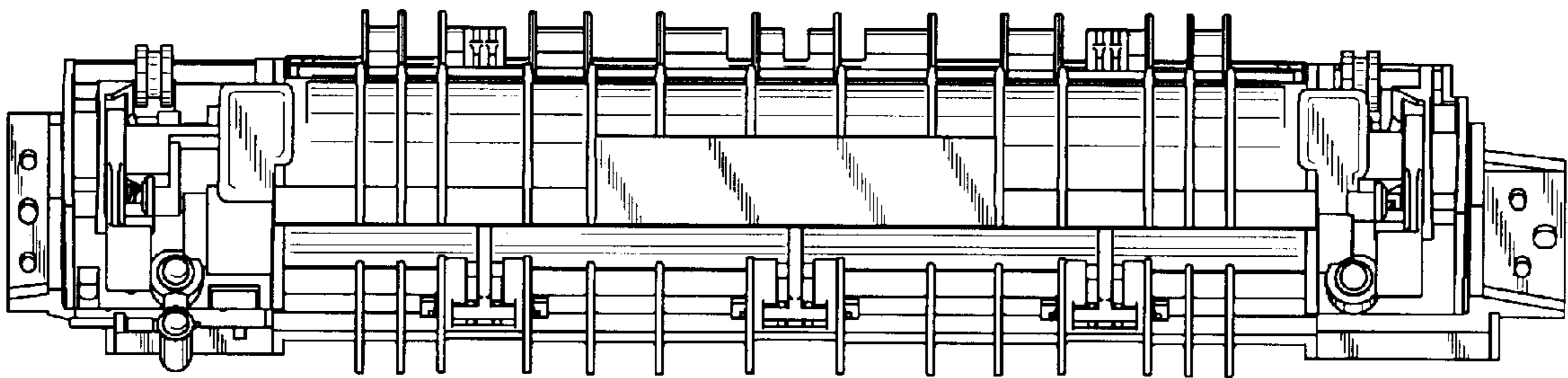


FIG. 7

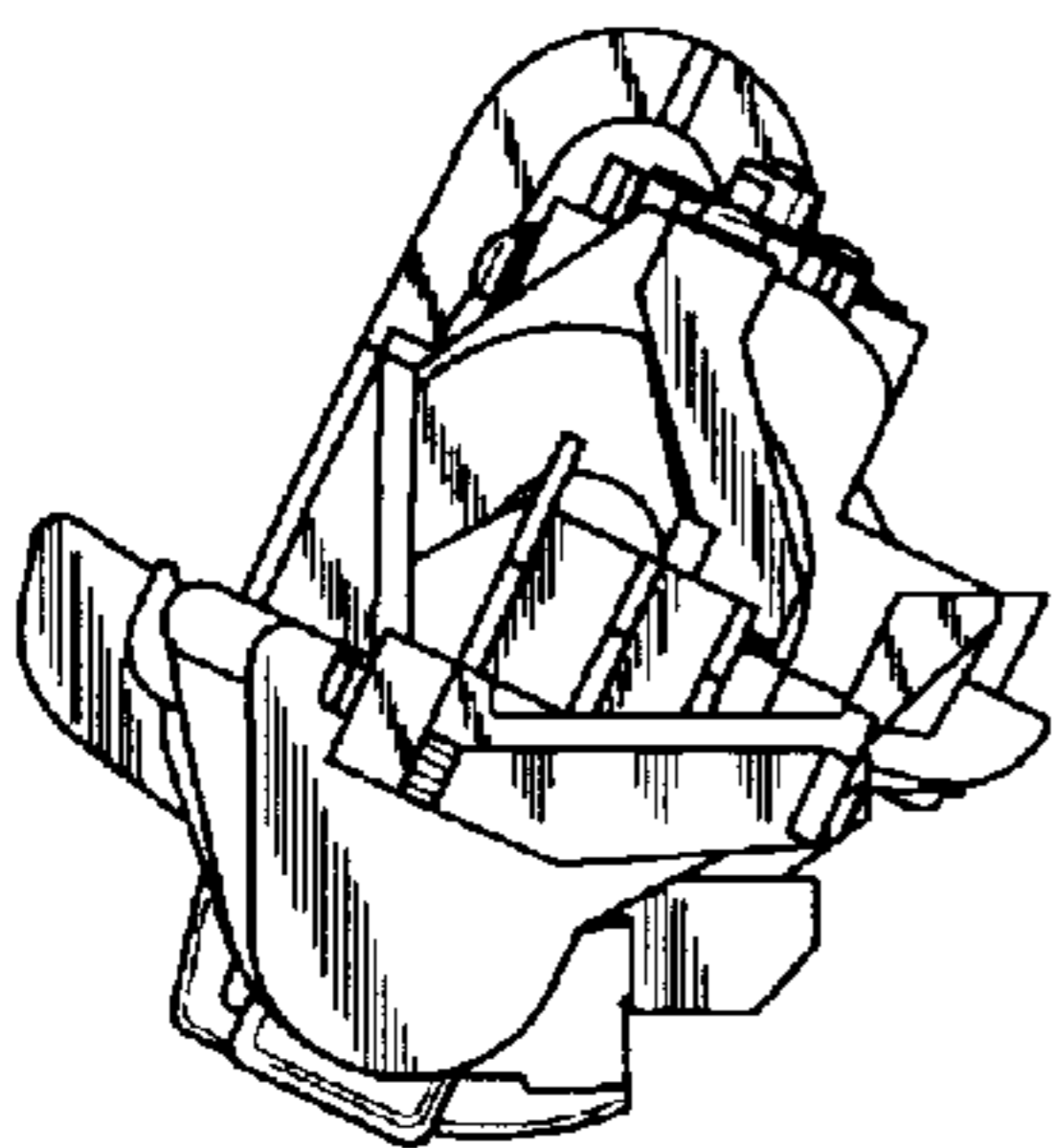


FIG. 8

