



US00D529074S

(12) **United States Design Patent**
Inoue

(10) **Patent No.:** **US D529,074 S**
(45) **Date of Patent:** **** Sep. 26, 2006**

- (54) **OPERATION PANEL**
- (75) Inventor: **Hirokazu Inoue**, Kyoto (JP)
- (73) Assignee: **Murata Kikai Kabushiki Kaisha**,
Kyoto (JP)
- (**) Term: **14 Years**
- (21) Appl. No.: **29/212,739**
- (22) Filed: **Sep. 7, 2004**
- (30) **Foreign Application Priority Data**
 - Mar. 15, 2004 (JP) 2004-007630
 - Mar. 15, 2004 (JP) 2004-007631
- (51) **LOC (8) Cl.** **16-03**
- (52) **U.S. Cl.** **D18/41**
- (58) **Field of Classification Search** D18/36-41,
D18/43-49, 56; 222/DIG. 1; 271/3.14, 8.1,
271/145, 147, 160, 165, 226, 278; 355/97,
355/99, 133; 399/1-7, 35, 75, 81, 82, 99,
399/107, 120, 130, 257, 264, 327, 361, 365,
399/367, 381-383, 388, 393, 405, 411; D14/388,
D14/421, 462-464, 471
See application file for complete search history.

JP	D1079578	7/2000
JP	D1080075	7/2000
JP	D1080075-1	7/2000
JP	D1093357	12/2000
JP	D1094127	12/2000
JP	D1099881	2/2001
JP	D1120834	9/2001
JP	D1134624	2/2002
JP	D1134625	2/2002
JP	D1137127	3/2002
JP	D1149603	8/2002
JP	D1153194	9/2002
JP	D1153207	9/2002
JP	D1153694	9/2002
JP	D1153721	9/2002
JP	D1166763	3/2003
JP	D1192394	12/2003
JP	D1200324	3/2004
JP	D1200502	3/2004
JP	D1201650	4/2004
JP	D1201653	4/2004

- (56) **References Cited**
 - U.S. PATENT DOCUMENTS
 - D350,972 S * 9/1994 Komada et al. D18/36
 - D380,768 S * 7/1997 Agata D18/38
 - D386,517 S * 11/1997 Takahashi et al. D18/39
 - 5,950,045 A * 9/1999 Nomura et al. 399/81
 - D431,594 S * 10/2000 Watanabe et al. D18/41
 - D451,123 S * 11/2001 Isogai et al. D18/36
 - D453,181 S * 1/2002 Shimamura D18/38
 - D483,401 S * 12/2003 LaBarbera D18/39
 - D486,513 S * 2/2004 Ohashi D18/41
 - 6,714,757 B1 * 3/2004 Amagai et al. 399/365
 - D497,943 S * 11/2004 LaBarbera D18/39
 - D502,500 S * 3/2005 Hoshiya et al. D18/36
 - 2004/0184832 A1 * 9/2004 Umetsu 399/81

- FOREIGN PATENT DOCUMENTS
- JP D1064657 3/2000

OTHER PUBLICATIONS

“Multifunctional Network Machine MULTINA α 2520”,
Nihon Kogyo Shimbun (Japan Industrial Newspaper), May
15, 2003, page 7.
“WORKIO 150”, Matsushita Denso System Kabushiki Kai-
sha.
* cited by examiner

Primary Examiner—Caron Veynar
Assistant Examiner—Garth Rademaker
(74) *Attorney, Agent, or Firm*—Hogan & Hartson LLP

(57) **CLAIM**

The ornamental design for an operation panel, as shown.

DESCRIPTION

FIG. 1 is a perspective view of our design for an operation
panel of the present invention;
FIG. 2 is a front view thereof;
FIG. 3 is a rear view thereof;
FIG. 4 is a top plan view thereof;
FIG. 5 is a bottom plan view thereof;
FIG. 6 is a right side elevational view thereof; and,
FIG. 7 is a left side elevational view thereof.

1 Claim, 3 Drawing Sheets

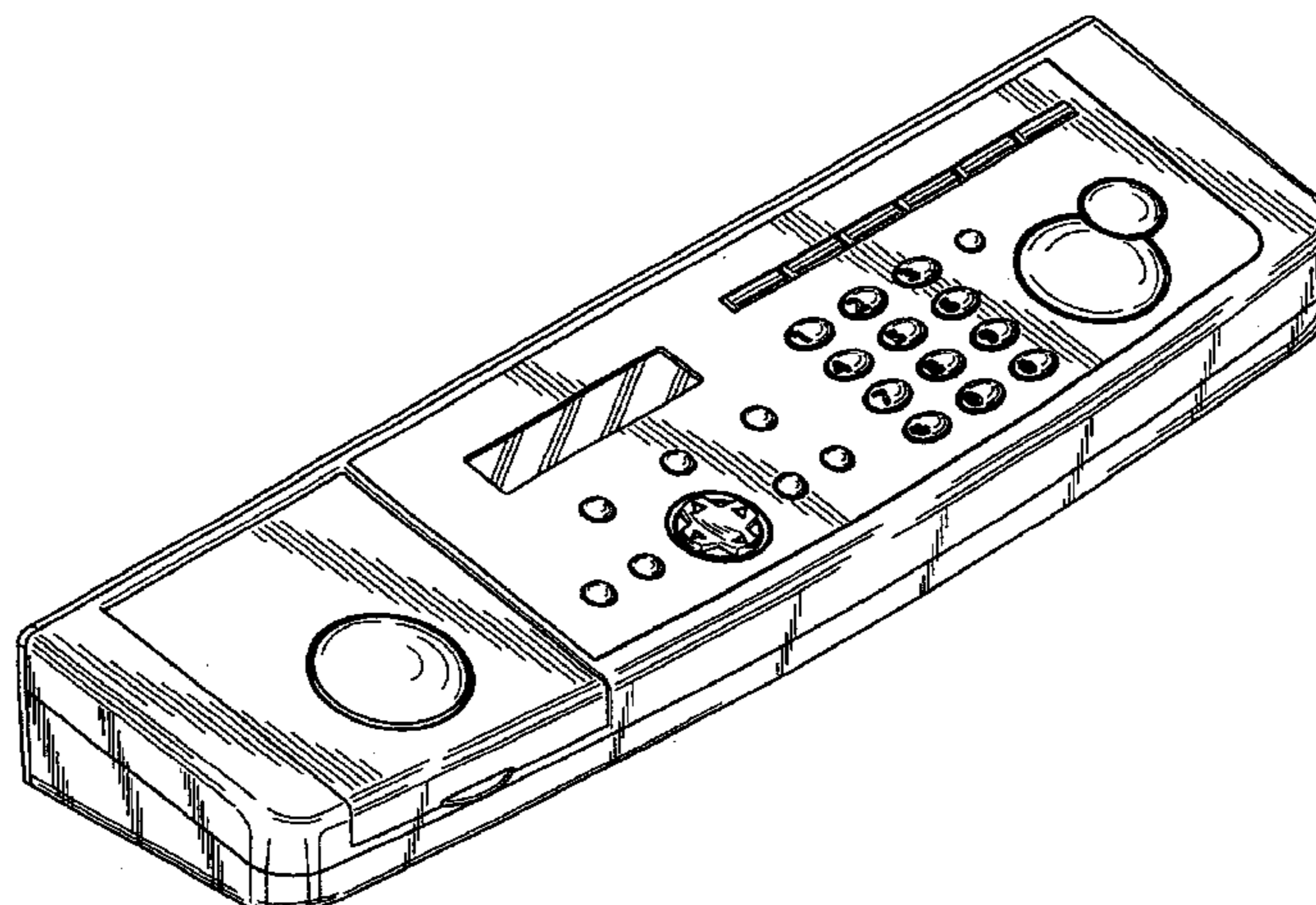


FIG. 1

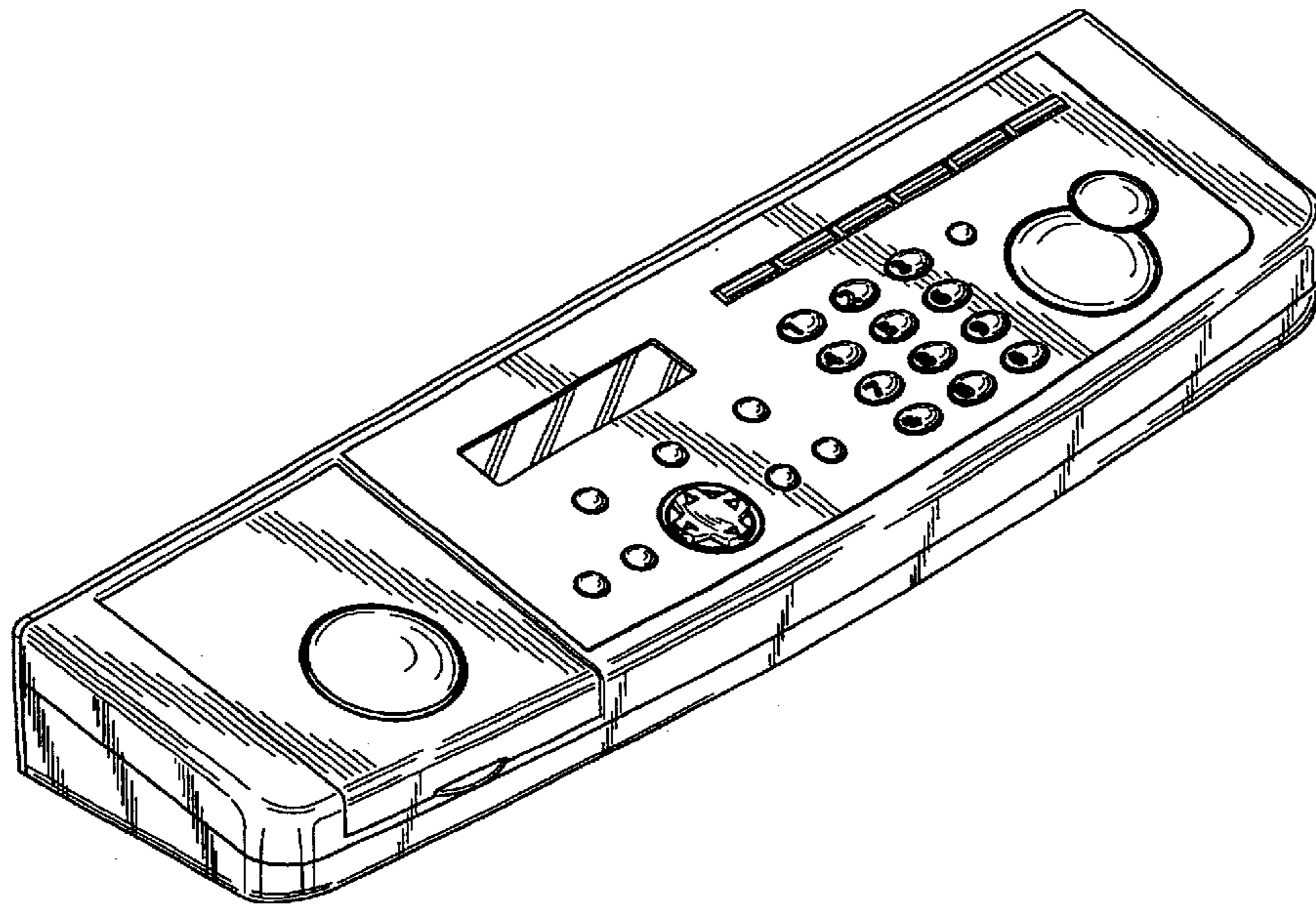


FIG. 2

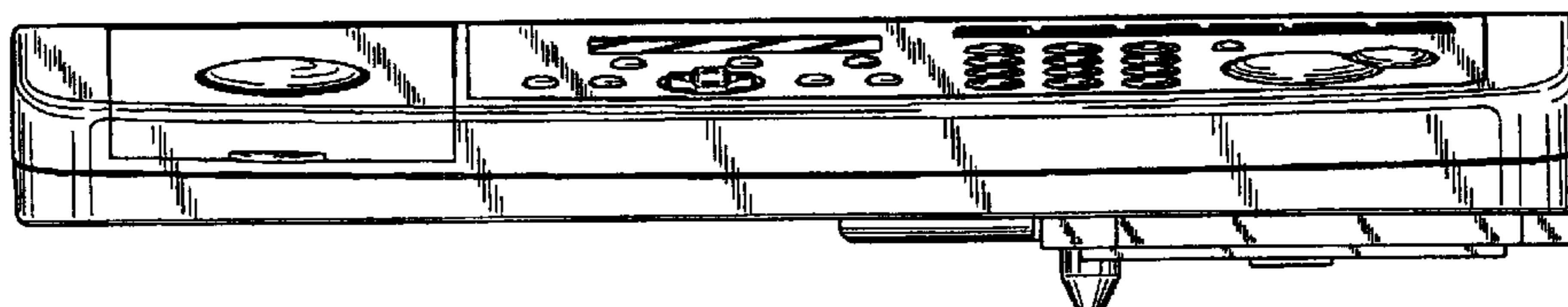


FIG. 3

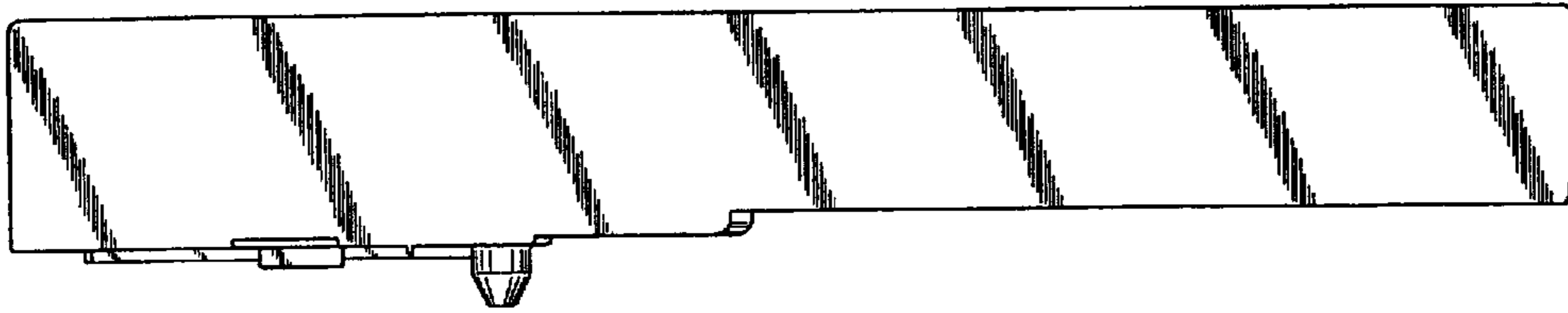


FIG. 4

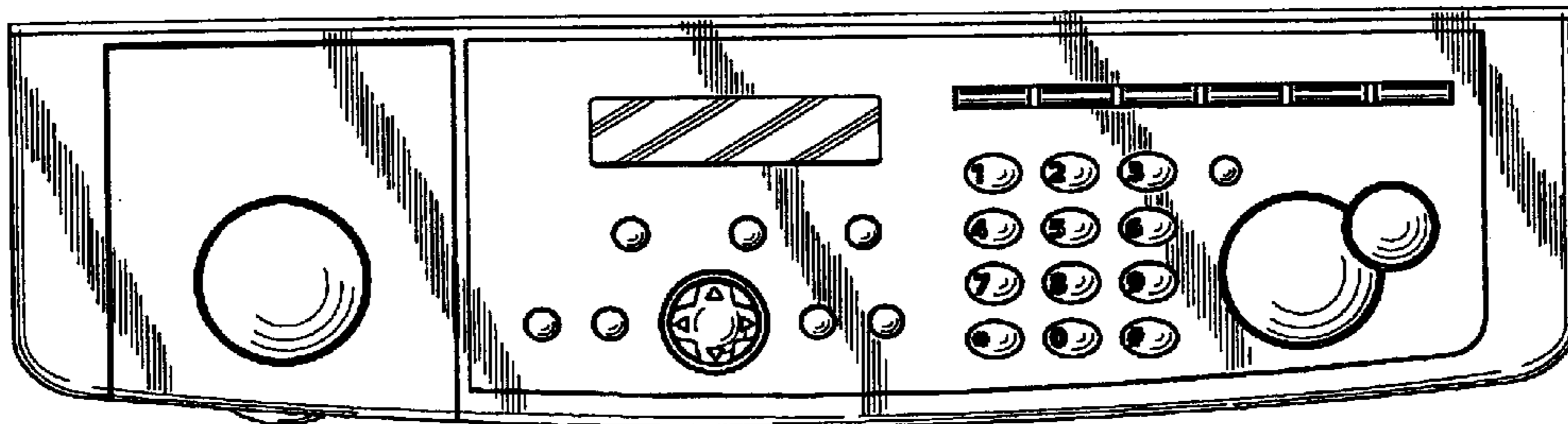


FIG. 5

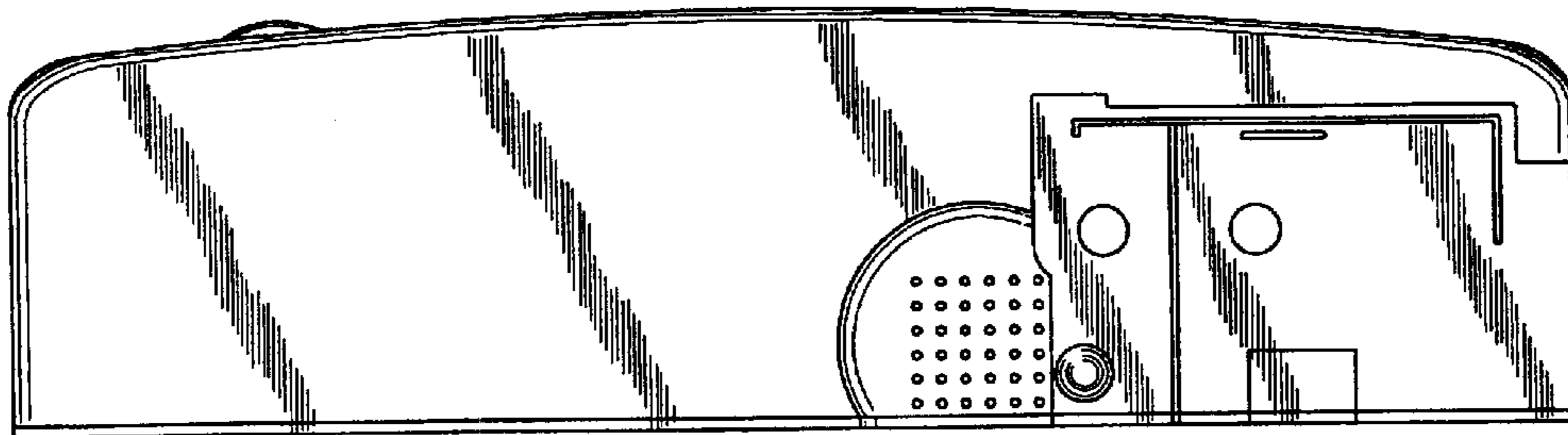


FIG. 6

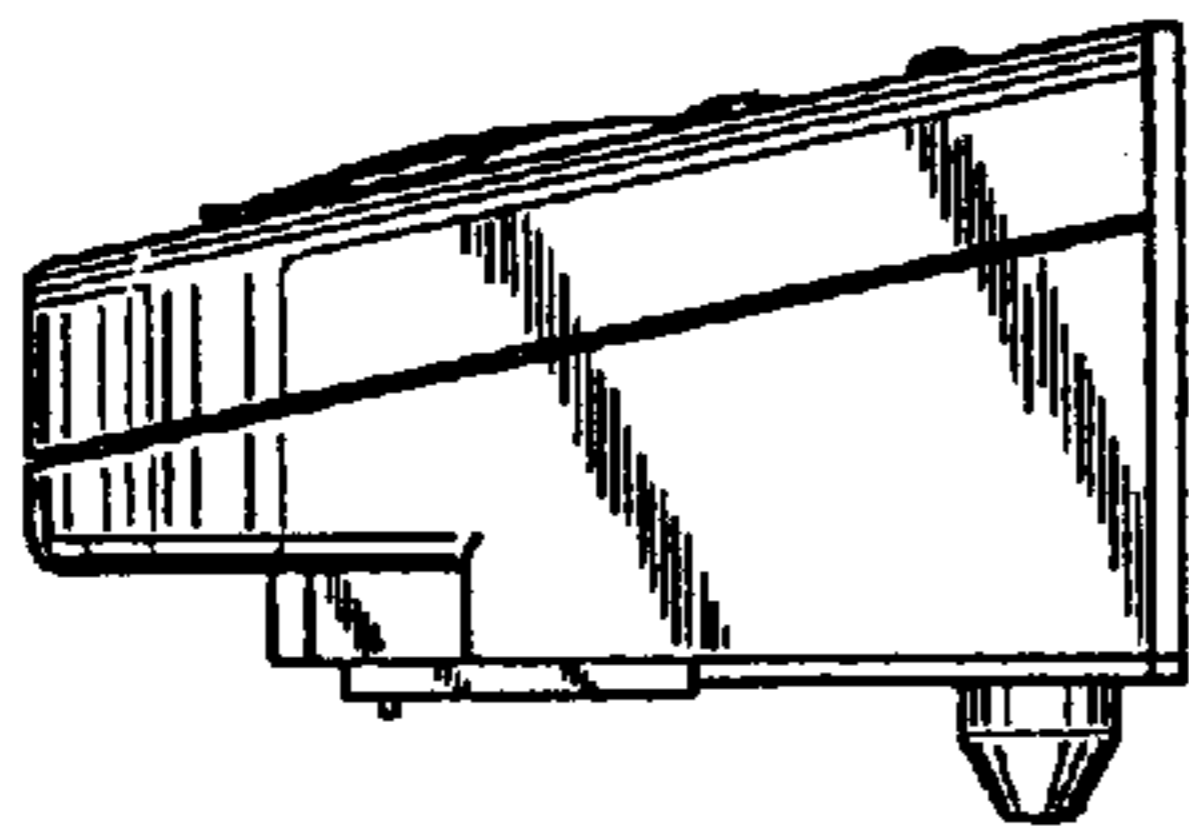


FIG. 7

