



US00D529073S

(12) **United States Design Patent** (10) **Patent No.:** **US D529,073 S**  
**Ono** (45) **Date of Patent:** **\*\* Sep. 26, 2006**

(54) **CASH REGISTER**

2002/0103707 A1 \* 8/2002 Takeuchi et al. .... 705/16  
2005/0156024 A1 \* 7/2005 Ichikawa et al. .... 235/379

(75) Inventor: **Yasuhiro Ono**, Yokohama (JP)

**FOREIGN PATENT DOCUMENTS**

(73) Assignee: **Toshiba Tec Kabushiki Kaisha**, Tokyo (JP)

JP 1021249 9/1998  
JP D1021249/1 2/2000

(\*\*) Term: **14 Years**

**OTHER PUBLICATIONS**

(21) Appl. No.: **29/222,610**

Website print out showing a POS terminal (Hermes HP370) of Datavan International Corporation received Oct. 5, 2004.

(22) Filed: **Feb. 2, 2005**

\* cited by examiner

(51) **LOC (8) Cl.** ..... **18-01**

*Primary Examiner*—Caron Veynar

(52) **U.S. Cl.** ..... **D18/4.5; D18/4.6**

*Assistant Examiner*—Garth Rademaker

(58) **Field of Classification Search** ..... D18/3.1–3.3,  
D18/4.1–4.6, 6, 12, 12.1–12.3; D14/315,  
D14/316, 336, 371–376; D21/324, 329–332;  
D99/28, 43; 235/1 E, 6, 7 R, 33, 50 A, 50 B,  
235/50 R, 51, 379, 386; 705/12, 15–18, 40,  
705/43

(74) *Attorney, Agent, or Firm*—Ohlandt, Greeley, Ruggiero & Perle, L.L.P.

See application file for complete search history.

(57) **CLAIM**

The ornamental design for a cash register, as shown and described.

(56) **References Cited**

**DESCRIPTION**

**U.S. PATENT DOCUMENTS**

FIG. 1 is a perspective view of a cash register according to the present invention;

- D406,270 S \* 3/1999 Postrel et al. .... D18/4.5
- D417,692 S \* 12/1999 Mizusugi et al. .... D18/12.3
- 6,003,008 A \* 12/1999 Postrel et al. .... 705/16
- D424,098 S \* 5/2000 Kim ..... D18/4.5
- D424,602 S \* 5/2000 Lin ..... D18/4.3
- D427,231 S \* 6/2000 Ono ..... D18/4.6
- D428,863 S 8/2000 Rahemtulla et al. .... D14/100
- D440,565 S \* 4/2001 Ono et al. .... D14/375
- D451,917 S \* 12/2001 Rahemtulla et al. .... D14/337
- D496,682 S \* 9/2004 Ookushi et al. .... D18/4.4

FIG. 2 is a front elevational view thereof, shown in an alternate position;

FIG. 3 is a rear elevational view thereof;

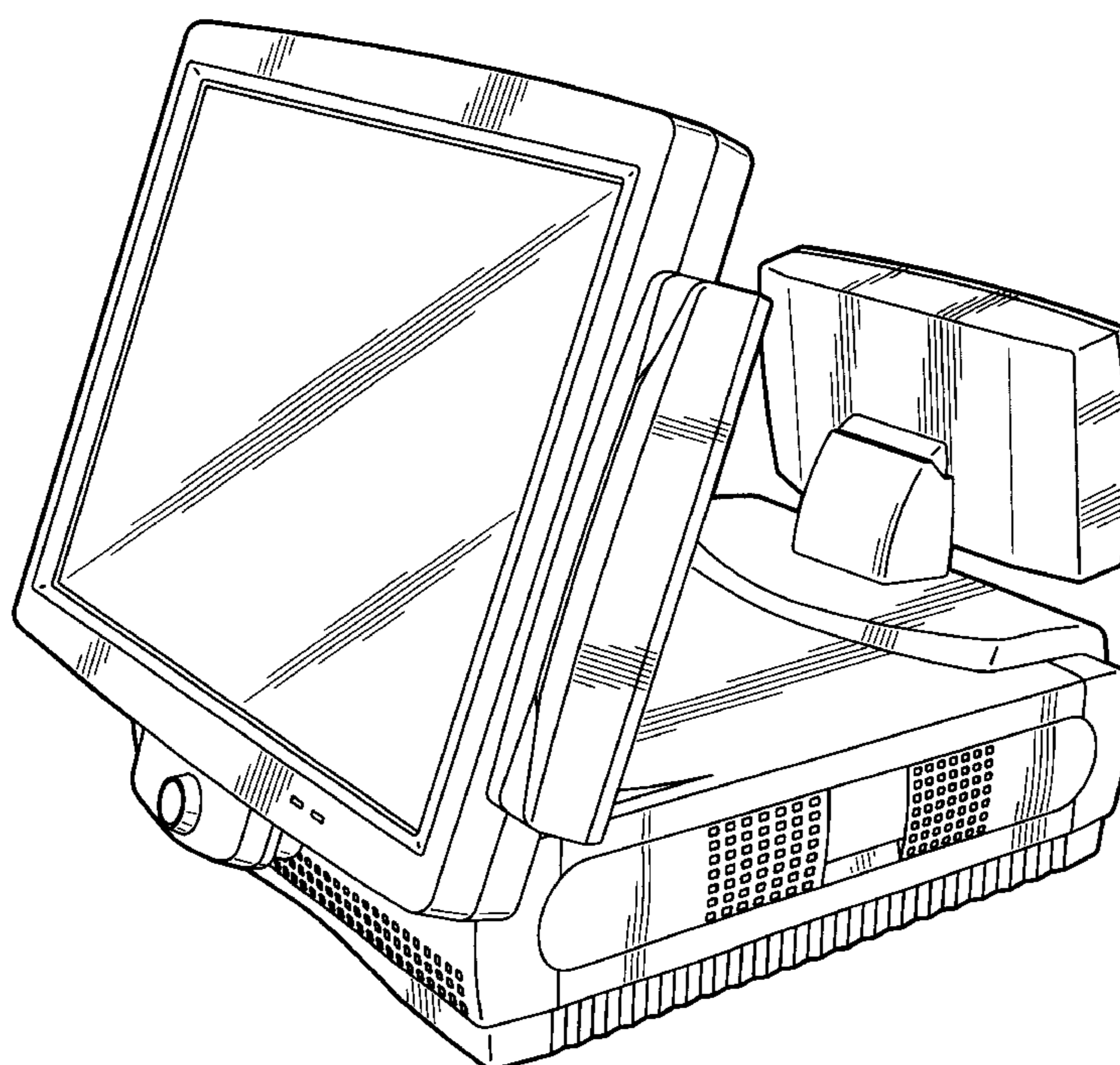
FIG. 4 is a top plan view thereof;

FIG. 5 is a bottom plan view thereof;

FIG. 6 is a right side elevational view thereof; and,

FIG. 7 is a left side elevational view thereof.

**1 Claim, 7 Drawing Sheets**



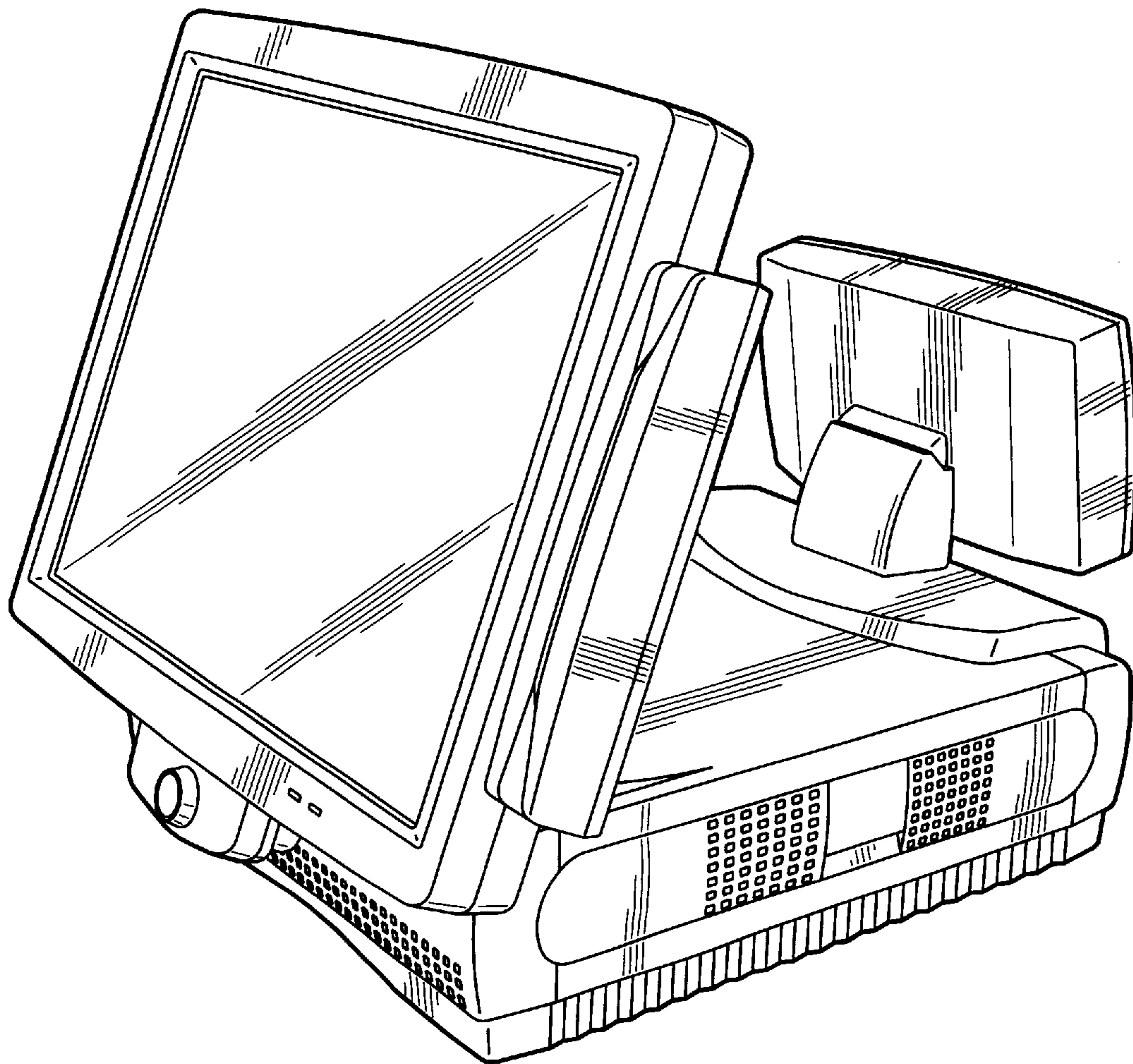


FIG.1

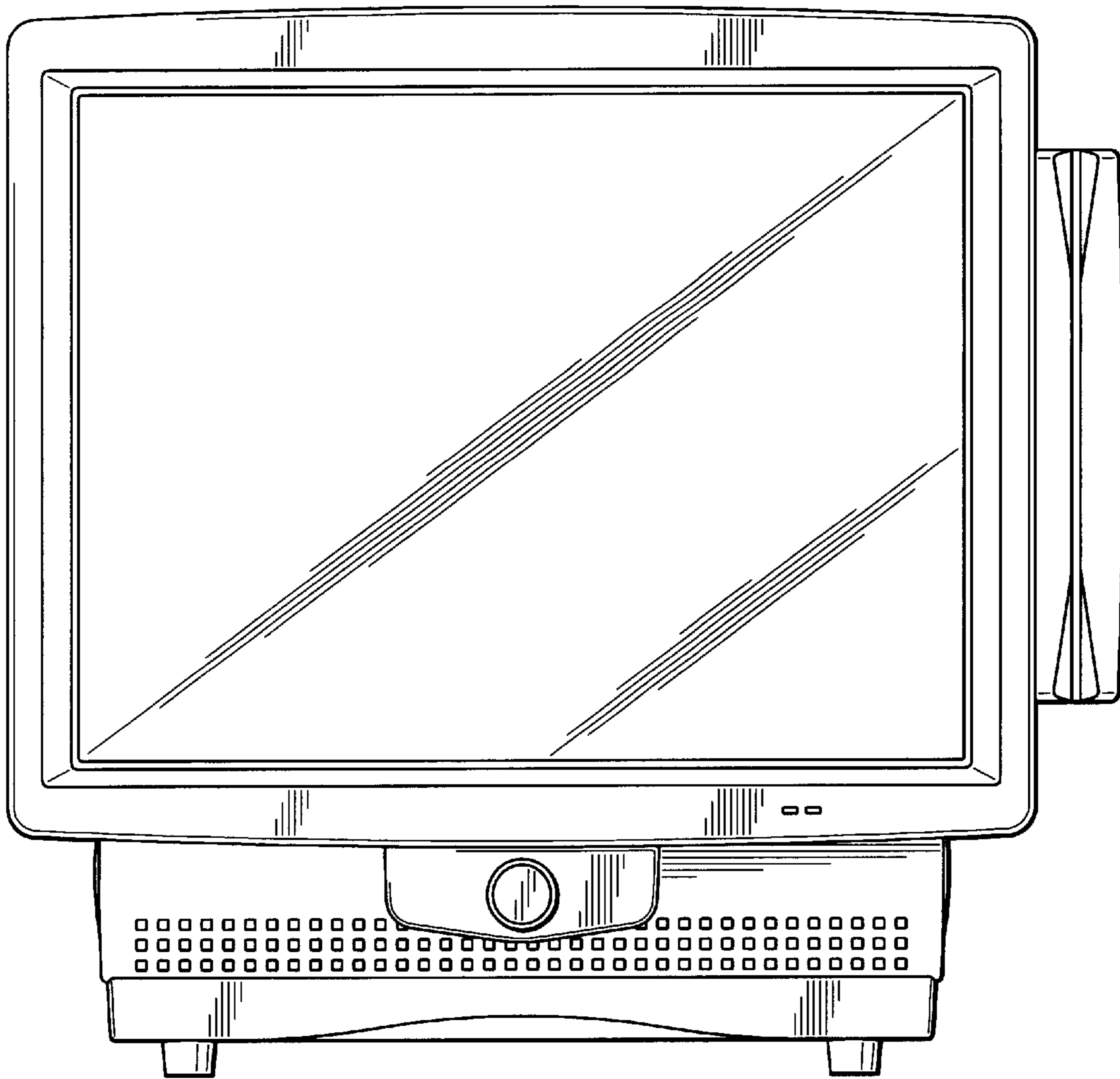


FIG.2

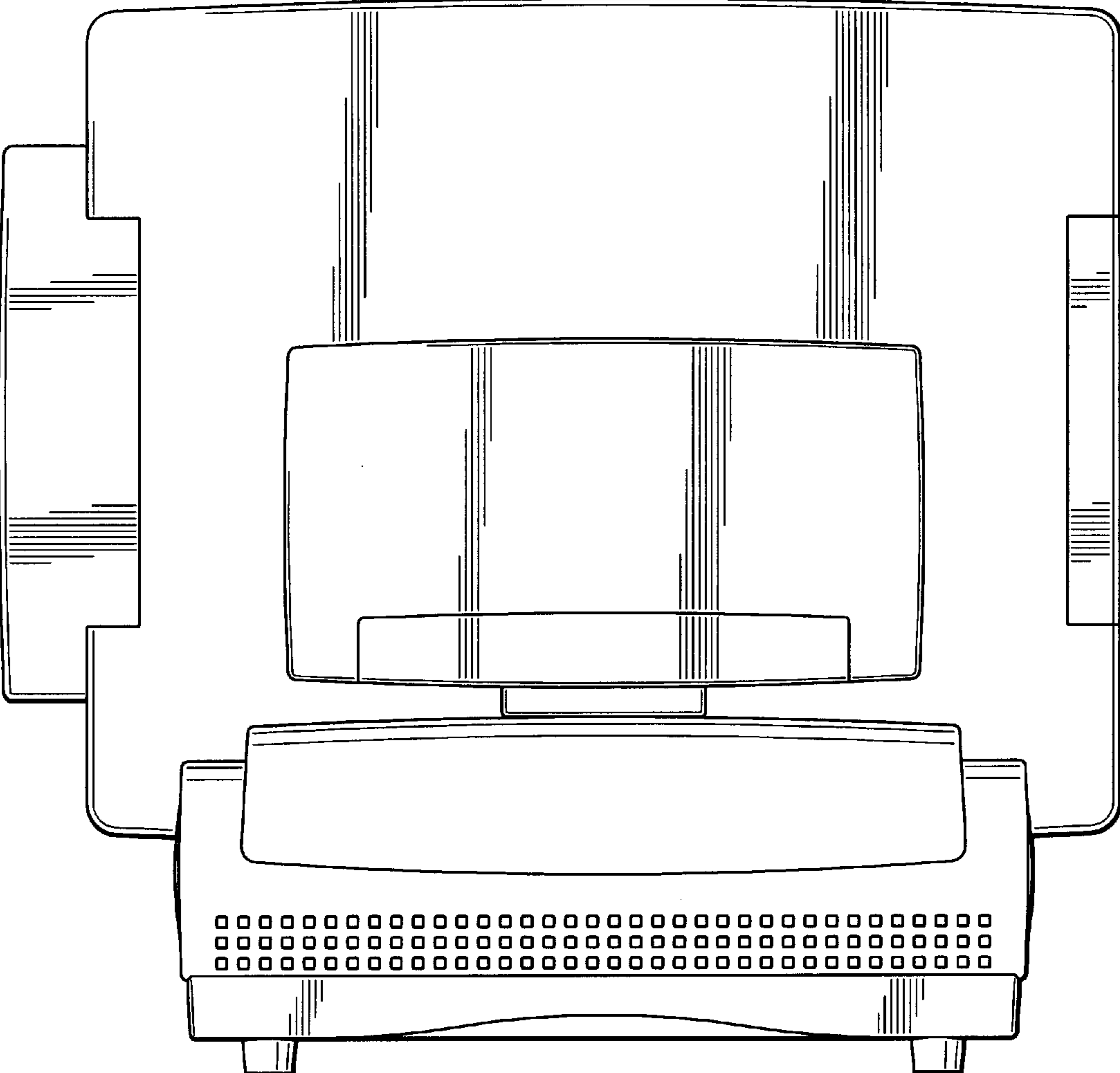


FIG.3

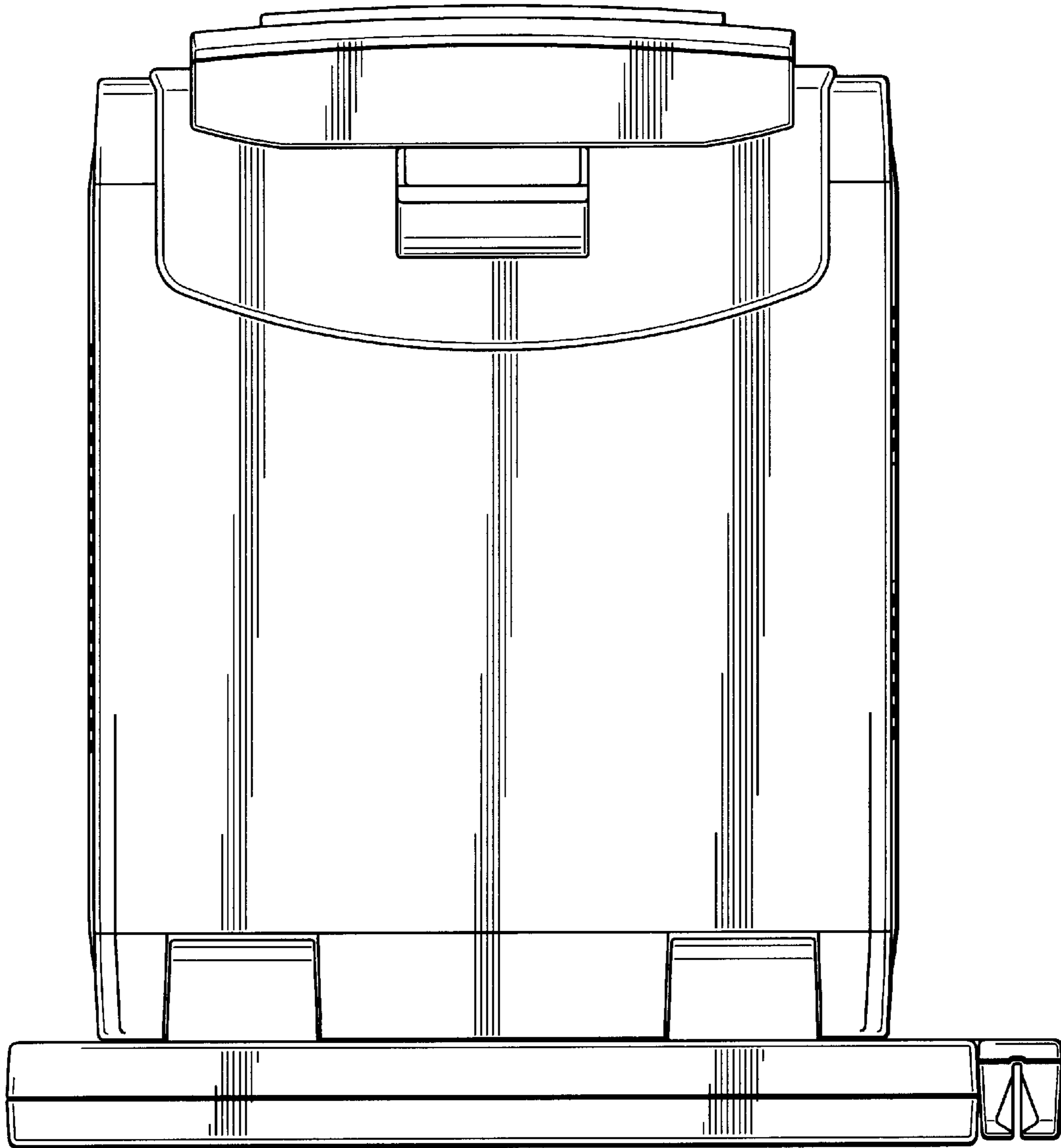


FIG.4

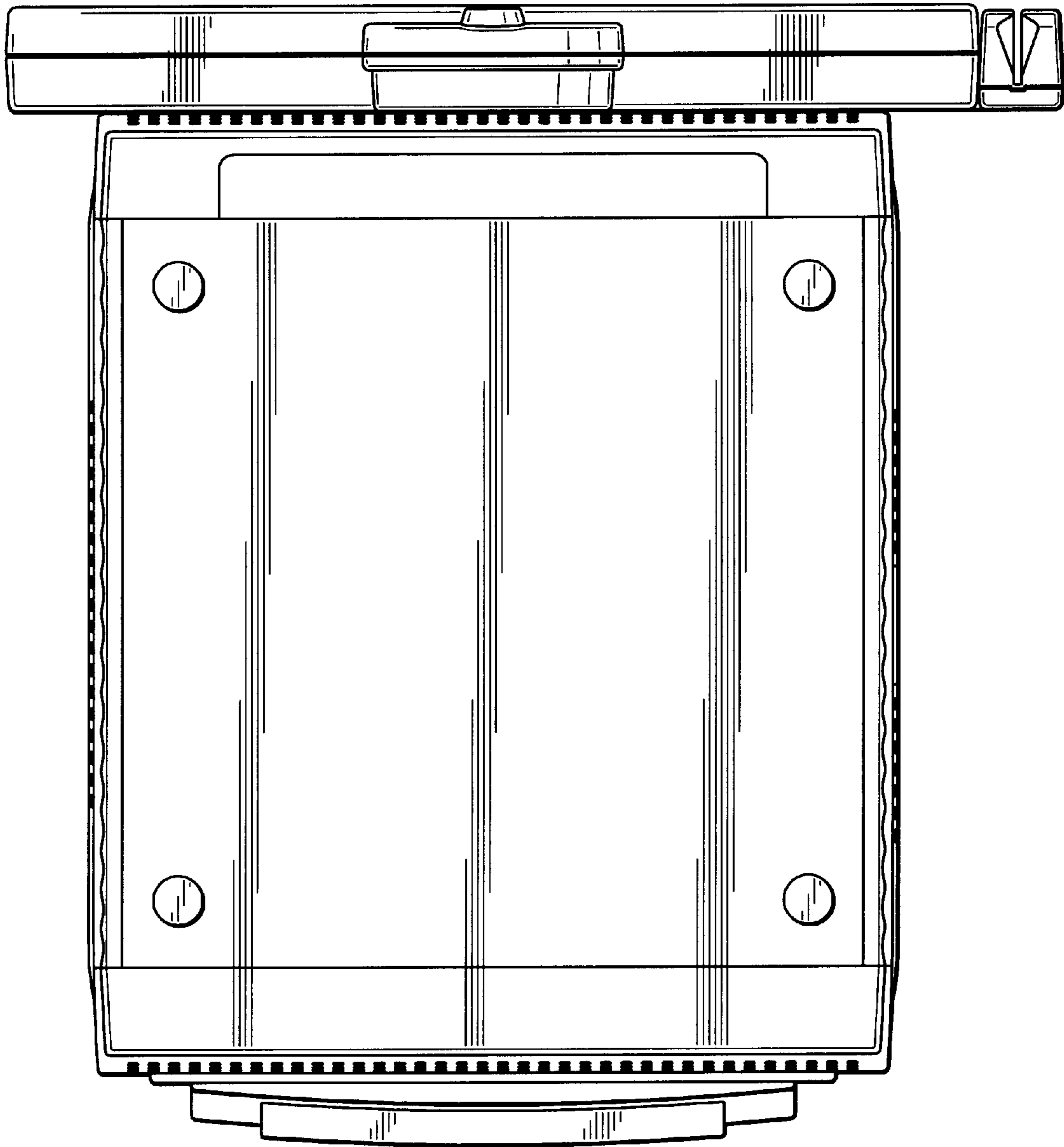


FIG.5

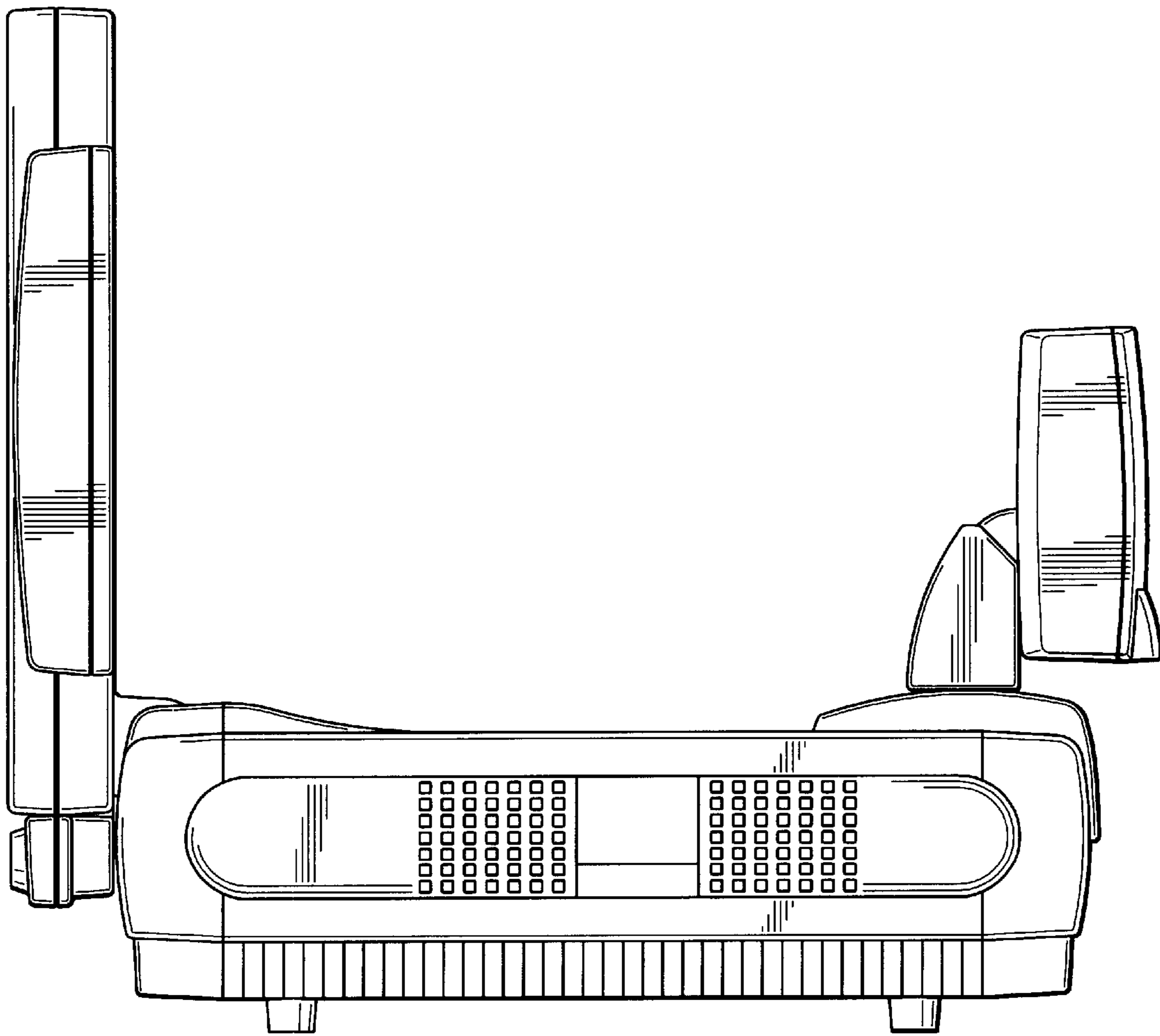


FIG.6

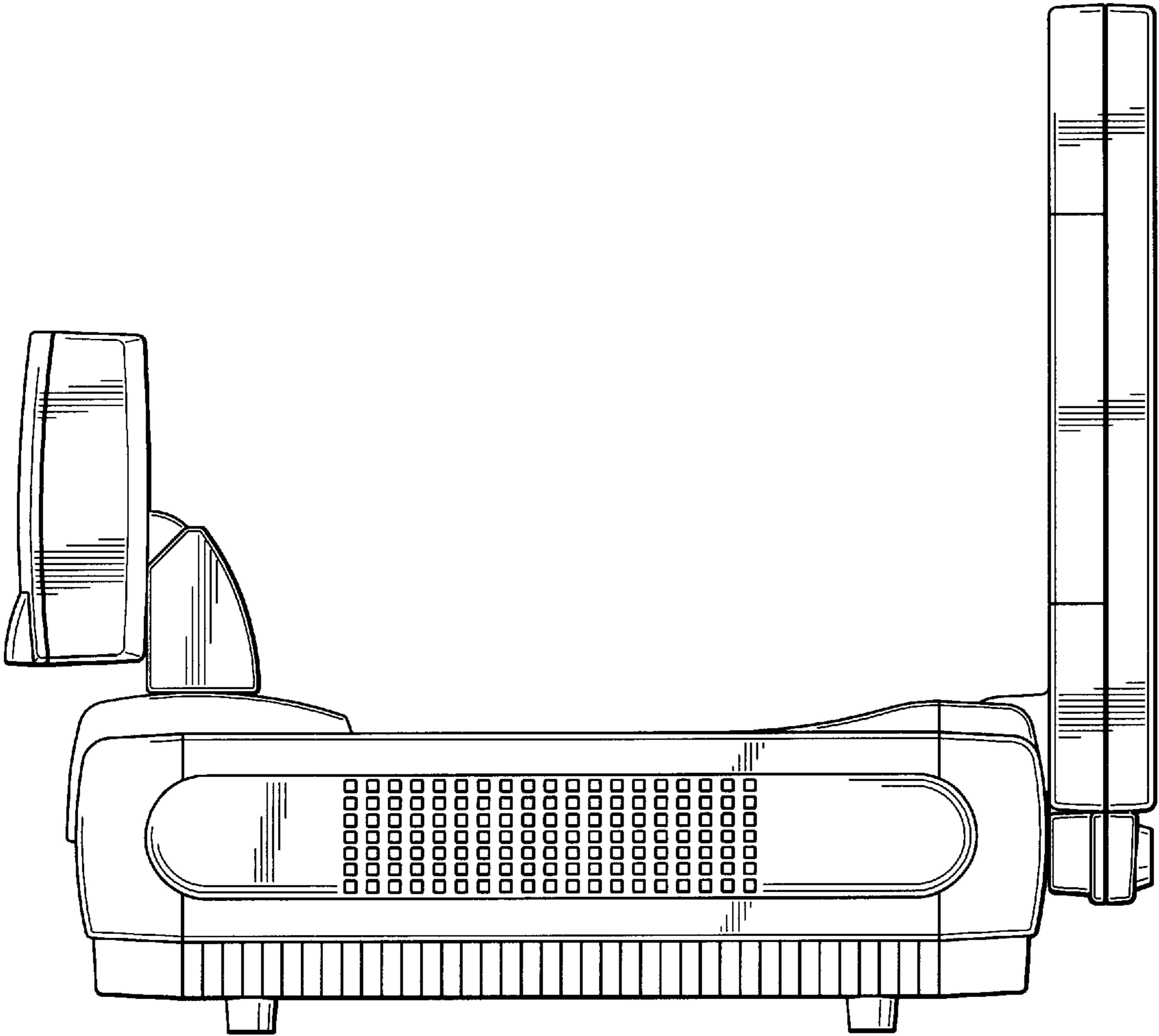


FIG.7



UNITED STATES PATENT AND TRADEMARK OFFICE  
**CERTIFICATE OF CORRECTION**

PATENT NO. : Des. 529,073 S  
APPLICATION NO. : 29/222610  
DATED : September 26, 2006  
INVENTOR(S) : Ono

Page 1 of 1

It is certified that error appears in the above-identified patent and that said Letters Patent is hereby corrected as shown below:

Please insert at Column 1, Line 30 the following:

On Title page Please insert

-- FOREIGN APPLICATION PRIORITY DATA [30]

December 21, 2004 (JP).....2004-039162 --

Signed and Sealed this

Sixth Day of March, 2007

A handwritten signature in black ink on a light gray dotted background. The signature reads "Jon W. Dudas" in a cursive style.

JON W. DUDAS

*Director of the United States Patent and Trademark Office*