

US00D529064S

(12) **United States Design Patent**
Badalian

(10) **Patent No.:** **US D529,064 S**

(45) **Date of Patent:** **** Sep. 26, 2006**

(54) **CONCEALED CAMERA**

(75) Inventor: **Edward Badalian**, Costa Mesa, CA (US)

(73) Assignee: **Silverstate Safety Image**, La Mirada, CA (US)

(**) Term: **14 Years**

(21) Appl. No.: **29/226,522**

(22) Filed: **Mar. 29, 2005**

(51) **LOC (8) Cl.** **16-01**

(52) **U.S. Cl.** **D16/203**

(58) **Field of Classification Search** D16/200–206,
D16/208–218; 348/143, 151, 373–376; 396/427,
396/535, 536–541

See application file for complete search history.

(56) **References Cited**

U.S. PATENT DOCUMENTS

- D214,533 S * 6/1969 Anderson D16/203
- 6,151,065 A * 11/2000 Steed et al. 348/151
- 6,824,317 B1 * 11/2004 Finizio et al. 396/427

2004/0135885 A1 * 7/2004 Hage 348/143

* cited by examiner

Primary Examiner—Adir Aronovich

(74) *Attorney, Agent, or Firm*—The Soni Law Firm

(57) **CLAIM**

The ornamental design for a concealed camera, as shown and described.

DESCRIPTION

FIG. 1 is a top, front and right side perspective view of a concealed camera showing my new design;

FIG. 2 is a bottom, front and left side perspective view of the concealed camera of FIG. 1;

FIG. 3 is a front view of the concealed camera of FIG. 1;

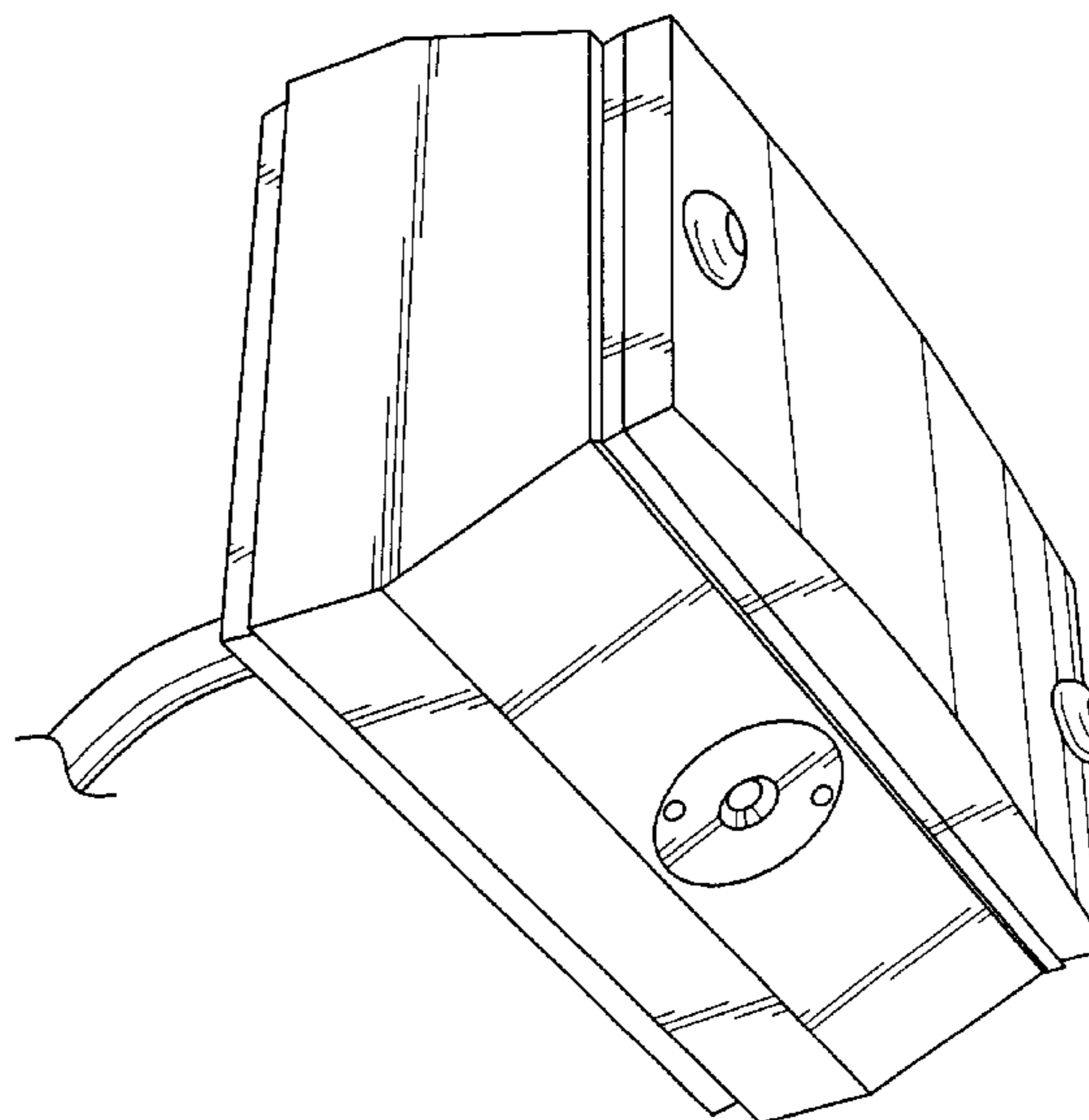
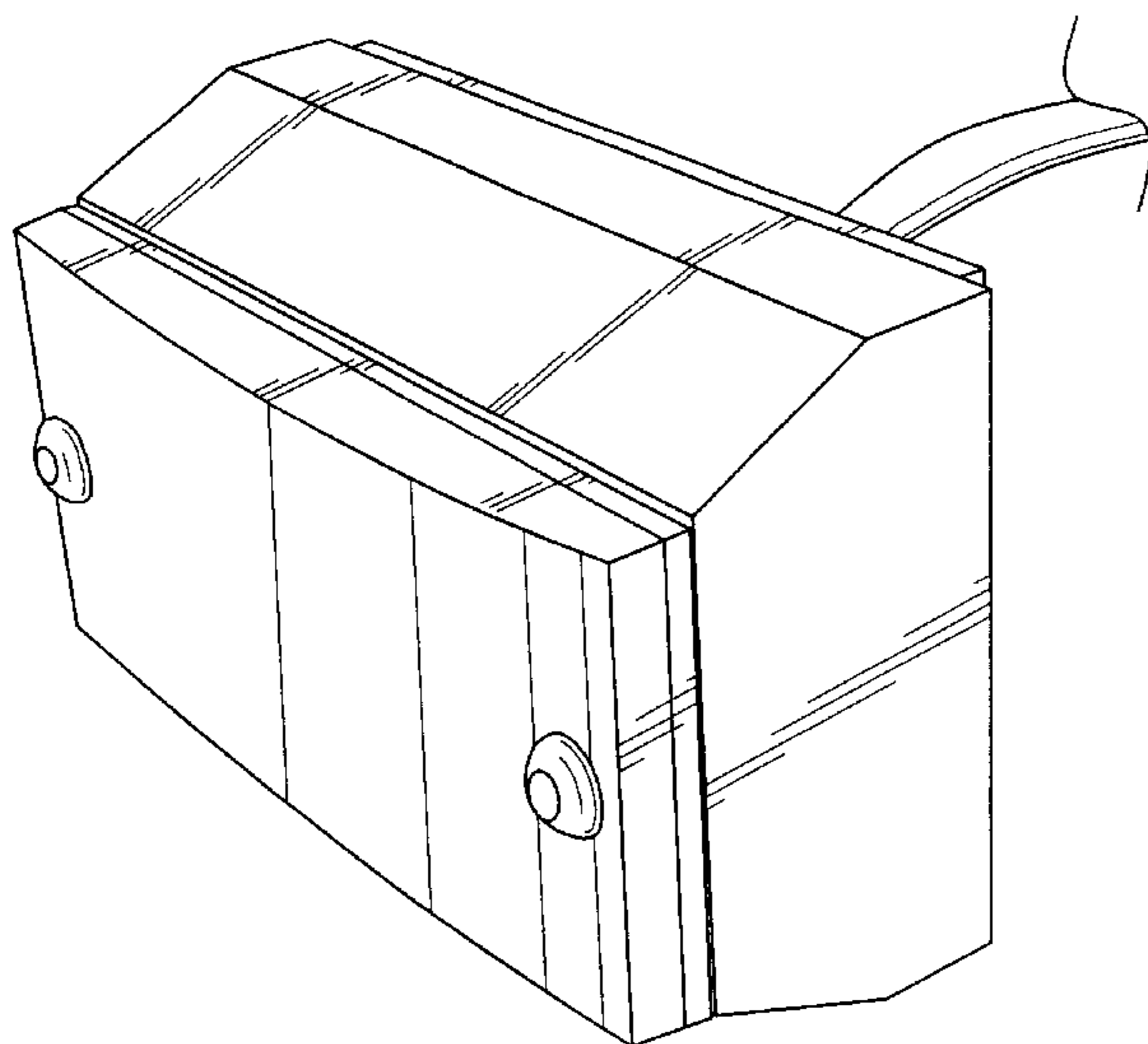
FIG. 4 is a top plan view of the concealed camera of FIG. 1;

FIG. 5 is a right side view of the concealed camera of FIG. 1.

FIG. 6 is a bottom plan view of the concealed camera of FIG. 1; and,

FIG. 7 is a rear view of the concealed camera of FIG. 1.

1 Claim, 3 Drawing Sheets



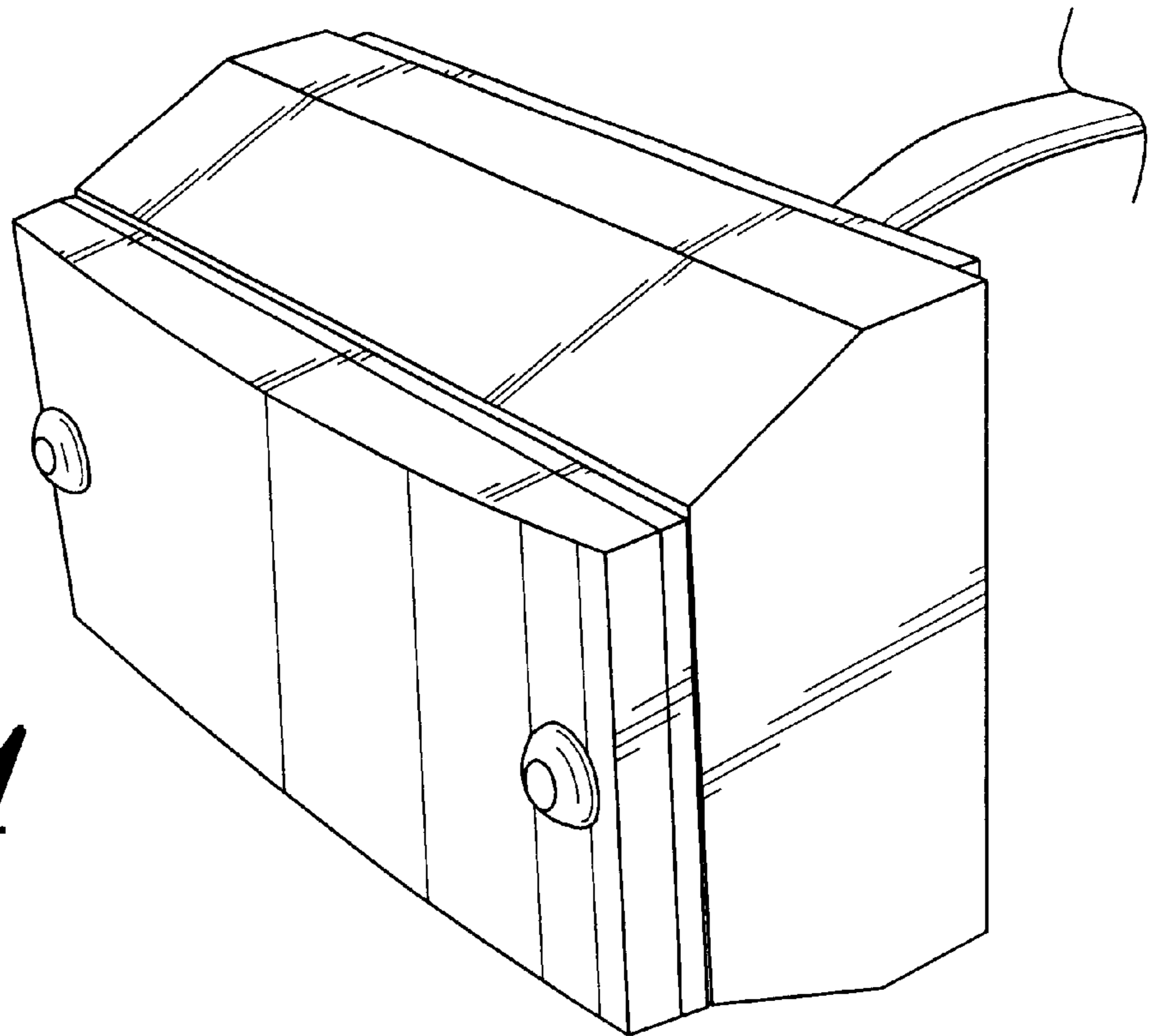


FIG. 1

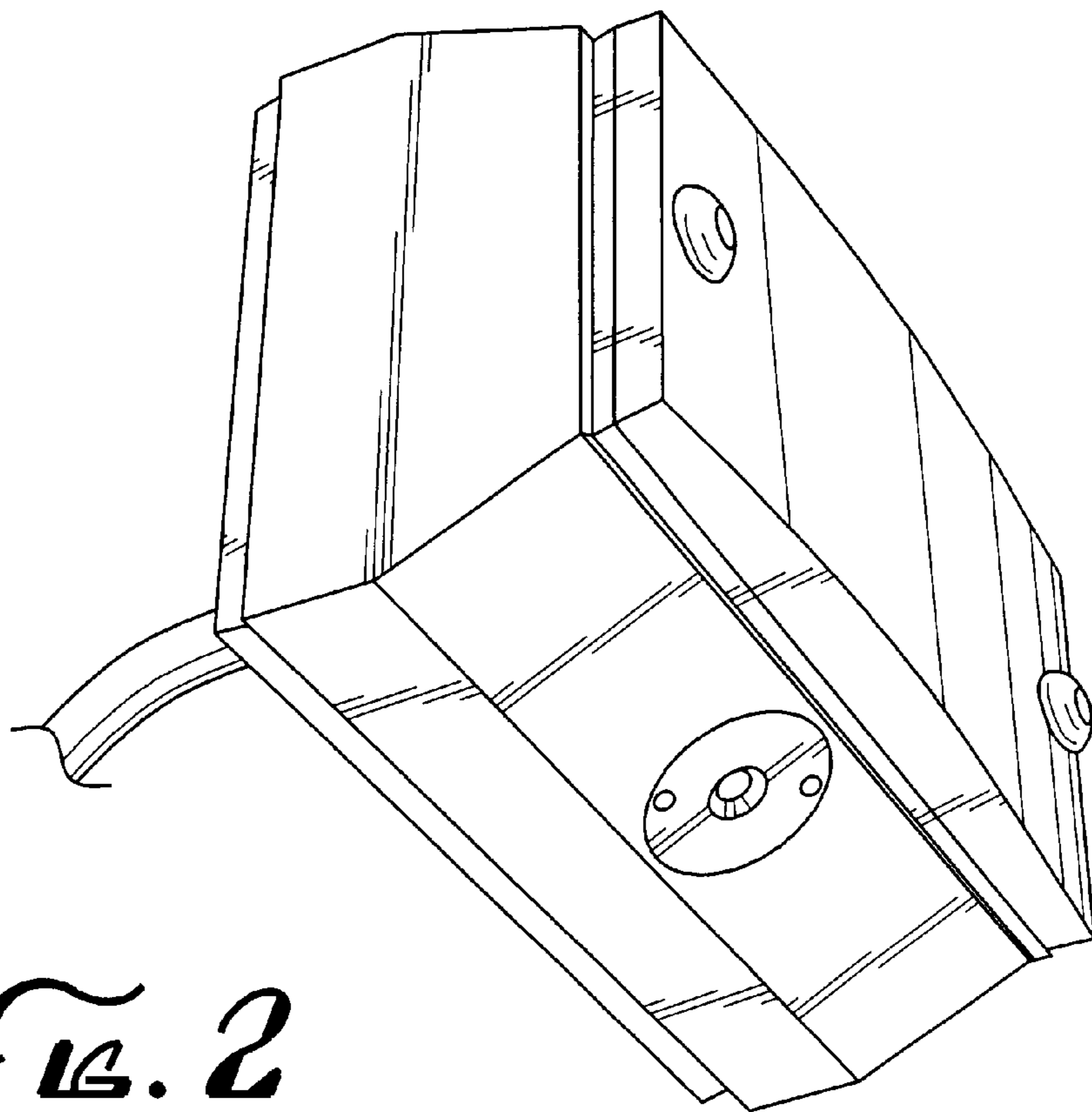


FIG. 2

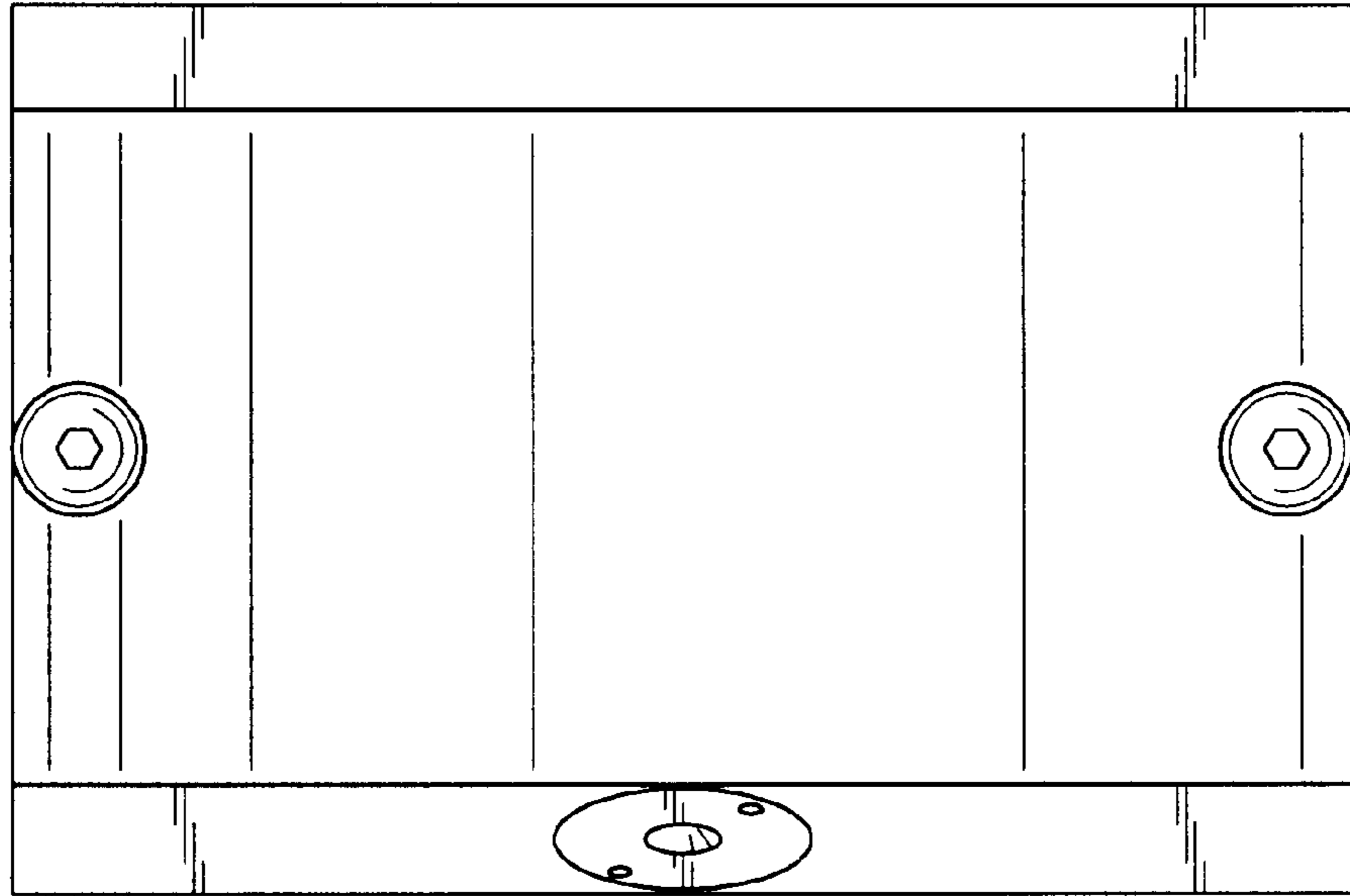


FIG. 3

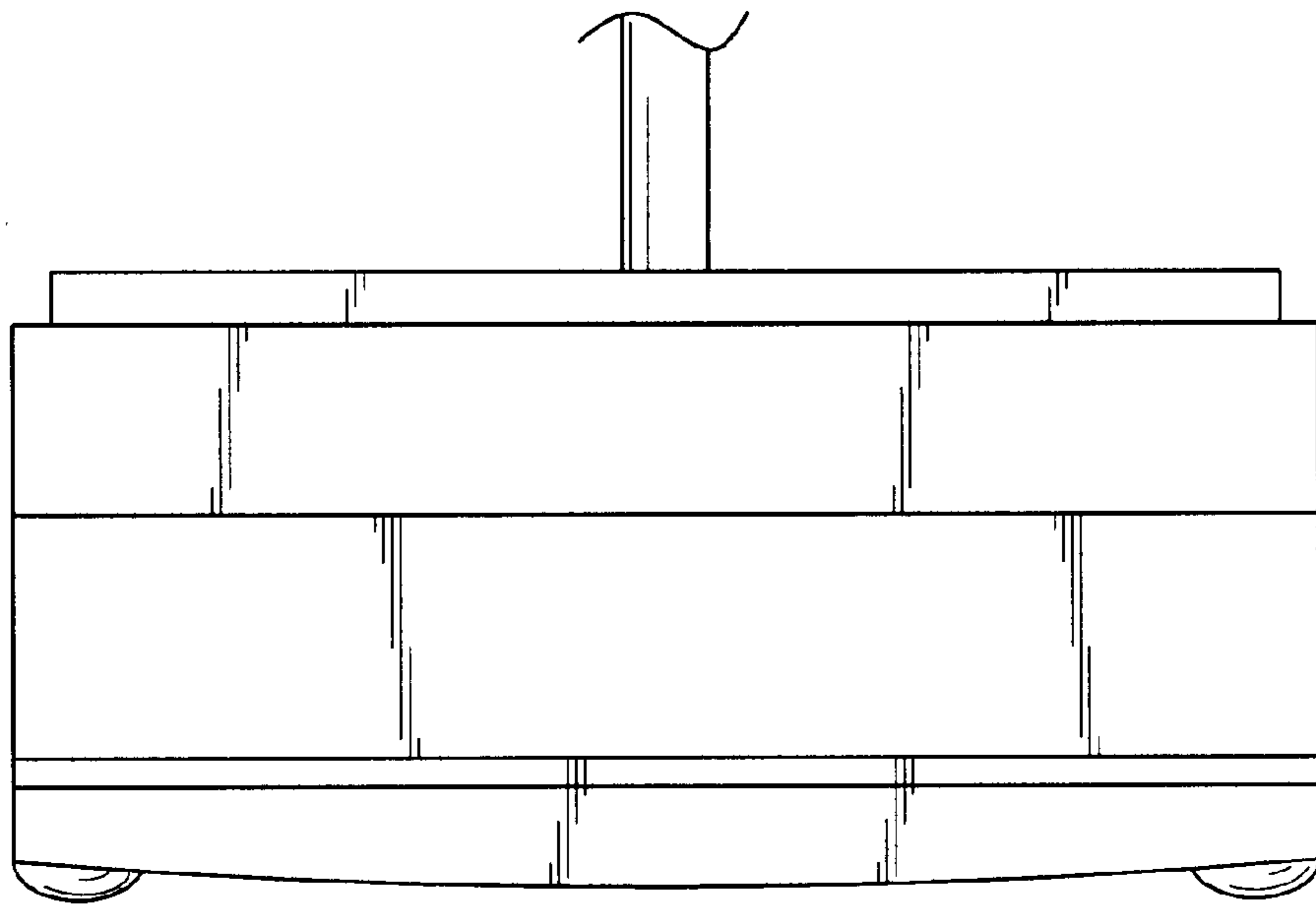


FIG. 4

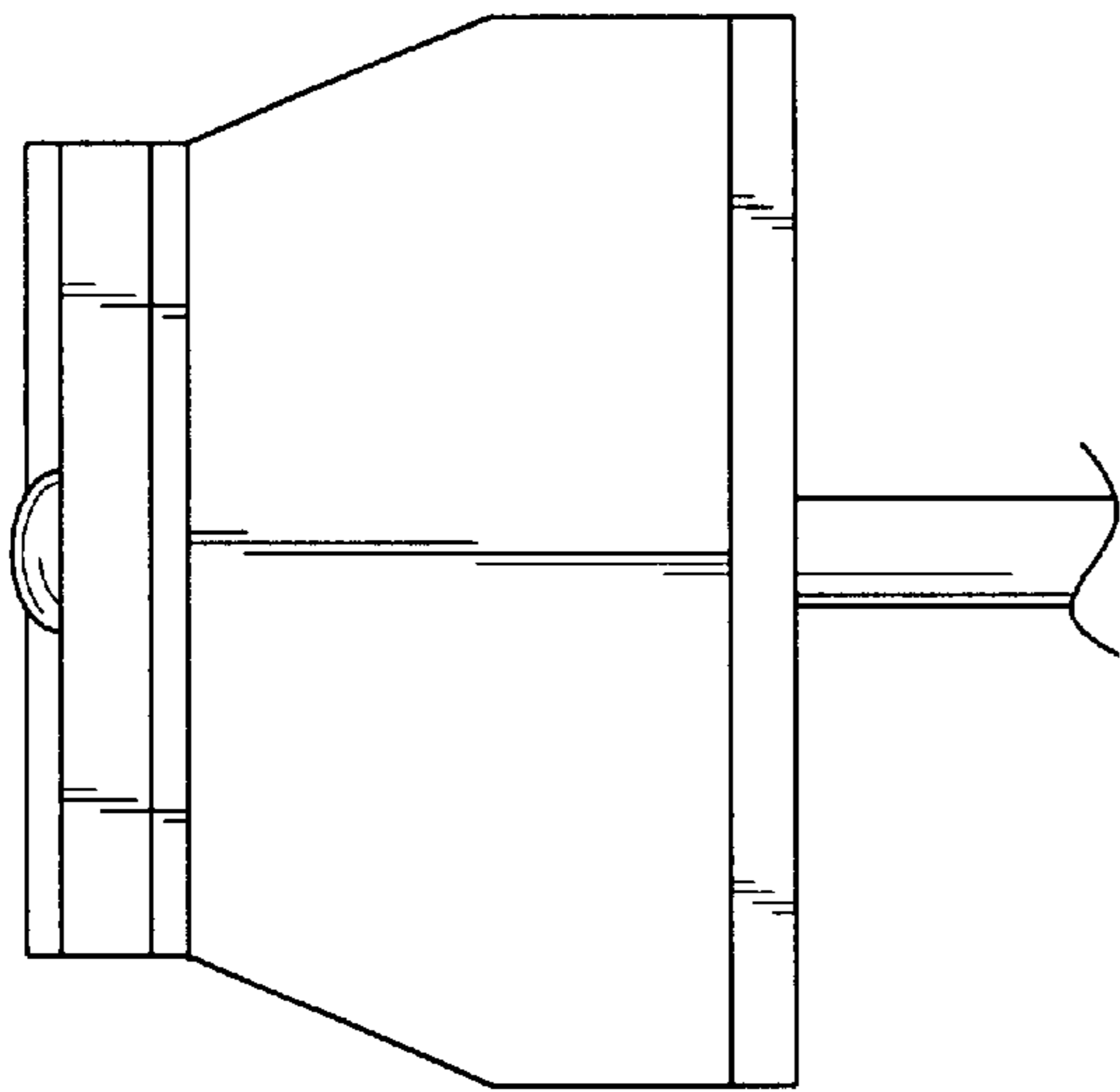


FIG. 5

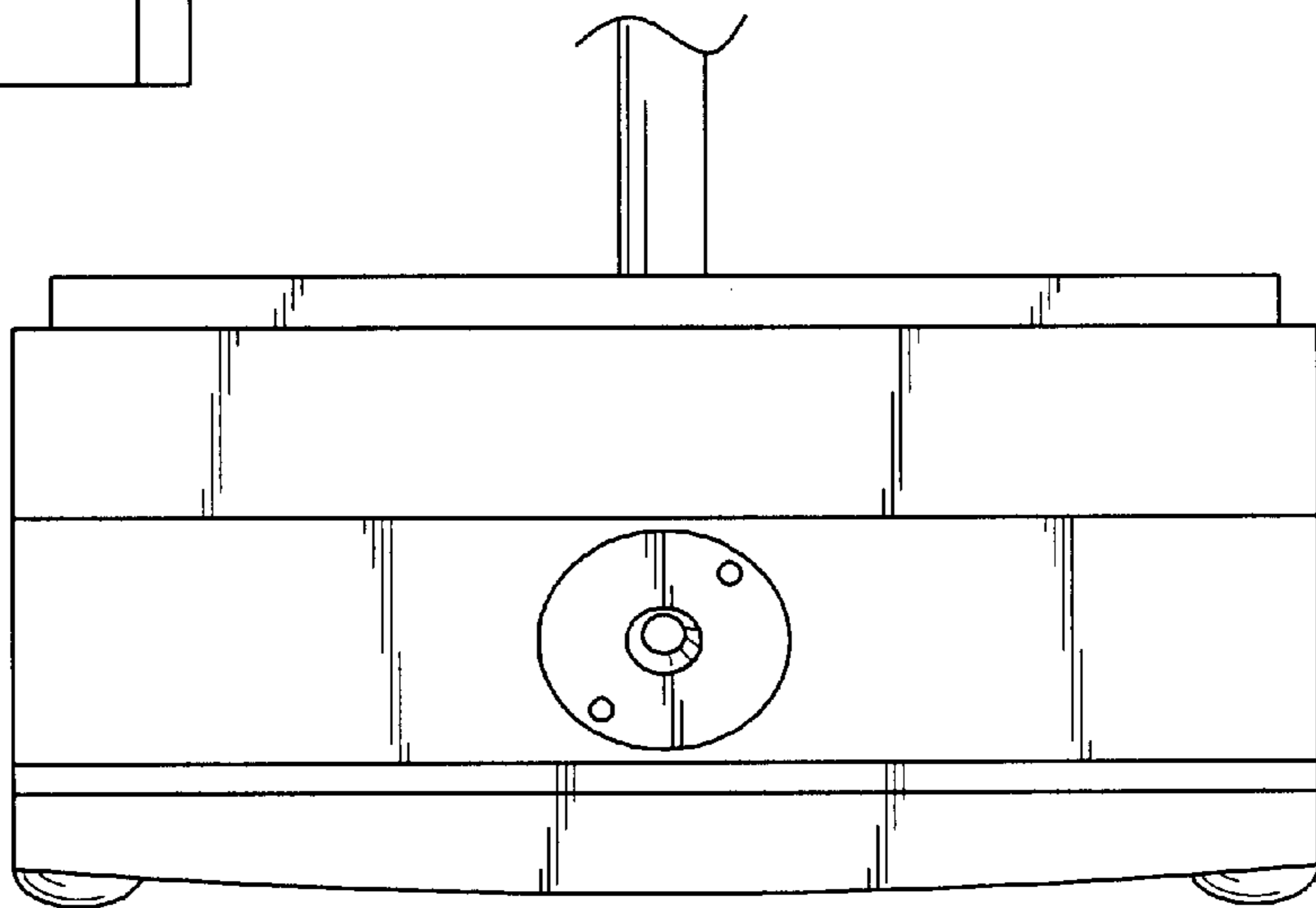


FIG. 6

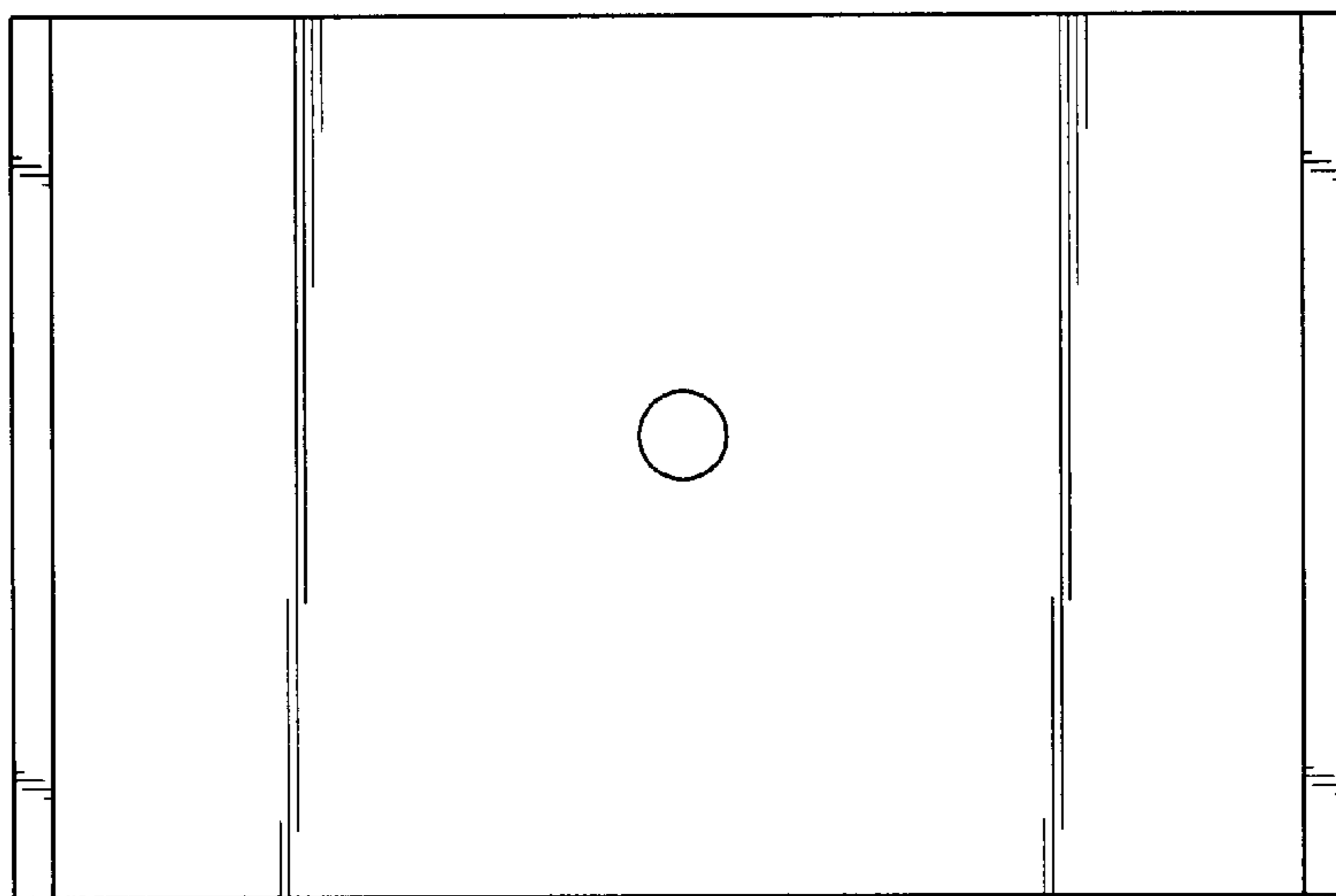


FIG. 7