



US00D529063S

(12) **United States Design Patent**
Cheng

(10) **Patent No.:** **US D529,063 S**

(45) **Date of Patent:** **** Sep. 26, 2006**

(54) **CAMERA**

(76) **Inventor:** **Yi-Jen Cheng**, 9F, No. 21, Sec. 2,
Chorngder 2 Rd., Taichung (TW)

(**) **Term:** **14 Years**

(21) **Appl. No.:** **29/225,909**

(22) **Filed:** **Mar. 22, 2005**

(51) **LOC (8) Cl.** **16-01**

(52) **U.S. Cl.** **D16/203**

(58) **Field of Classification Search** D16/200–206,
D16/208, 218; 348/143, 151, 373–376; 358/906;
396/427, 535, 536–541

See application file for complete search history.

(56) **References Cited**

U.S. PATENT DOCUMENTS

- 4,283,743 A * 8/1981 Kaiser 348/373
- 4,394,692 A * 7/1983 Randmae et al. 348/143
- D307,915 S * 5/1990 Kuester, III D16/203

- D366,271 S * 1/1996 Hasegawa D16/203
- D410,936 S * 6/1999 Isono D16/202
- 6,683,654 B1 * 1/2004 Haijima 348/374
- 6,728,480 B1 * 4/2004 Maeda et al. 348/373

* cited by examiner

Primary Examiner—Adir Aronovich

(74) *Attorney, Agent, or Firm*—Jackson Walker, LLP

(57) **CLAIM**

The ornamental design for a camera, as shown.

DESCRIPTION

FIG. 1 is a perspective view of a camera, showing my new design;

FIG. 2 is a front view thereof;

FIG. 3 is a rear view thereof;

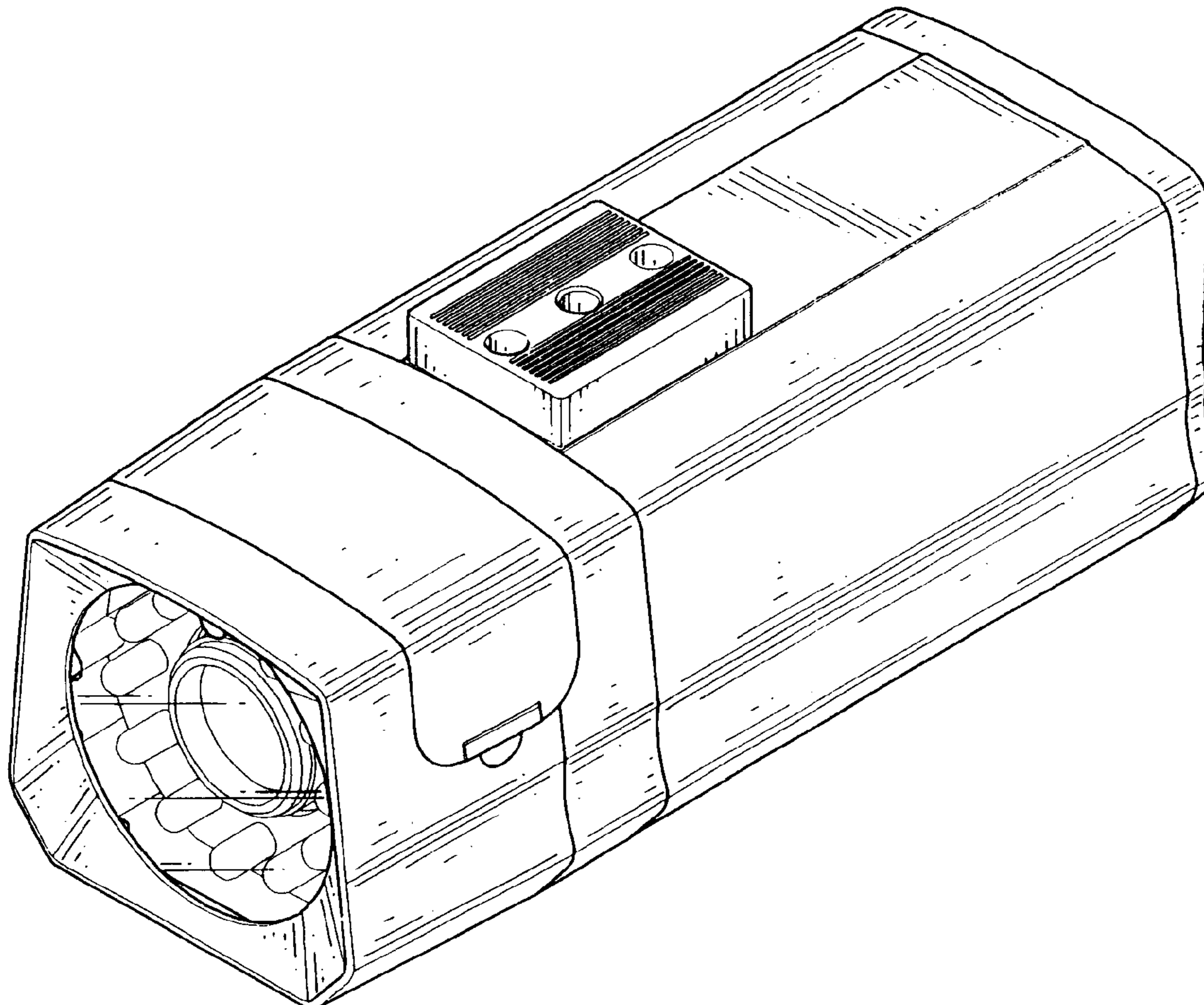
FIG. 4 is a left side view thereof;

FIG. 5 is a right side view thereof;

FIG. 6 is a top plan view thereof; and,

FIG. 7 is a bottom plan view thereof.

1 Claim, 4 Drawing Sheets



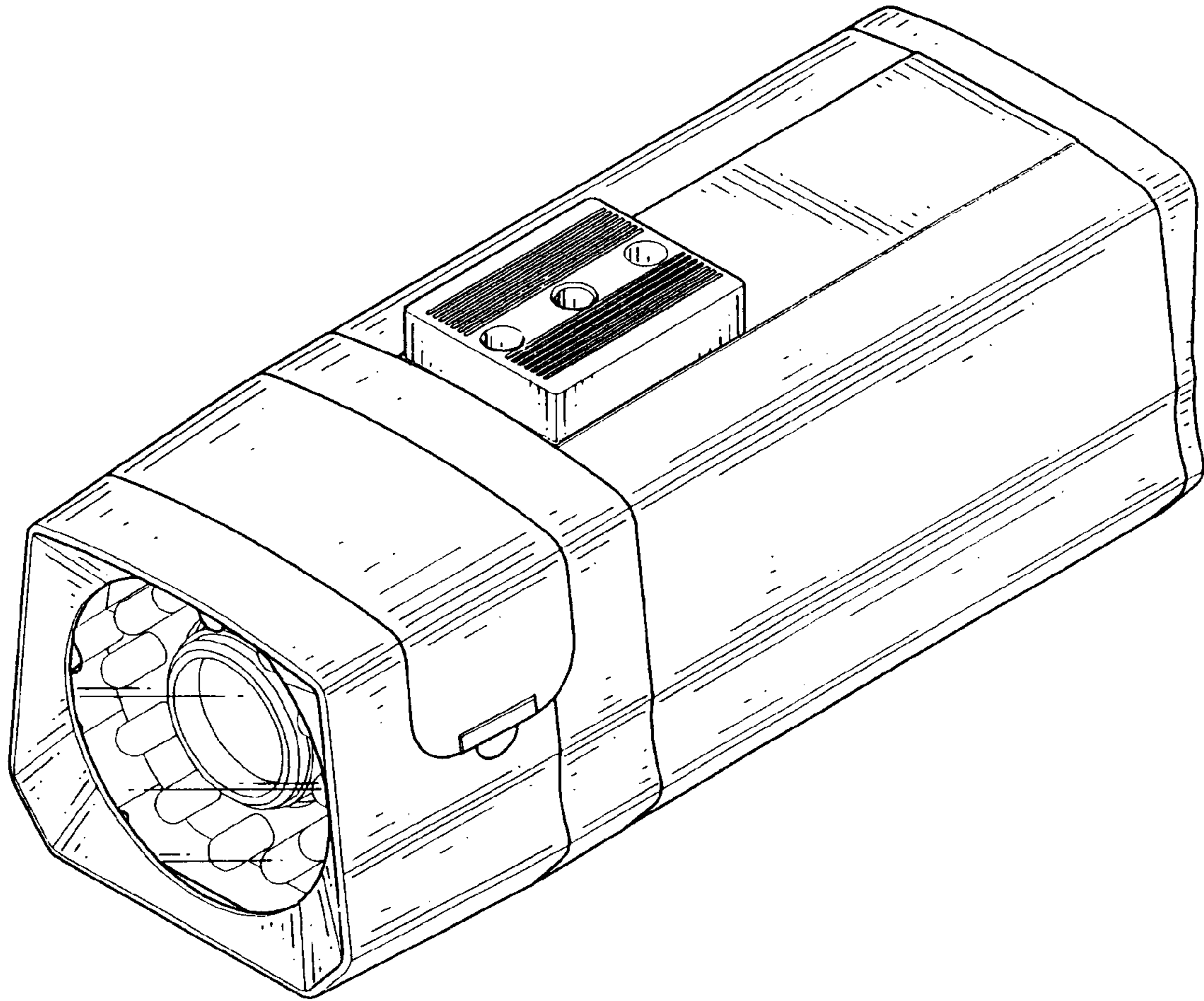


FIG.1

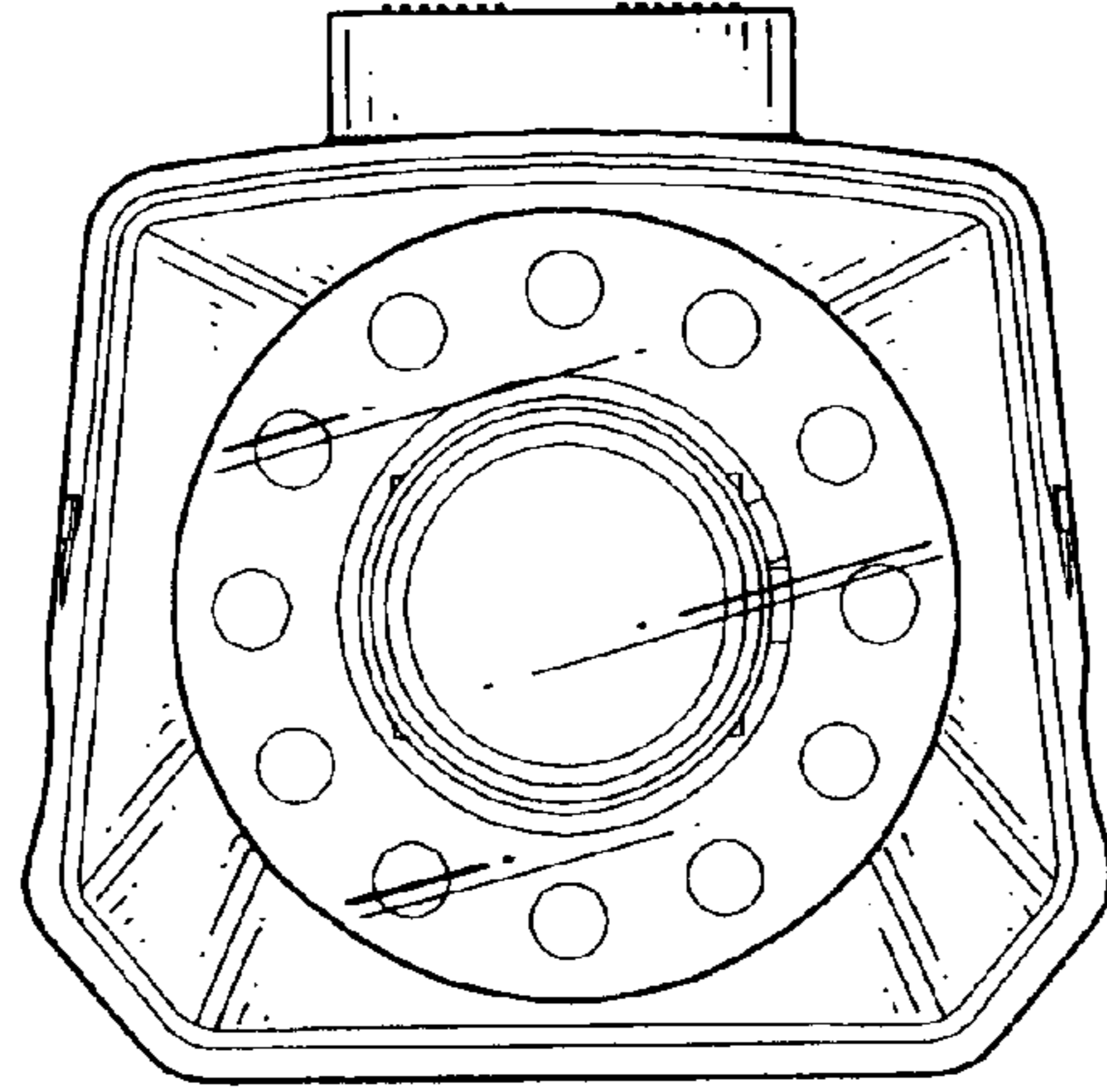


FIG. 2

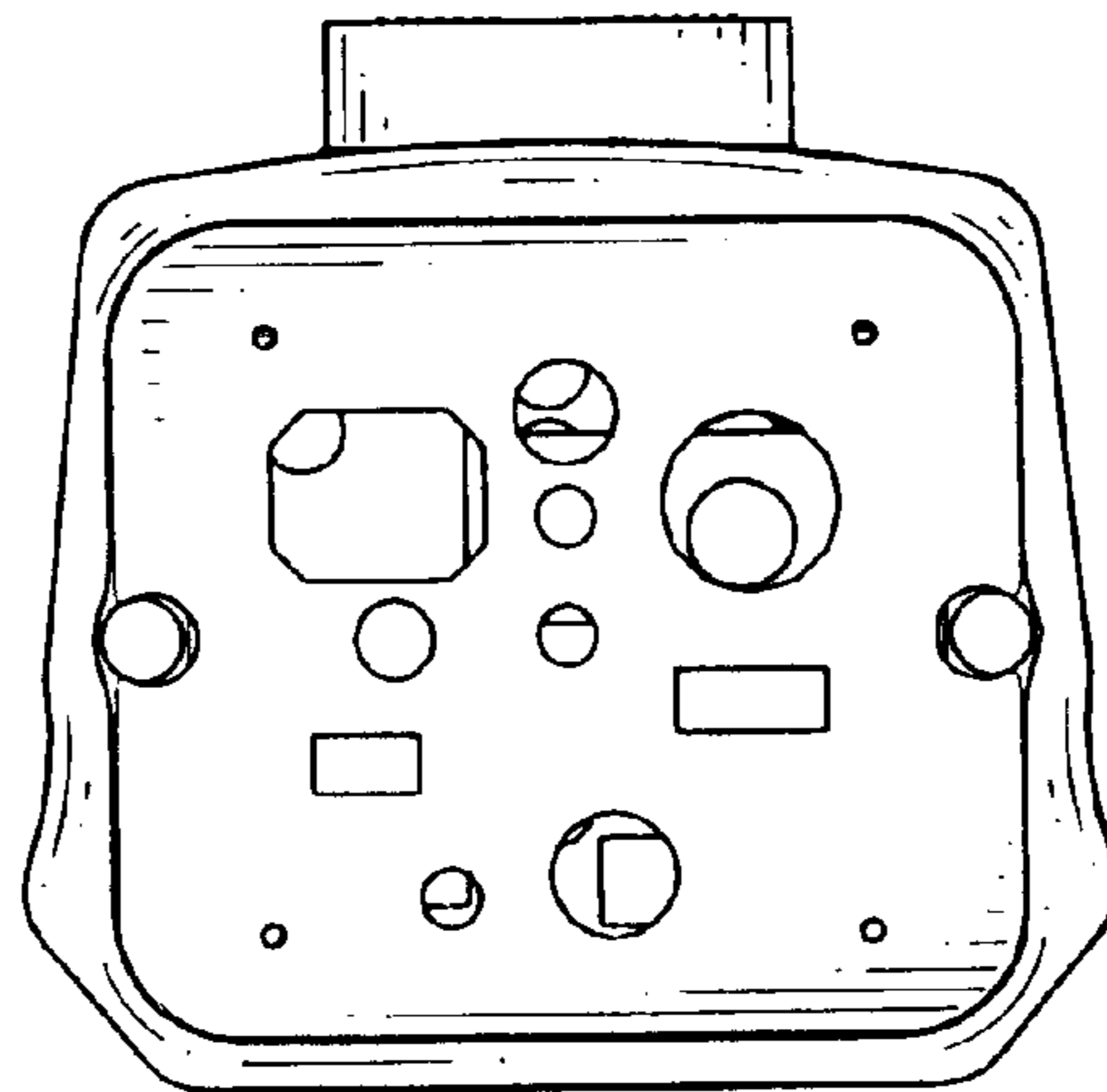


FIG. 3

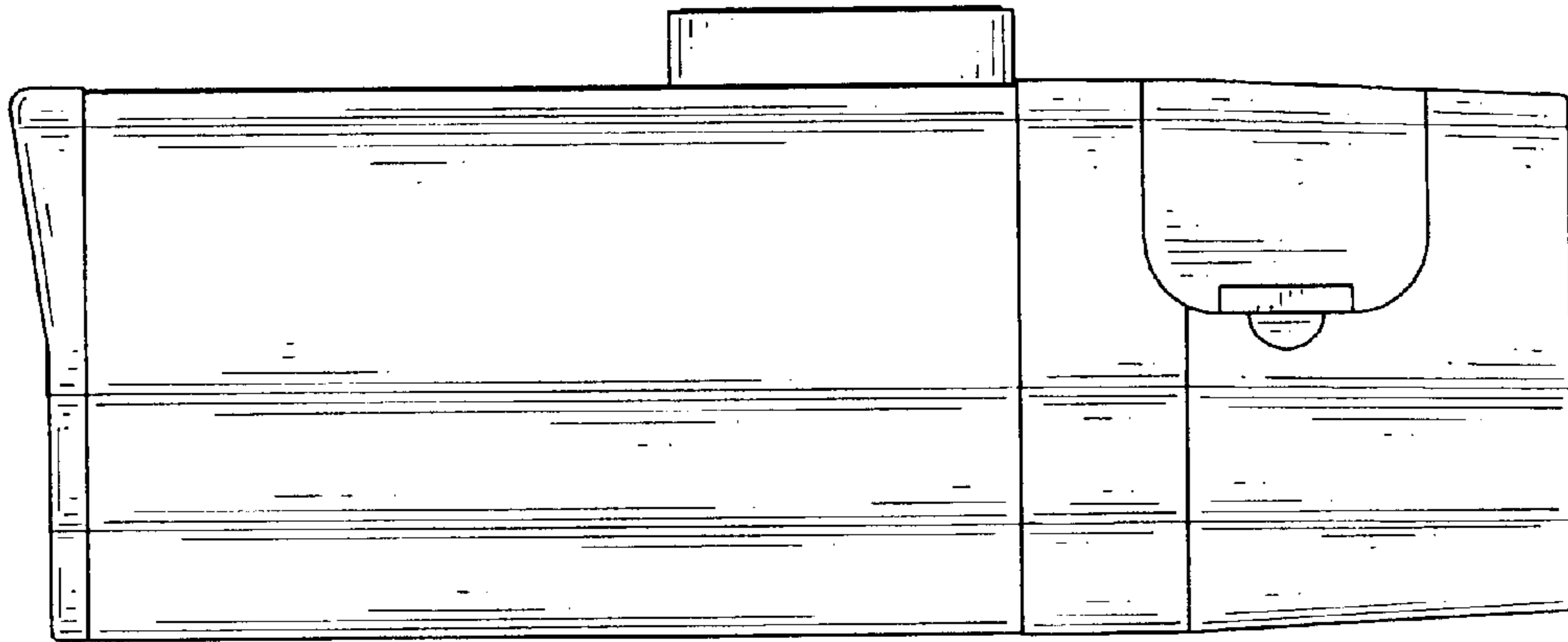


FIG. 4

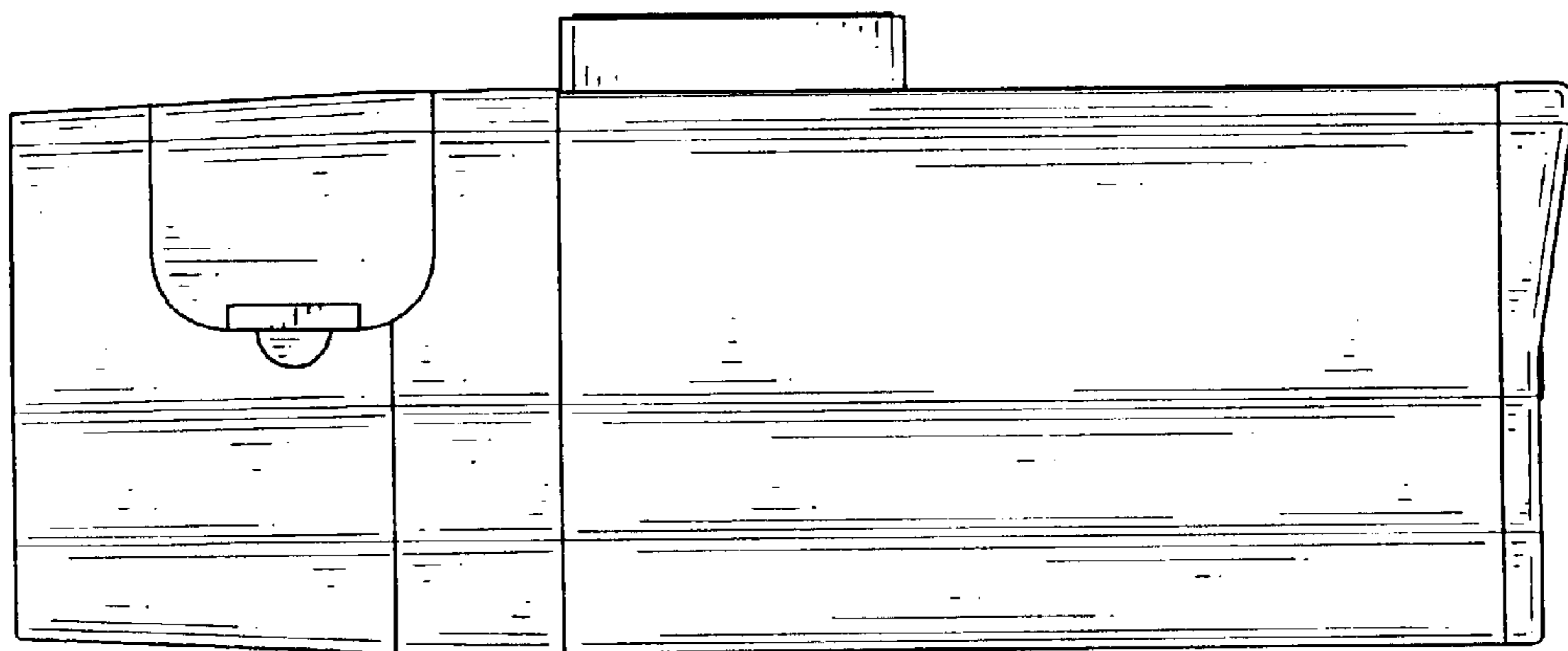


FIG. 5

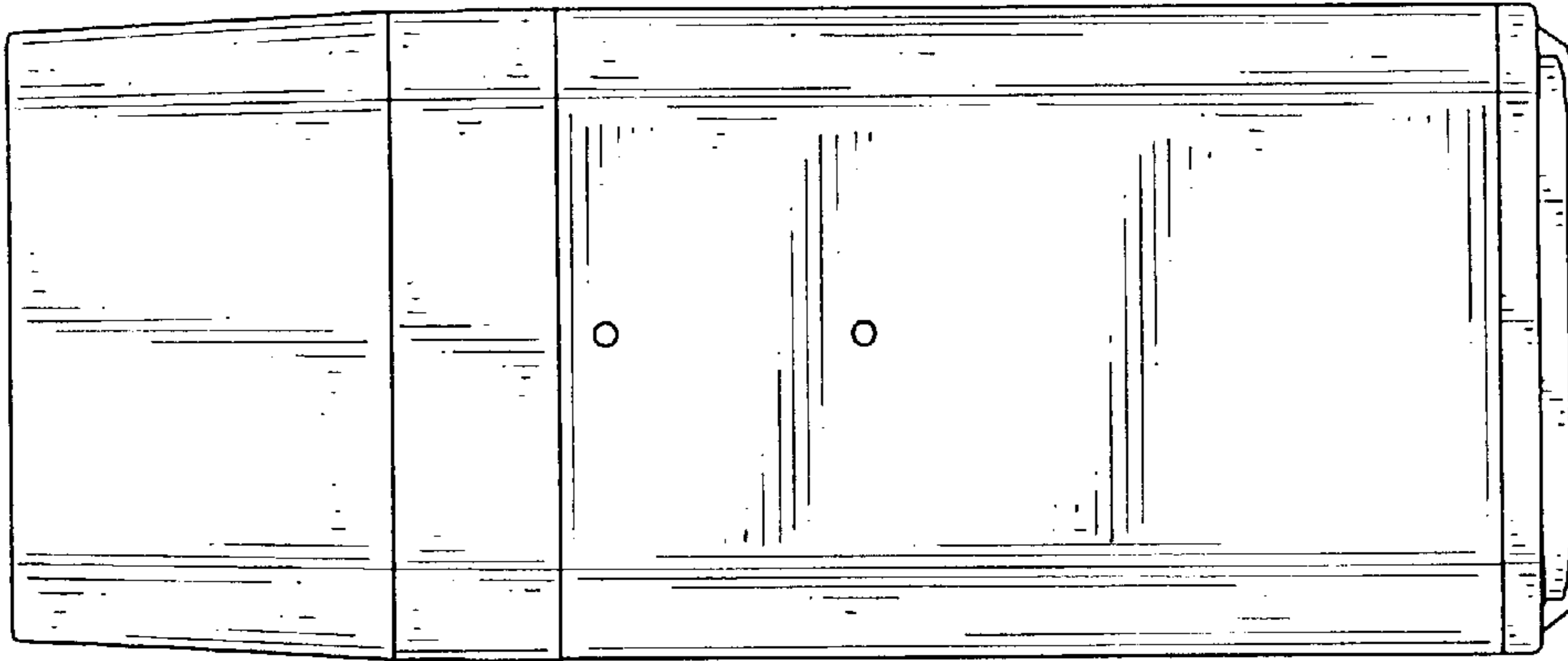


FIG. 7

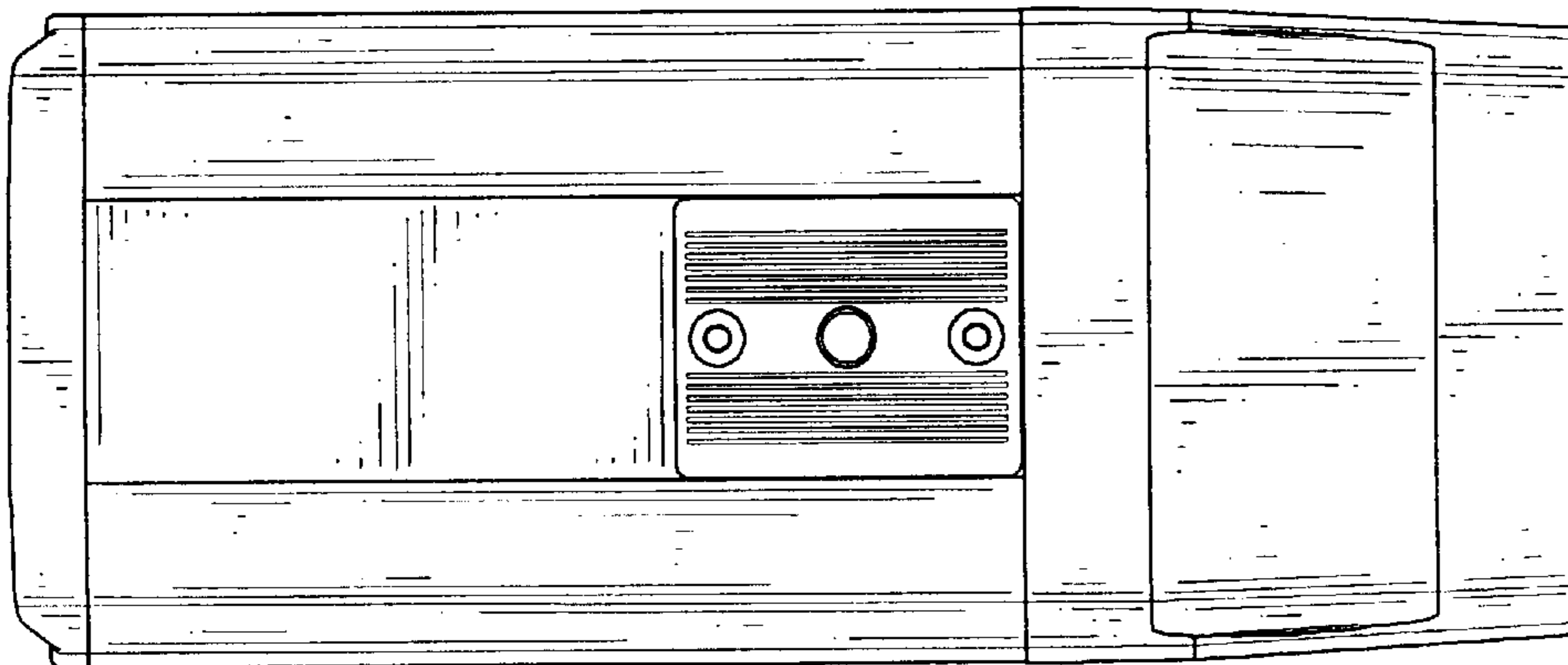


FIG. 6