

US00D529062S

(12) **United States Design Patent**
Matsuda

(10) **Patent No.:** **US D529,062 S**

(45) **Date of Patent:** **** *Sep. 26, 2006**

(54) **DIGITAL CAMERA**

(75) Inventor: **Takashi Matsuda**, Saitama (JP)

(73) Assignee: **PENTAX Corporation**, Tokyo (JP)

(*) Notice: This patent is subject to a terminal disclaimer.

(**) Term: **14 Years**

(21) Appl. No.: **29/221,632**

(22) Filed: **Jan. 21, 2005**

(30) **Foreign Application Priority Data**

Aug. 23, 2004 (JP) JP2004-025131

(51) **LOC (8) Cl.** **16-01**

(52) **U.S. Cl.** **D16/202**

(58) **Field of Classification Search** D16/200-206,
D16/208, 218; 348/231.6, 373-376; 358/909.1;
396/535-541

See application file for complete search history.

(56) **References Cited**

U.S. PATENT DOCUMENTS

- D356,809 S * 3/1995 Suyama et al. D16/209
- 5,754,227 A * 5/1998 Fukuoka 348/373
- D449,628 S * 10/2001 Obata et al. D16/202
- D456,430 S * 4/2002 Kobayashi et al. D16/202

- 6,630,958 B1 * 10/2003 Tanaka et al. 348/231.6
- D487,104 S * 2/2004 Obata D16/202
- D489,385 S * 5/2004 Lin D16/202
- 2002/0093574 A1 * 7/2002 Aoki et al. 348/231.6

* cited by examiner

Primary Examiner—Adir Aronovich

(74) *Attorney, Agent, or Firm*—Sughrue Mion, PLLC

(57) **CLAIM**

The ornamental design for a digital camera, as shown and described.

DESCRIPTION

FIG. 1 is a perspective view of the top, front and right sides of a digital camera showing my new design;

FIG. 2 is a top plan view thereof;

FIG. 3 is a front elevational view thereof;

FIG. 4 is a left side elevational view thereof;

FIG. 5 is a right side elevational view thereof;

FIG. 6 is a rear elevational view thereof;

FIG. 7 is a bottom plan view thereof;

FIG. 8 is a right side elevational view thereof, the zoom lens being in a fully extended position;

FIG. 9 is a front elevational view thereof, the lens being in an open position; and,

FIG. 10 is a front elevational view with an LCD screen rotated 180 degrees.

1 Claim, 6 Drawing Sheets

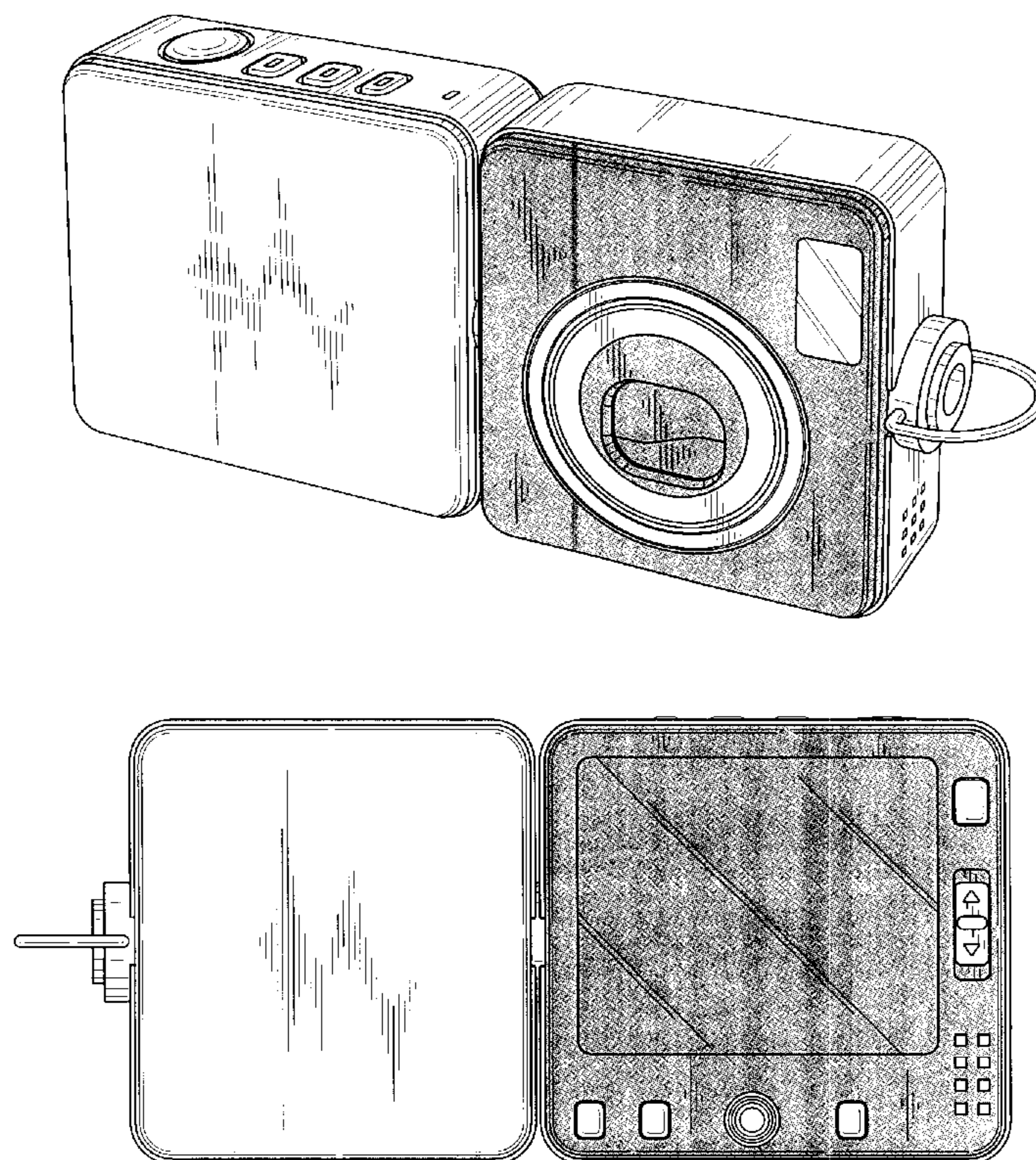


FIG. 1

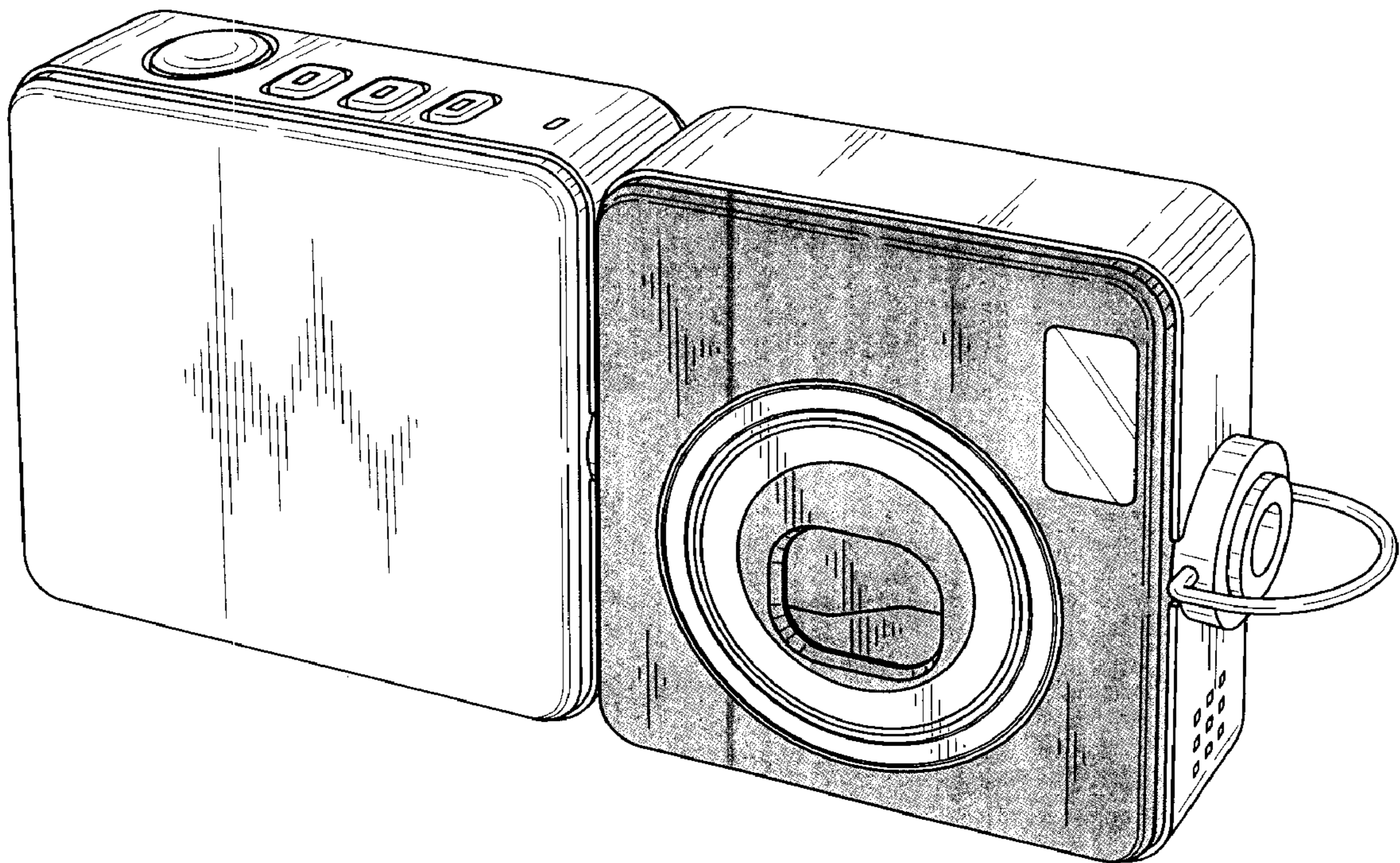


FIG. 2

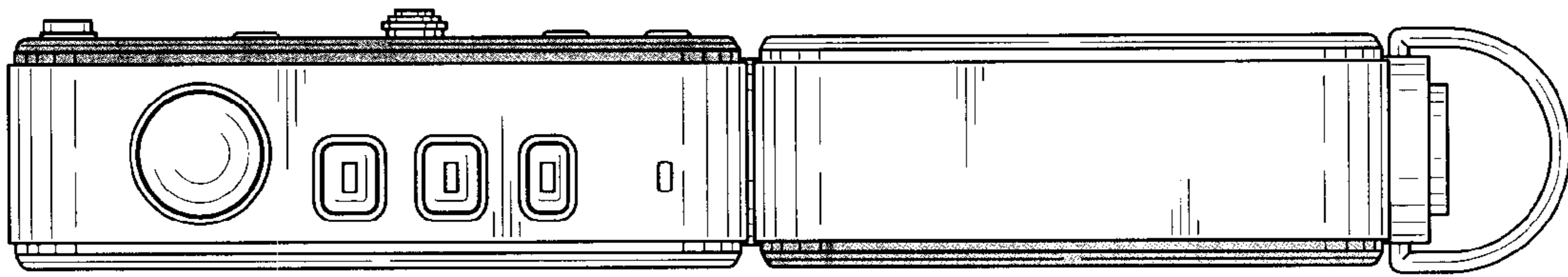


FIG. 3

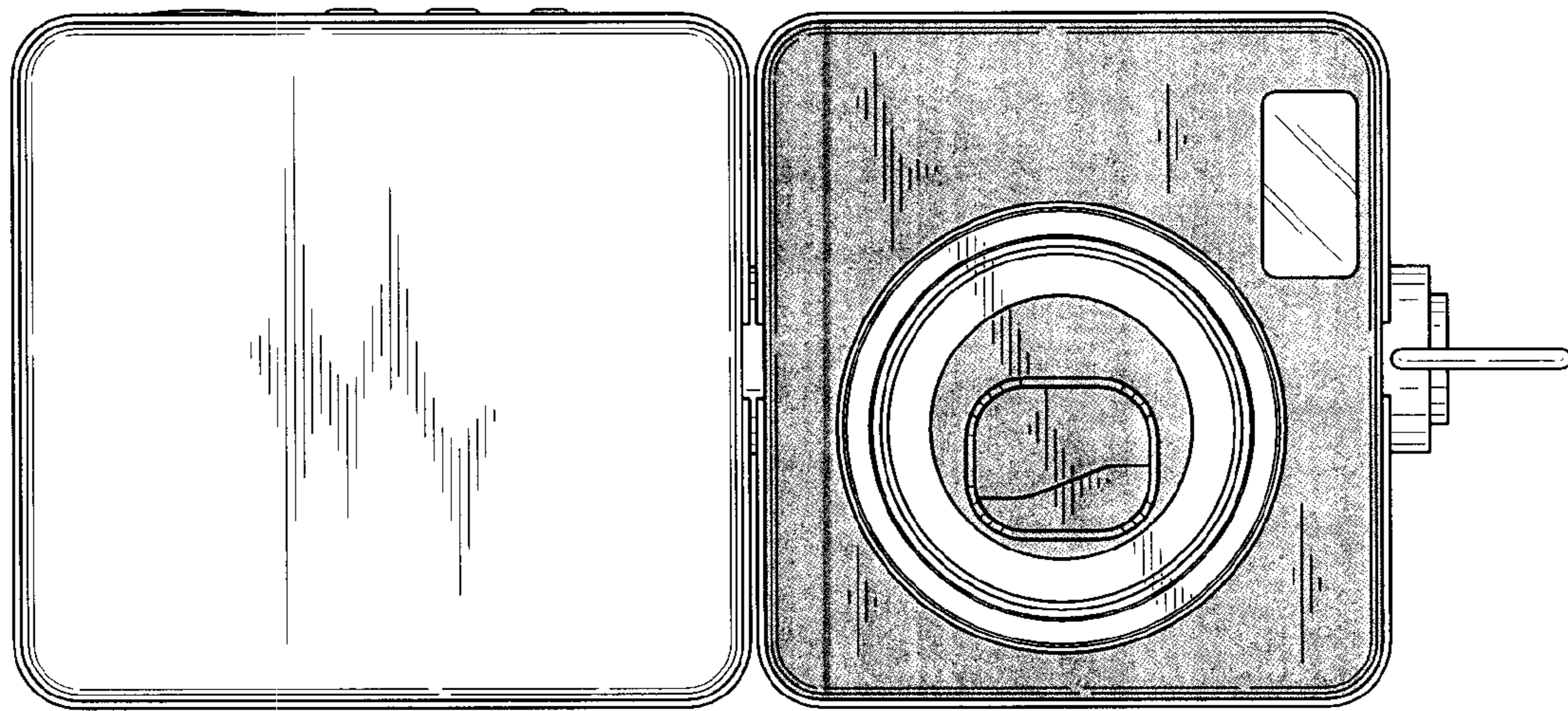


FIG. 4

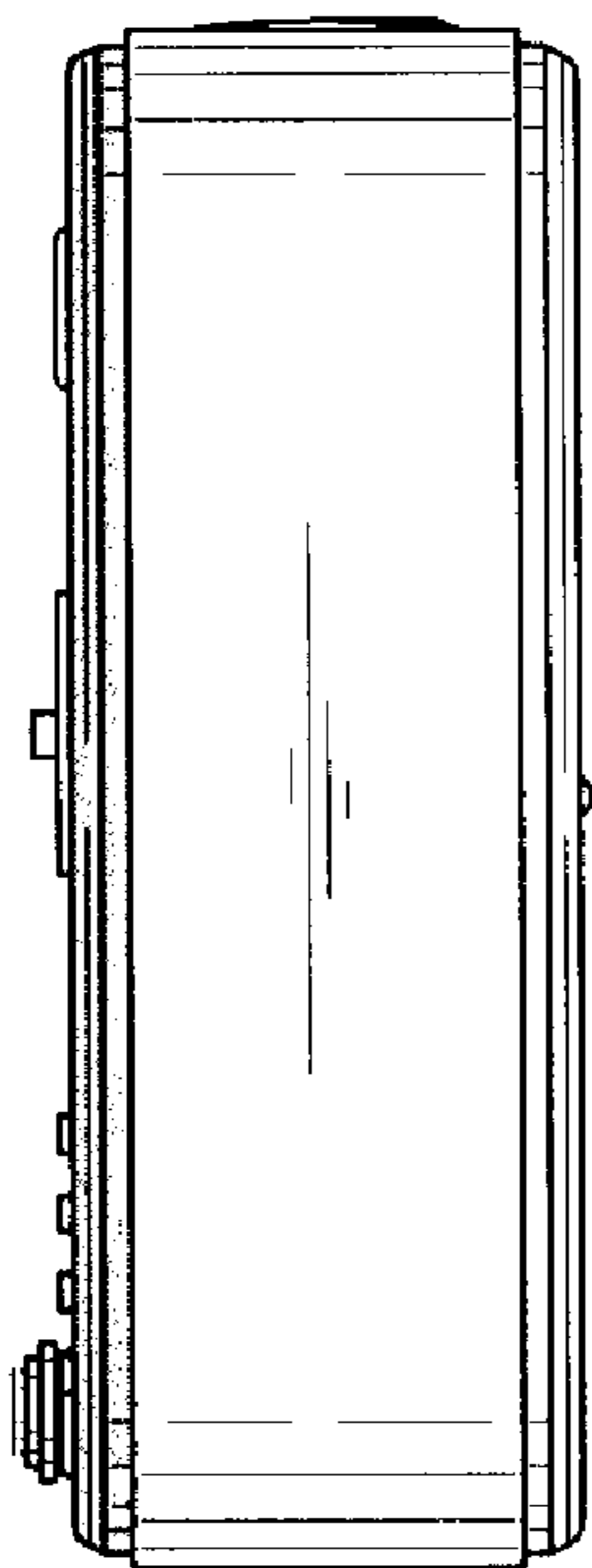


FIG. 5

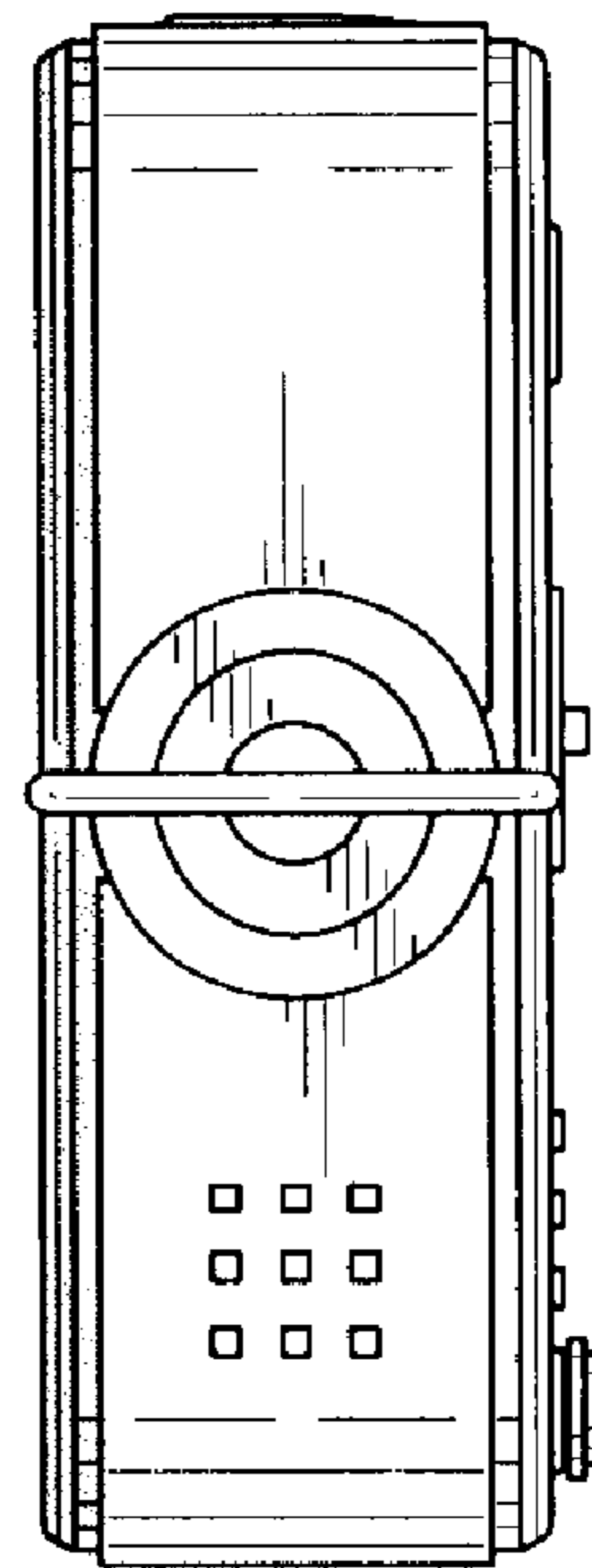


FIG. 6

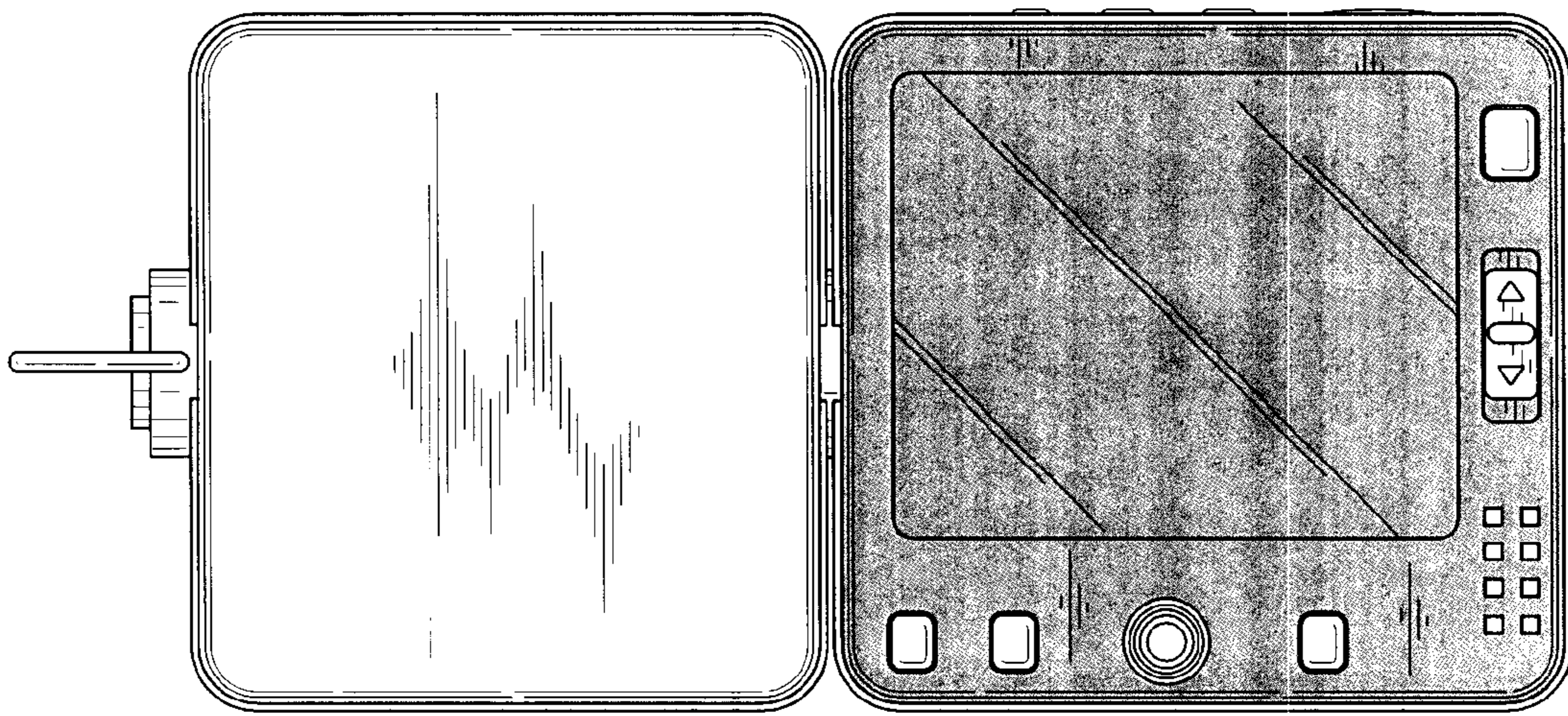


FIG. 7

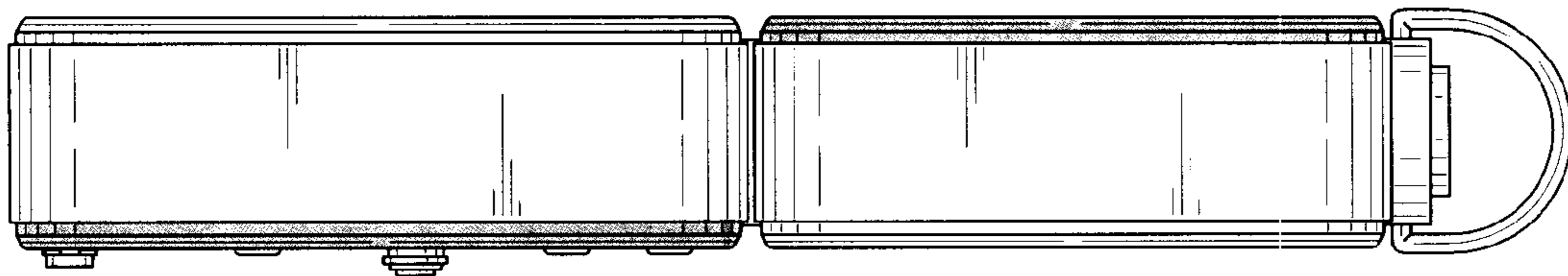


FIG. 8

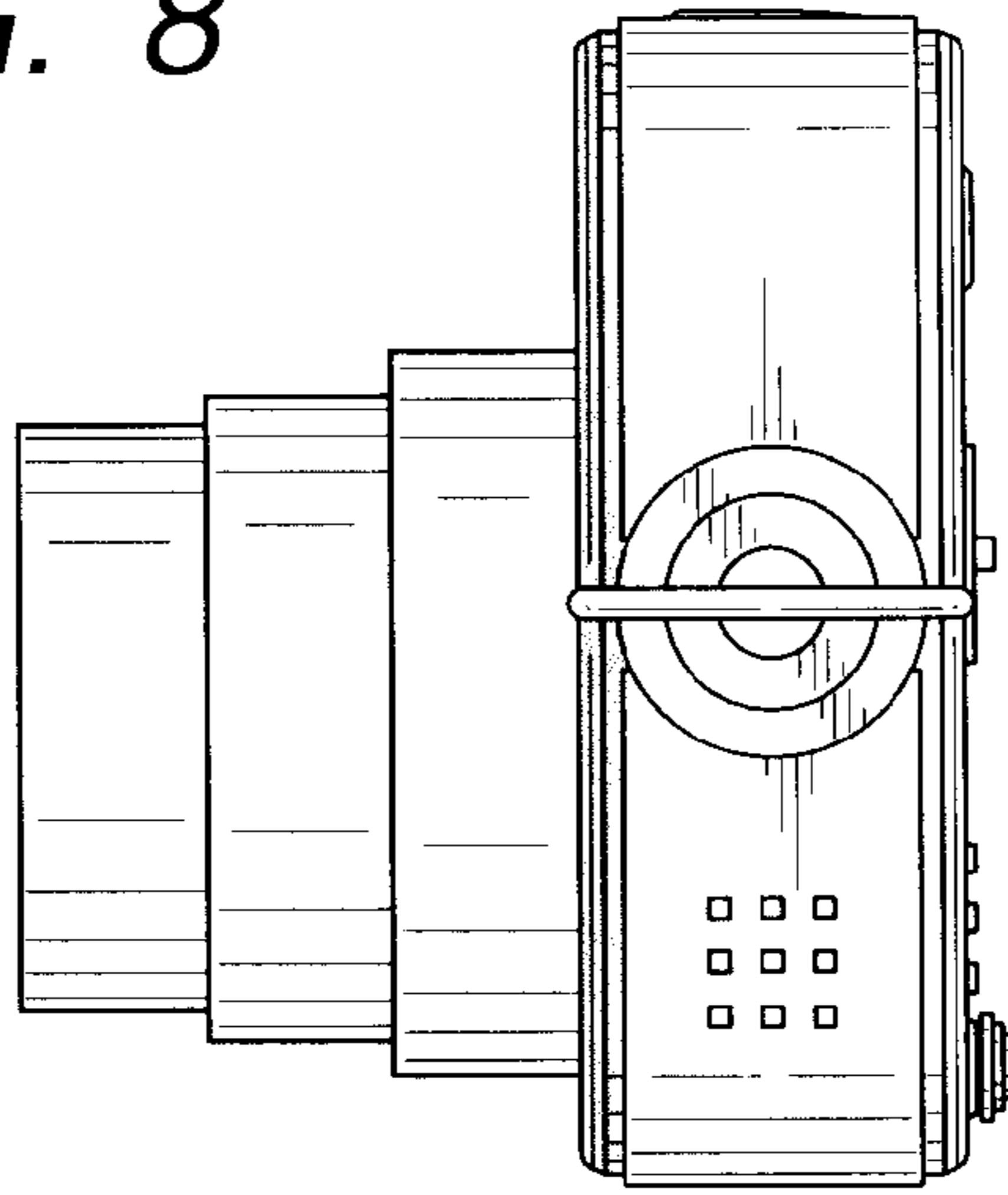


FIG. 9

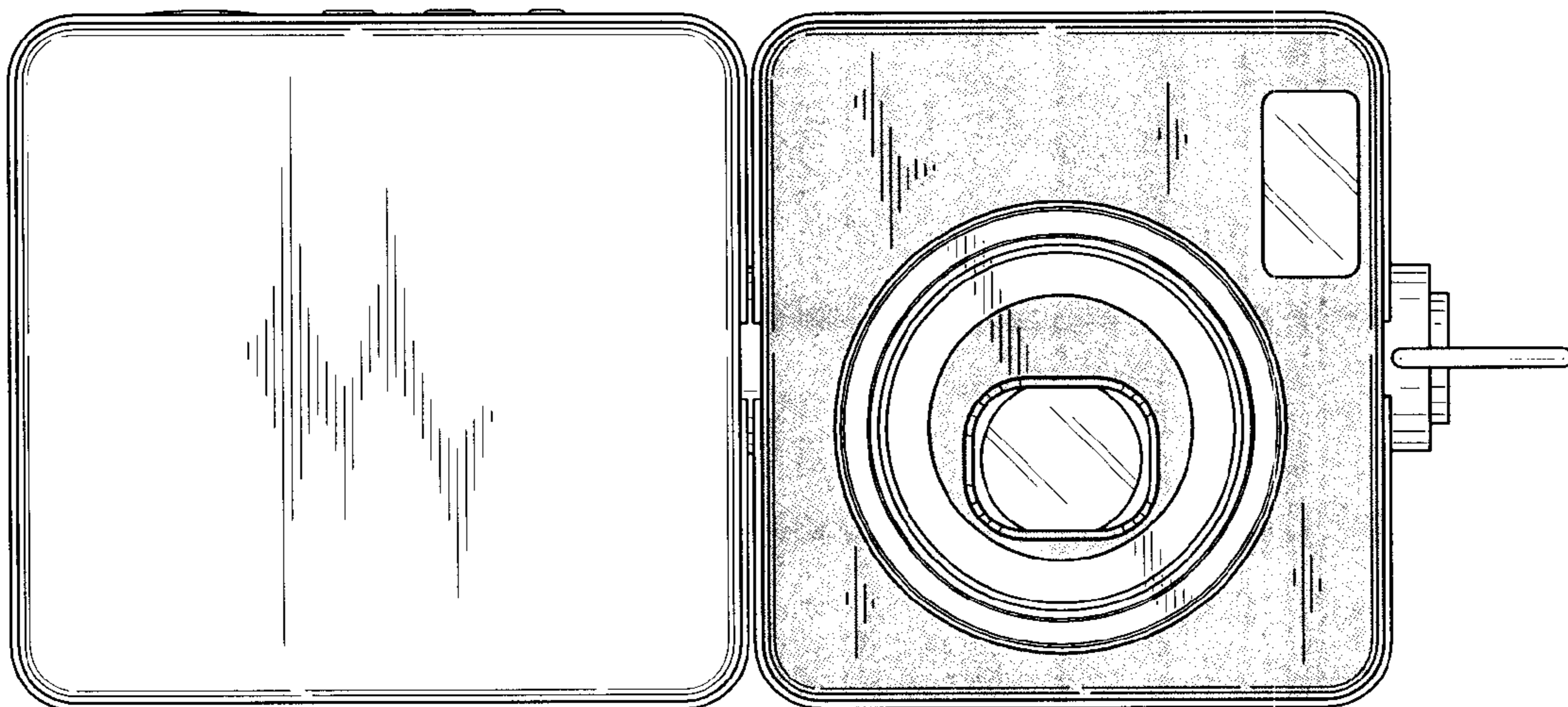


FIG. 10

