

US00D529061S

(12) **United States Design Patent**  
**Sprague**

(10) **Patent No.:** **US D529,061 S**

(45) **Date of Patent:** **\*\* Sep. 26, 2006**

- (54) **SIGHT GLASS**
- (75) Inventor: **Curtis Sprague**, Johnson City, TN (US)
- (73) Assignee: **Branham Corporation**, Johnson City, TN (US)
- (\*\*) Term: **14 Years**
- (21) Appl. No.: **29/235,088**
- (22) Filed: **Jul. 27, 2005**
- (51) **LOC (8) Cl.** ..... **16-06**
- (52) **U.S. Cl.** ..... **D16/135**
- (58) **Field of Classification Search** ..... D16/130,  
D16/132, 134, 135; D6/300; D8/382, 394;  
D21/330; 40/777, 780, 782, 785, 790, 721;  
235/70 B; 403/401; 27/1; 359/793, 895; 49/463  
See application file for complete search history.

- 3,935,656 A \* 2/1976 Pritchard ..... 40/790
- 4,176,480 A \* 12/1979 Euzarraga et al. .... 40/780
- 4,282,668 A \* 8/1981 Jolkovski ..... 40/790
- 5,950,288 A \* 9/1999 Bach Lahor ..... 27/1
- 6,055,757 A \* 5/2000 Carlsson ..... 40/790

\* cited by examiner

*Primary Examiner*—Paula A. Greene

(74) *Attorney, Agent, or Firm*—Craig M. Stainbrook;  
Stainbrook & Strainbrook, LLP

(57) **CLAIM**

The ornamental design for a sight glass, as shown and described.

**DESCRIPTION**

FIG. 1 is a left front perspective view of a sight glass showing my new design, the bottom is a mirror image of the top;

FIG. 2 is a front elevational view thereof, the undisclosed rear is unornamented and not part of the claimed design; and,

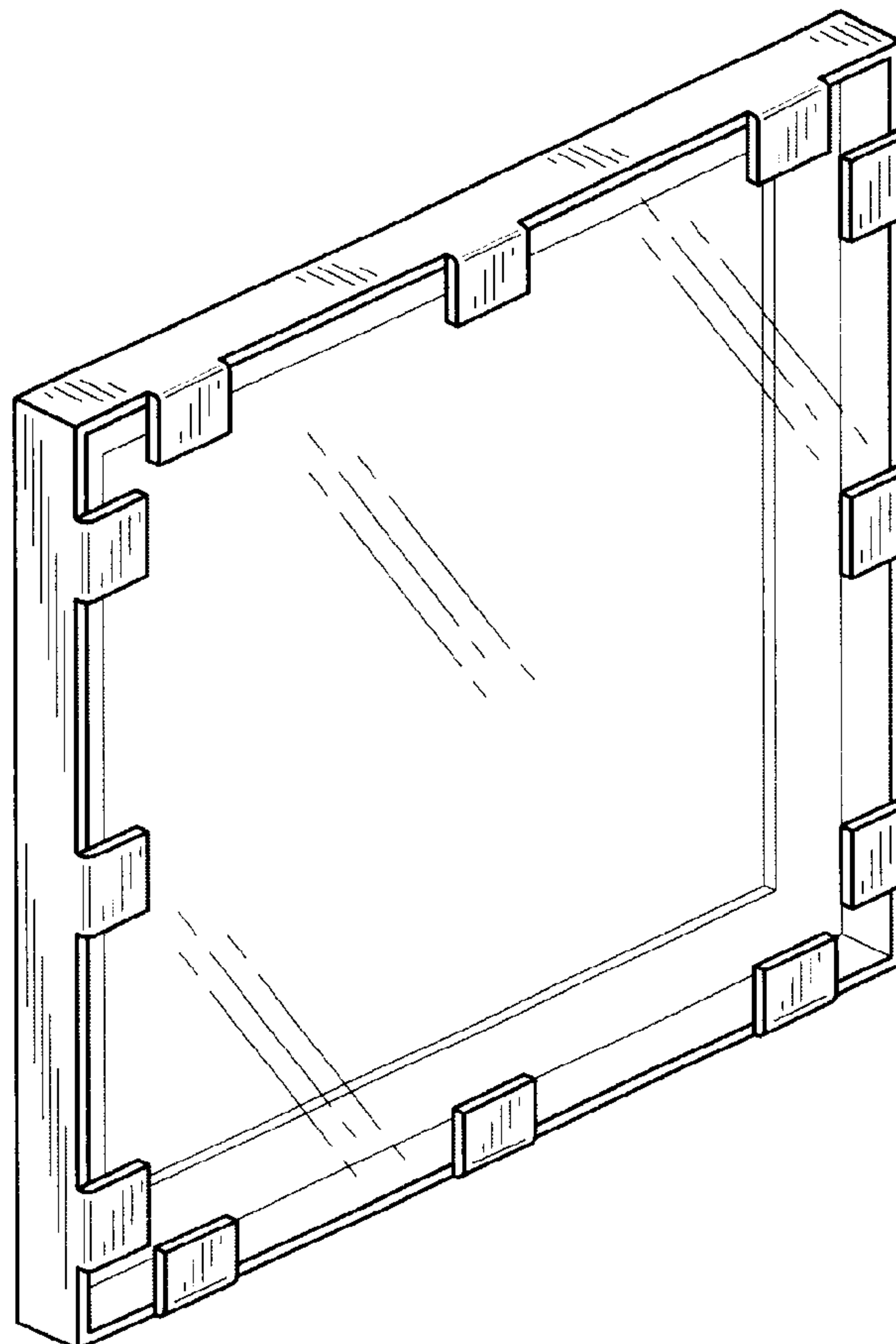
FIG. 3 is a right side elevational view thereof, the left side is a mirror image.

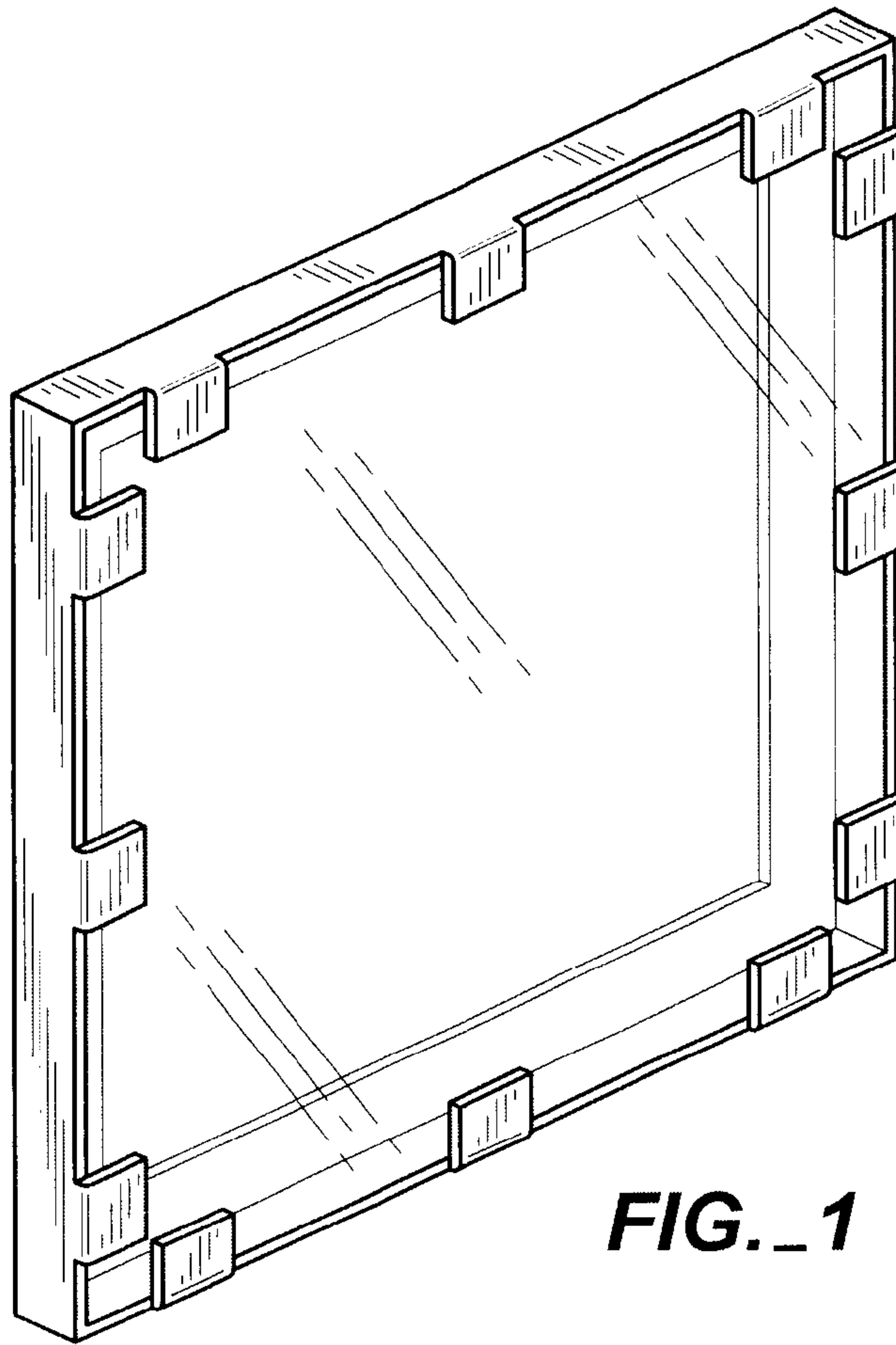
(56) **References Cited**

U.S. PATENT DOCUMENTS

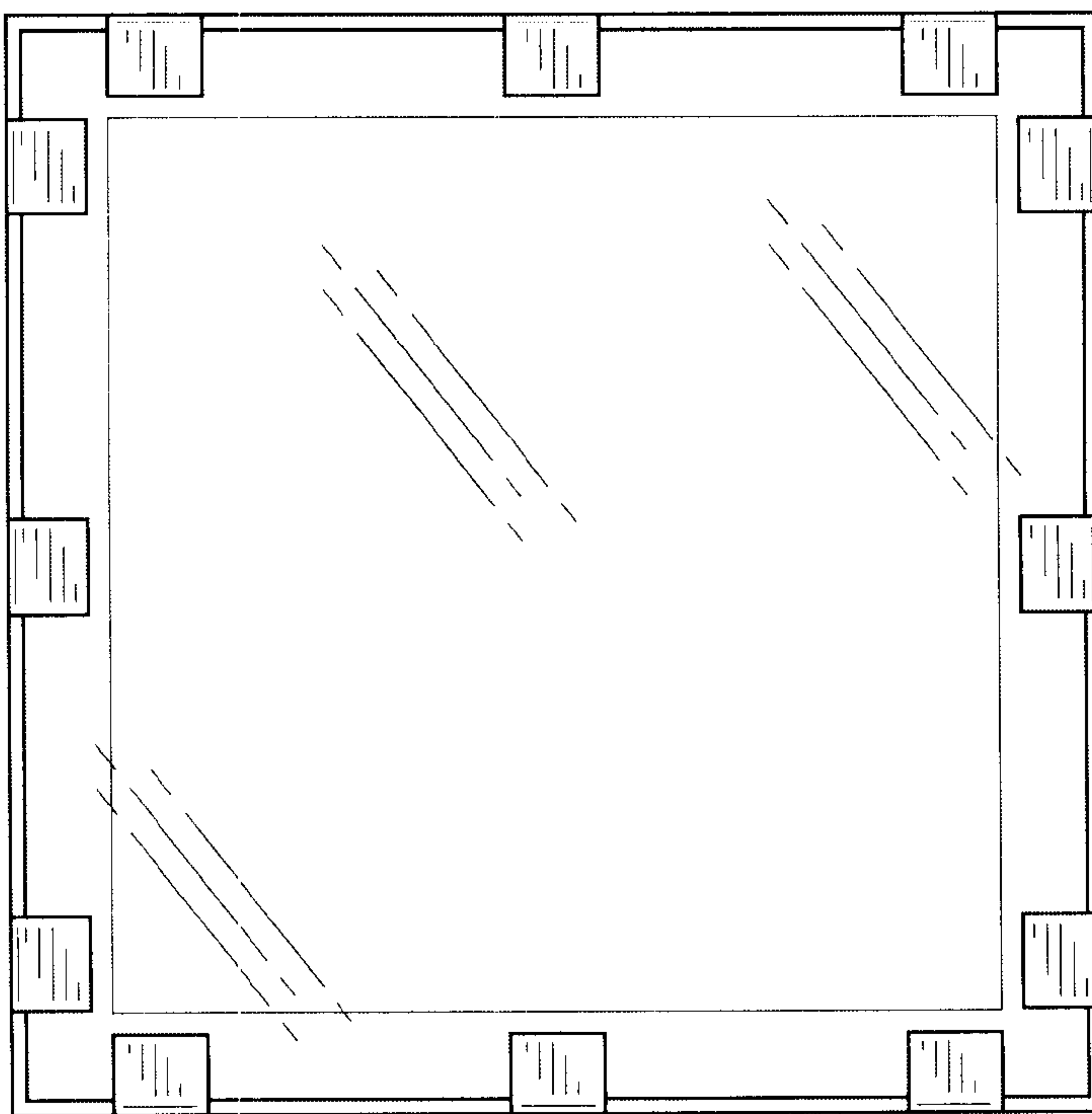
- 374,645 A \* 12/1887 Watkins ..... 40/790
- 2,312,542 A \* 3/1943 Goodman ..... 359/793
- 2,450,330 A \* 9/1948 De Giers ..... 49/463
- 2,538,502 A \* 1/1951 Boehm ..... 235/70 B

**1 Claim, 1 Drawing Sheet**





**FIG.\_1**



**FIG.\_2**



**FIG.\_3**