



US00D529060S

(12) **United States Design Patent**
Iwasaki et al.

(10) **Patent No.:** **US D529,060 S**

(45) **Date of Patent:** **** Sep. 26, 2006**

(54) **BINOCULAR**

(75) Inventors: **Osamu Iwasaki**, Tokyo (JP); **Takaharu Kobayashi**, Saitama (JP)

(73) Assignee: **Fujinon Corporation**, Saitama (JP)

(**) Term: **14 Years**

(21) Appl. No.: **29/235,815**

(22) Filed: **Aug. 8, 2005**

(30) **Foreign Application Priority Data**

Feb. 8, 2005 (JP) 2005-003201
Feb. 8, 2005 (JP) 2005-003203

(51) **LOC (8) Cl.** **16-06**

(52) **U.S. Cl.** **D16/133**

(58) **Field of Classification Search** D16/130,
D16/133; 359/408, 409, 410, 411, 412, 413,
359/414, 415, 416, 417, 418, 419, 425, 825
See application file for complete search history.

(56) **References Cited**

U.S. PATENT DOCUMENTS

D223,298 S * 4/1972 Senda et al. D16/133
4,867,533 A * 9/1989 Akin, Jr. 359/425
D307,154 S * 4/1990 Shishikura D16/133
D359,972 S * 7/1995 Takahashi D16/133
D412,177 S * 7/1999 Fujii D16/133
D478,340 S * 8/2003 Hayamizu D16/133
D507,289 S * 7/2005 Meinzer D16/133

* cited by examiner

Primary Examiner—Paula A. Greene

(74) *Attorney, Agent, or Firm*—Young & Thompson

(57) **CLAIM**

The ornamental design for a binocular, as shown and described.

DESCRIPTION

FIG. 1 is a top, front and side perspective view of a binocular showing our new design;

FIG. 2 is a front elevational view thereof;

FIG. 3 is a rear elevational view thereof;

FIG. 4 is a top plan view thereof;

FIG. 5 is a bottom plan view thereof;

FIG. 6 is a side elevational view thereof from the left of FIG. 2;

FIG. 7 is a side elevational view thereof from the right of FIG. 2;

FIG. 8 is a top, rear and side perspective view thereof; and

FIG. 9 is a top, front, and side perspective view of a second embodiment of a binocular showing our new design;

FIG. 10 is a front elevational view thereof;

FIG. 11 is a rear elevational view thereof;

FIG. 12 is a top plan view thereof;

FIG. 13 is a bottom plan view thereof;

FIG. 14 is a side elevational view thereof from the left of FIG. 10;

FIG. 15 is a side elevational view thereof from the right of FIG. 10; and,

FIG. 16 is a top, rear, and side perspective view thereof.

1 Claim, 8 Drawing Sheets

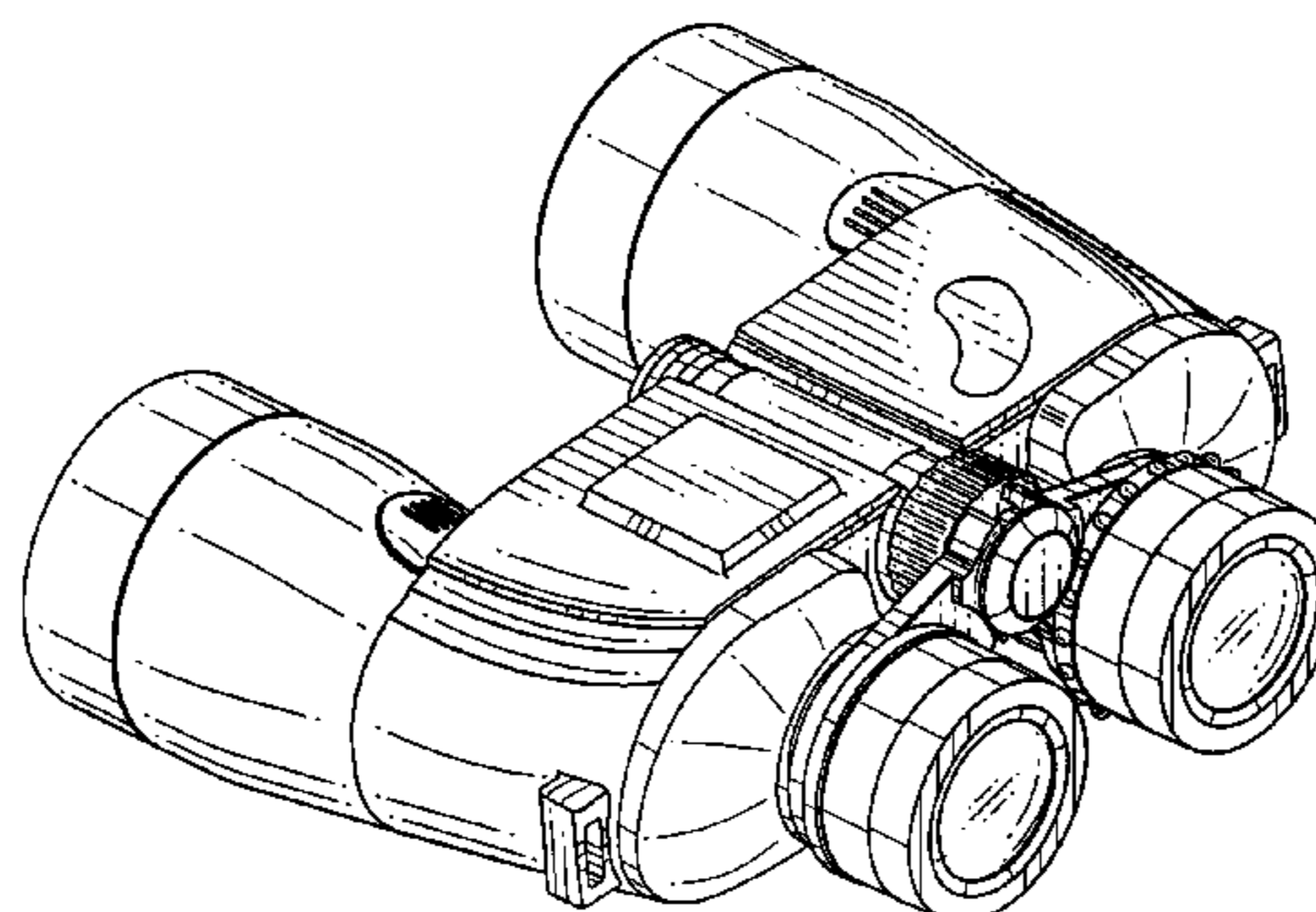
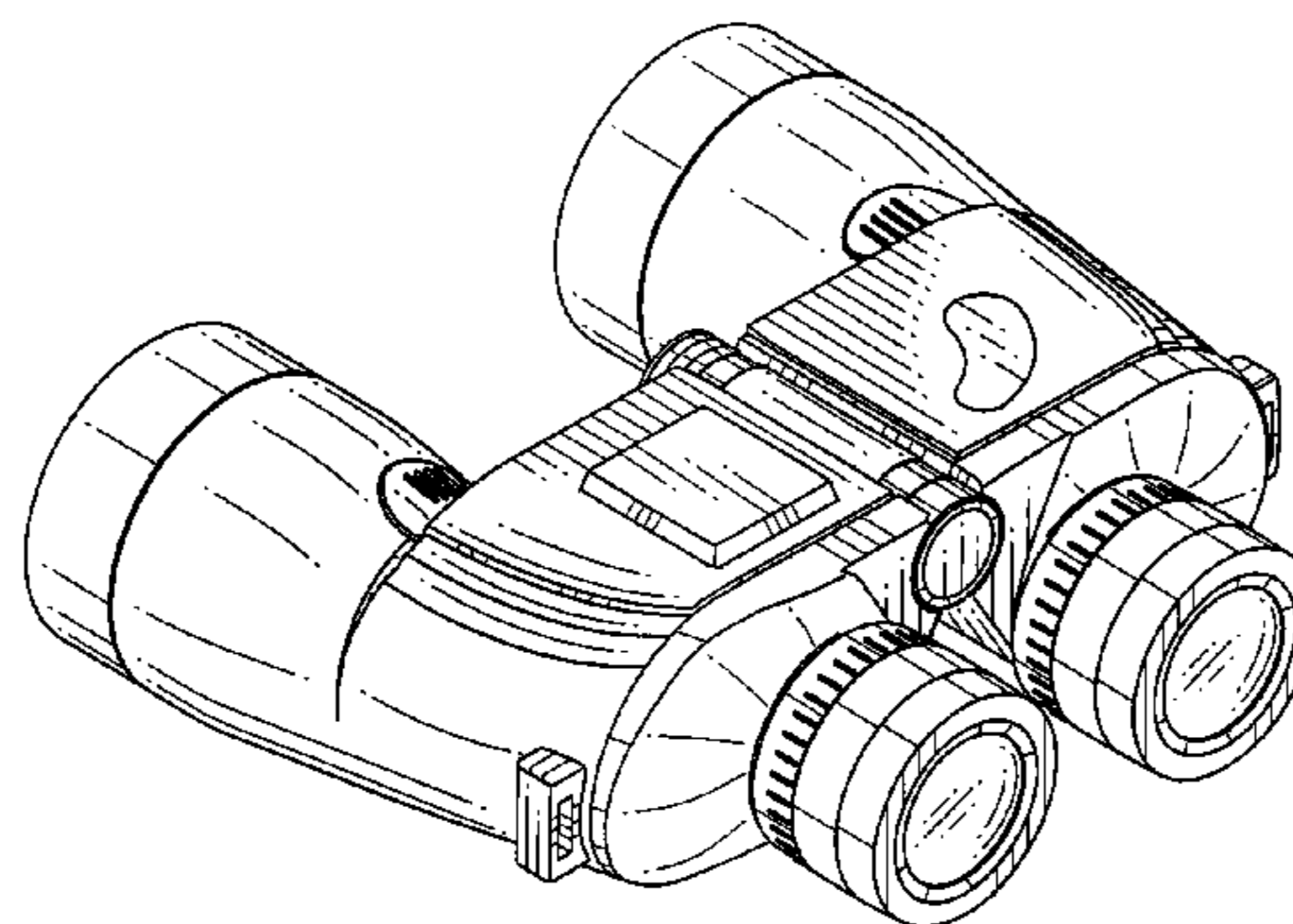


FIG. 1

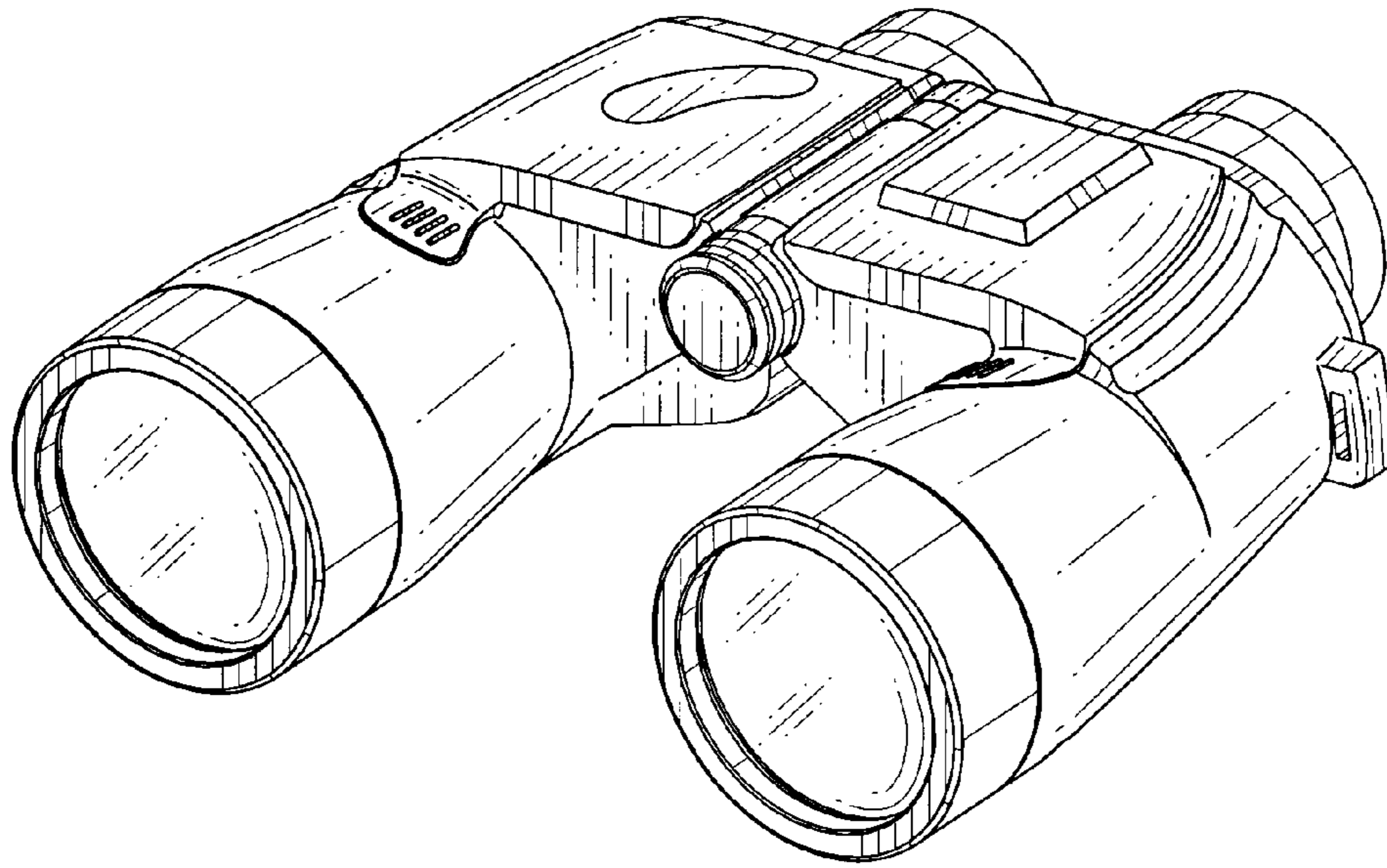


FIG. 2

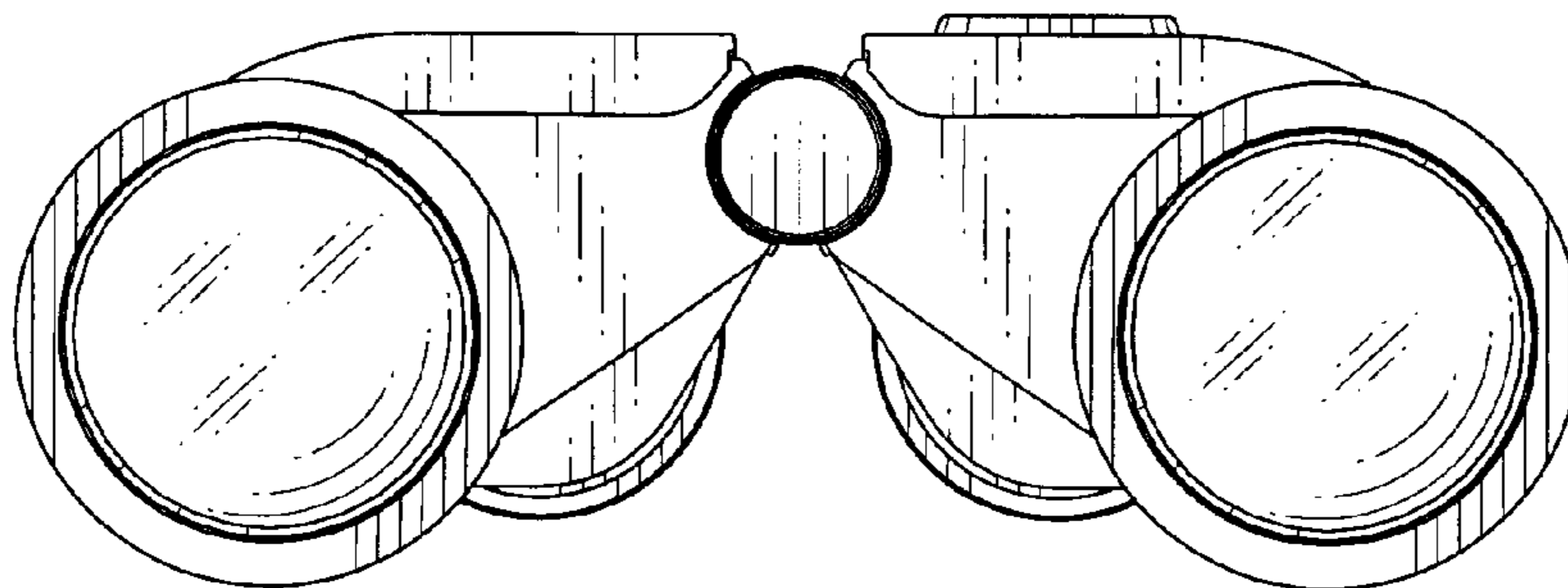


FIG.3

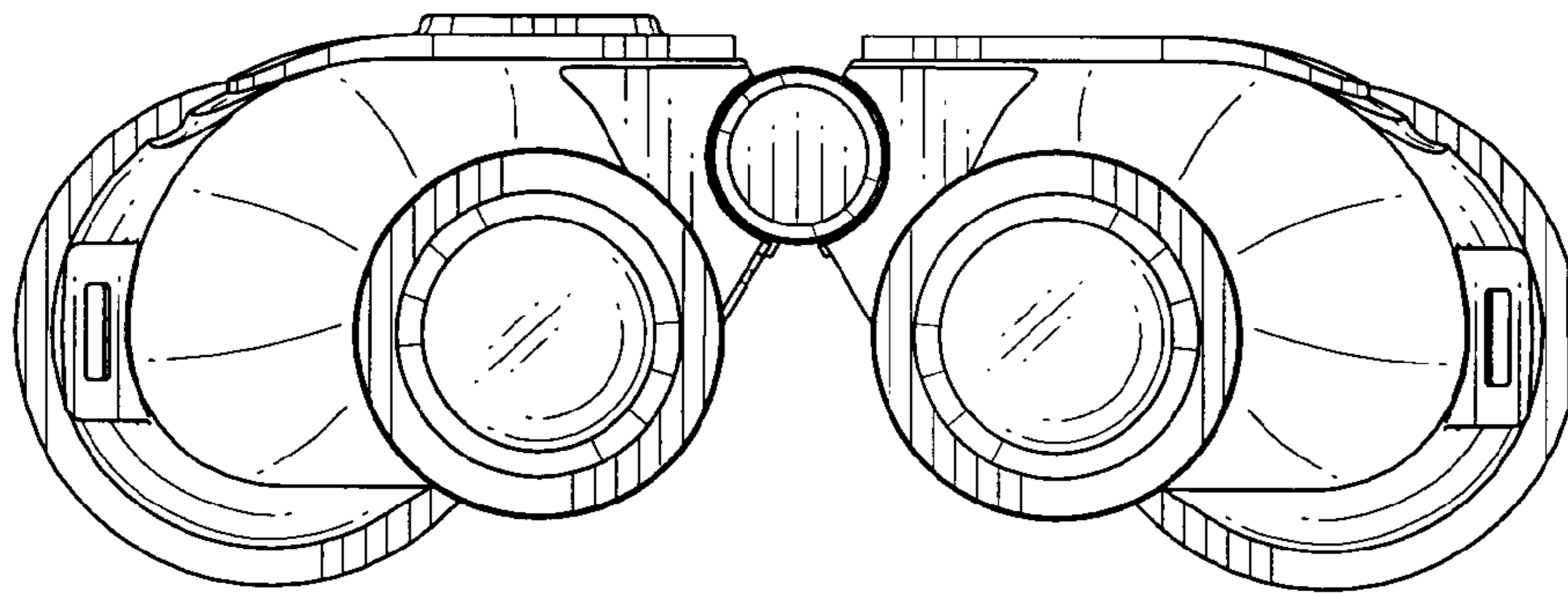


FIG.4

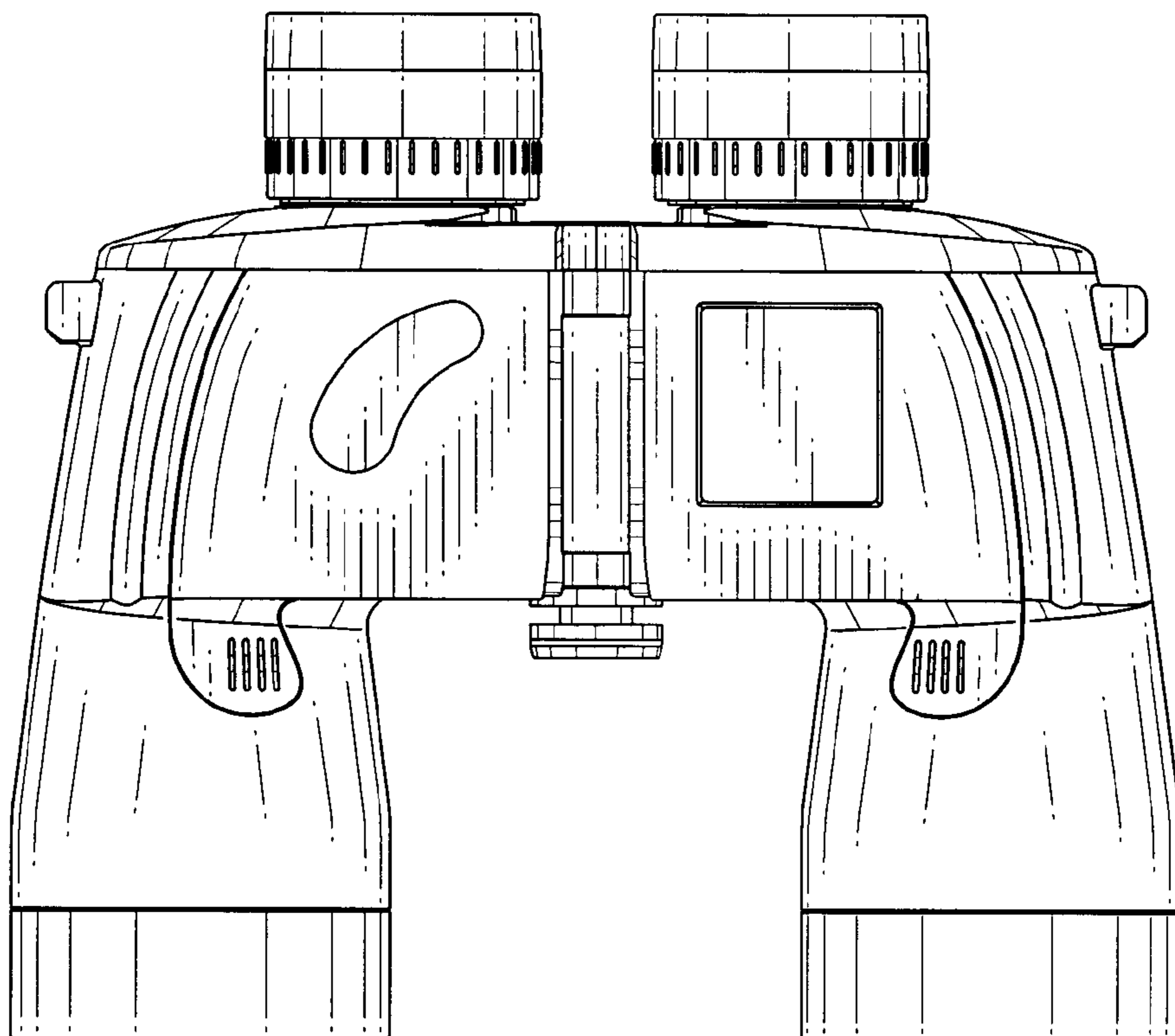


FIG.5

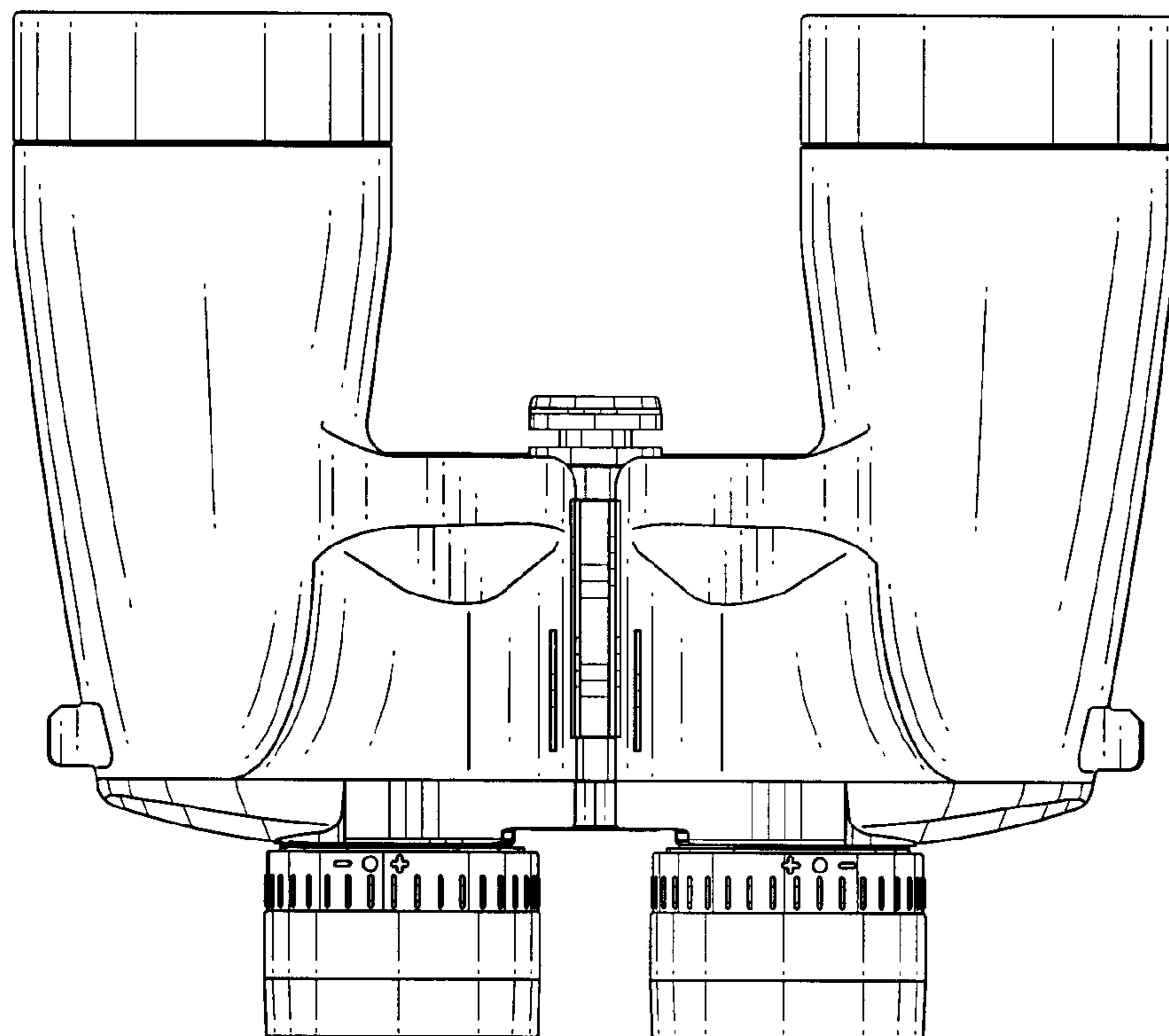


FIG.6

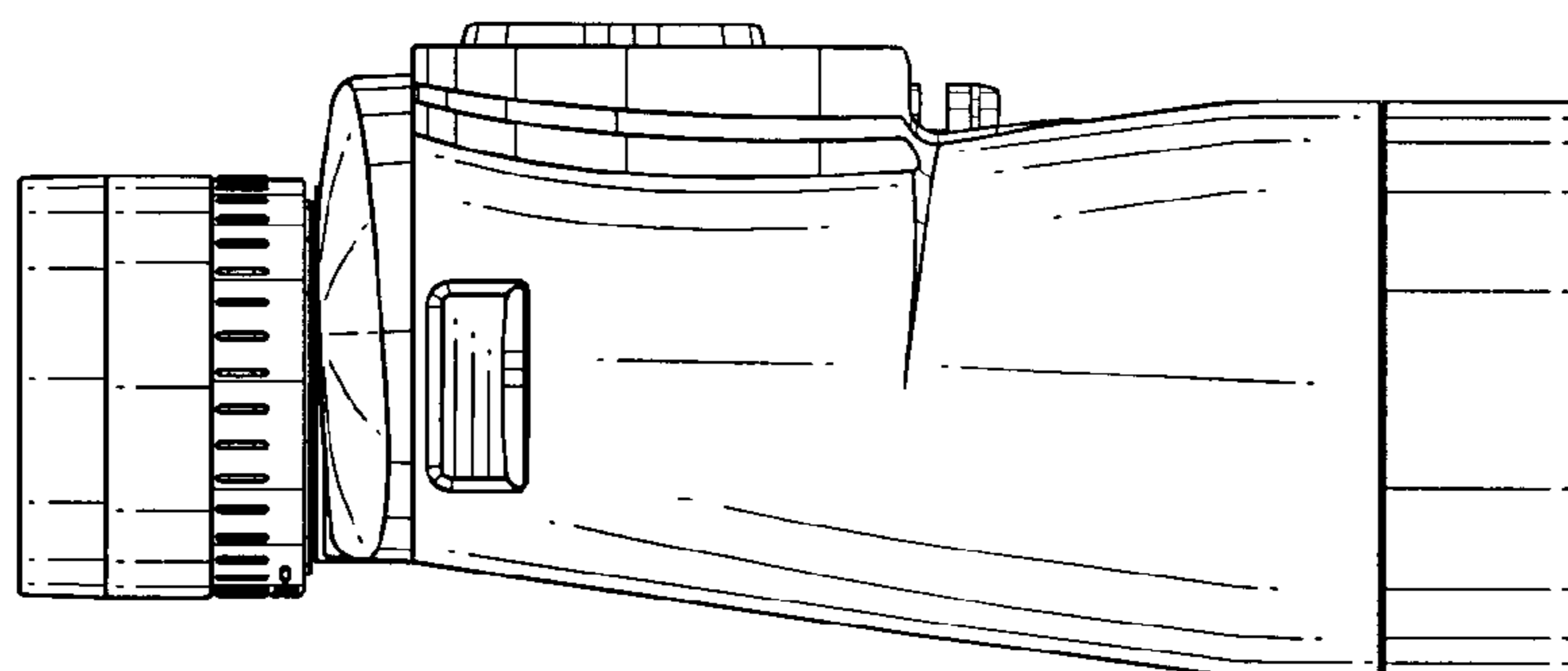


FIG.7

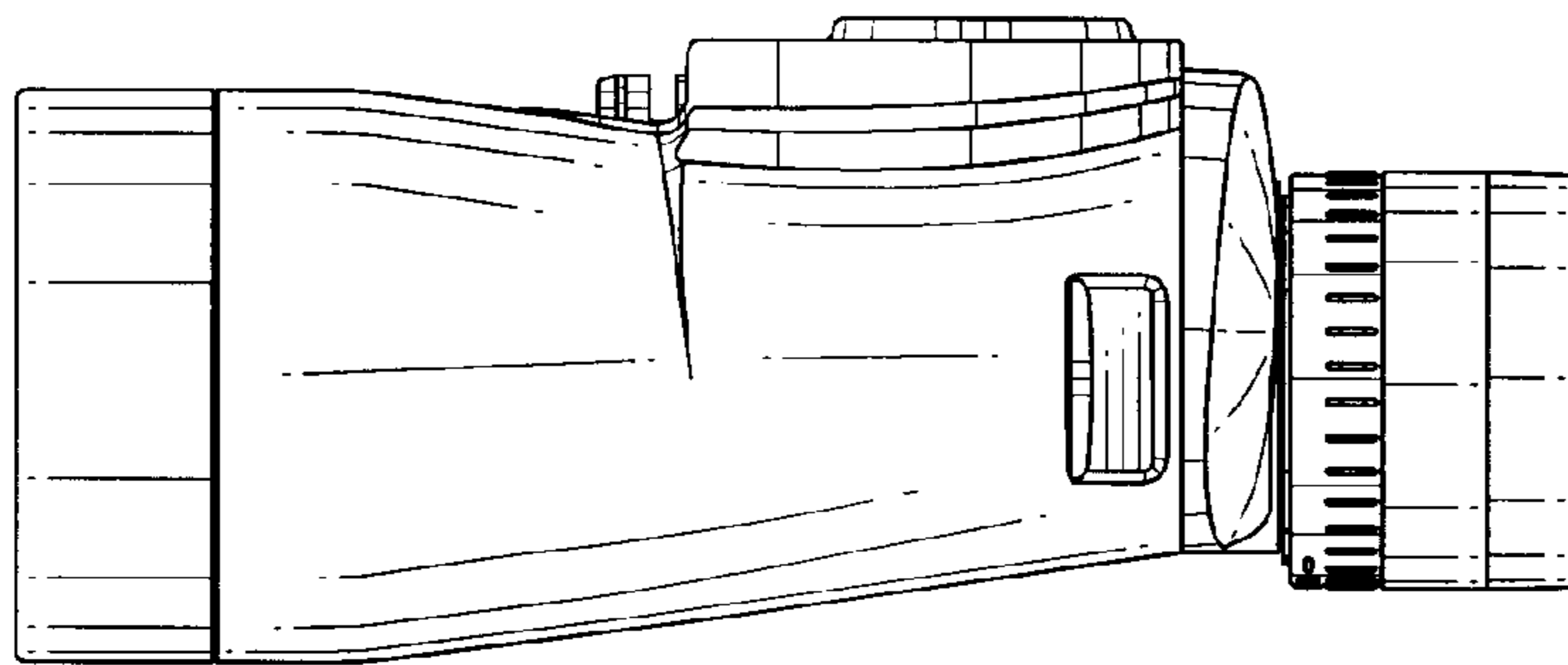


FIG.8

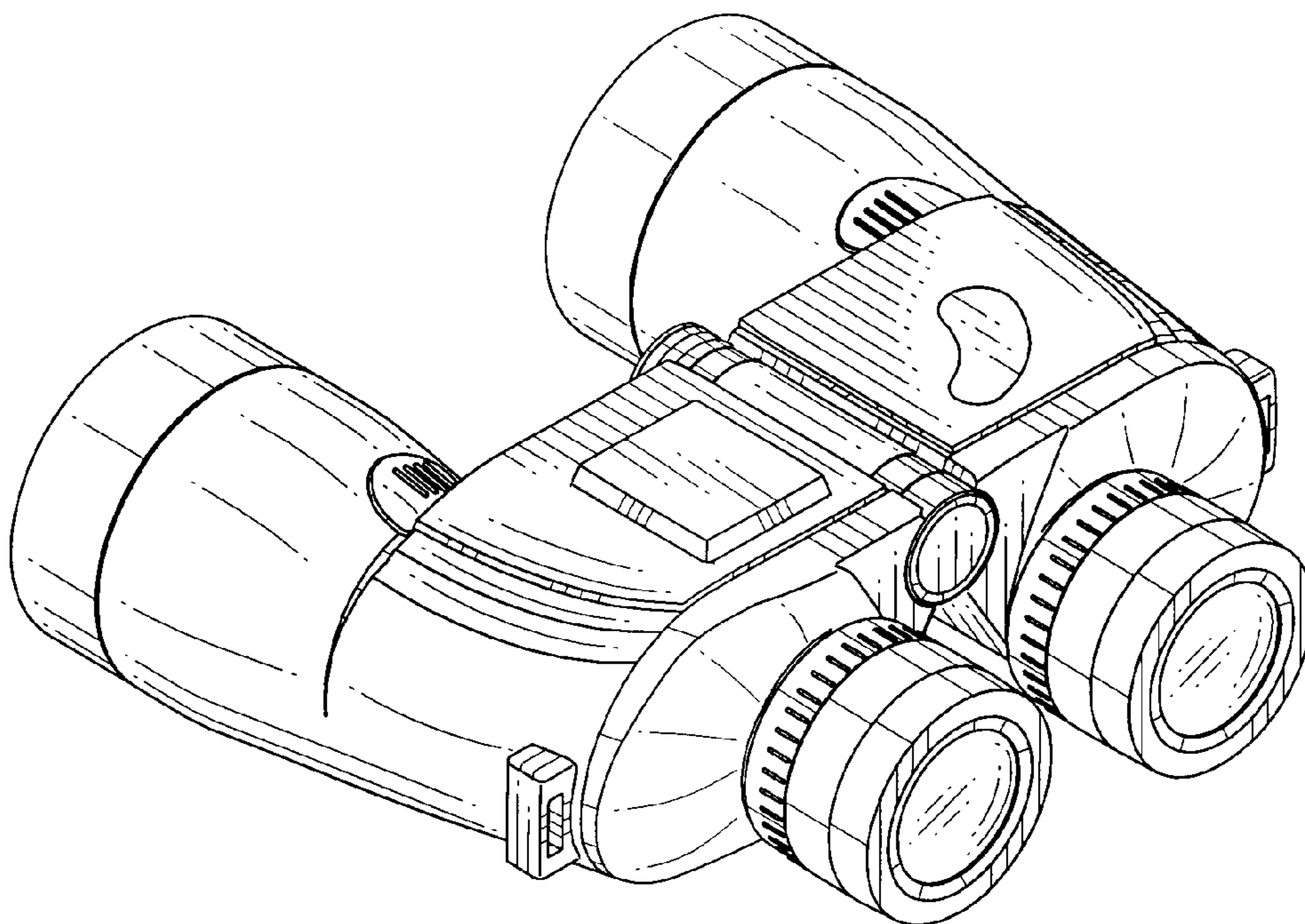


FIG. 9

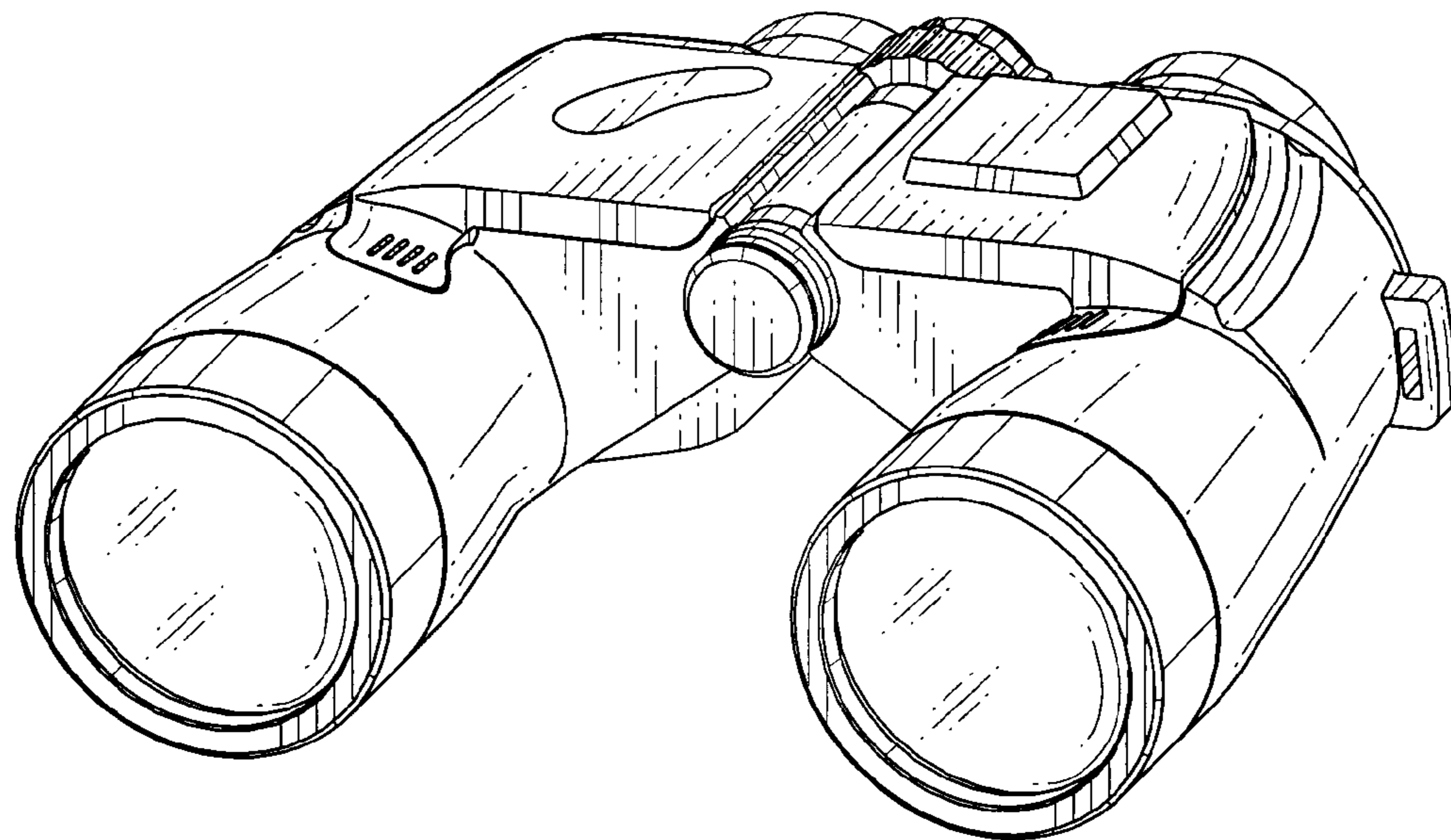


FIG. 10

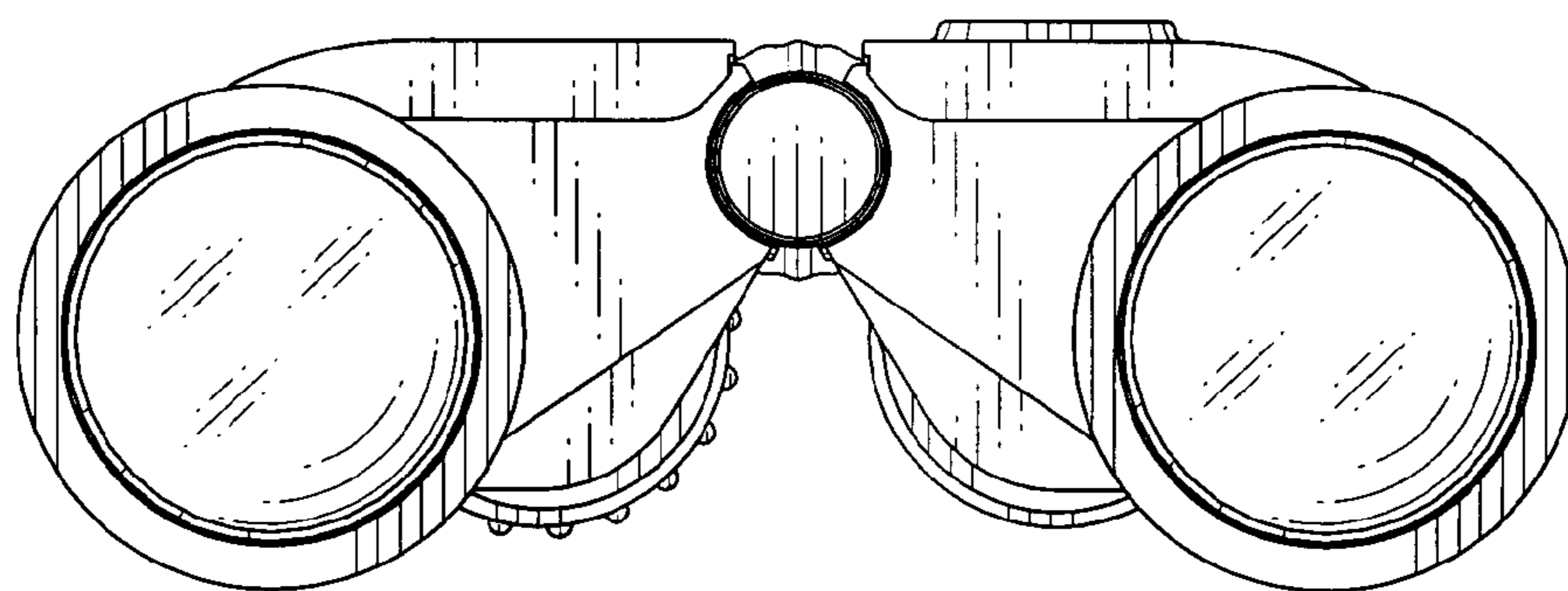


FIG.11

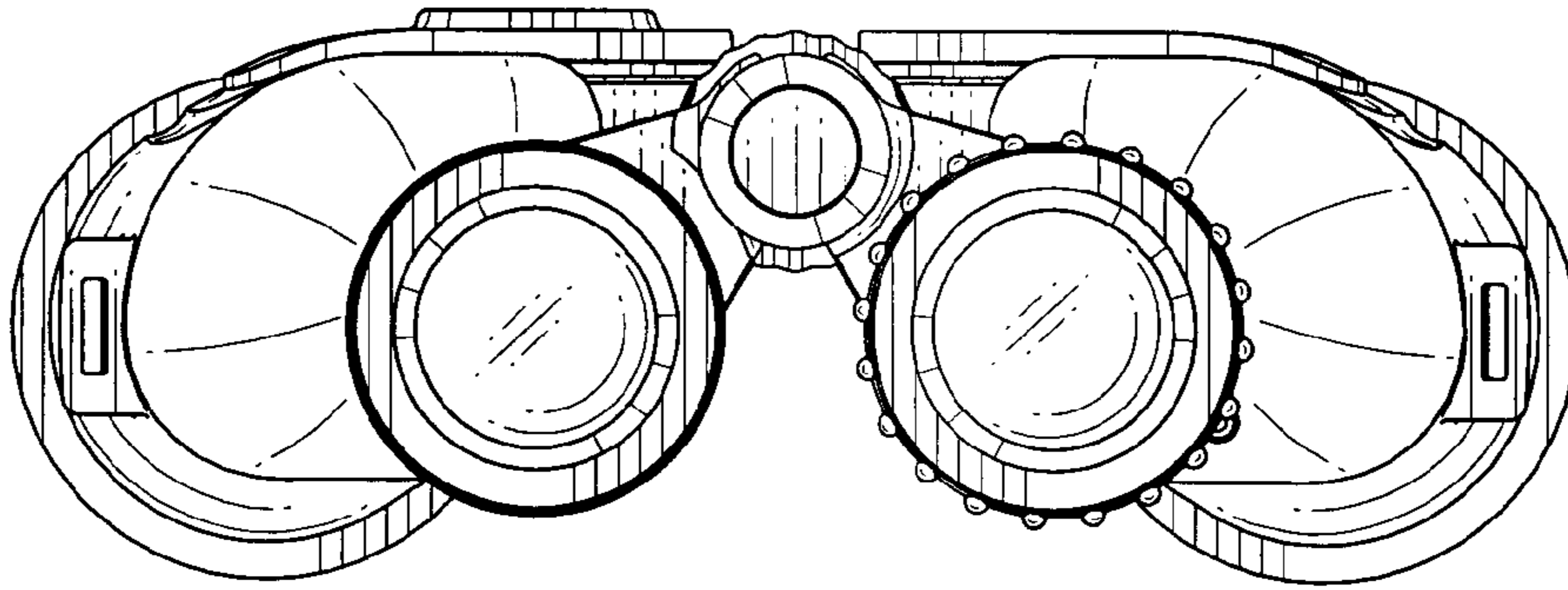


FIG.12

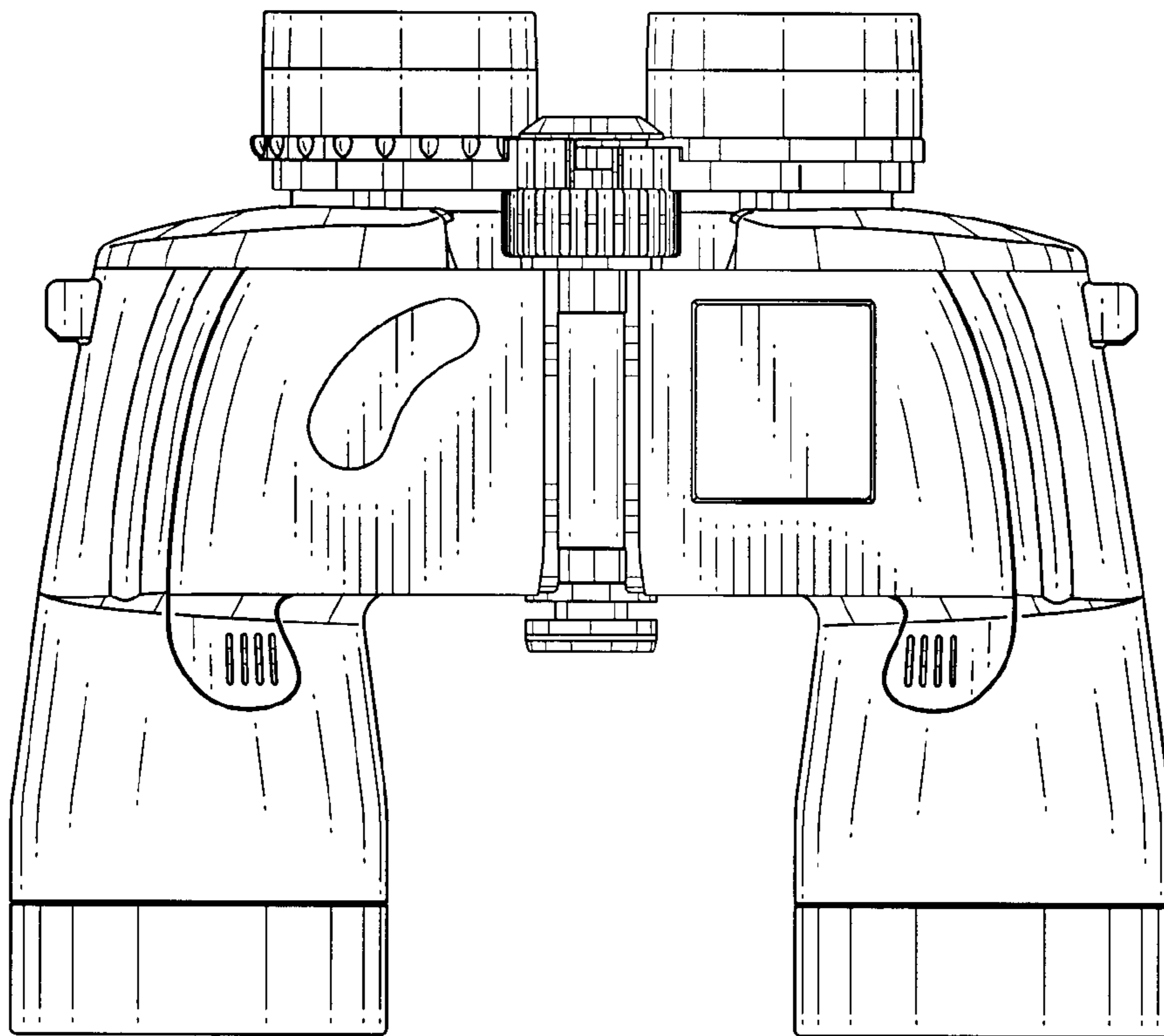


FIG.13

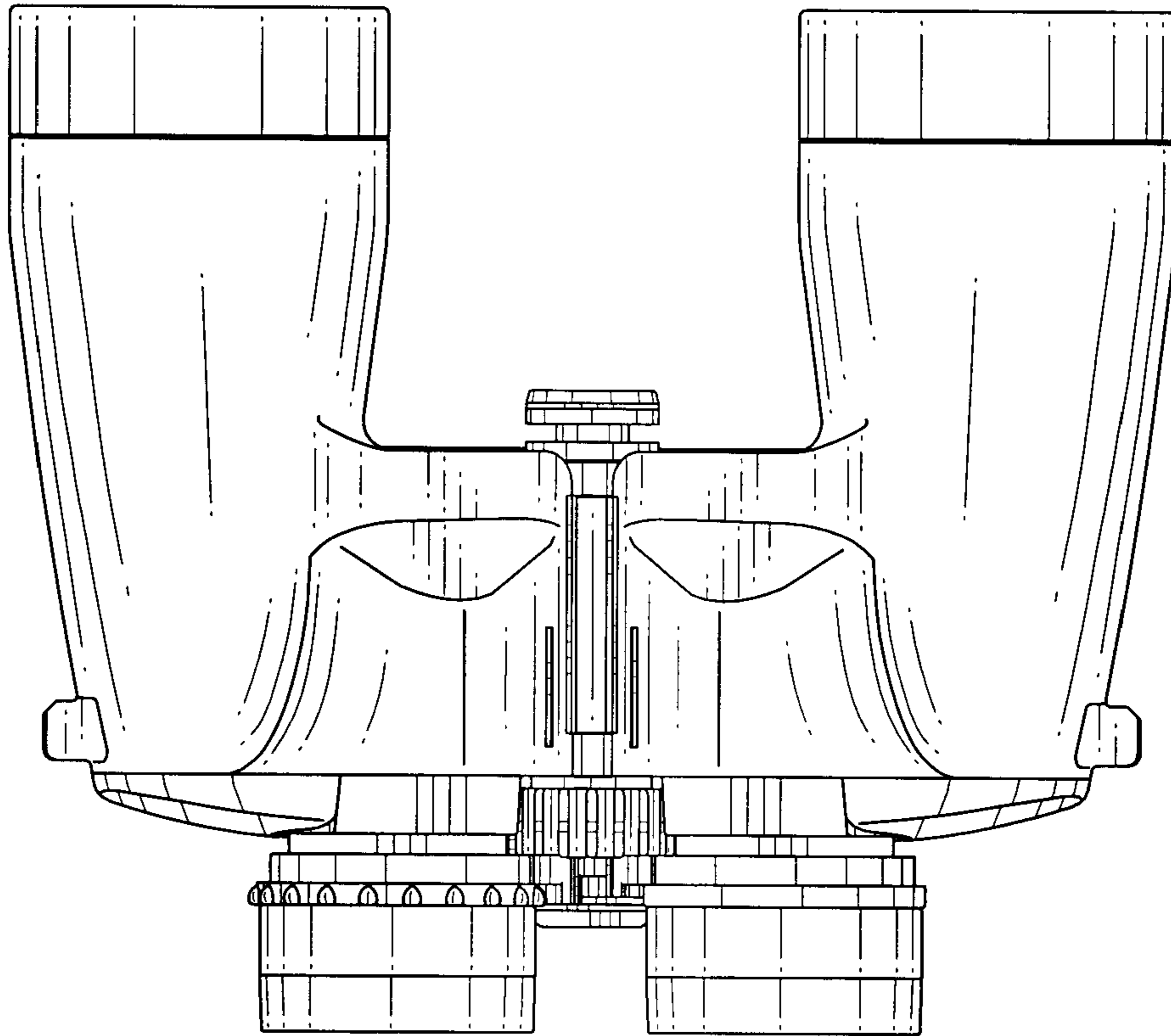


FIG.14

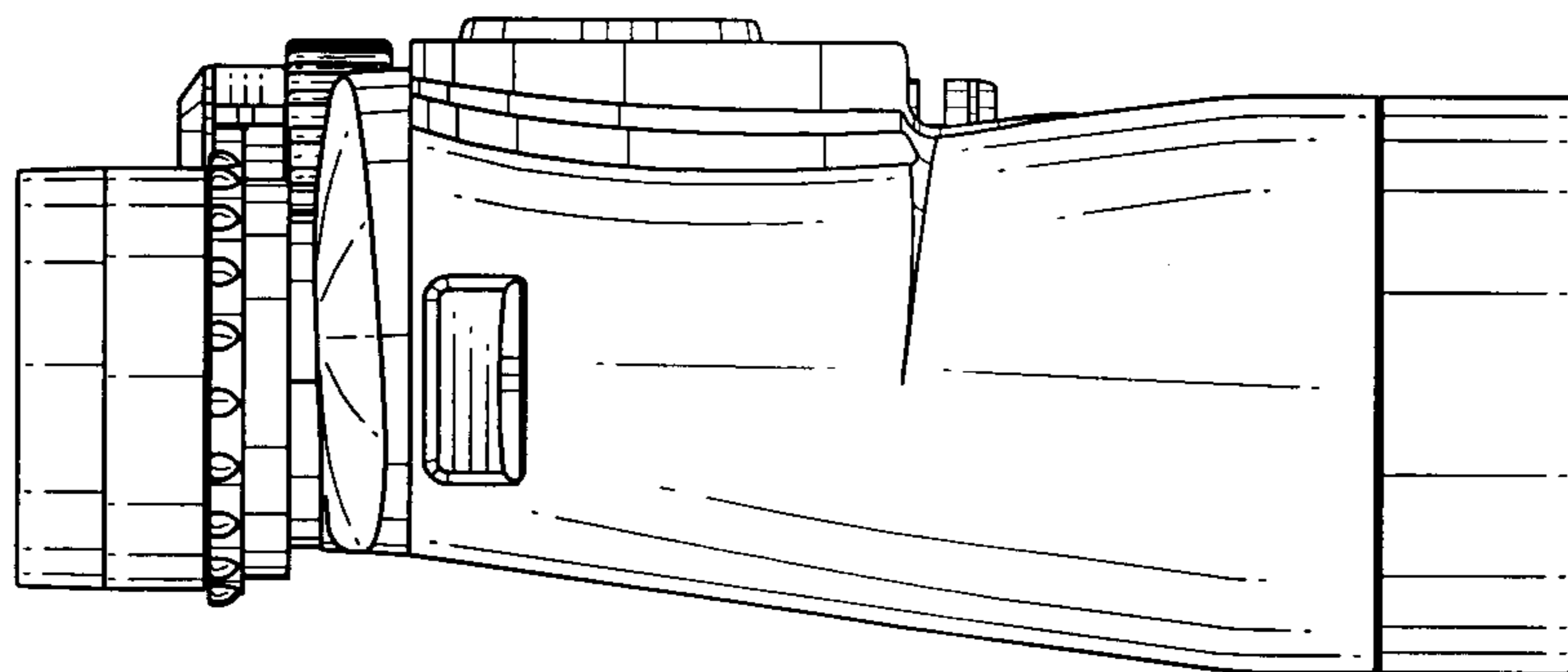


FIG.15

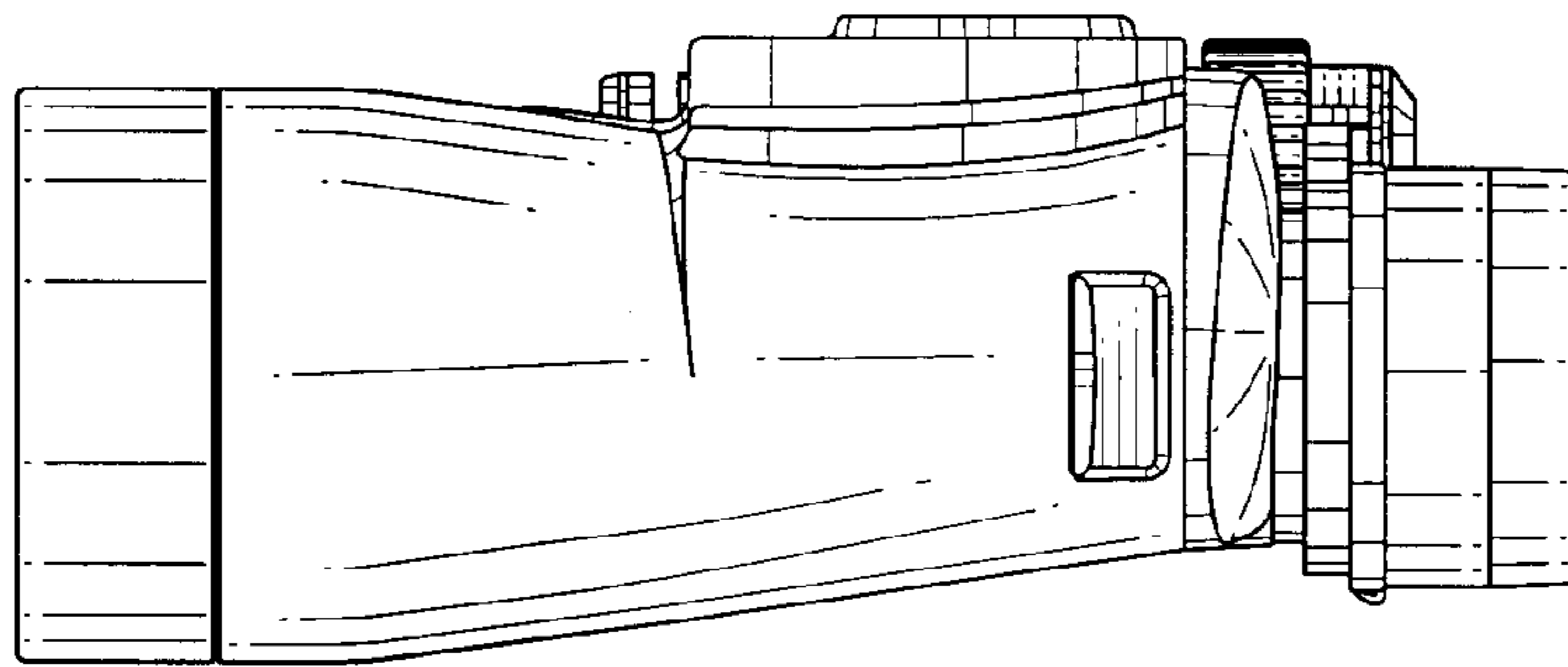


FIG.16

