



US00D529059S

(12) **United States Design Patent**  
**Lin**

(10) **Patent No.:** **US D529,059 S**

(45) **Date of Patent:** **\*\* Sep. 26, 2006**

(54) **GEARBOX**

D497,374 S \* 10/2004 Wittenstein ..... D15/148  
D501,860 S \* 2/2005 Wanschura et al. .... D15/149  
D514,607 S \* 2/2006 Wittenstein ..... D15/148

(76) Inventor: **Zhangdong Lin**, Flat 111, Block 1,  
Huaixiang New Village, Gulou District,  
Fuzhou City, Fujian Province (CN)

\* cited by examiner

(\*\*) Term: **14 Years**

*Primary Examiner*—Antoine D. Davis  
*Assistant Examiner*—Patricia Palasik

(21) Appl. No.: **29/221,856**

(57) **CLAIM**

(22) Filed: **Jan. 24, 2005**

The ornamental design for a gearbox, as shown.

(51) **LOC (8) Cl.** ..... **15-09**

**DESCRIPTION**

(52) **U.S. Cl.** ..... **D15/148; D15/148**

The claimed gearbox is used for casing a system of gears.  
FIG. 1 is a front elevational view of a gearbox showing my  
new design;

(58) **Field of Classification Search** ..... D15/148,  
D15/149; 475/83, 331-335; 477/97; 482/8

See application file for complete search history.

FIG. 2 is a rear elevational view thereof;

FIG. 3 is a left side view thereof;

FIG. 4 is a right side view thereof;

FIG. 5 is a top plan view thereof;

FIG. 6 is a bottom plan view thereof; and,

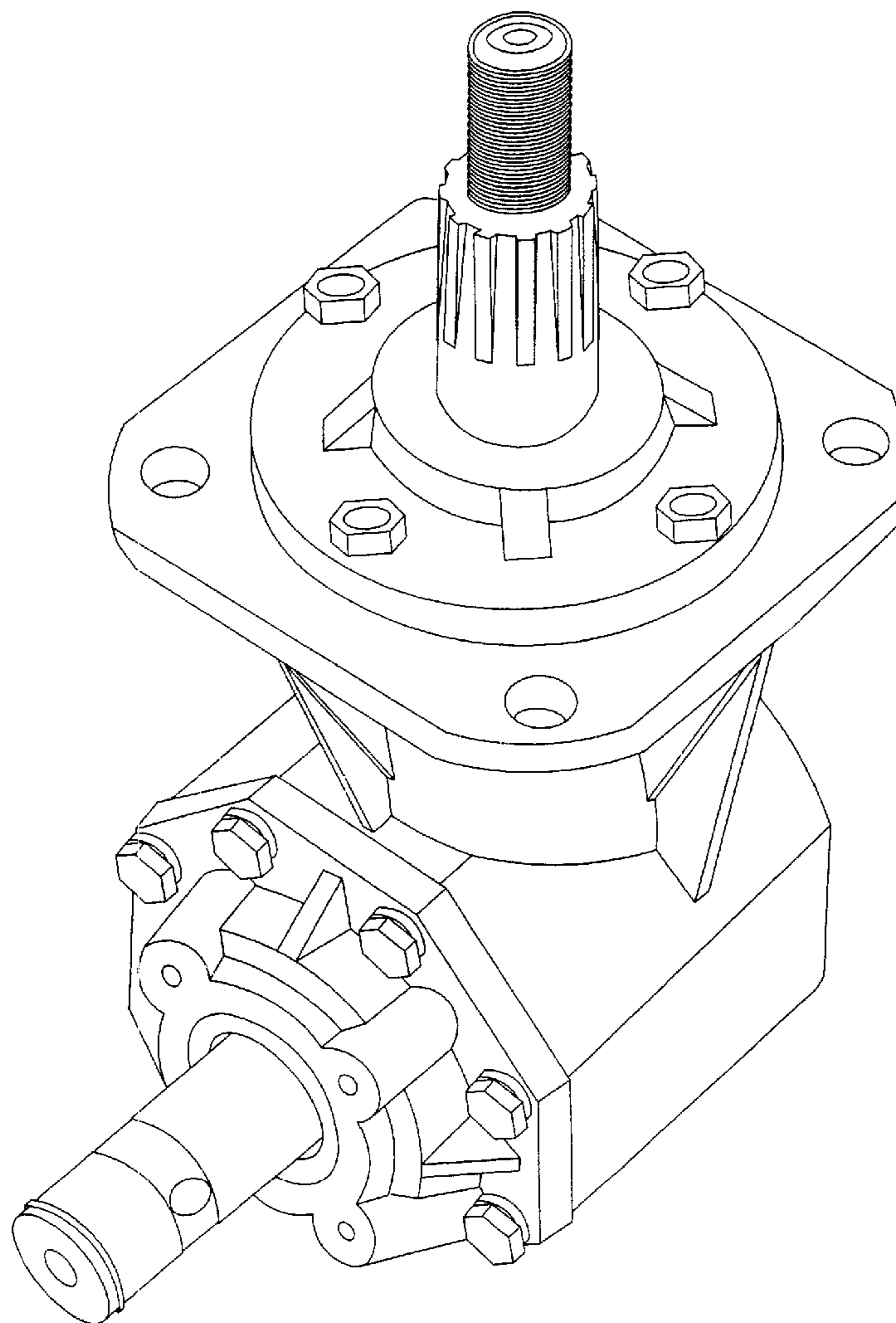
FIG. 7 is a perspective view thereof.

(56) **References Cited**

U.S. PATENT DOCUMENTS

D406,596 S \* 3/1999 Ziegler et al. .... D15/148  
5,984,823 A \* 11/1999 Gage ..... 475/331  
D479,542 S \* 9/2003 Lannoch ..... D15/148

**1 Claim, 7 Drawing Sheets**



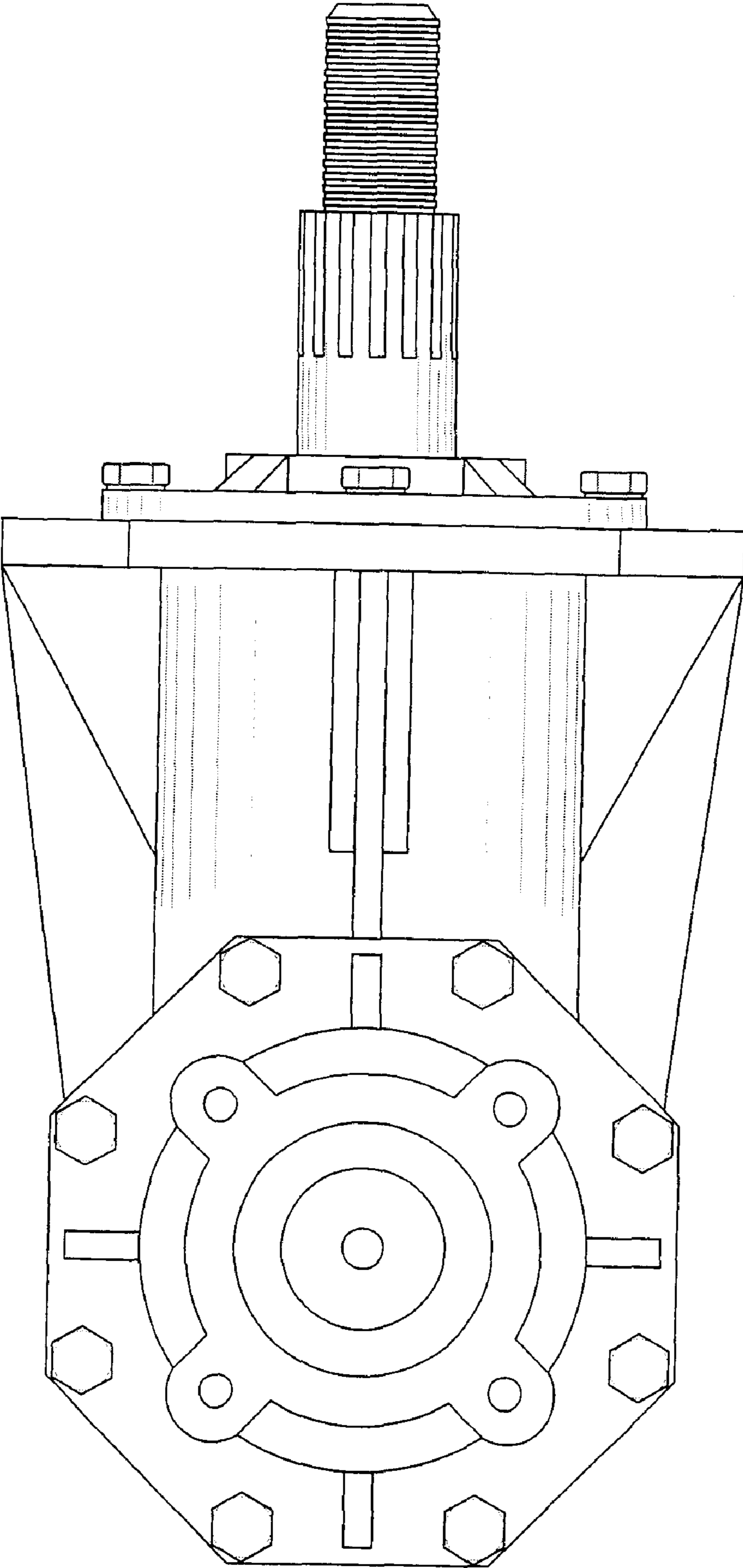


FIG. 1

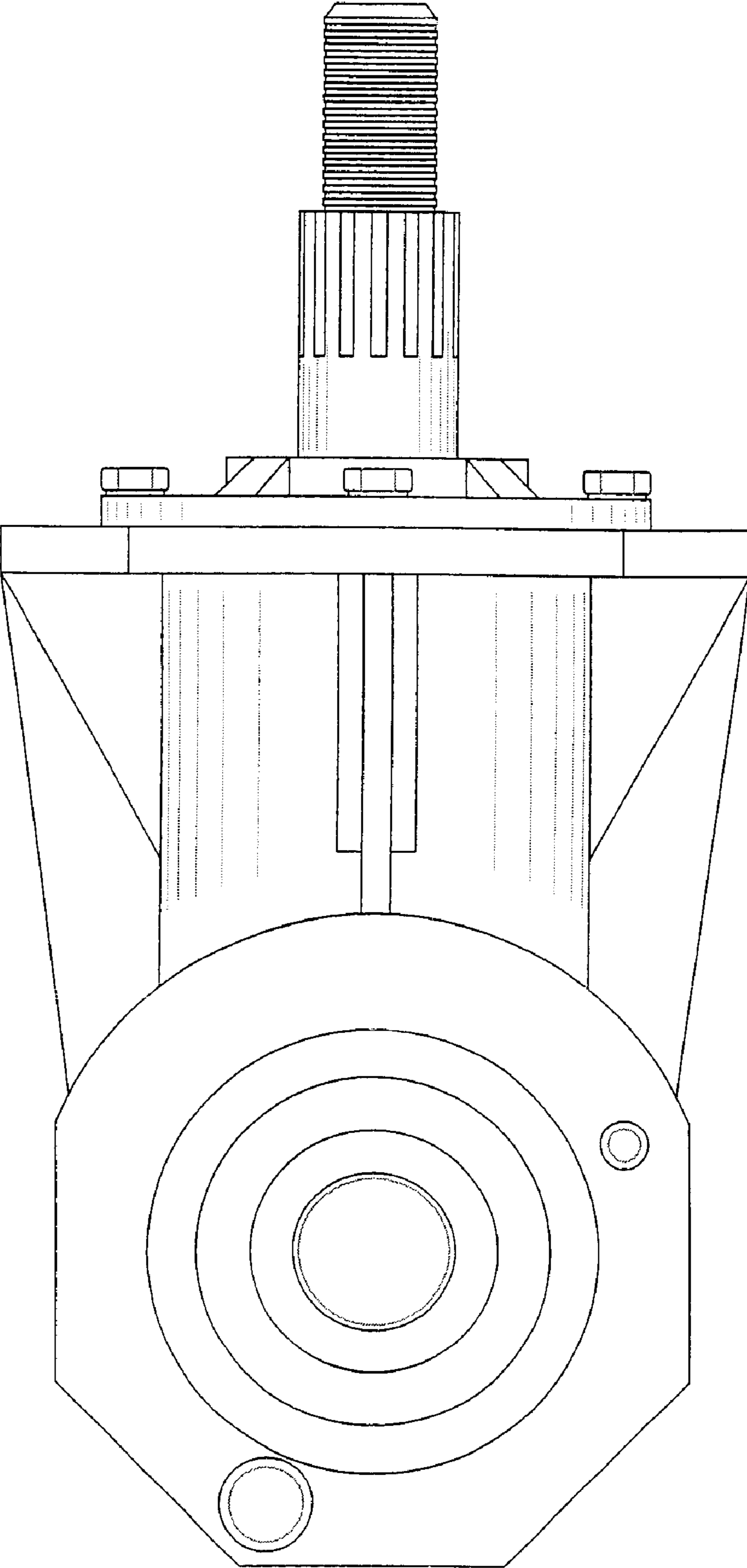


FIG. 2

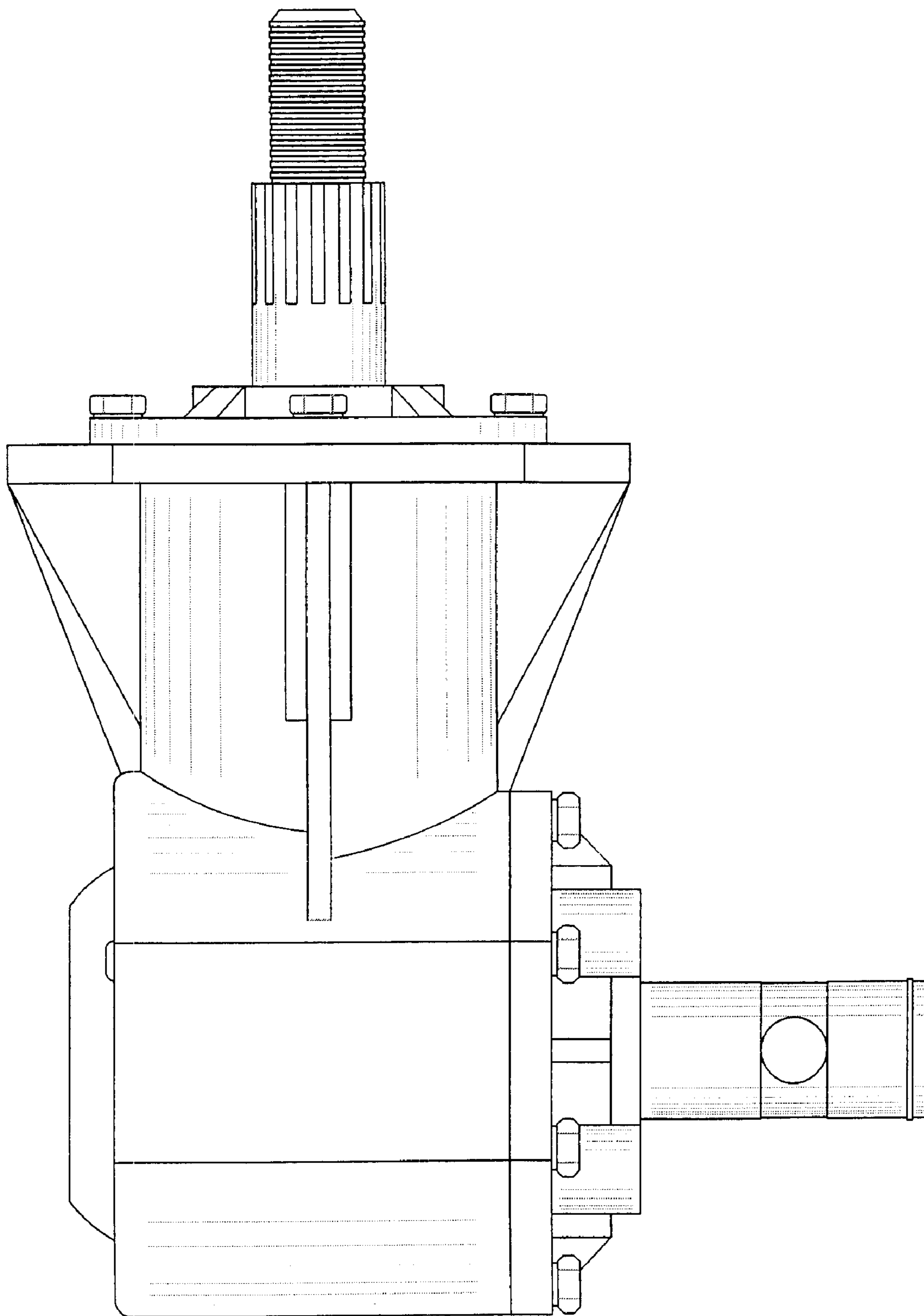


FIG. 3

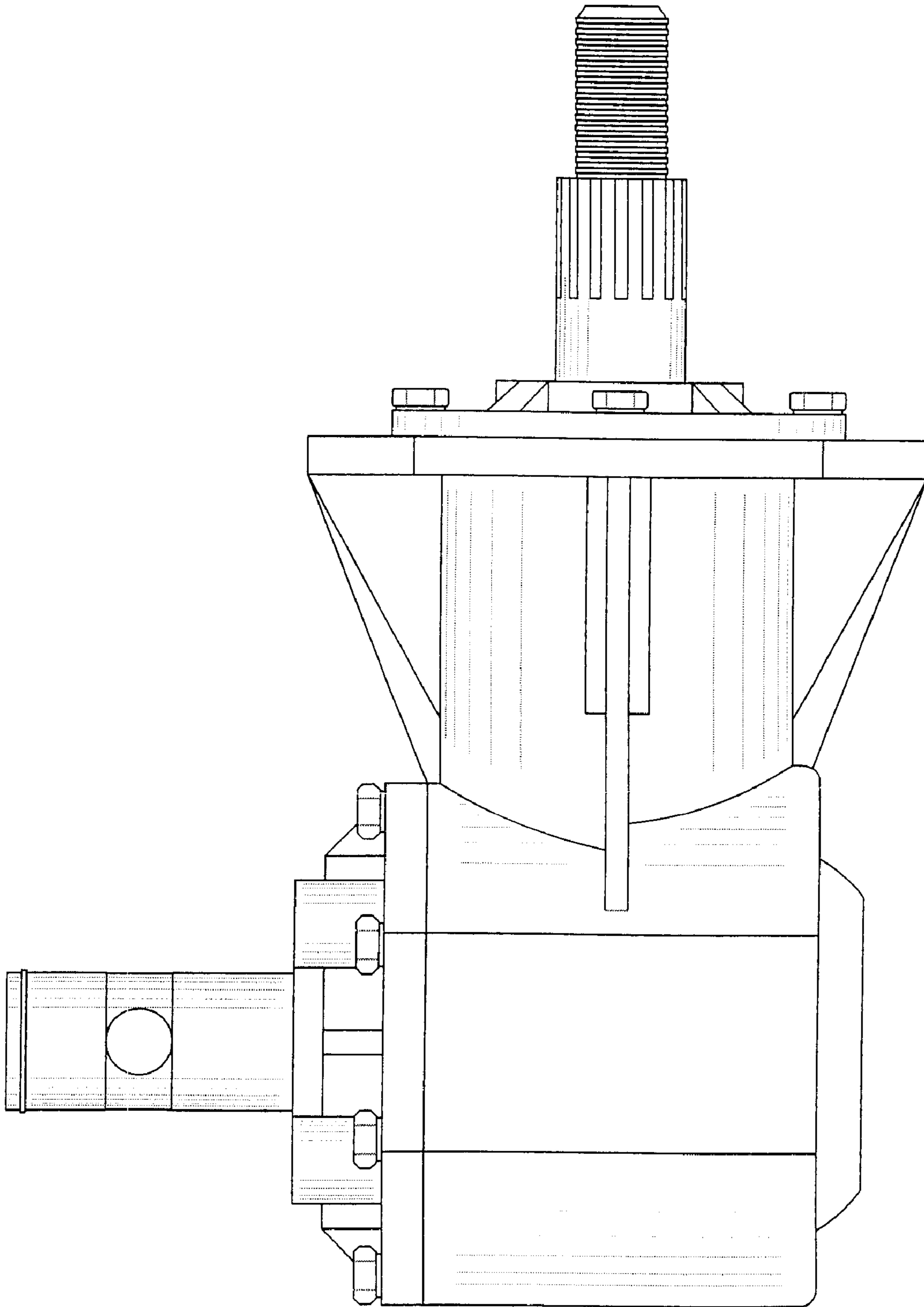


FIG. 4

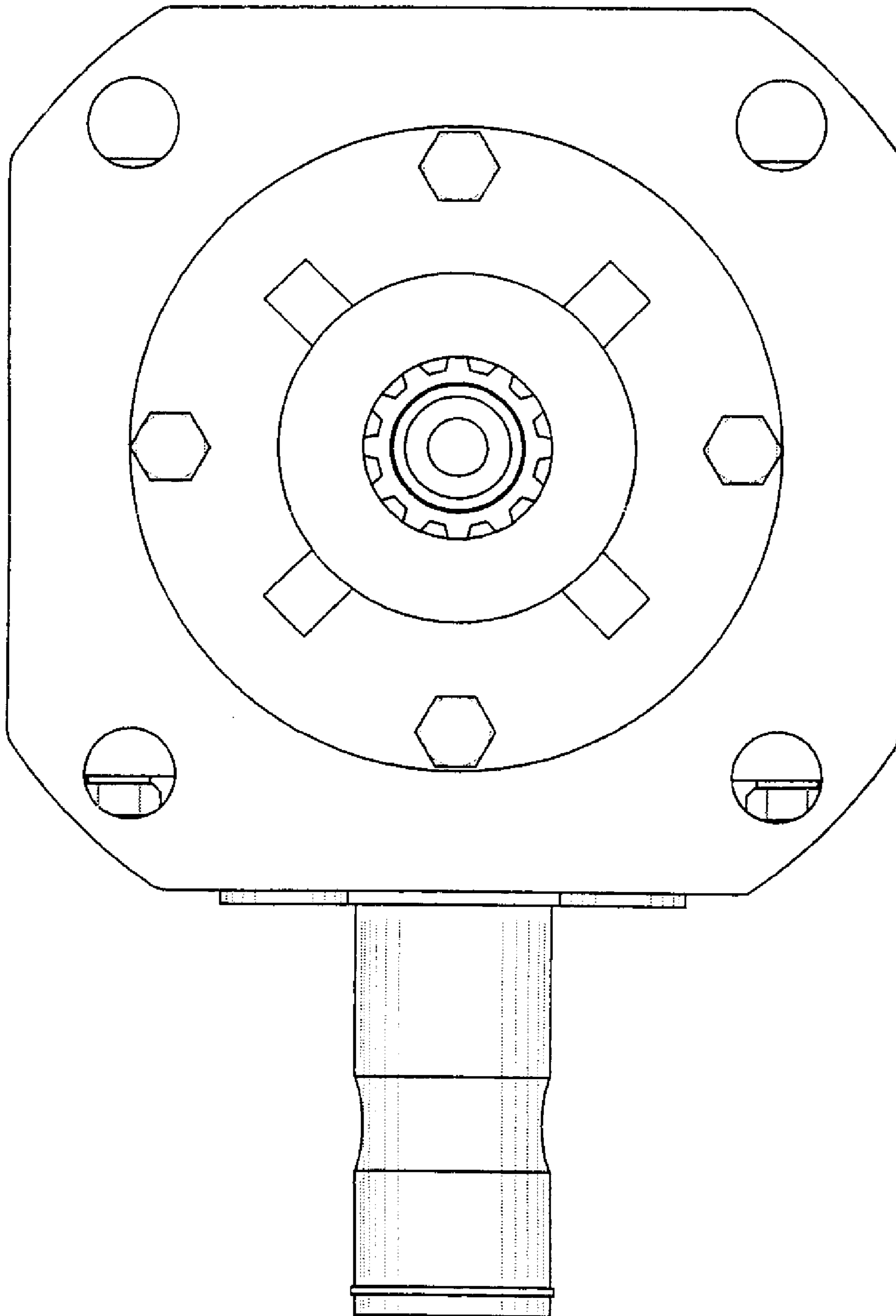


FIG. 5

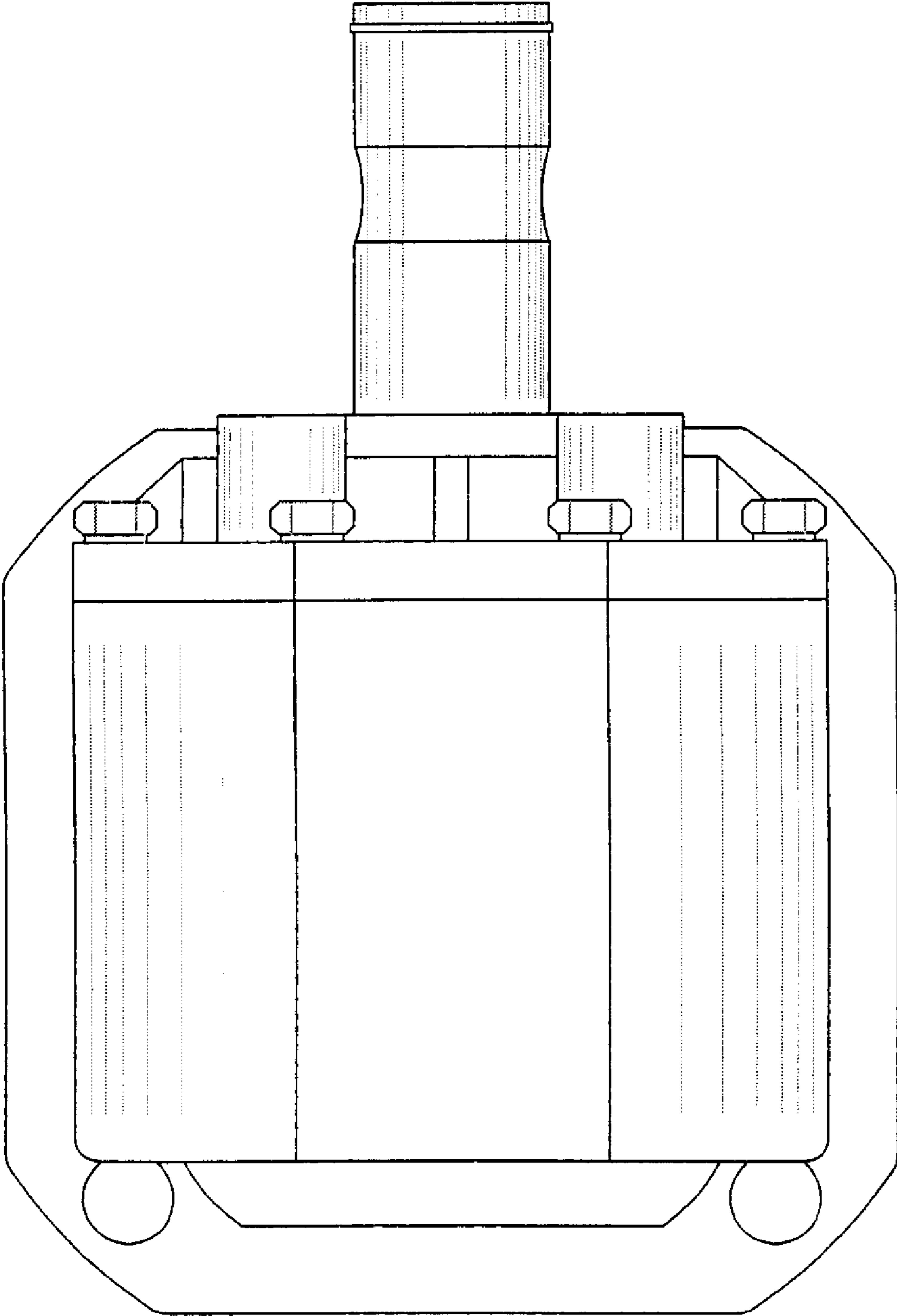


FIG. 6

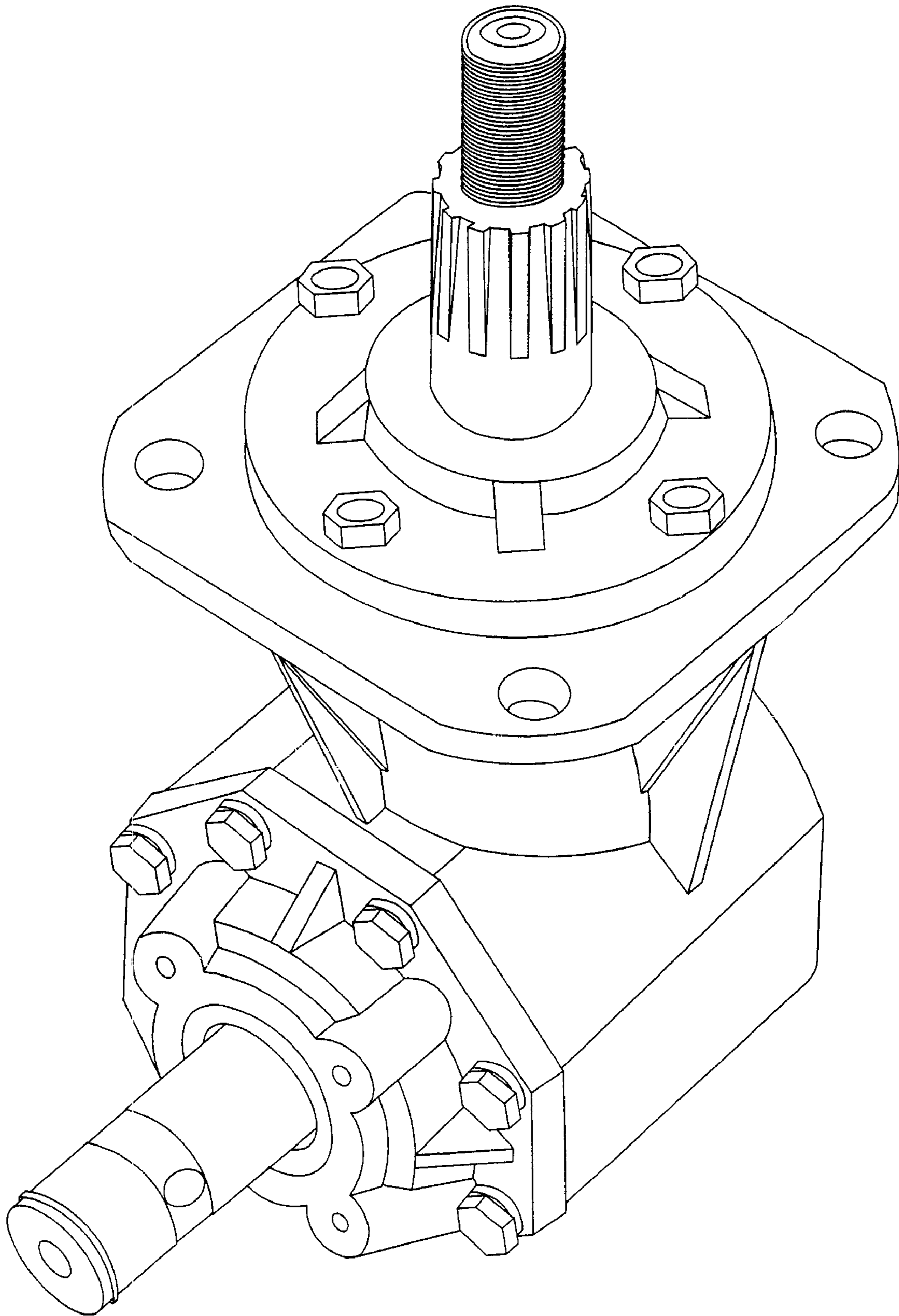


FIG. 7