



US00D529058S

(12) **United States Design Patent**
Aoki et al.

(10) **Patent No.:** **US D529,058 S**

(45) **Date of Patent:** **** Sep. 26, 2006**

(54) **CONTAINER FOR STORING MOLTEN METAL**

JP D1137868 S 4/2002
JP D1137869 S 4/2002
JP D1181134 S 8/2003
JP D1224828 S 12/2004

(75) Inventors: **Takayuki Aoki**, Toyota (JP); **Takeo Imanaka**, Toyota (JP); **Hitoshi Mizuno**, Toyota (JP)

* cited by examiner

(73) Assignee: **Hoei Shokai Co., Ltd.**, Aichi (JP)

Primary Examiner—Antoine D. Davis

Assistant Examiner—Patricia Palasik

(**) Term: **14 Years**

(74) *Attorney, Agent, or Firm*—Rader, Fishman & Grauer PLLC

(21) Appl. No.: **29/238,148**

(57) **CLAIM**

(22) Filed: **Sep. 13, 2005**

The ornamental design for a container for storing molten metal, as shown.

(30) **Foreign Application Priority Data**

Mar. 14, 2005 (JP) D2005-007461

(51) **LOC (8) Cl.** **15-09**

(52) **U.S. Cl.** **D15/144.1**

(58) **Field of Classification Search** D15/144,
D15/144.1, 144.2; 222/591, 597, 598, 601;
266/45, 218, 224, 230, 236, 265, 275, 286
See application file for complete search history.

DESCRIPTION

FIG. 1 is a perspective view of a container for storing molten metal showing our new design;

FIG. 2 is a perspective view thereof, wherein a lid is in an open position;

FIG. 3 is a front elevational view thereof;

FIG. 4 is a rear elevational view thereof;

FIG. 5 is a front elevational view thereof, wherein the lid is in an open position,

FIG. 6 is a rear elevational view thereof, wherein the lid is in an open position;

FIG. 7 is a right side elevational view thereof;

FIG. 8 is a left side elevational view thereof;

FIG. 9 is a left side elevational view thereof, wherein the lid is in an open position;

FIG. 10 is a right side elevational view thereof, wherein the lid is in an open position;

FIG. 11 is a top plan view thereof;

FIG. 12 is a bottom plan view thereof

FIG. 13 is a top plan view thereof, wherein the lid is in an open position; and,

FIG. 14 is a bottom plan view thereof, wherein the lid is in an open position.

(56) **References Cited**

U.S. PATENT DOCUMENTS

D169,951 S * 6/1953 Tama D15/144
3,211,443 A * 10/1965 Starner et al. 266/236
D460,091 S * 7/2002 Mizuno et al. D15/144.1
D484,897 S * 1/2004 Hohenshelt et al. D15/144.1
2004/0089987 A1 * 5/2004 Kodama et al. 266/236

FOREIGN PATENT DOCUMENTS

JP D1129211 S 12/2001
JP D1129212 S 12/2001
JP D1129213 S 12/2001
JP D1129214 S 12/2001
JP D1129215 S 12/2001
JP D1129216 S 12/2001
JP D1137667 S 4/2002
JP D1137668 S 4/2002

1 Claim, 14 Drawing Sheets

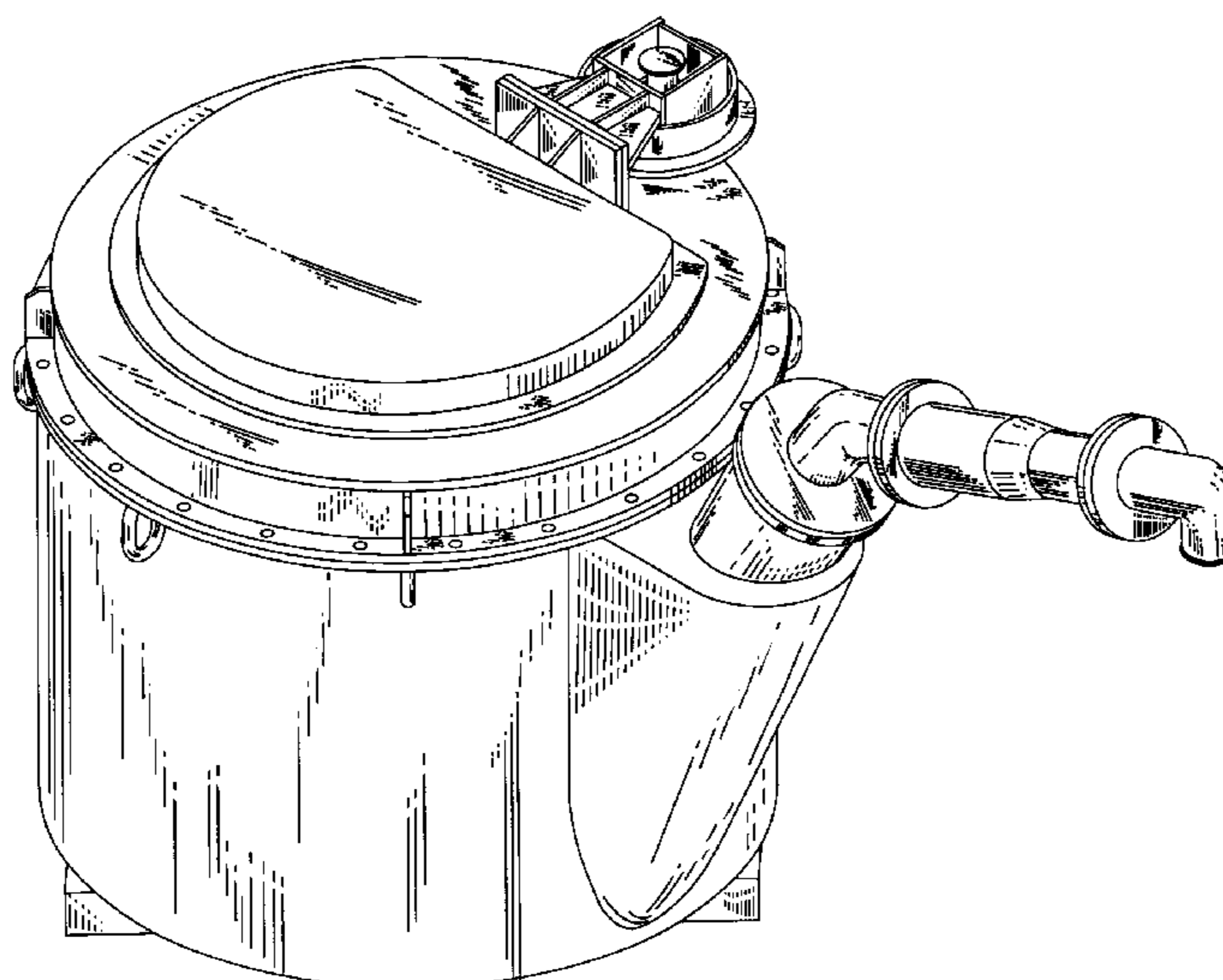


FIG. 1

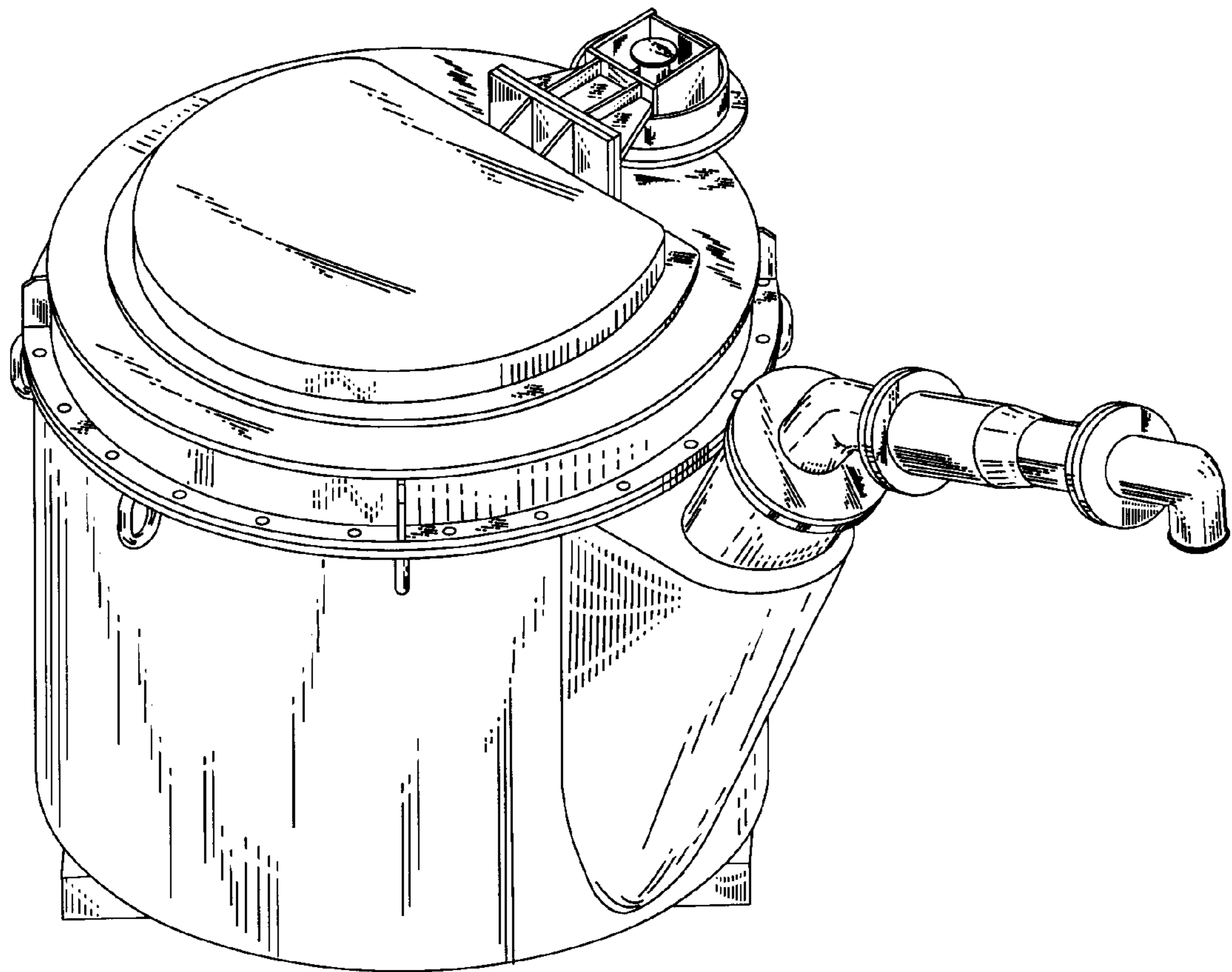


FIG. 2

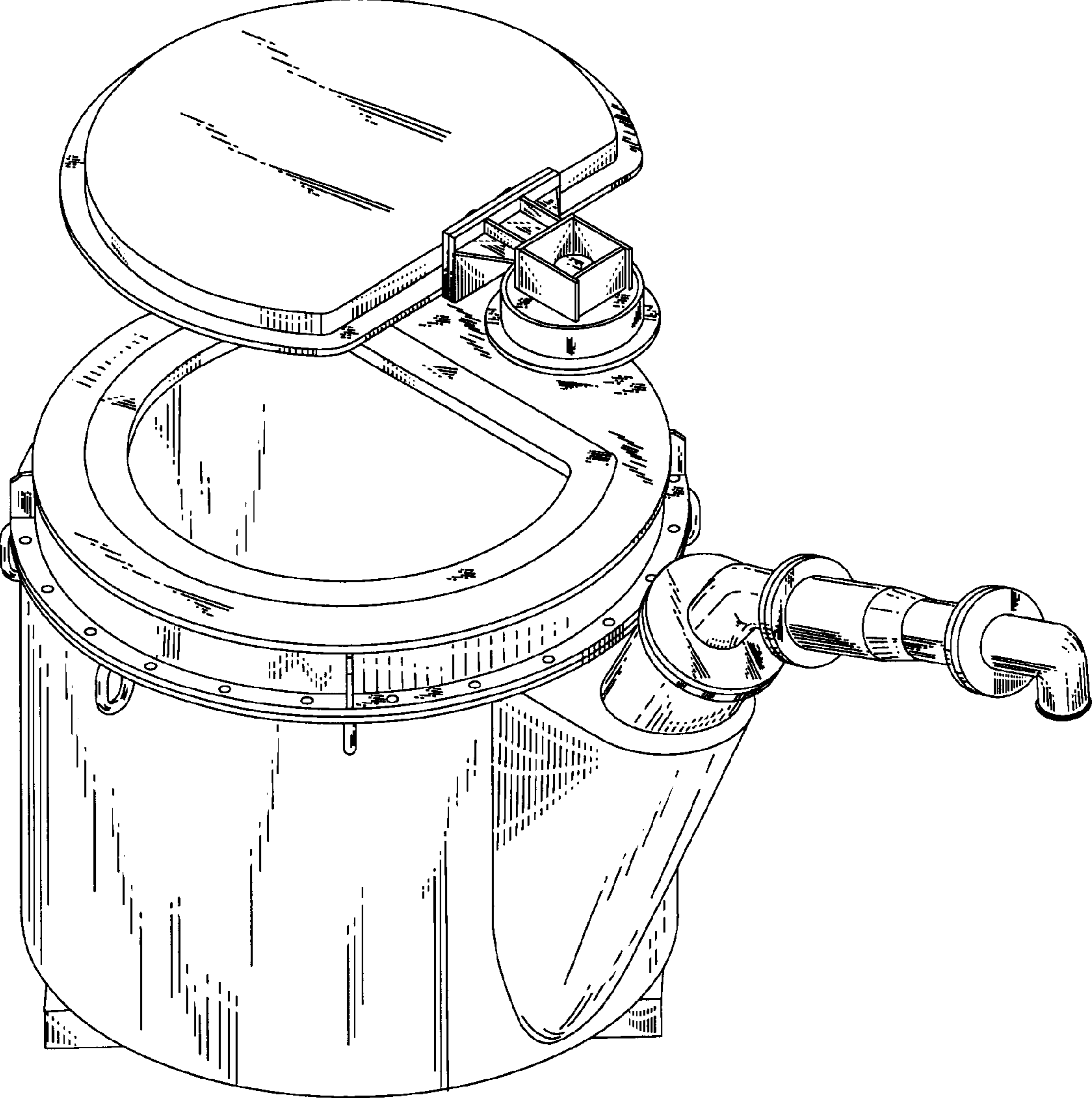


FIG. 3

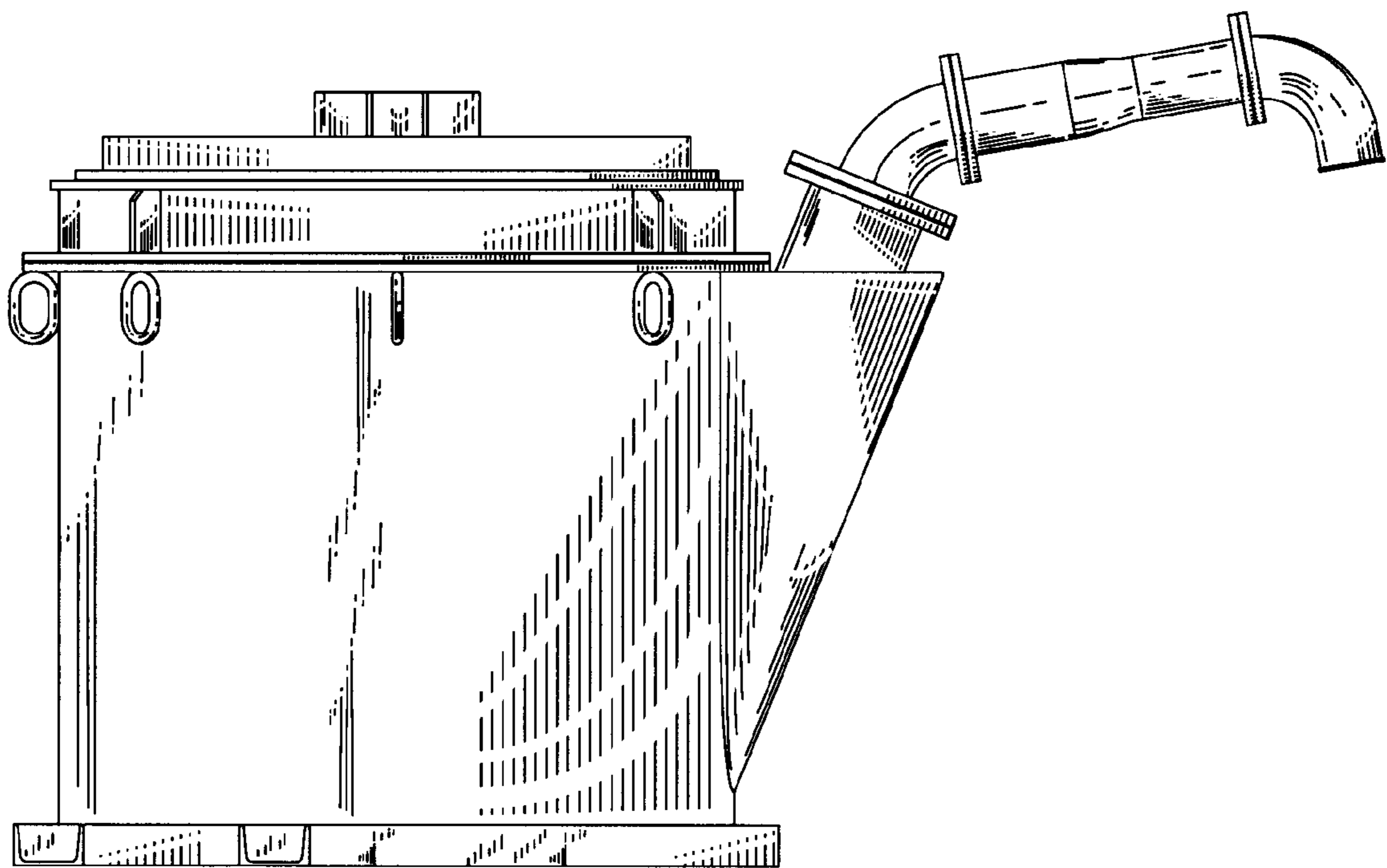


FIG. 4

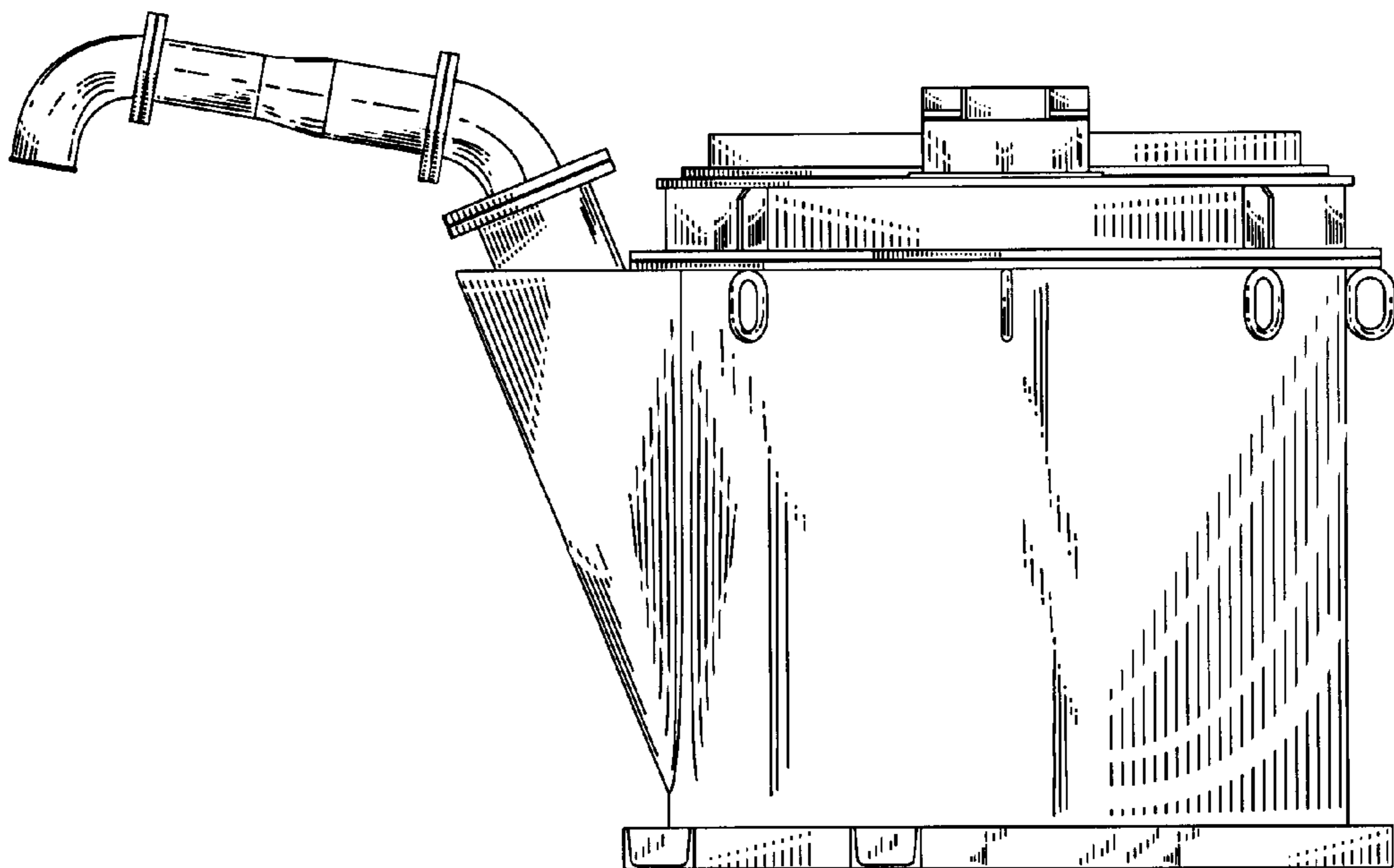


FIG. 5

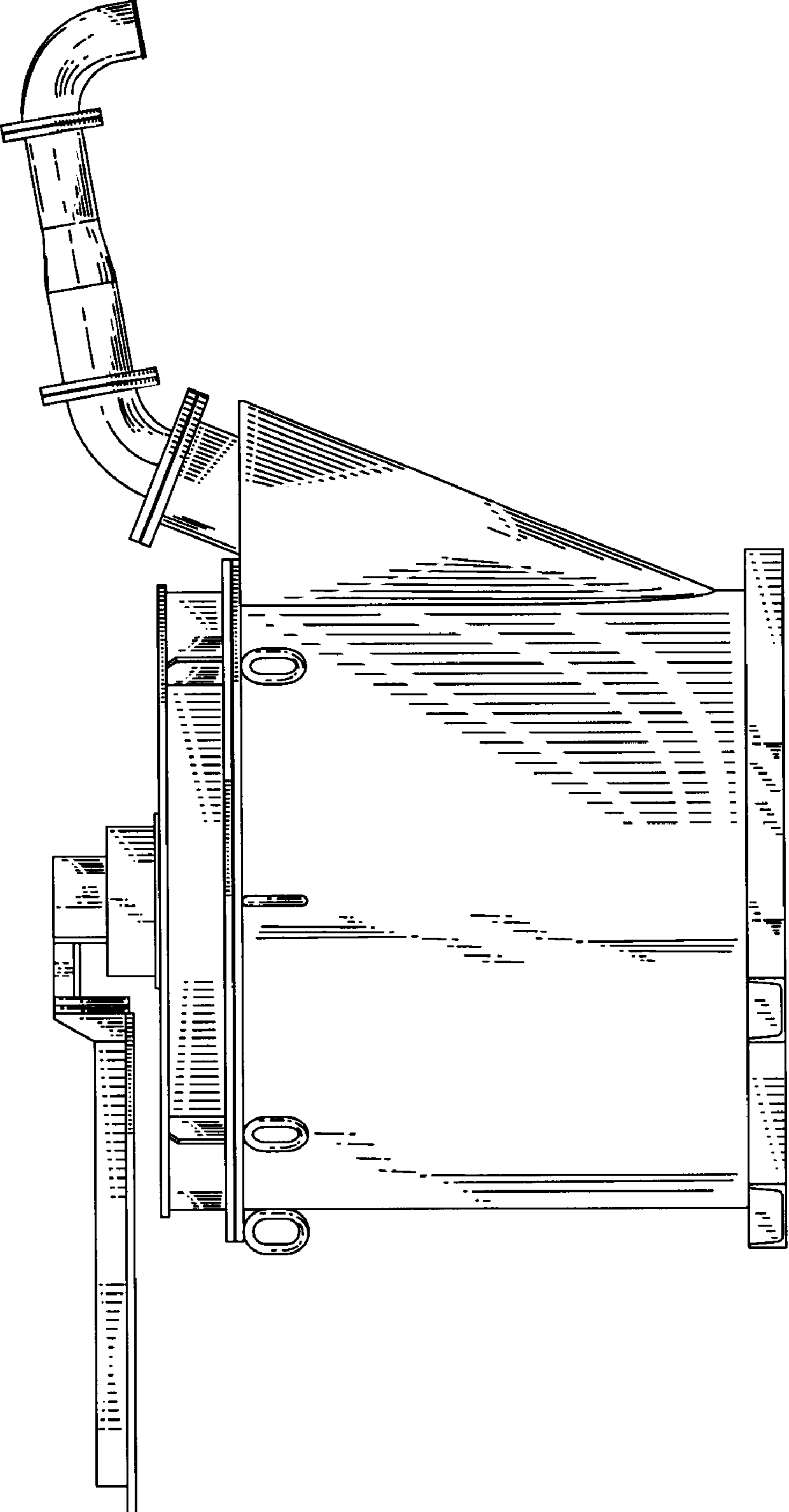


FIG. 6

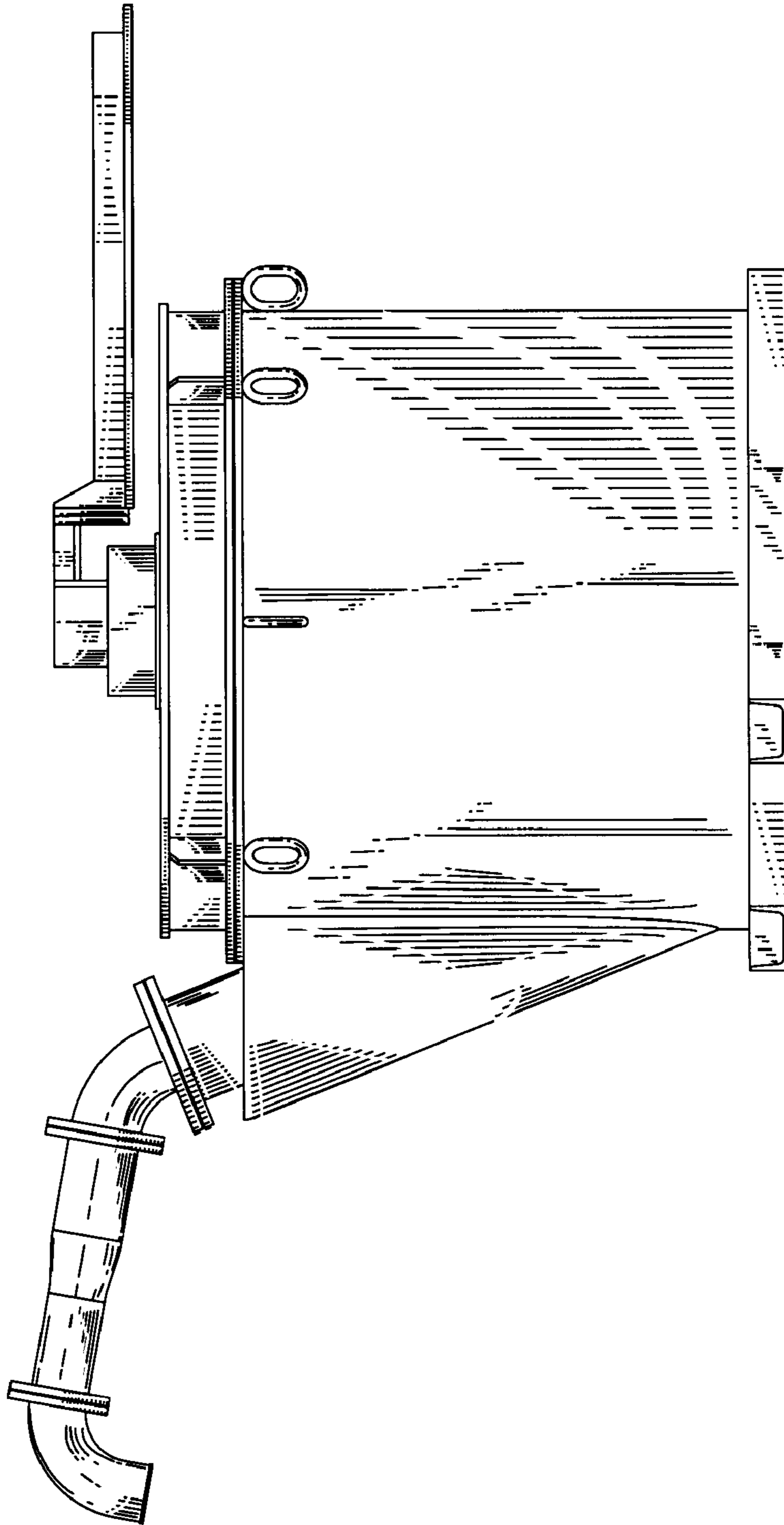


FIG. 7

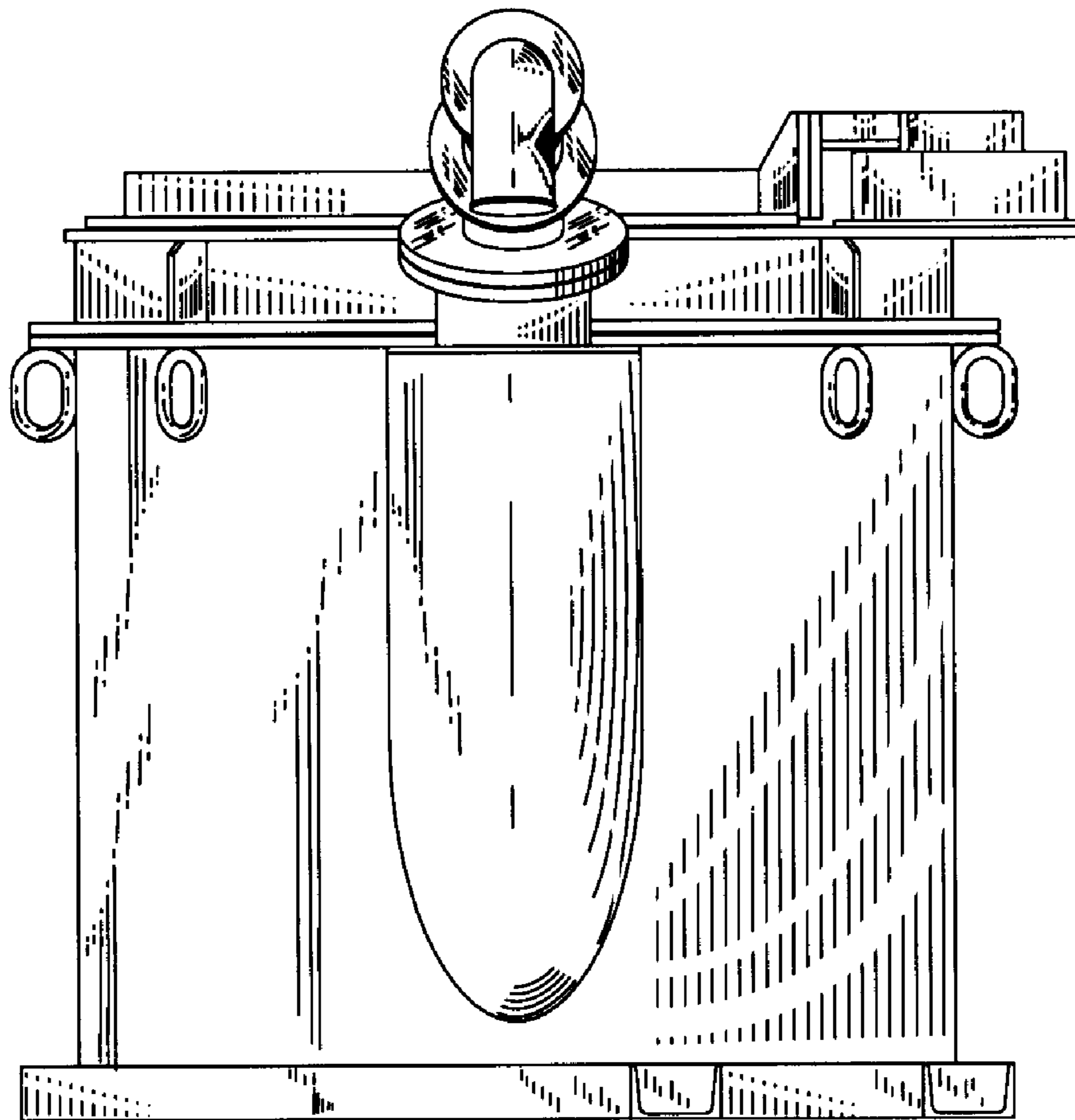


FIG. 8

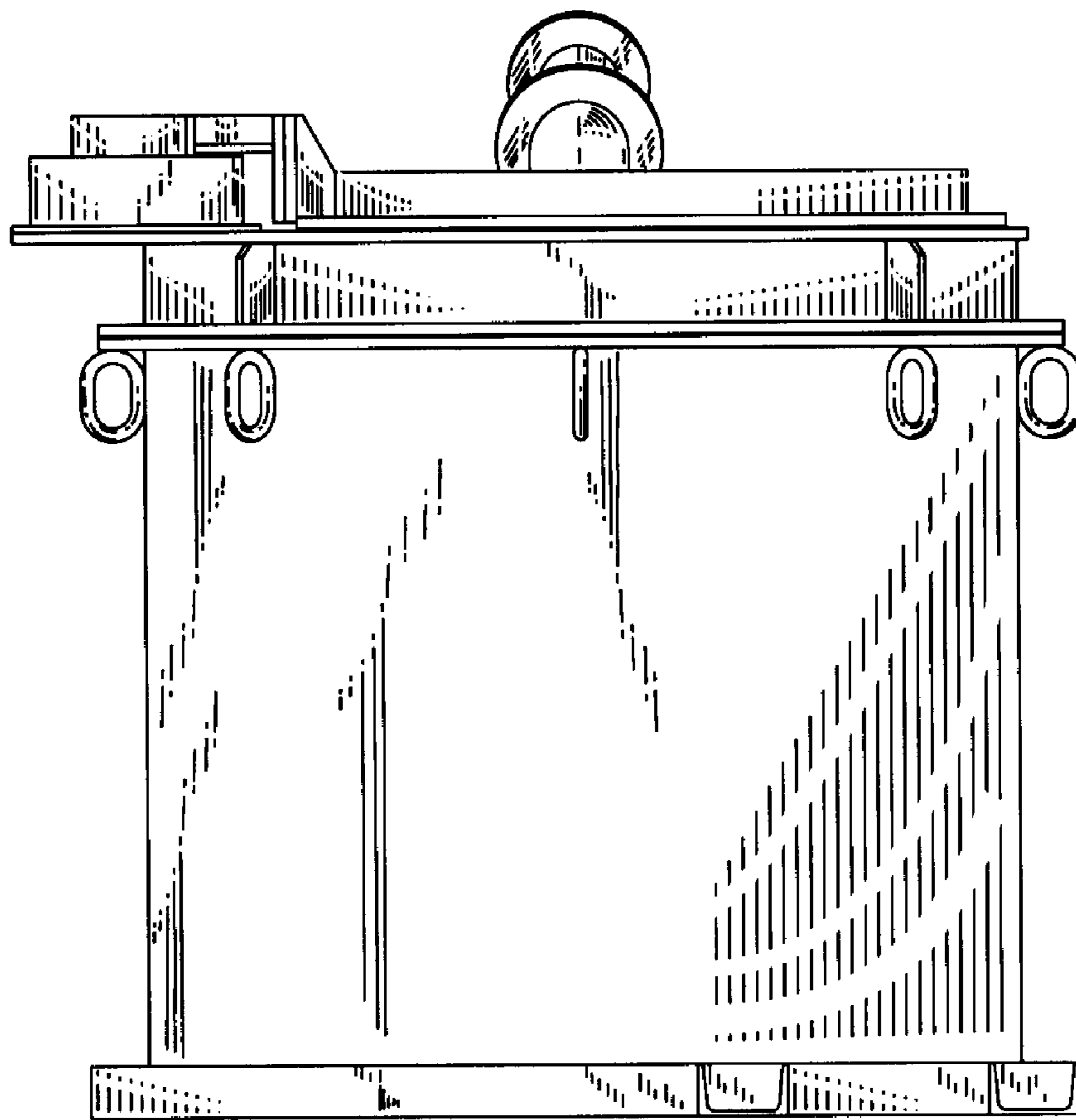


FIG. 9

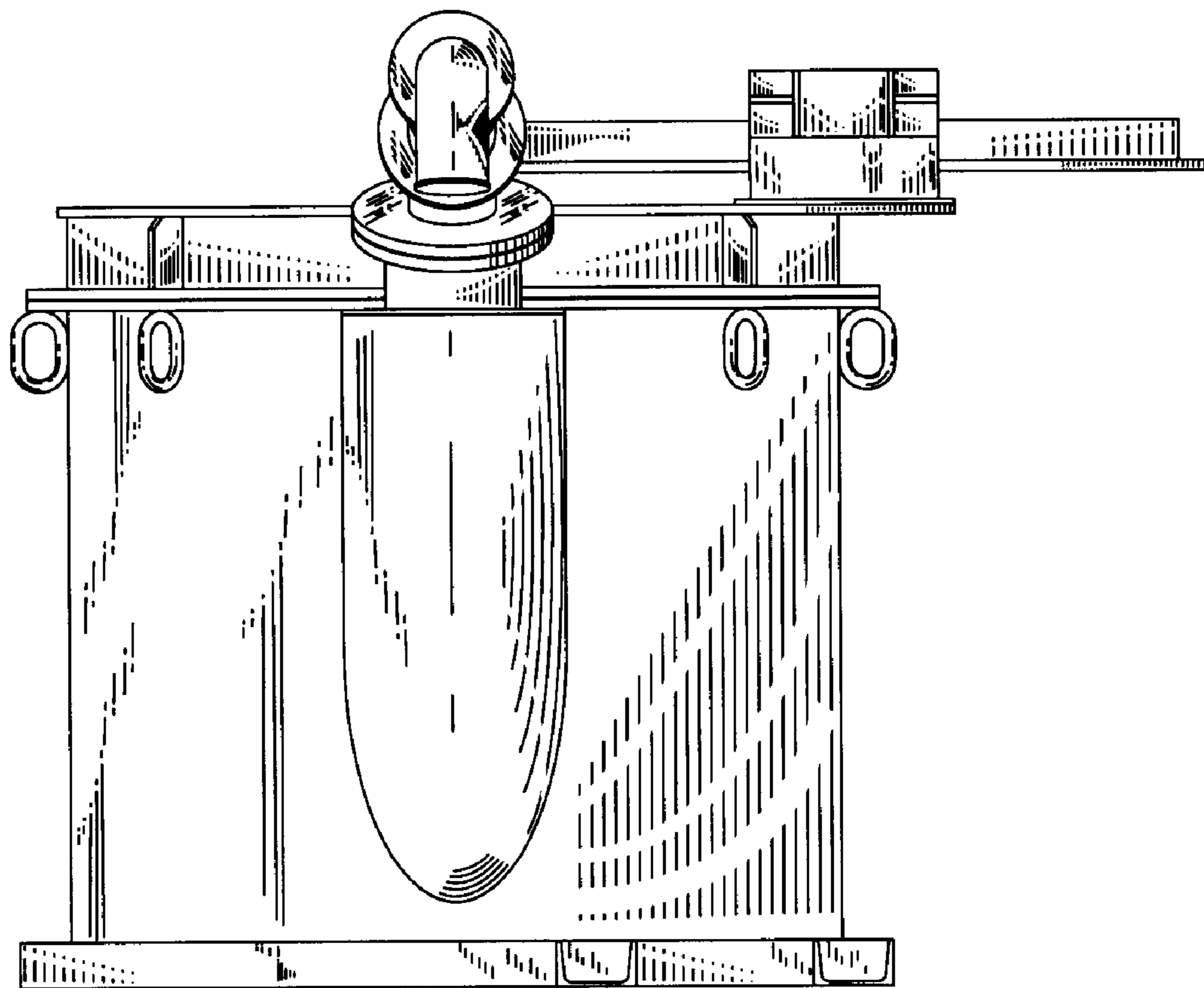


FIG. 10

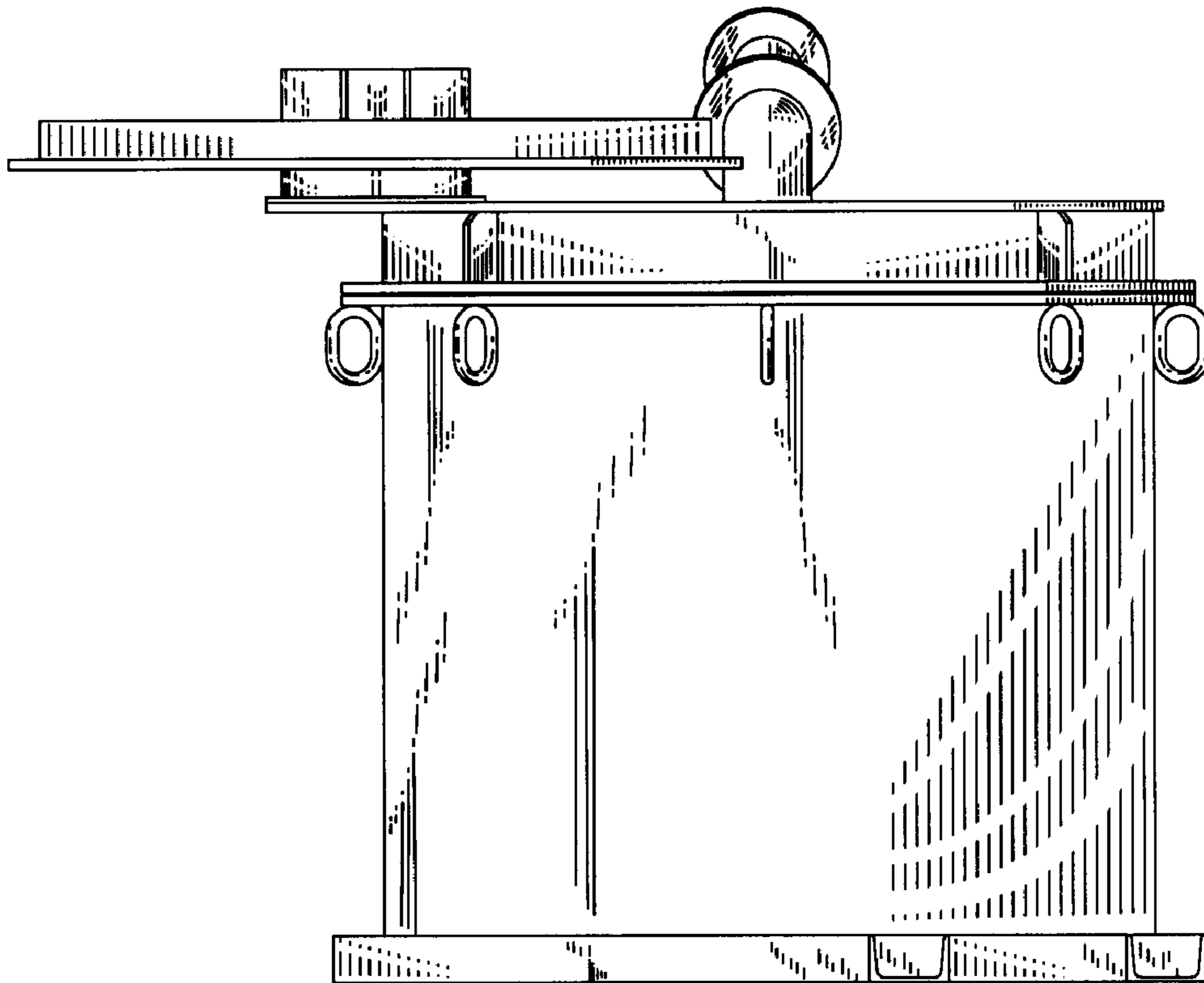


FIG. 11

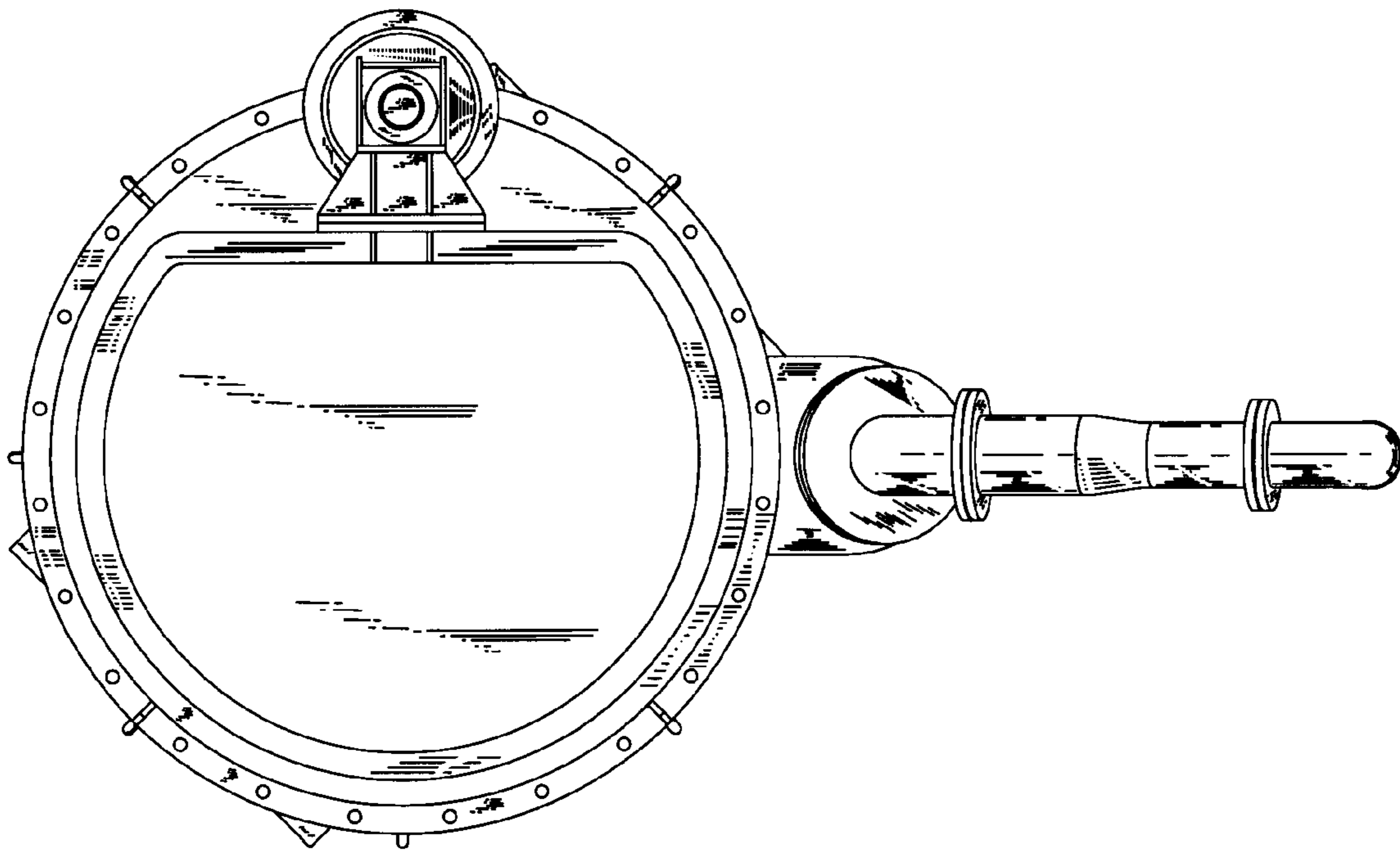


FIG. 12

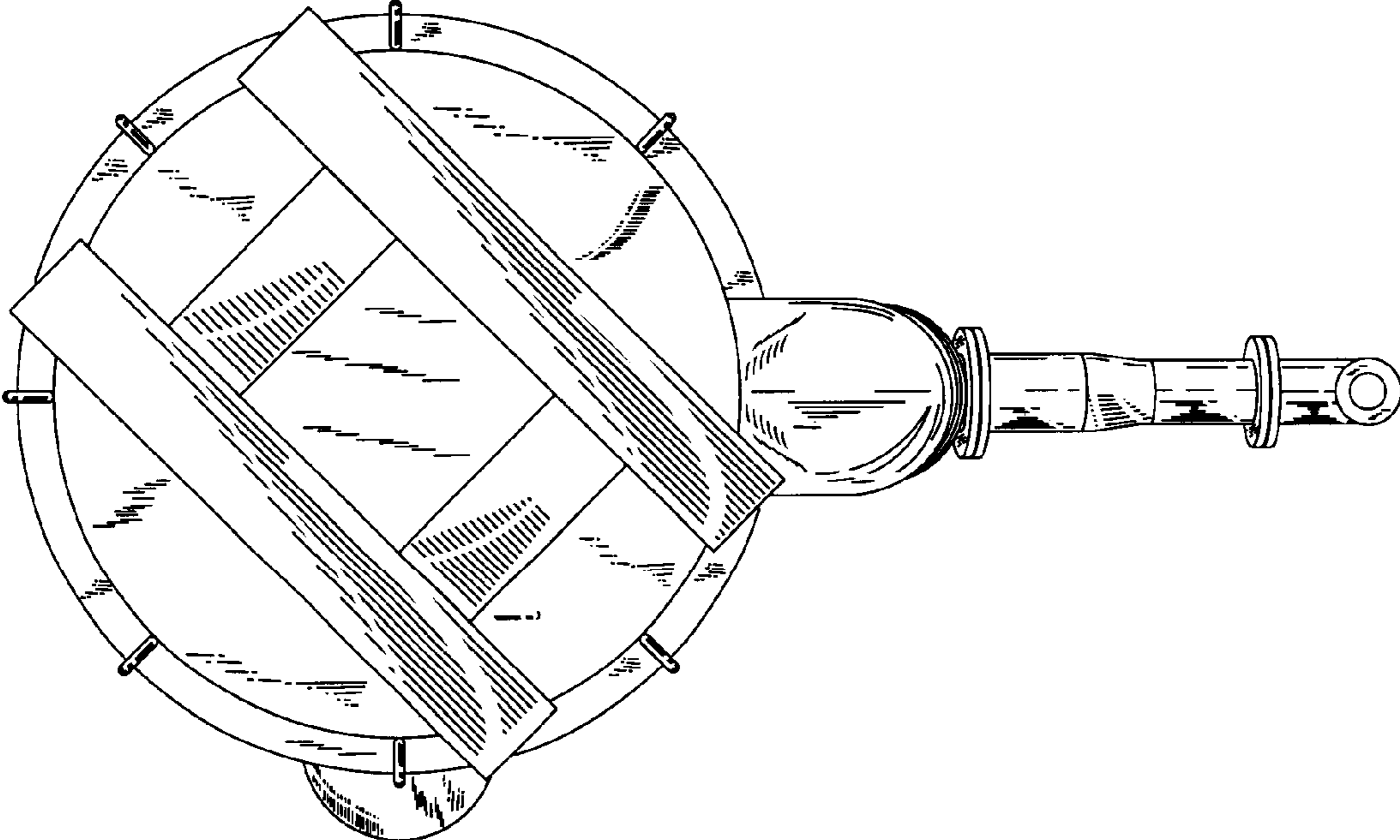


FIG. 13

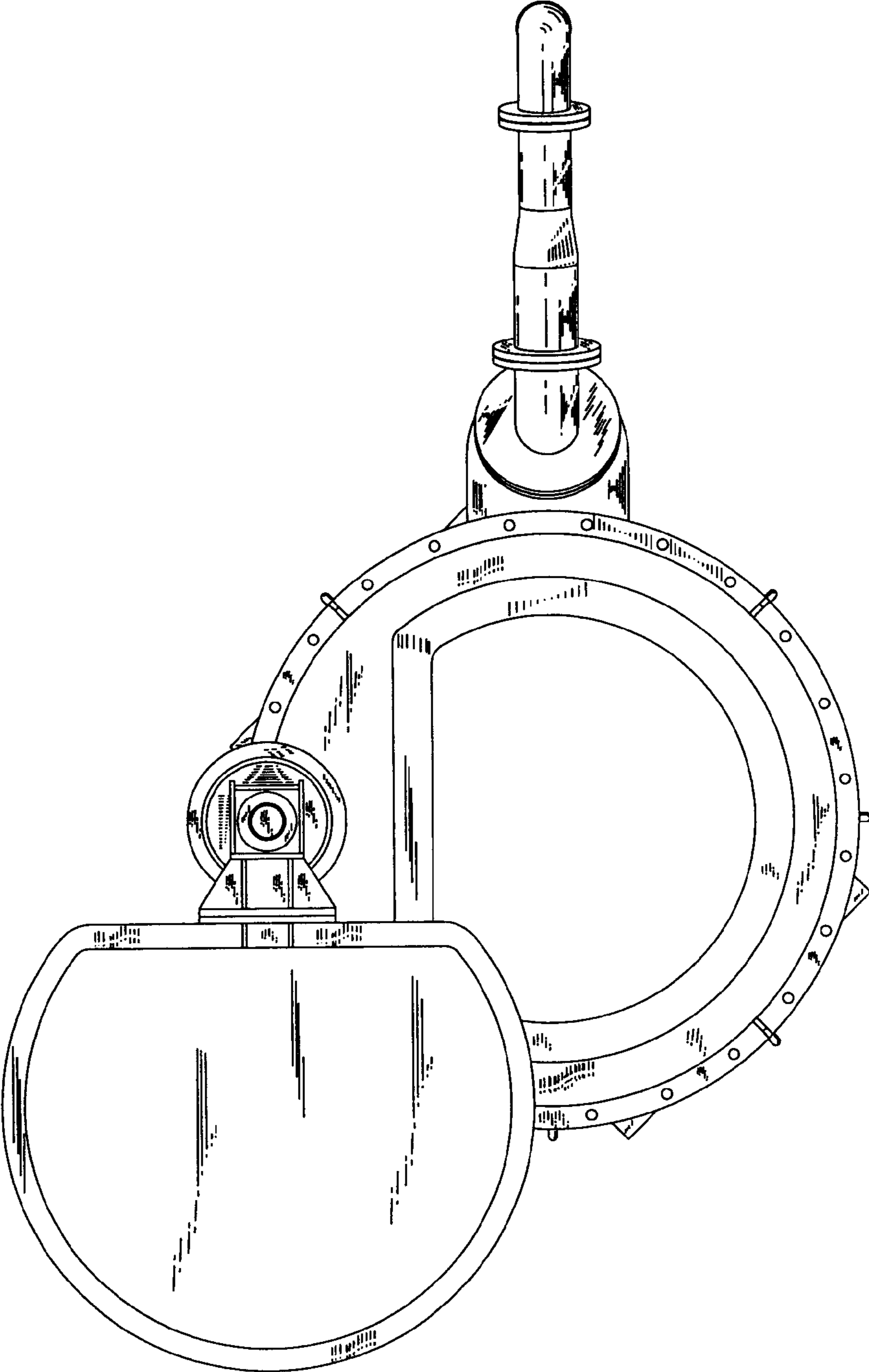


FIG. 14

