



US00D529054S

(12) **United States Design Patent**
Hosoi et al.

(10) **Patent No.:** **US D529,054 S**

(45) **Date of Patent:** **** Sep. 26, 2006**

(54) **SEWING MACHINE**

D474,482 S * 5/2003 Melzer-Muller D15/69
D492,704 S * 7/2004 Kuroki D15/69

(75) Inventors: **Hiroyasu Hosoi**, Kariya (JP); **Yasushi Hirose**, Nagoya (JP); **Masayuki Katsuyama**, Toyota (JP)

* cited by examiner

(73) Assignee: **Aisin Seiki Kabushiki Kaisha**, Kariya (JP)

Primary Examiner—Nanda Bondade
Assistant Examiner—Shanda C. Hill
(74) *Attorney, Agent, or Firm*—Buchanan & Ingersoll PC

(**) Term: **14 Years**

(57) **CLAIM**

(21) Appl. No.: **29/242,570**

The ornamental design for a sewing machine, as shown and described.

(22) Filed: **Nov. 14, 2005**

DESCRIPTION

(51) **LOC (8) Cl.** **15-06**

(52) **U.S. Cl.** **D15/69**

(58) **Field of Classification Search** D15/66-70;
112/2, 63, 78, 154, 163, 217.1, 217.2, 217.3,
112/217.4, 258-261, 444

See application file for complete search history.

FIG. 1 is a perspective view of a sewing machine showing our new design;

FIG. 2 is a front elevational view of thereof;

FIG. 3 is a rear elevational view thereof;

FIG. 4 is a top plan view thereof;

FIG. 5 is a bottom plan view thereof;

FIG. 6 is a right side elevational view thereof;

FIG. 7 is a left side elevational view thereof;

FIG. 8 is a perspective view of thereof, shown with the lid open;

FIG. 9 is a front elevational view of thereof, shown with the lid open; and,

FIG. 10 is a top plan view of thereof, shown with the lid open.

(56) **References Cited**

U.S. PATENT DOCUMENTS

D403,333 S * 12/1998 Takada et al. D15/70
D430,886 S * 9/2000 Yamamoto D15/69
D450,332 S * 11/2001 Kuroki et al. D15/69
D450,720 S * 11/2001 Kuroki D15/69
D459,369 S * 6/2002 Yamamoto et al. D15/69
D472,562 S * 4/2003 Yamamoto et al. D15/69

1 Claim, 9 Drawing Sheets

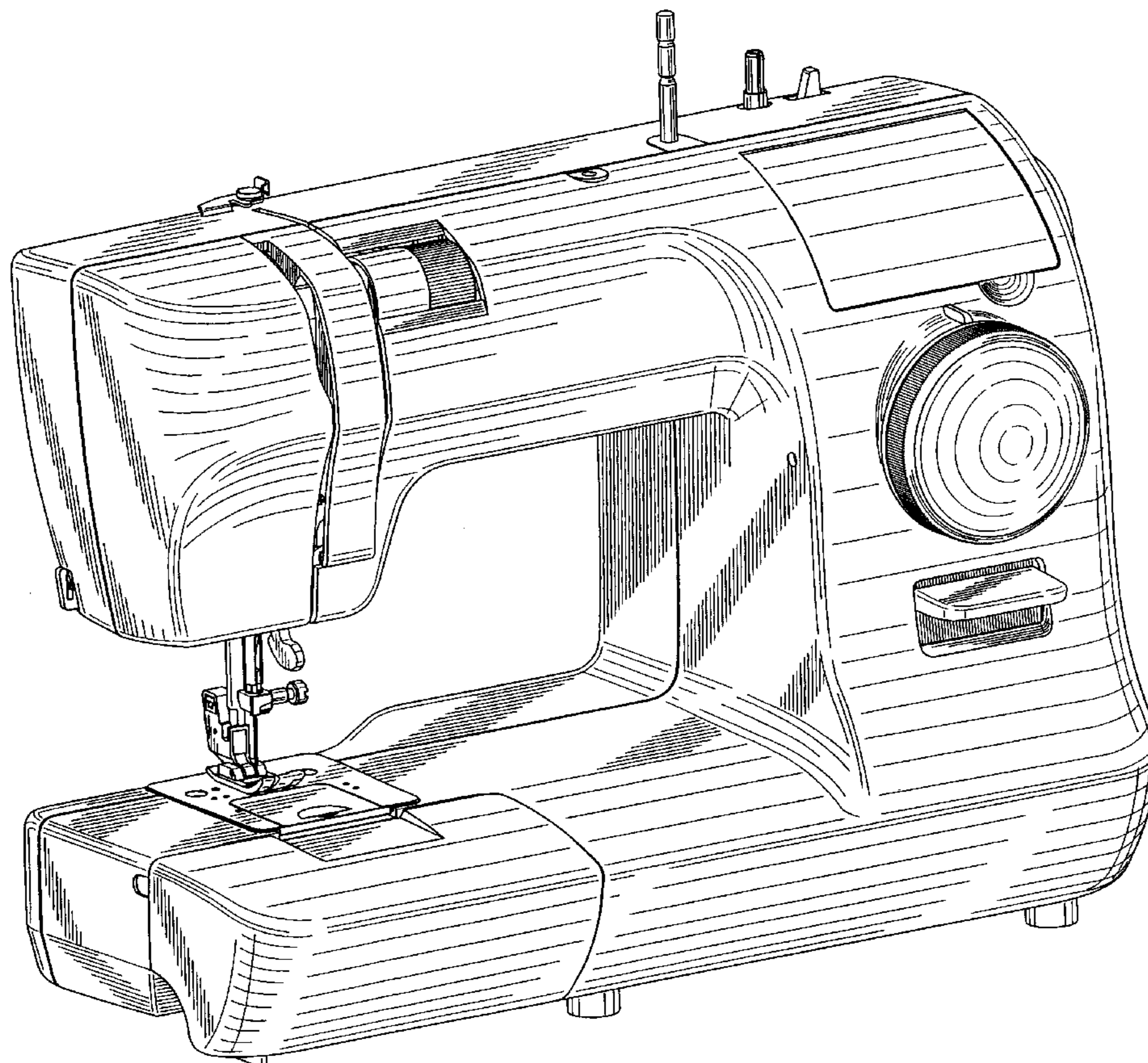


FIG. 1

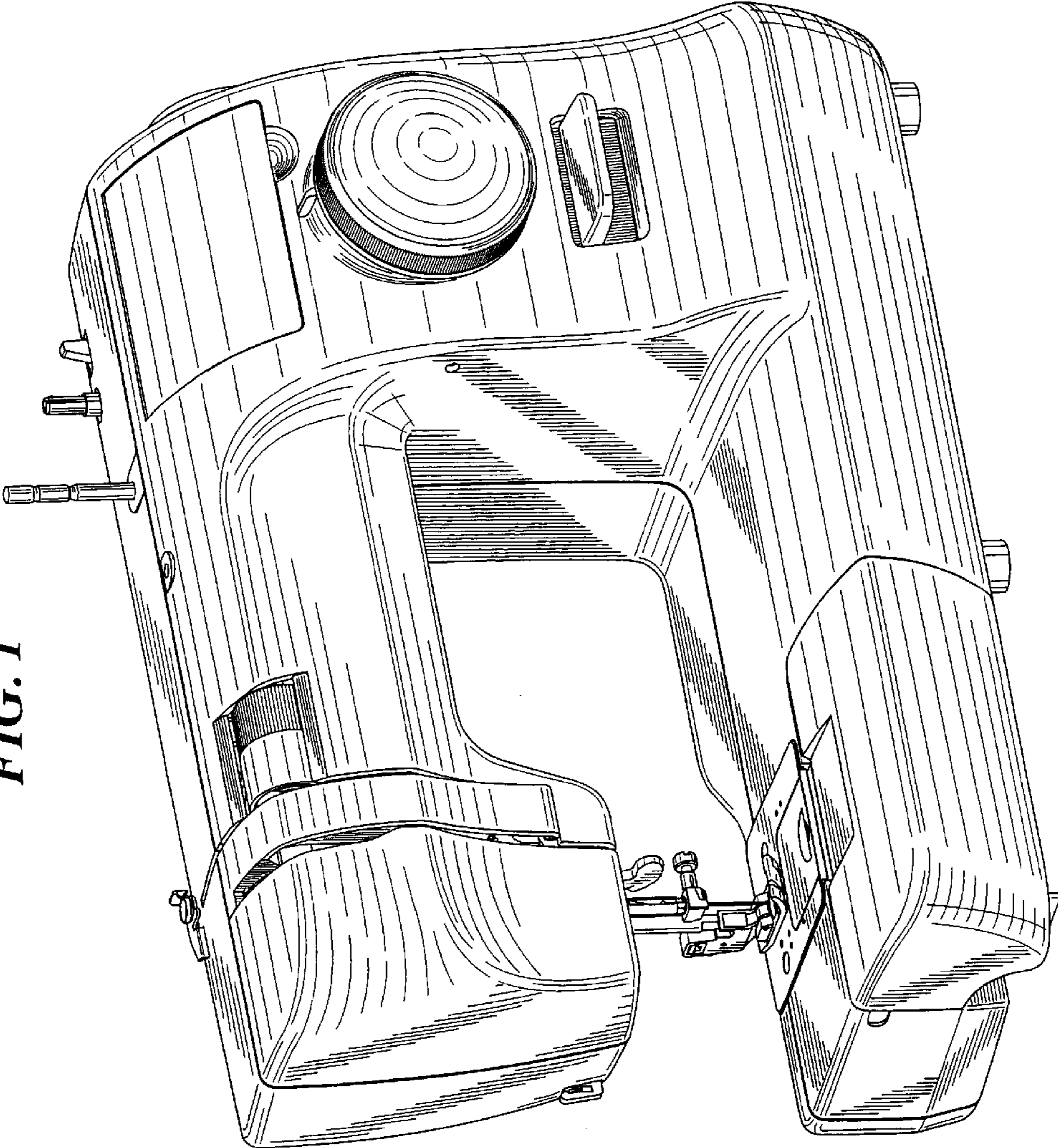


FIG. 2

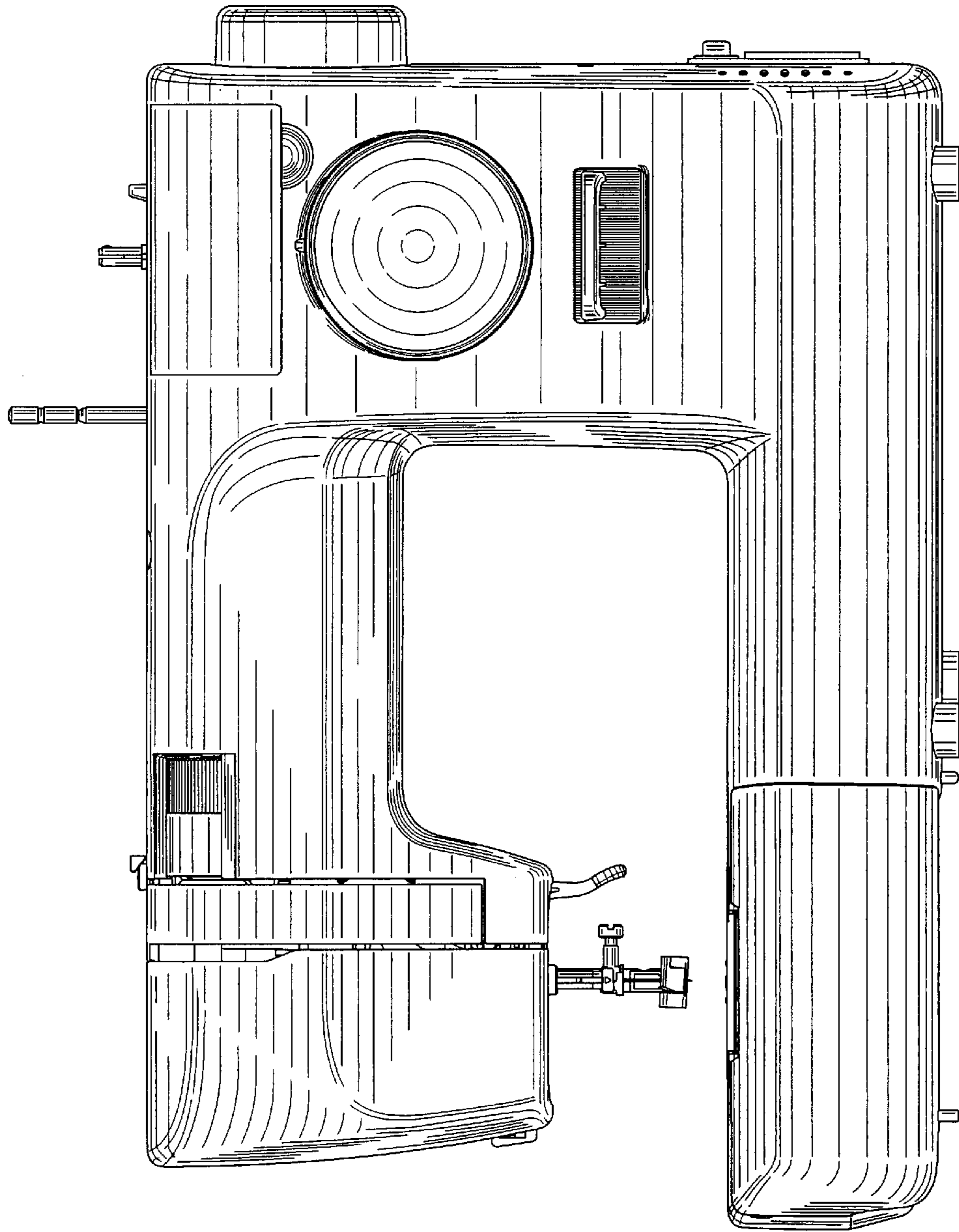


FIG. 3

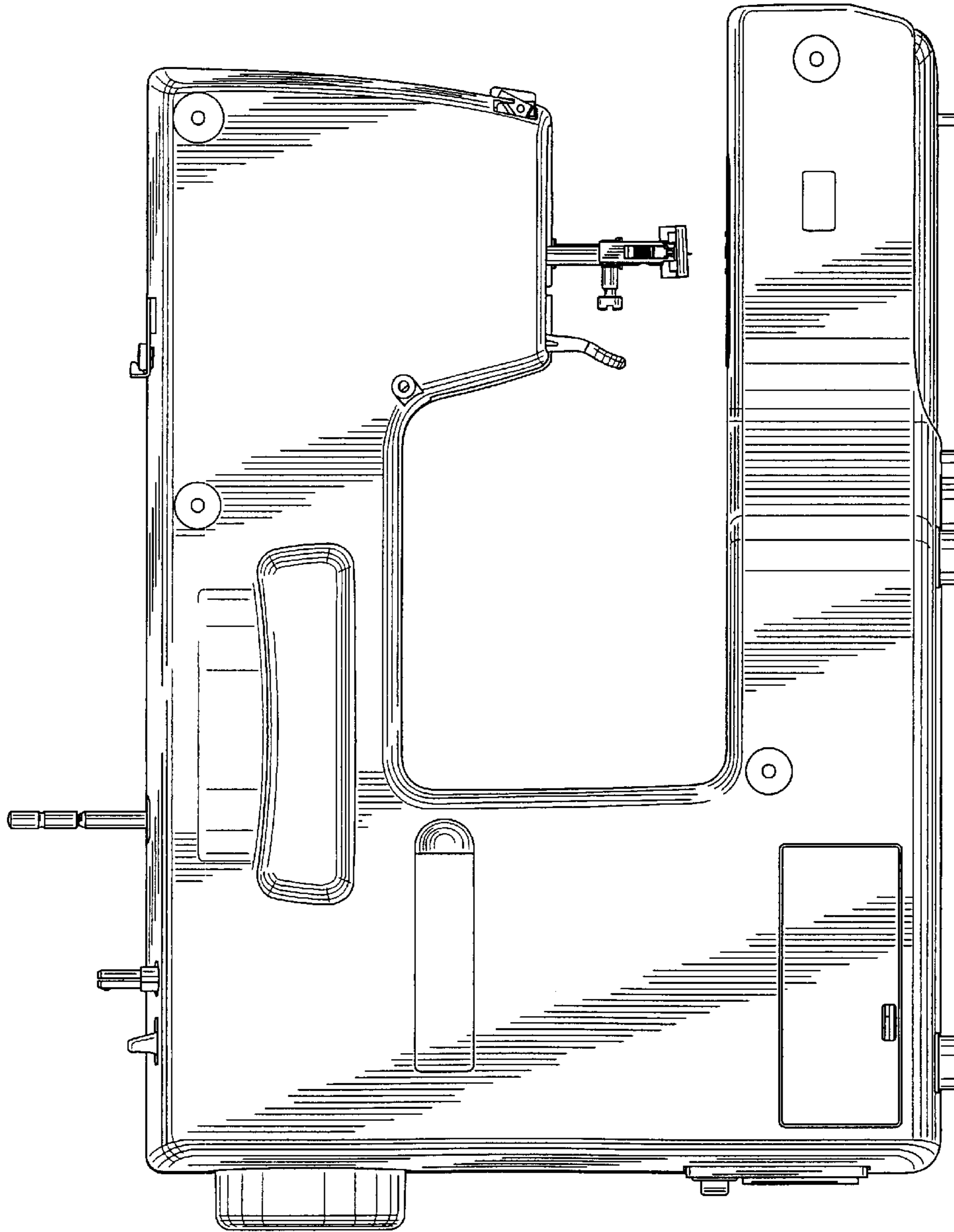


FIG. 4

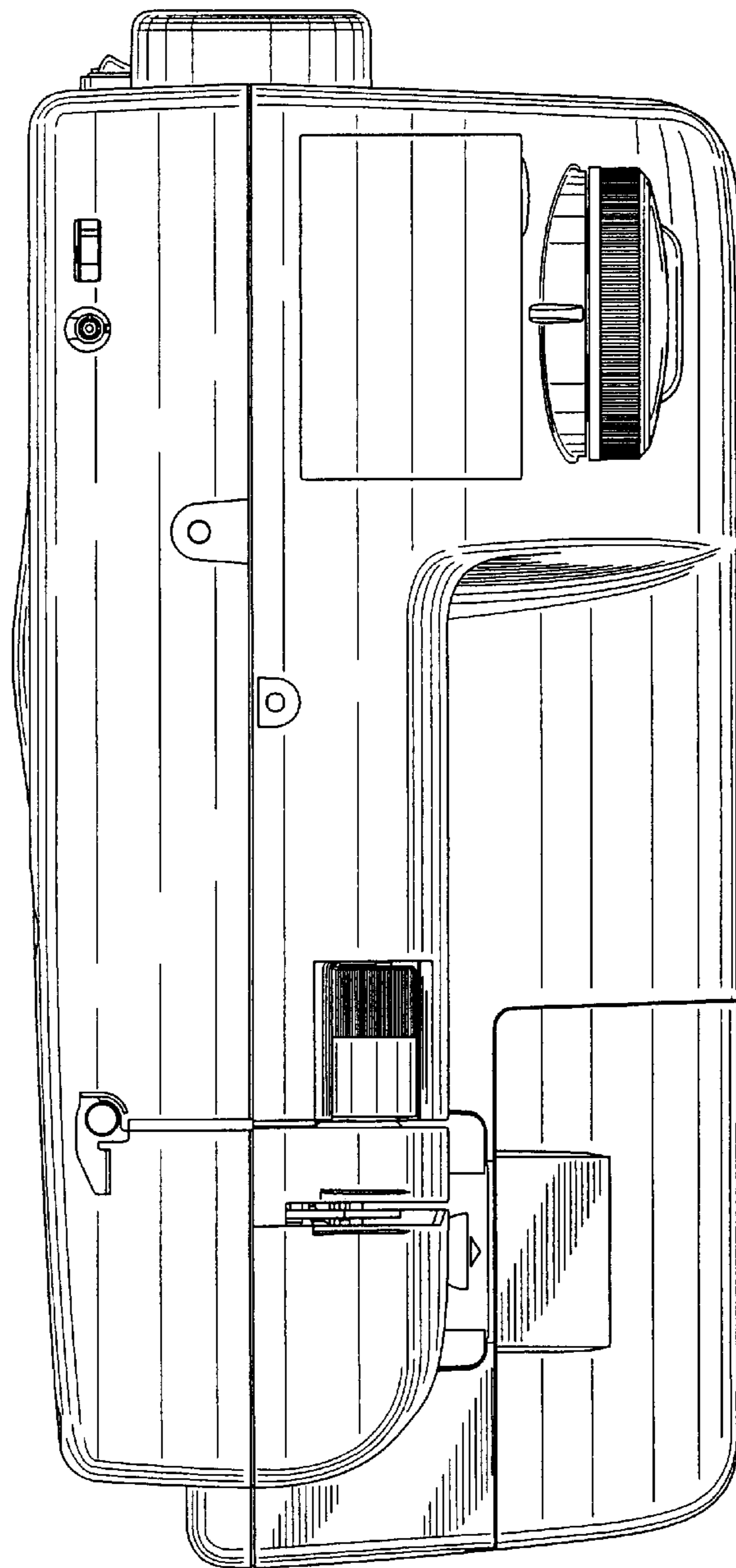


FIG. 5

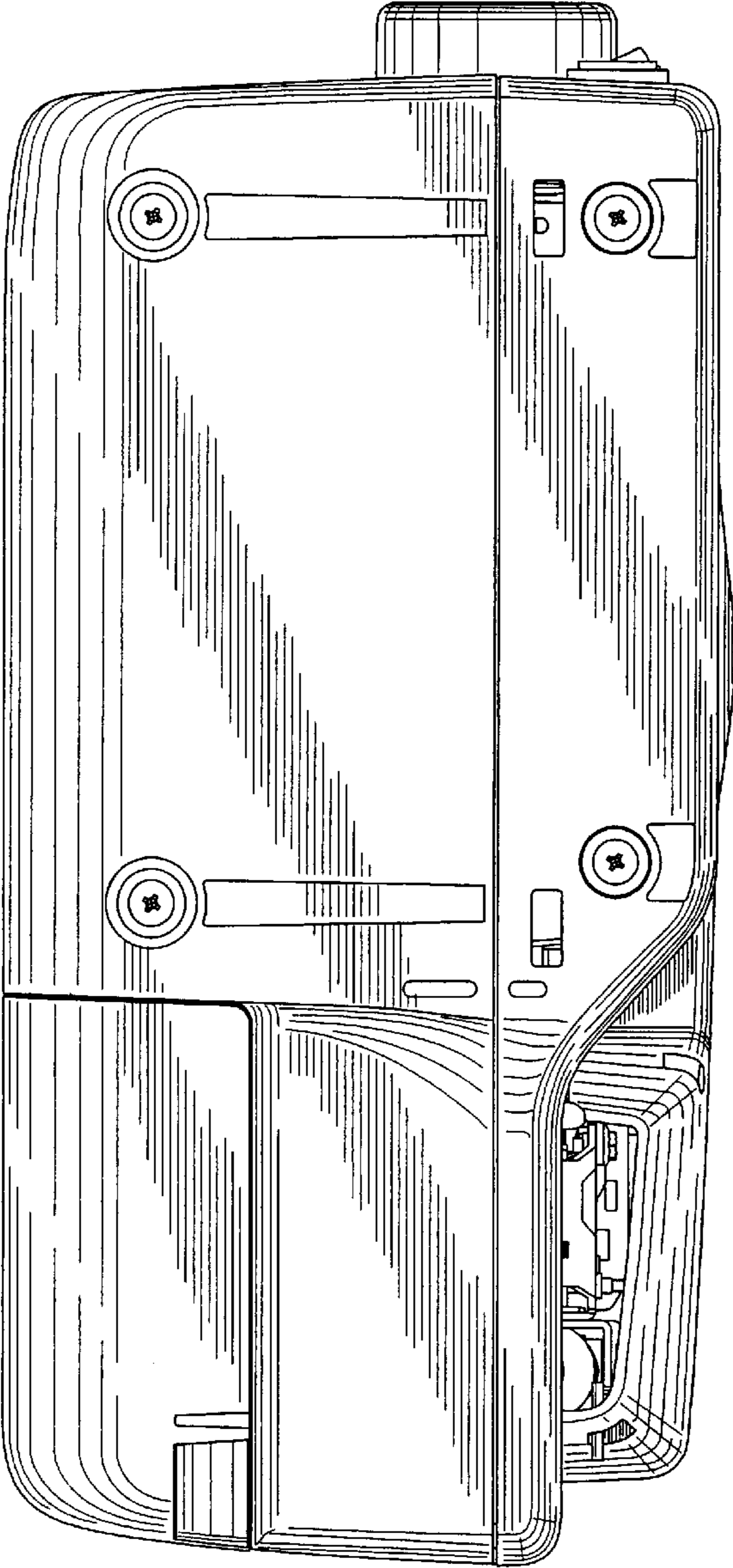


FIG. 7

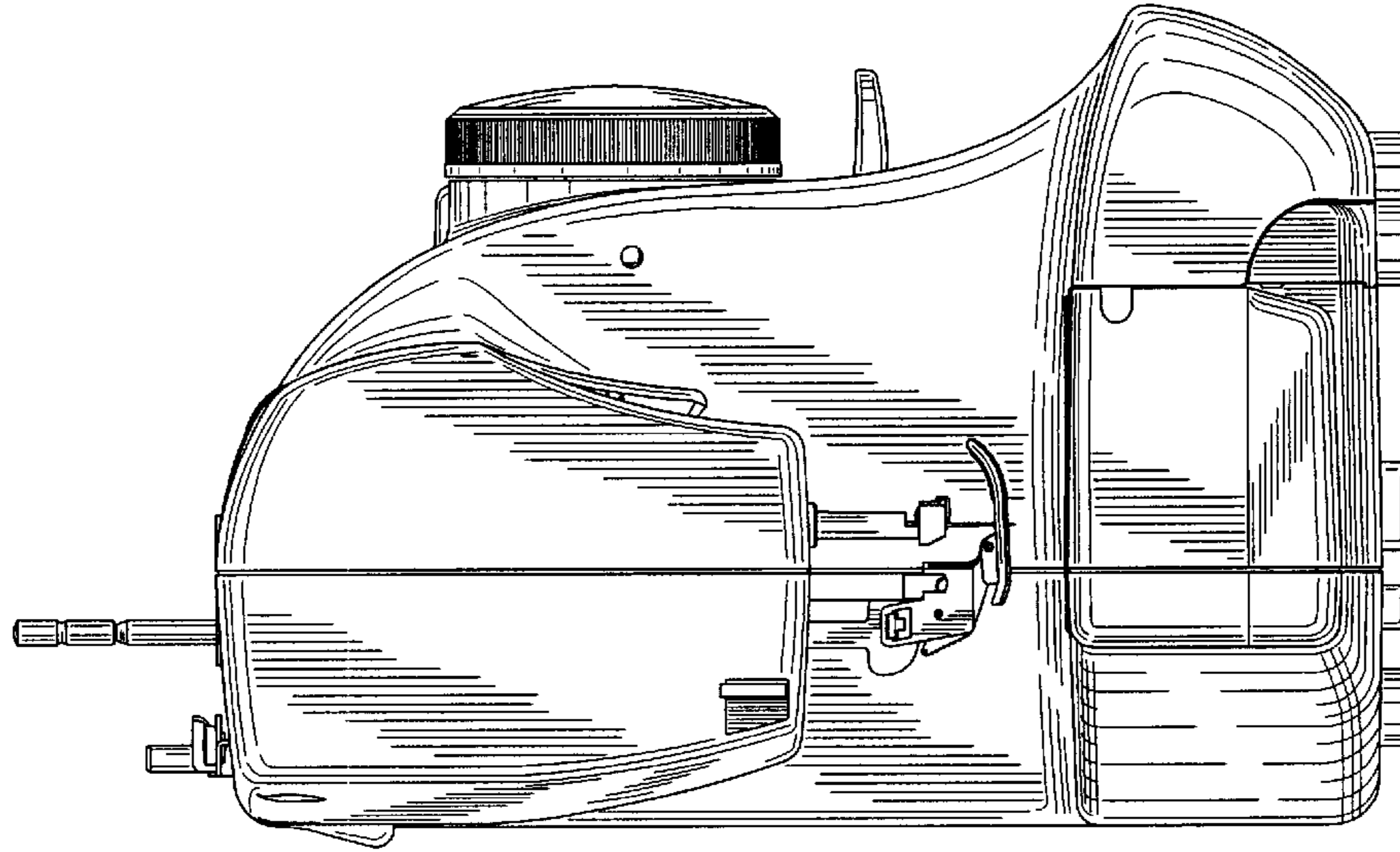
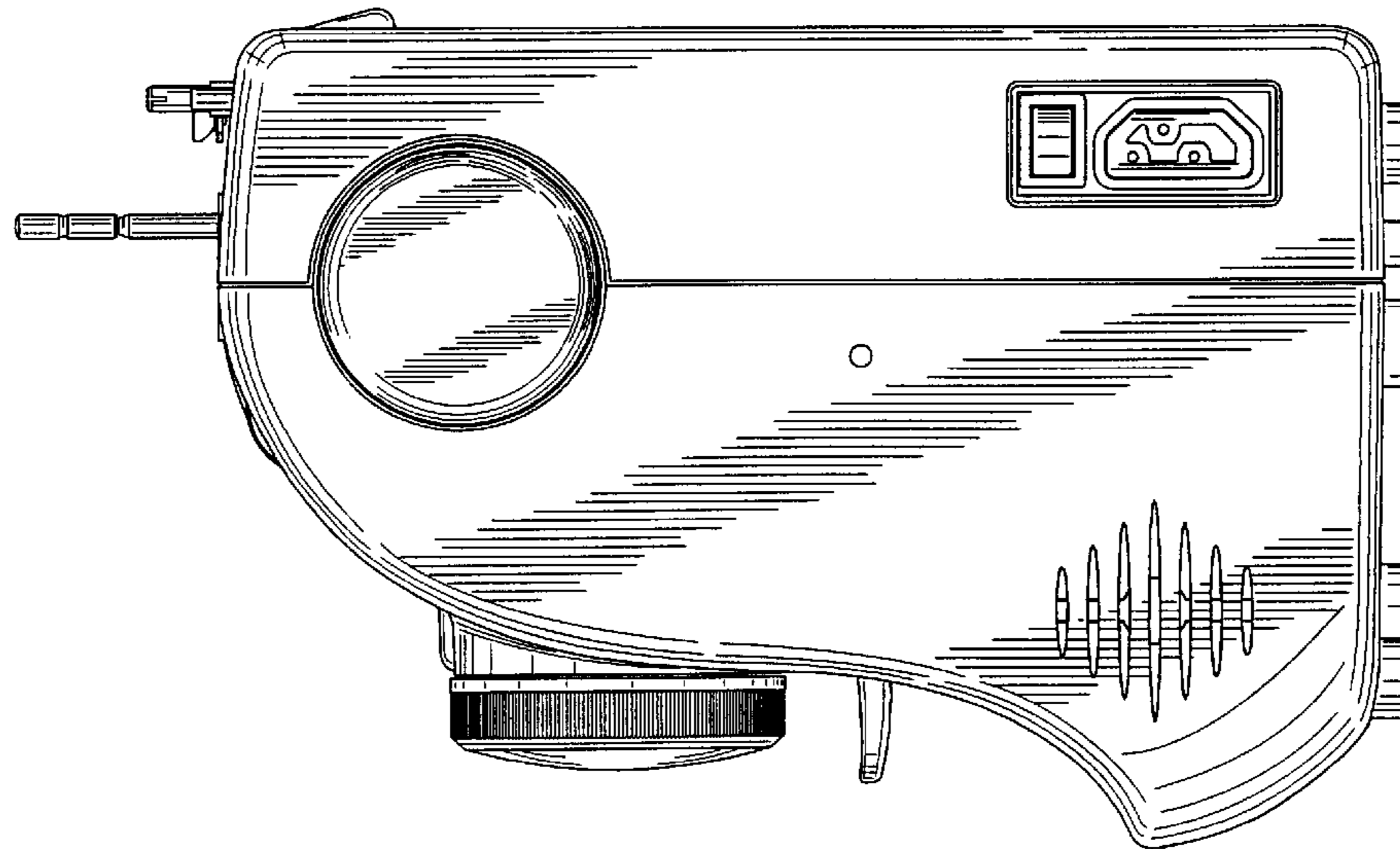


FIG. 6



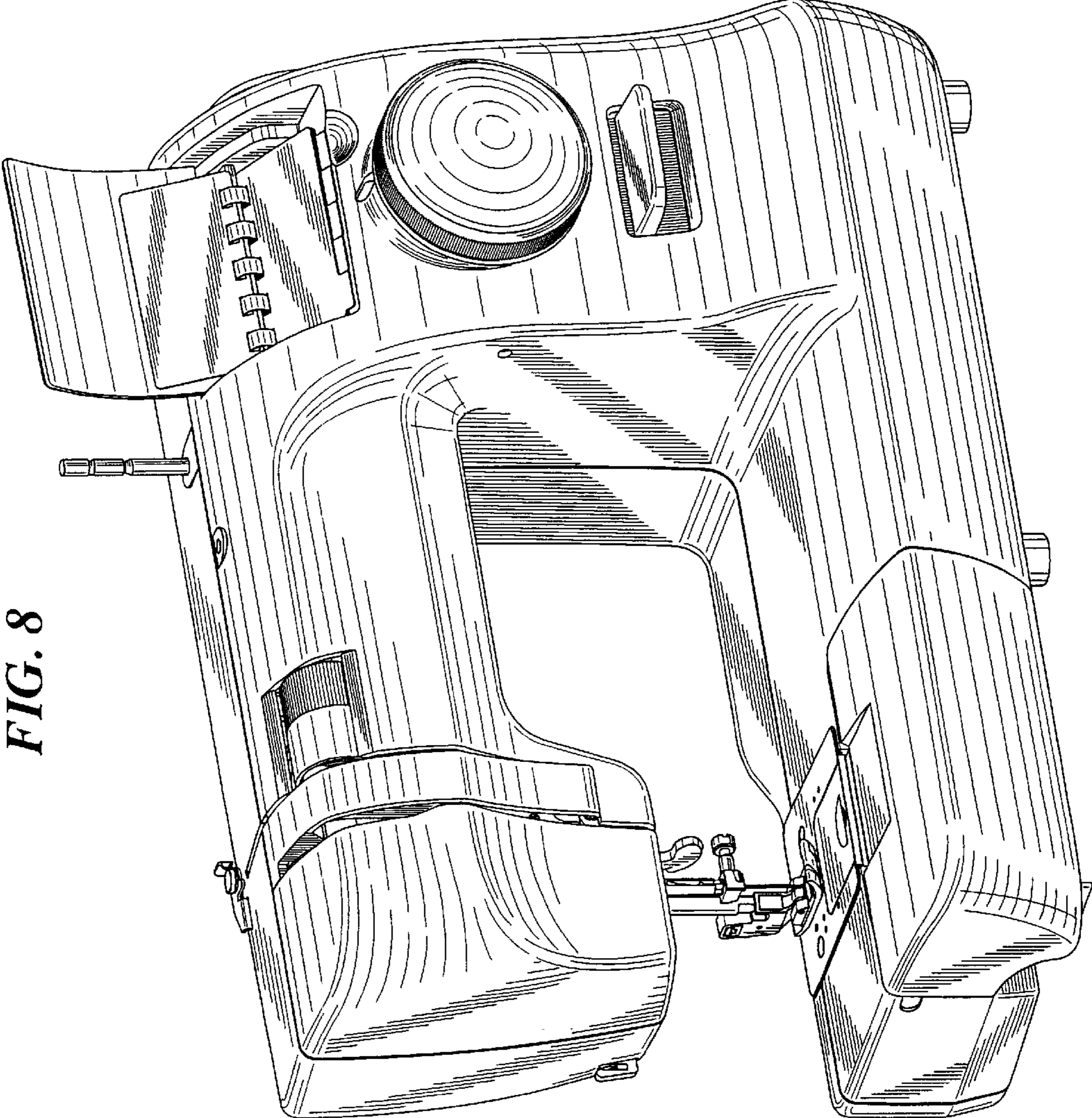


FIG. 8

FIG. 9

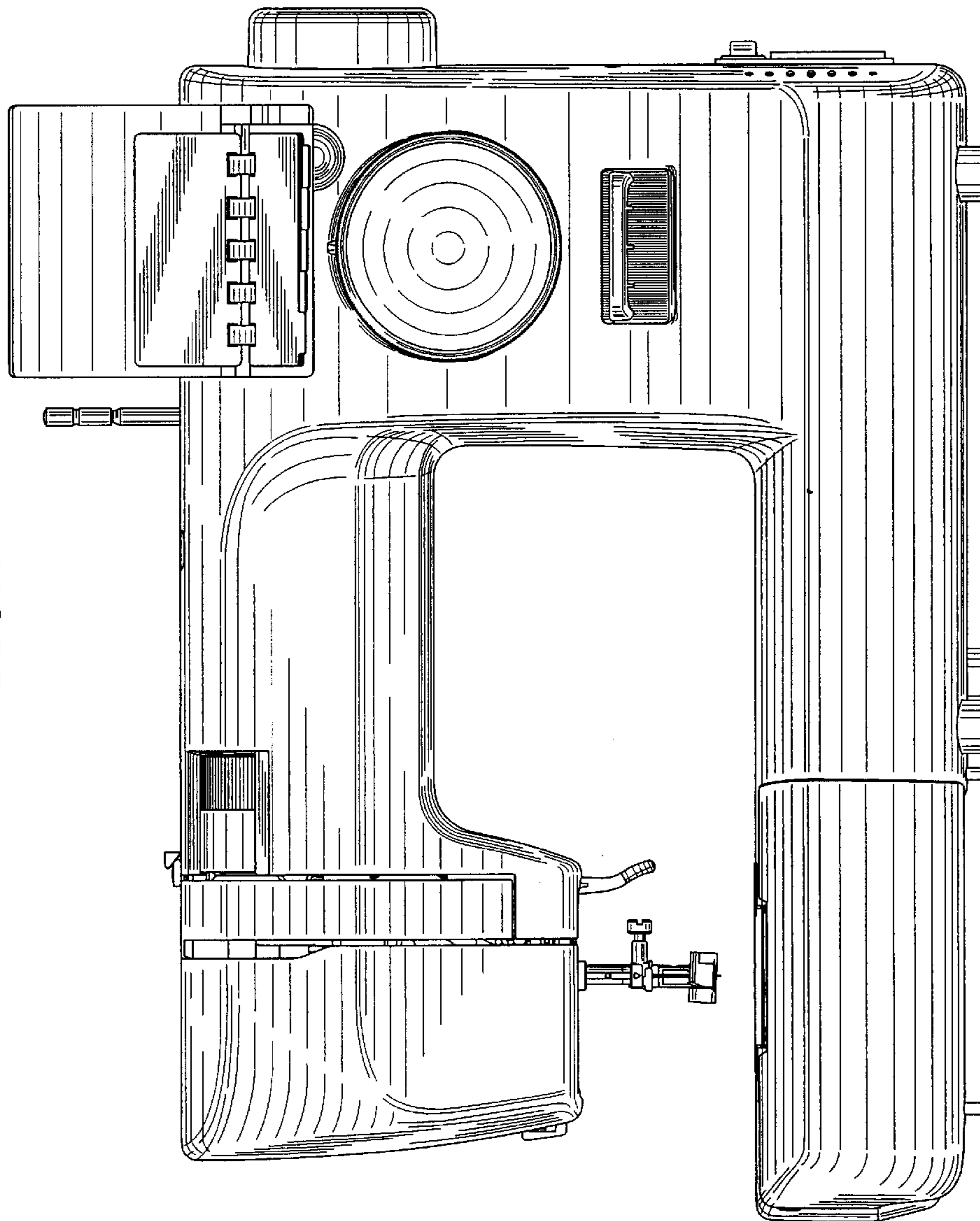


FIG. 10

