



US00D529053S

(12) **United States Design Patent**
Stender et al.

(10) **Patent No.:** **US D529,053 S**
(45) **Date of Patent:** **** Sep. 26, 2006**

(54) **FRONT END LOADER**
(75) Inventors: **James Curtis Stender**, Schleswig, IA (US); **Joseph W. Langenfeld**, Onawa, IA (US); **Neal W. Westendorf**, Dakota Dunes, SD (US)

(73) Assignee: **Westendorf Manufacturing Co., Inc.**, Onawa, IA (US)

(**) Term: **14 Years**

(21) Appl. No.: **29/204,563**

(22) Filed: **Apr. 30, 2004**

(51) **LOC (8) Cl.** **15-03**

(52) **U.S. Cl.** **D15/32**

(58) **Field of Classification Search** D15/10, D15/22-25, 28, 32; D34/36; 180/89.1, 89.12, 180/89.13; 414/685, 540, 559, 694, 708, 414/686, 723, 918, 680, 800, 722, 724; 172/272-275; 37/304, 468; 212/347

See application file for complete search history.

(56) **References Cited**

U.S. PATENT DOCUMENTS

2,326,338 A	8/1943	Drott et al.	
D167,758 S	* 9/1952	Michaels et al. D15/32
2,812,595 A	11/1957	Drott et al.	
3,077,999 A	2/1963	Svoboda	
3,209,474 A	10/1965	Artman	
3,243,905 A	4/1966	Ulrich	
3,344,540 A	10/1967	Ulrich	
3,455,477 A	7/1969	Blair	
D214,833 S	* 8/1969	Glemmen D15/32
3,489,303 A	* 1/1970	McMullen et al. 414/686
D217,661 S	5/1970	McCawley	
3,512,665 A	5/1970	Westendorf	
3,701,443 A	10/1972	Lely	
D230,622 S	3/1974	Conroy et al.	
3,863,786 A	* 2/1975	Frank 414/686
3,944,089 A	* 3/1976	Polyanin et al. 414/686
3,991,890 A	11/1976	Frank	
4,033,469 A	7/1977	Frank	
4,051,962 A	10/1977	Westendorf	

4,085,856 A	4/1978	Westendorf	
4,345,870 A	8/1982	Anderson et al.	
4,538,955 A	9/1985	Langenfeld et al.	
4,565,485 A	1/1986	Wilman	
4,566,844 A	1/1986	Campin	
4,606,692 A	8/1986	Langenfeld et al.	
4,787,811 A	11/1988	Langenfeld et al.	
4,790,084 A	12/1988	Anderson et al.	
4,797,051 A	1/1989	Langenfeld et al.	
4,798,512 A	* 1/1989	Intveld 414/722
4,859,130 A	8/1989	Langenfeld et al.	
4,890,400 A	1/1990	Long	
4,915,575 A	4/1990	Langenfeld et al.	
4,930,974 A	6/1990	Langenfeld et al.	
4,968,213 A	11/1990	Langenfeld et al.	
4,995,760 A	2/1991	Probst et al.	

(Continued)

OTHER PUBLICATIONS

“Kubota Diesel Tractor”, Catalog No. 3079-01-US, 12 Pages, Feb. 1990.

“Bush Hog Front End Loaders”, 12 Pages, Date Unknown.

“Bush Hog QT Series Front End Loaders”, 16 Pages, Date Unknown.

Primary Examiner—Stella Reid

Assistant Examiner—Mark Goodwin

(74) *Attorney, Agent, or Firm*—Merchant & Gould, PC

(57) **CLAIM**

The ornamental design for front end loader, as shown and described.

DESCRIPTION

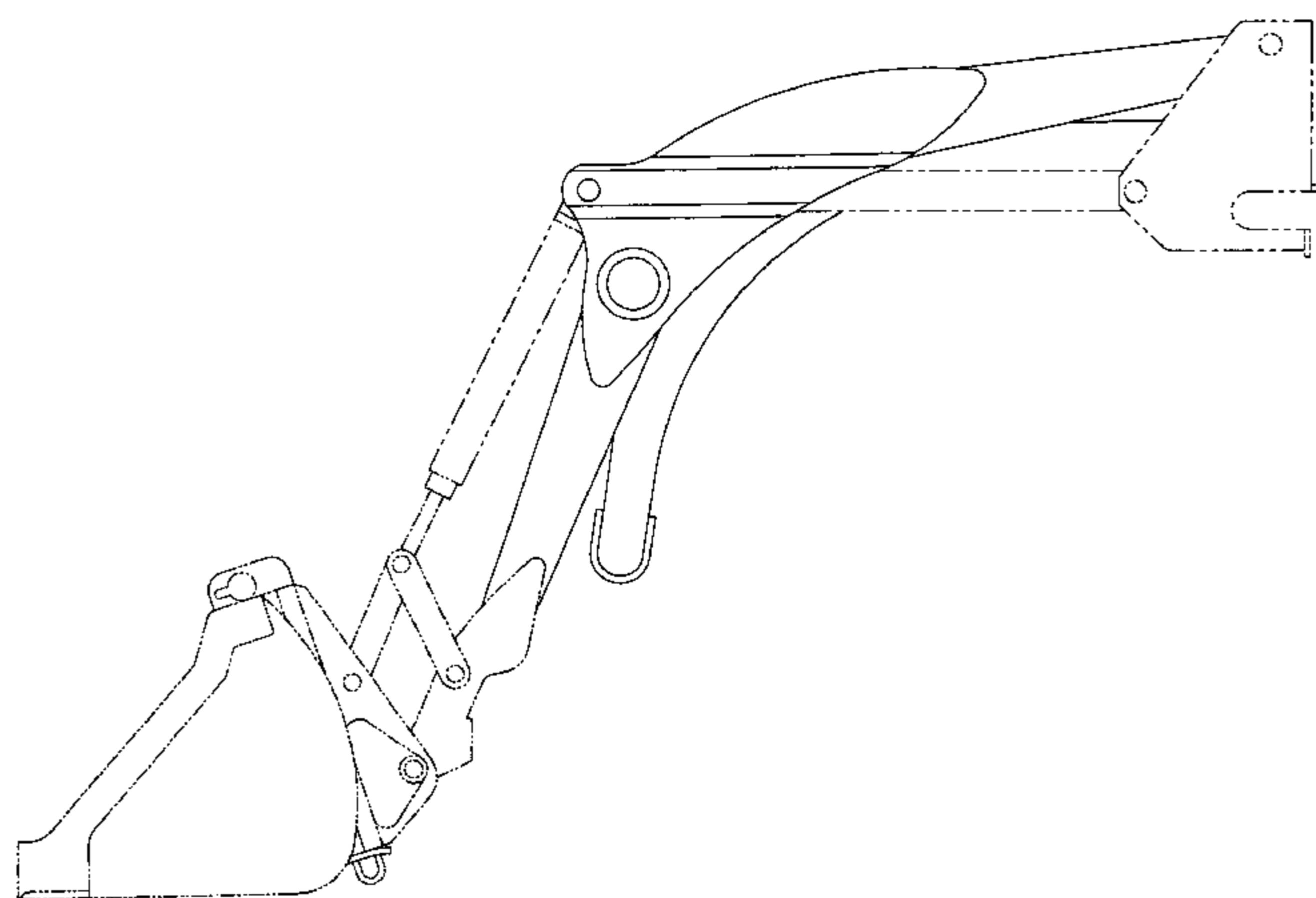
FIG. 1 is a side elevational view of a front end loader showing our new design; and,

FIG. 2 is a side elevational of the front end loader of FIG. 1 shown attached to a tractor illustrated in broken lines.

The views of the front end loader other than those shown do not form a part of the claim of this design patent application.

The portions provided by broken lines are intended to reflect environment and do not form a part of the indicated embodiment of this design patent application.

1 Claim, 2 Drawing Sheets



US D529,053 S

Page 2

U.S. PATENT DOCUMENTS

4,999,022	A	3/1991	Veys				
D319,448	S	* 8/1991	Ball et al.	D15/32	5,984,618	A	* 11/1999 Deneve et al. 414/722
5,121,557	A	6/1992	Moore		5,997,237	A	12/1999 Langenfeld et al.
5,125,787	A	* 6/1992	Ball et al.	414/722	6,035,941	A	* 3/2000 Hirooka et al. 172/274
5,232,330	A	* 8/1993	Rae et al.	414/686	6,116,847	A	* 9/2000 Ginn et al. 414/722
5,240,367	A	8/1993	Nakamura et al.		6,142,724	A	11/2000 Hirooka et al.
5,387,076	A	2/1995	Fuzzen		D449,055	S	* 10/2001 Guiet D15/28
D361,576	S	8/1995	Matsubara et al.		D451,105	S	* 11/2001 Masumoto et al. D15/28
5,466,113	A	11/1995	Norberg		6,386,821	B1	* 5/2002 Schneider 414/686
5,785,328	A	7/1998	Eckloff		D459,368	S	6/2002 Westendorf et al.
D410,240	S	* 5/1999	Sasaki	D15/32	6,409,459	B1	* 6/2002 Ginn et al. 414/685
D412,913	S	* 8/1999	Sasaki	D15/32	6,582,177	B1	6/2003 Westendorf et al.
					6,663,337	B1	12/2003 Westendorf et al.

* cited by examiner

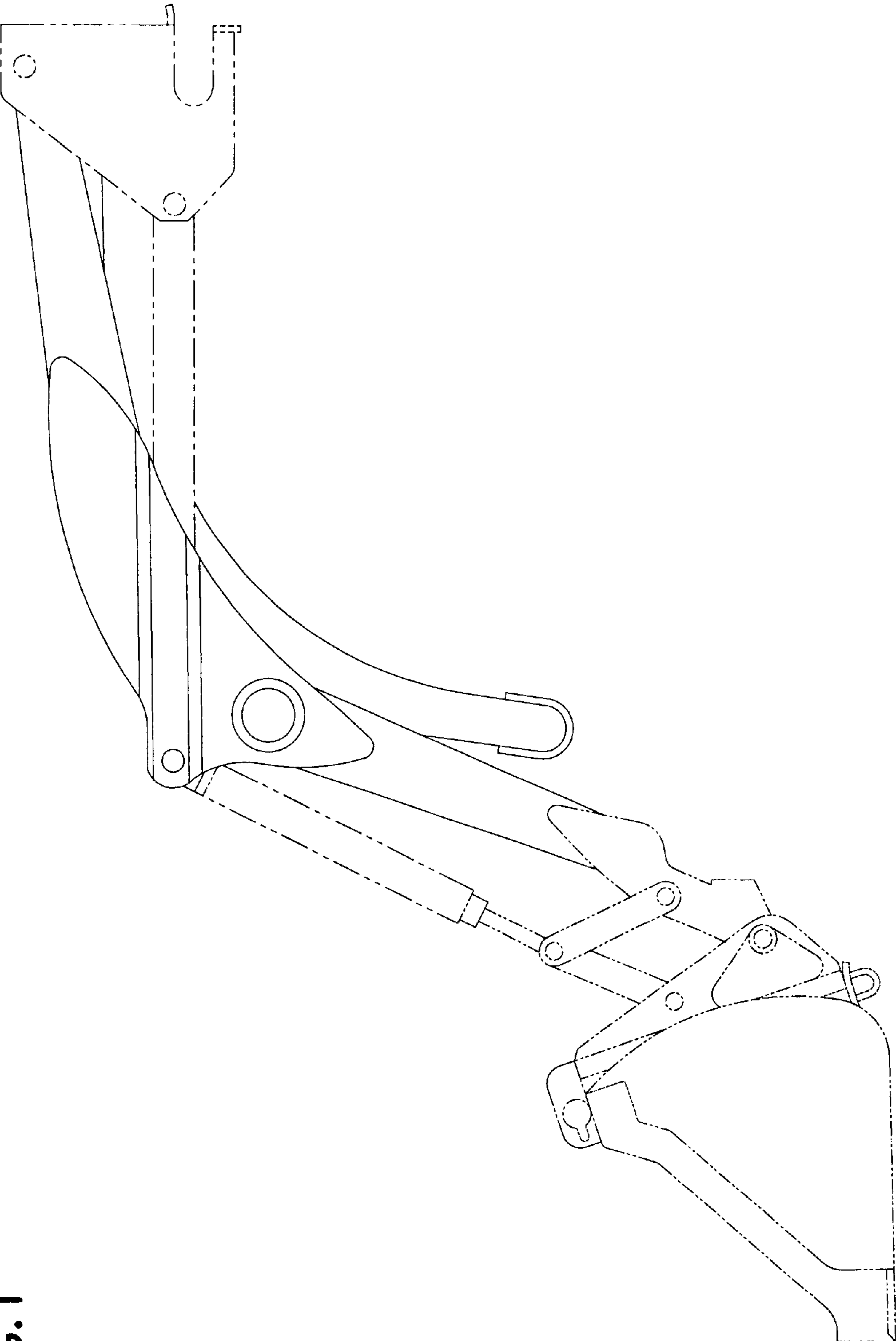


FIG. 1

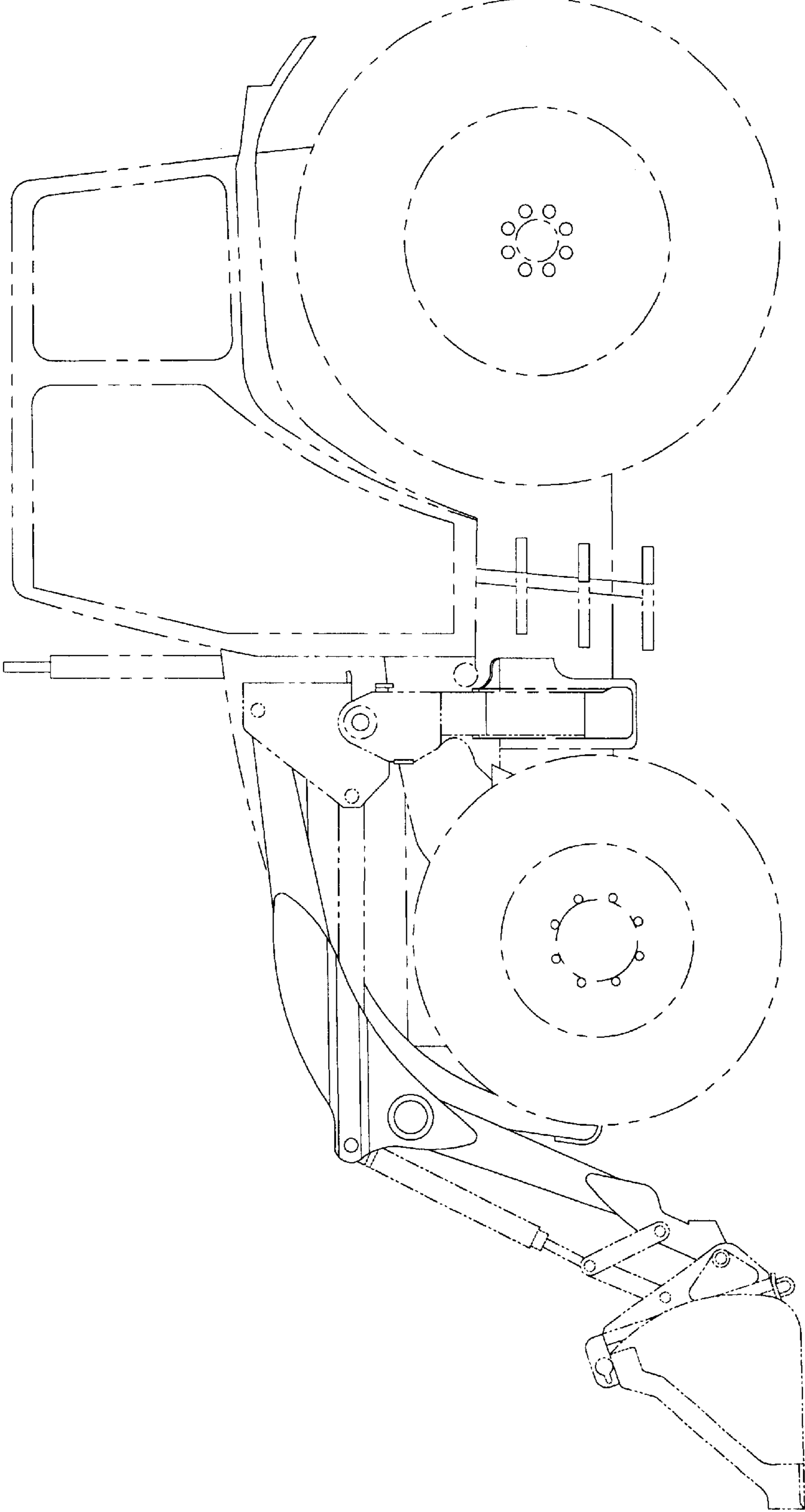


FIG.2