

US00D529051S

(12) **United States Design Patent**
Chu

(10) **Patent No.:** **US D529,051 S**

(45) **Date of Patent:** **** Sep. 26, 2006**

(54) **AIR COMPRESSOR**

(76) **Inventor:** **Sammy Chu**, 26072 Merit Cir., Suite 111, Laguna Hills, CA (US) 92653

(**) **Term:** **14 Years**

(21) **Appl. No.:** **29/241,783**

(22) **Filed:** **Oct. 31, 2005**

(51) **LOC (8) Cl.** **15-02**

(52) **U.S. Cl.** **D15/9**

(58) **Field of Classification Search** D15/7-9;
D23/232, 231; 417/359, 415-416, 410.1,
417/321, 265, 405

See application file for complete search history.

(56) **References Cited**

U.S. PATENT DOCUMENTS

| | | | | | |
|------------|---|---------|------------|-------|-------|
| D373,774 S | * | 9/1996 | Chen | | D15/9 |
| D405,455 S | * | 2/1999 | Leu et al. | | D15/9 |
| D470,509 S | * | 2/2003 | Chen | | D15/9 |
| D499,745 S | * | 12/2004 | Hsiao | | D15/9 |

| | | | | | |
|------------|---|---------|------------|-------|-------|
| D507,278 S | * | 7/2005 | Moser, III | | D15/9 |
| D508,922 S | * | 8/2005 | Li et al. | | D15/9 |
| D512,442 S | * | 12/2005 | Moser, III | | D15/9 |

* cited by examiner

Primary Examiner—Ralf Seifert

(74) *Attorney, Agent, or Firm*—J.C. Patents

(57) **CLAIM**

The ornamental design for an air compressor, as shown and described.

DESCRIPTION

FIG. 1 is a front perspective view of an air compressor showing my new design.

FIG. 2 is a rear perspective view thereof.

FIG. 3 is a front view thereof.

FIG. 4 is a rear view thereof.

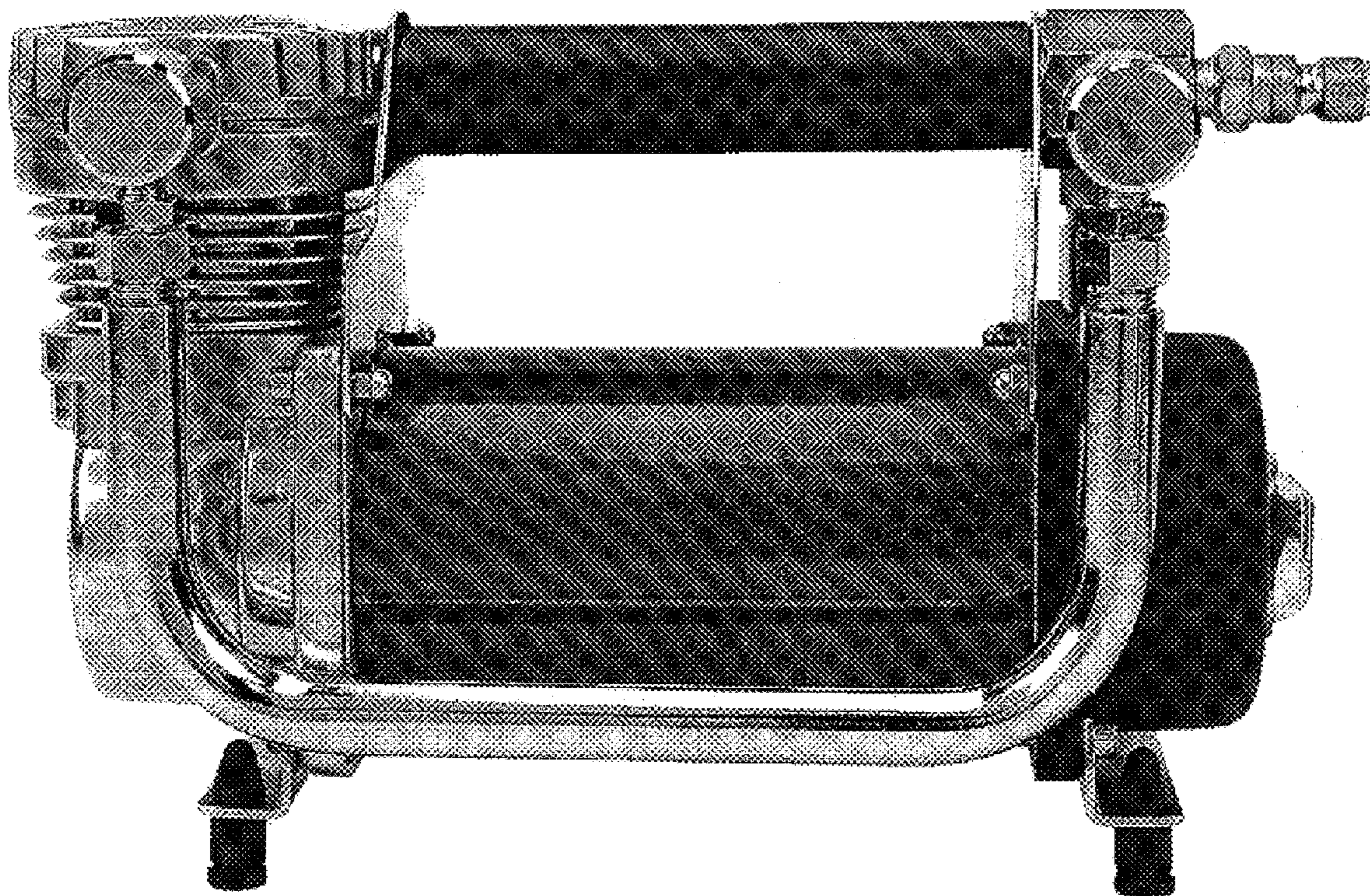
FIG. 5 is a right side view thereof.

FIG. 6 is a left side view thereof.

FIG. 7 is a top view thereof; and,

FIG. 8 is a bottom view thereof.

1 Claim, 8 Drawing Sheets



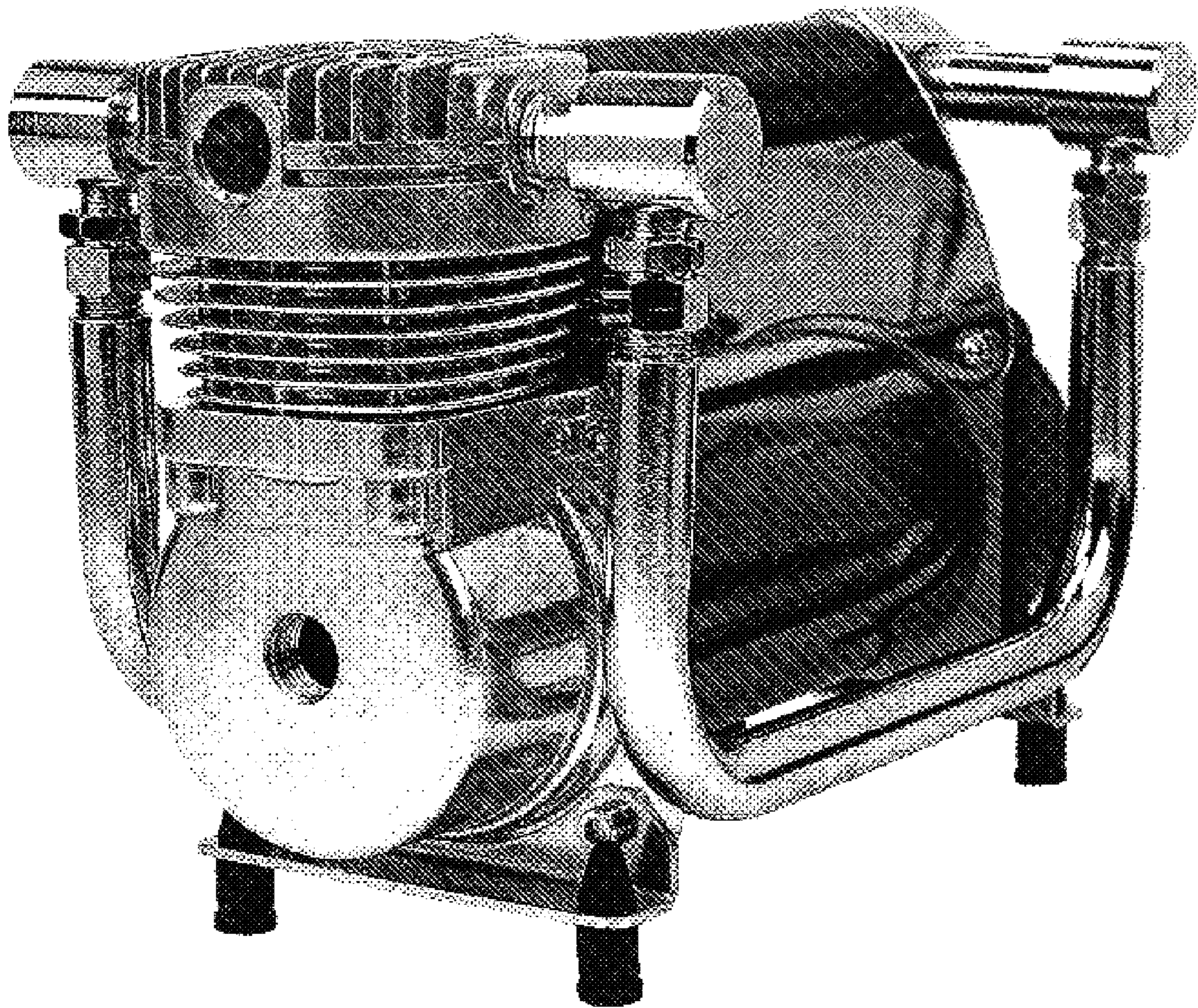


Figure 1

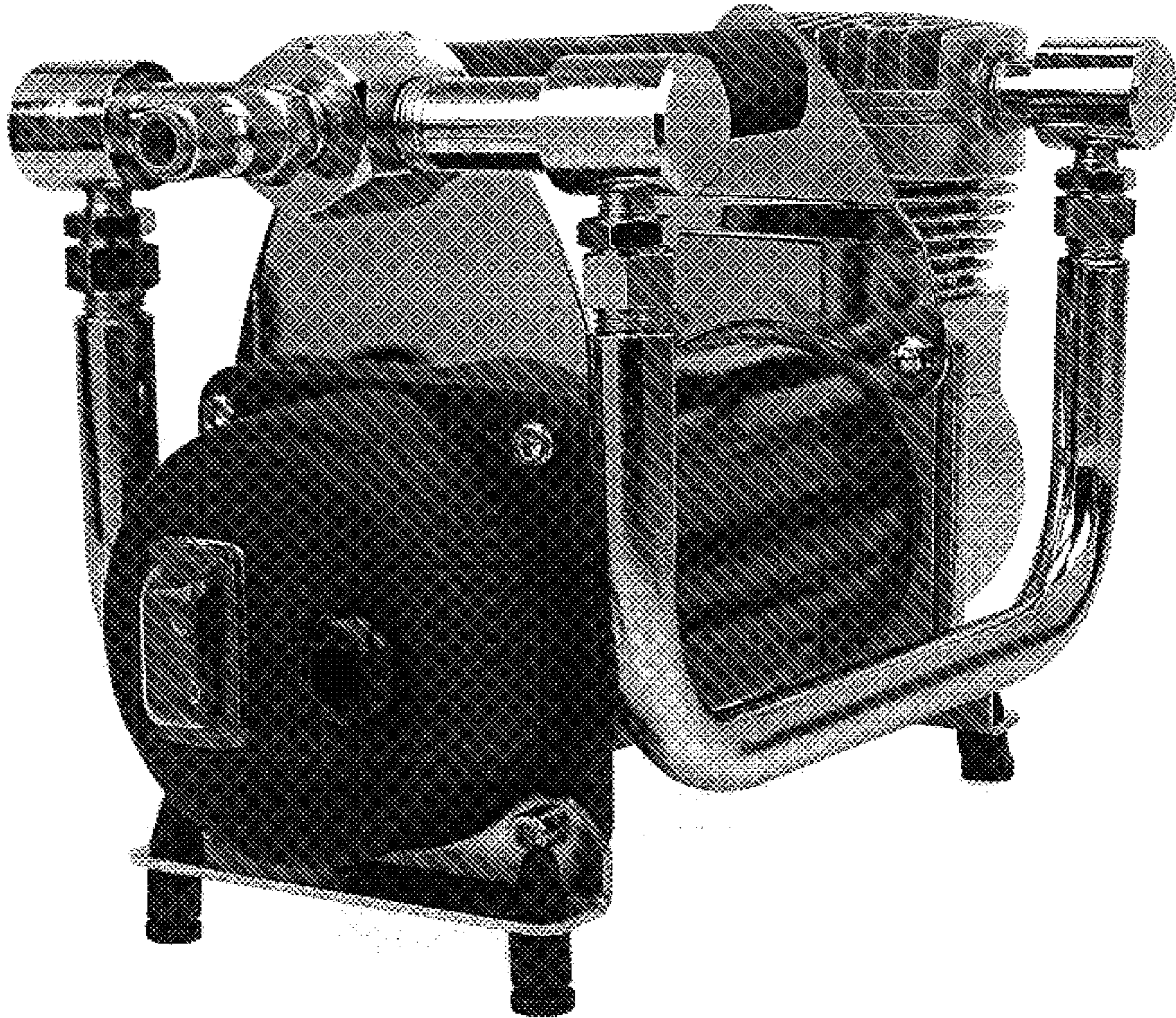


Figure 2

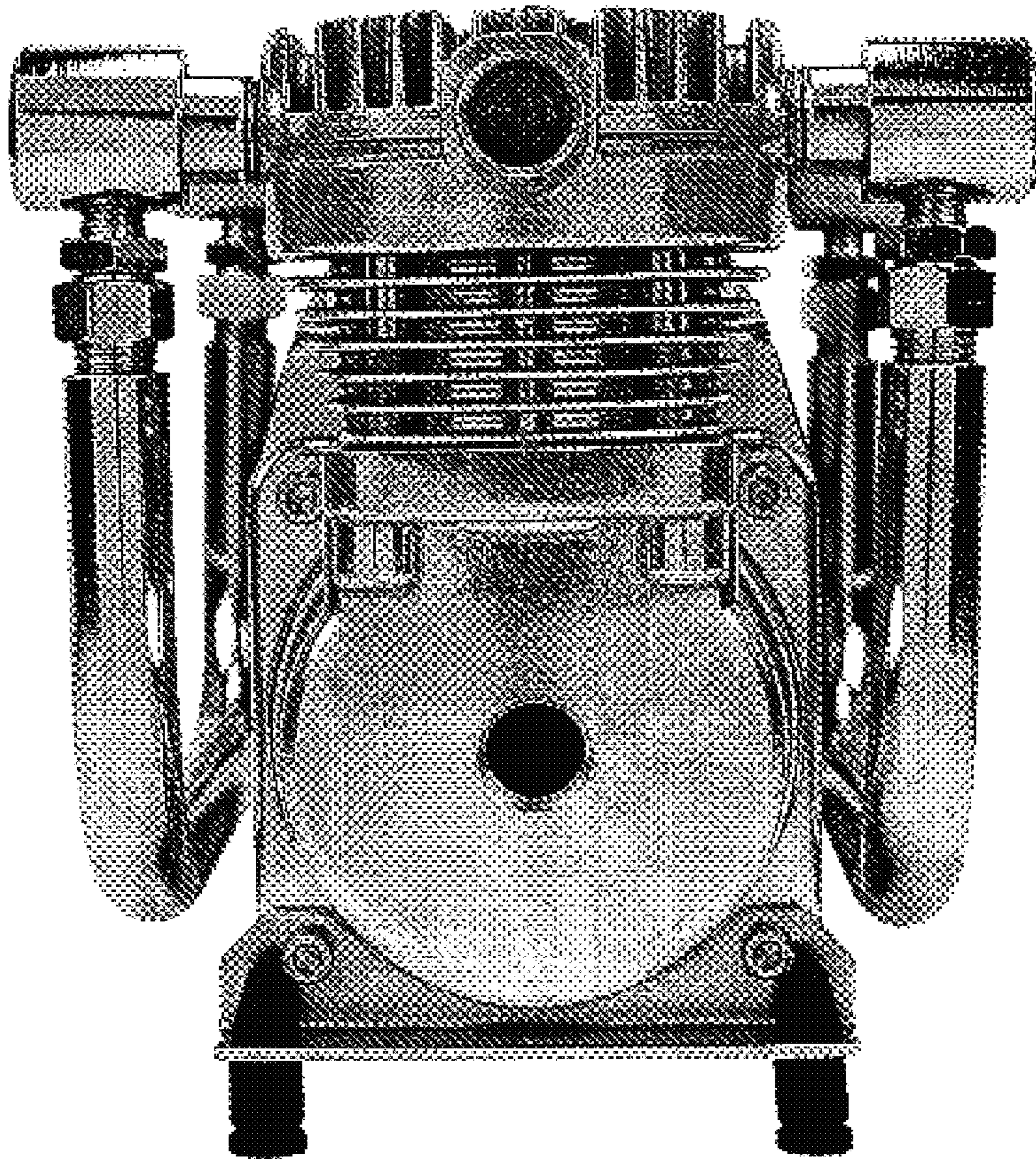


Figure 3

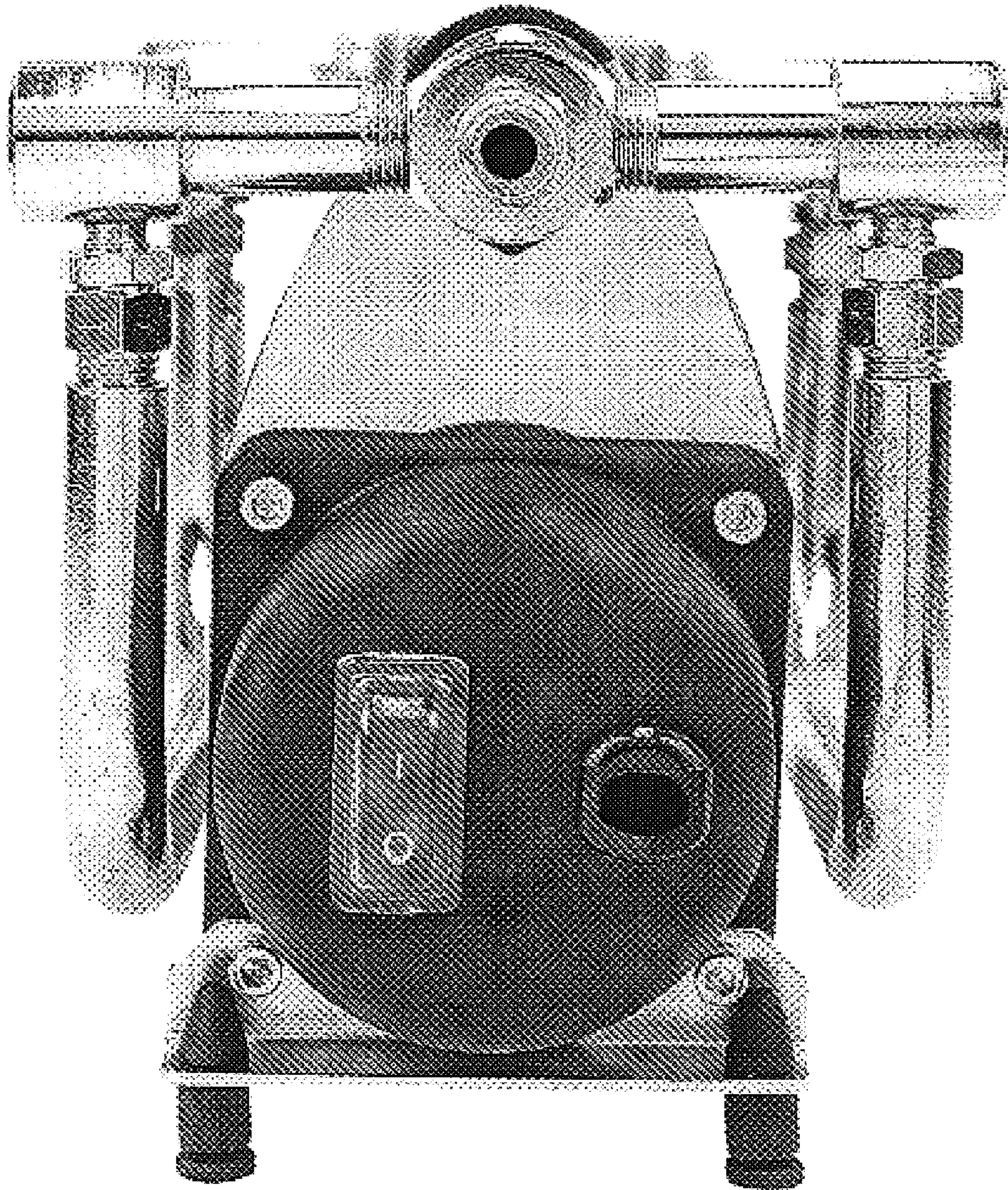


Figure 4

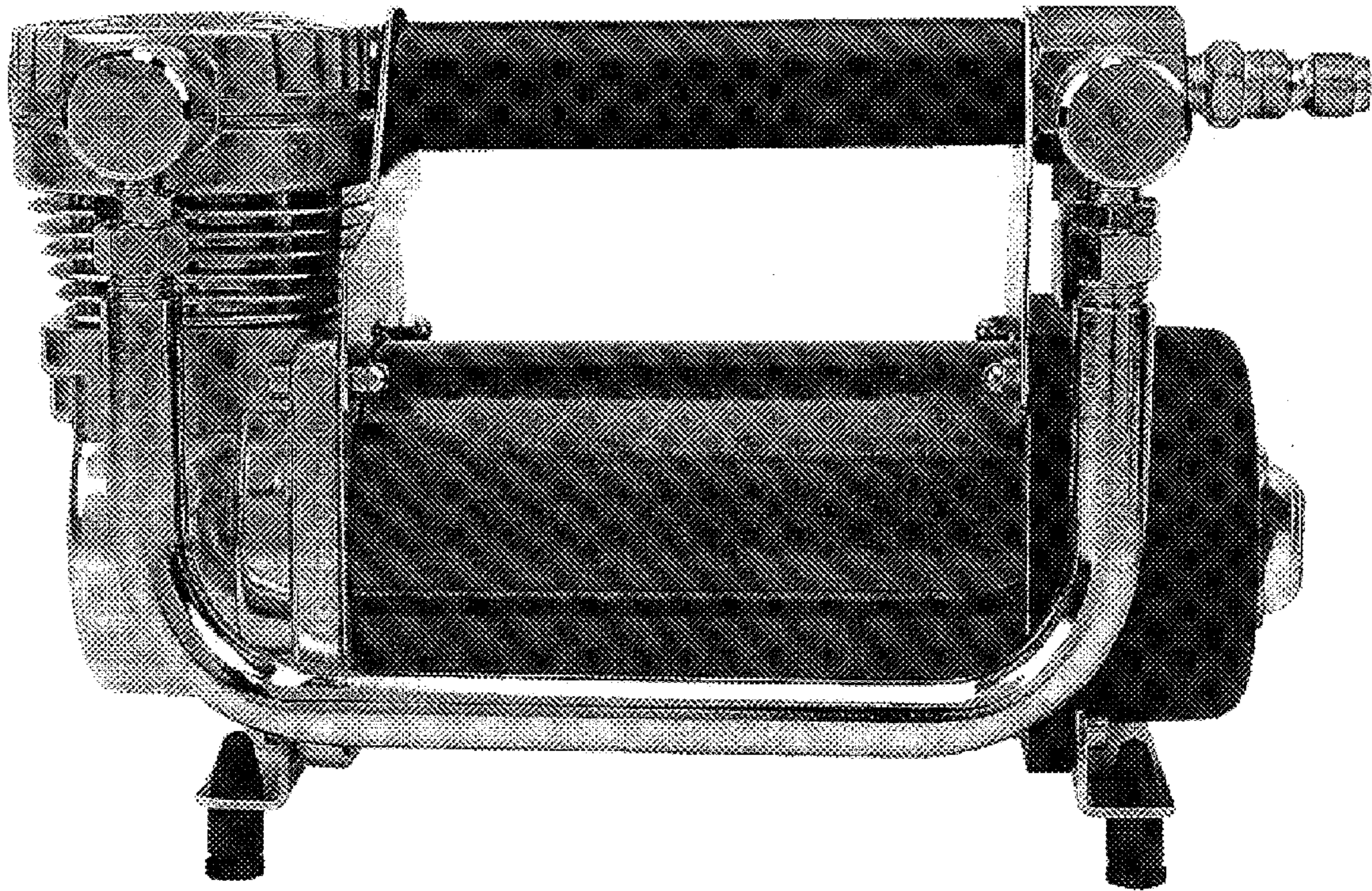


Figure 5

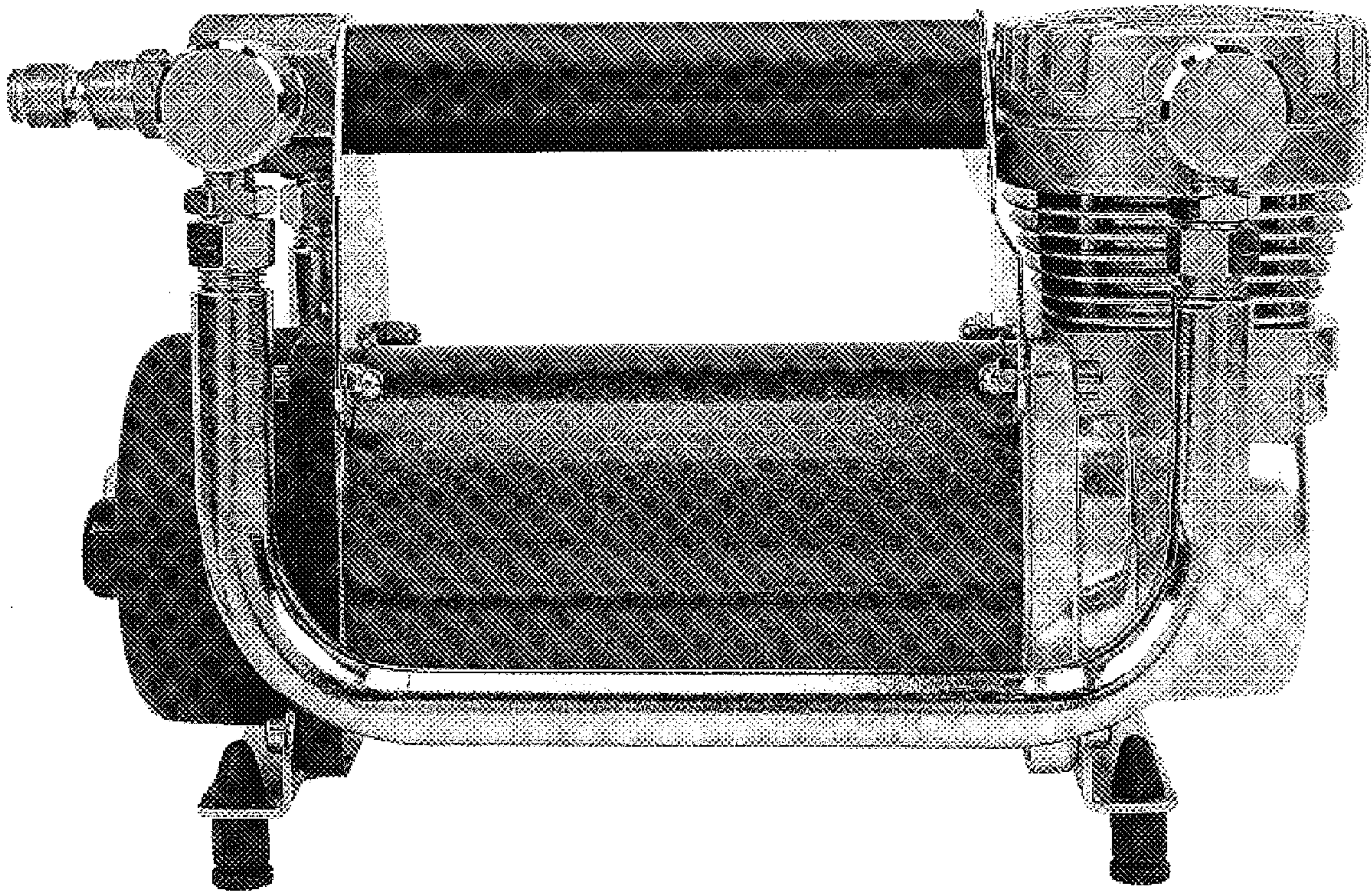


Figure 6

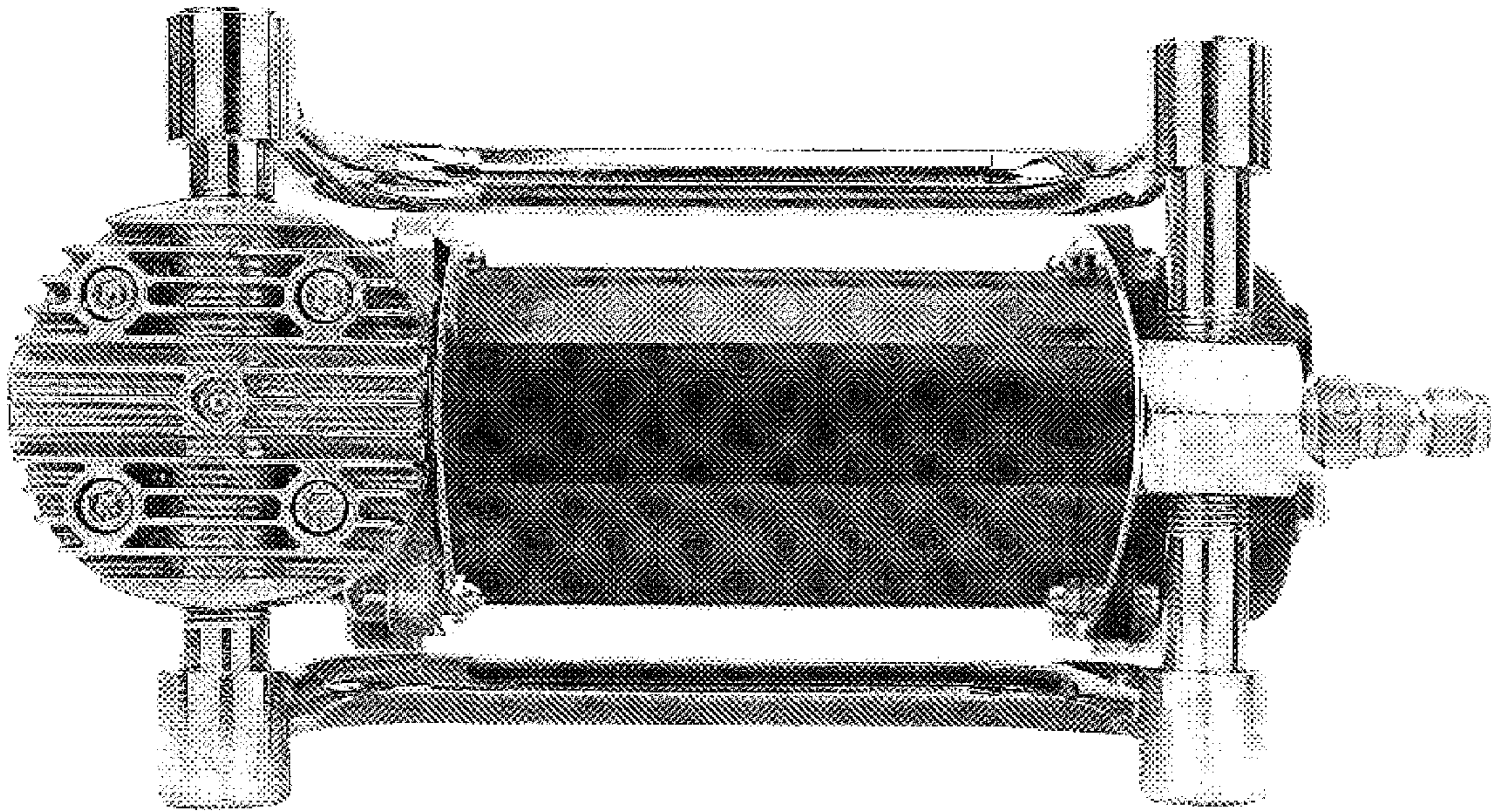


Figure 7

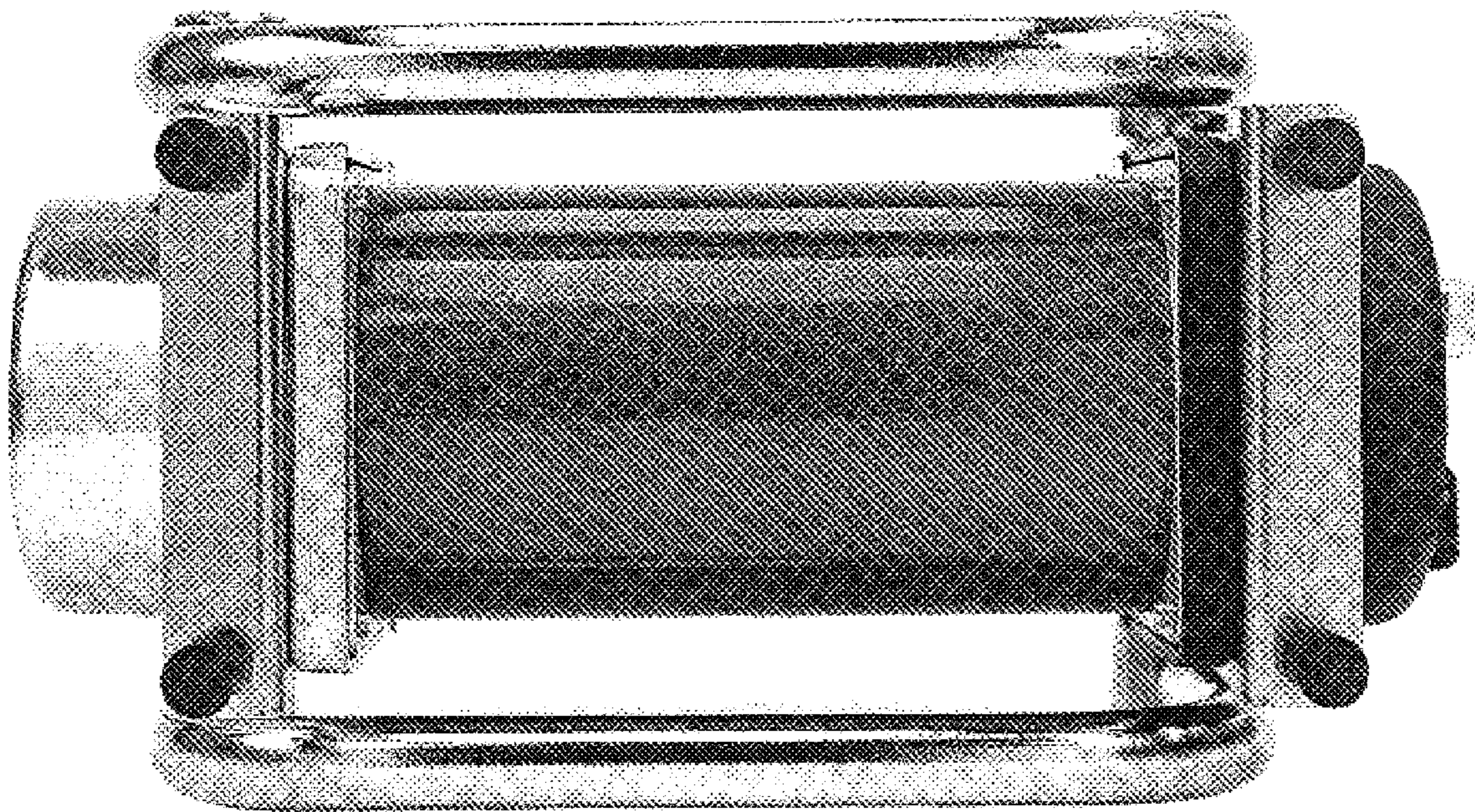


Figure 8