

US00D529046S

(12) **United States Design Patent**  
**Maeda et al.**

(10) **Patent No.: US D529,046 S**  
(45) **Date of Patent: \*\* Sep. 26, 2006**

(54) **INTERNAL-COMBUSTION ENGINE**

D503,723 S \* 4/2005 Giddens ..... D15/1

(75) Inventors: **Joji Maeda**, Wako (JP); **Masayuki Osumi**, Wako (JP)

**OTHER PUBLICATIONS**

(73) Assignee: **Honda Motor Co., Ltd.**, Tokyo (JP)

632935 Associated Design 7, Design Official Gazette(s), Issue date: Dec. 18, 1986.

(\*\*) Term: **14 Years**

632935 Associated Design 10, Design Official Gazette(s), Issue date: Sep. 9, 1992.

(21) Appl. No.: **29/227,656**

1095431, Design Official Gazette(s), Issue date: Jan. 9, 2001.

(22) Filed: **Apr. 14, 2005**

\* cited by examiner

(30) **Foreign Application Priority Data**

*Primary Examiner*—Charles Rademaker

Oct. 15, 2004 (JP) ..... 2004-031405

*Assistant Examiner*—Maurice Stevens

(51) **LOC (8) Cl.** ..... **15-01**

(74) *Attorney, Agent, or Firm*—Westerman, Hattori, Daniels & Adrian, LLP

(52) **U.S. Cl.** ..... **D15/1**

(58) **Field of Classification Search** ..... D15/1-5,  
D15/14, 16-17, 149; 74/606 R; 123/41.66,  
123/41.67, 41.7, 50 A, 50 B, 50 R, 51 R,  
123/51 A, 195 C, 198 E, 306, 308, 657, 667,  
123/661

(57) **CLAIM**

The ornamental design for, an internal-combustion engine, as shown and described.

See application file for complete search history.

**DESCRIPTION**

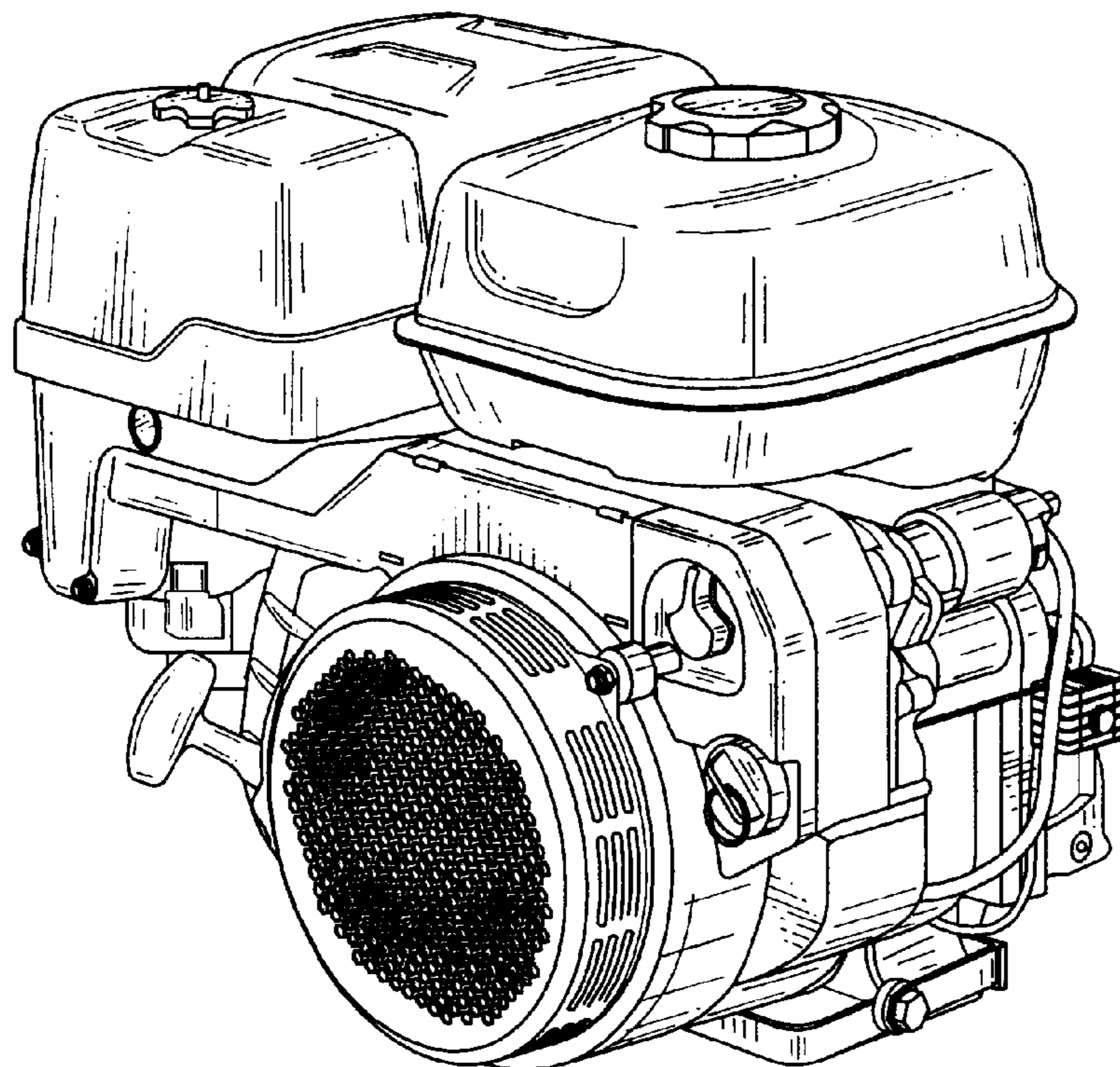
(56) **References Cited**

FIG. 1 is a front elevation view of an internal-combustion engine, showing our new design;  
FIG. 2 is a rear elevation view thereof;  
FIG. 3 is a top plan view thereof;  
FIG. 4 is a bottom plan view thereof;  
FIG. 5 is a right side elevation view thereof;  
FIG. 6 is a left side elevation view thereof;  
FIG. 7 is a perspective view thereof; and,  
FIG. 8 is another perspective view thereof.

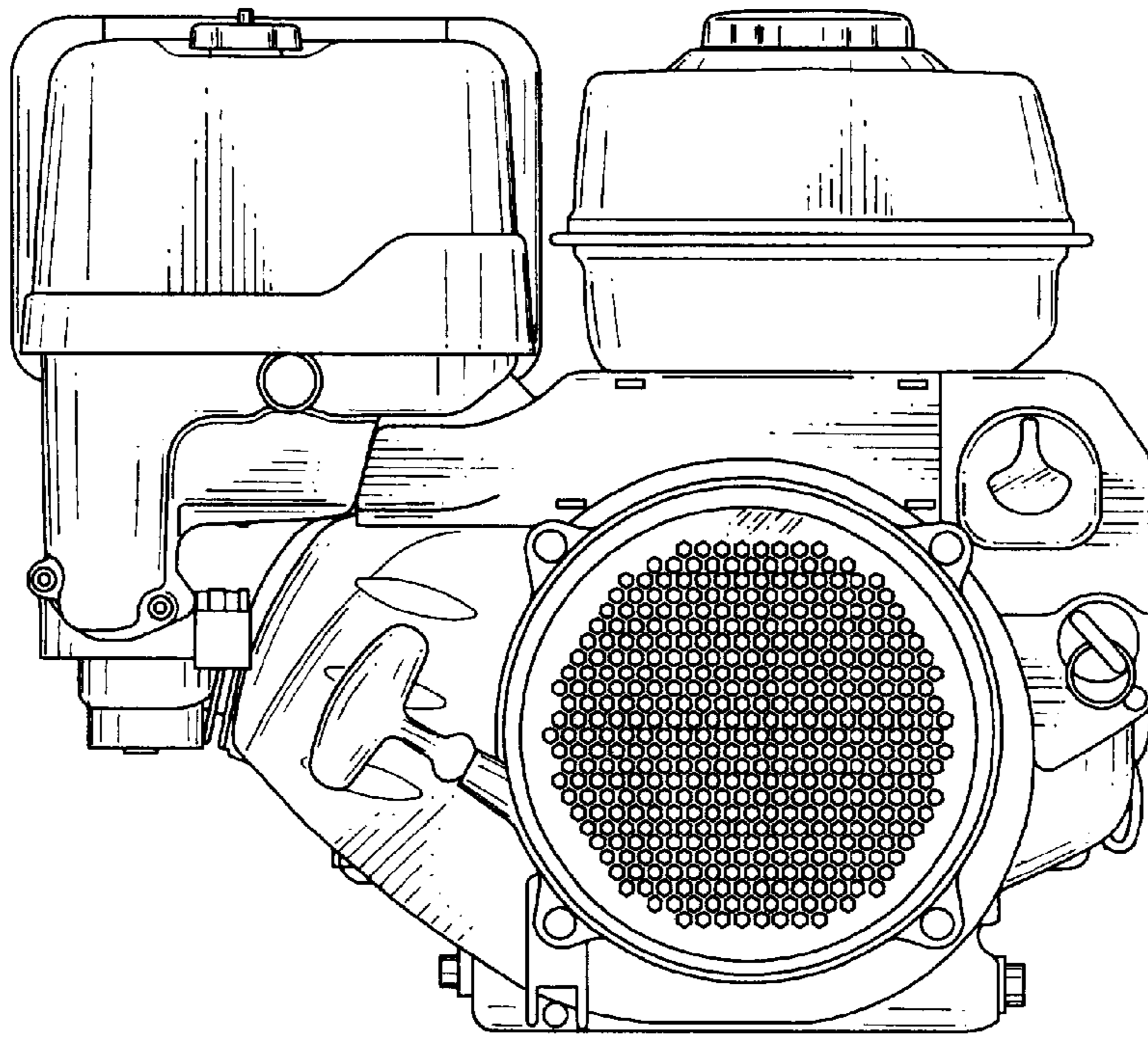
**U.S. PATENT DOCUMENTS**

- D309,458 S \* 7/1990 Johnson et al. .... D15/1
- D331,929 S \* 12/1992 Leaf et al. .... D15/1
- D387,357 S \* 12/1997 Gilmore ..... D15/1
- D396,476 S \* 7/1998 Shimizu ..... D15/1
- D449,051 S \* 10/2001 Miyashita ..... D15/1

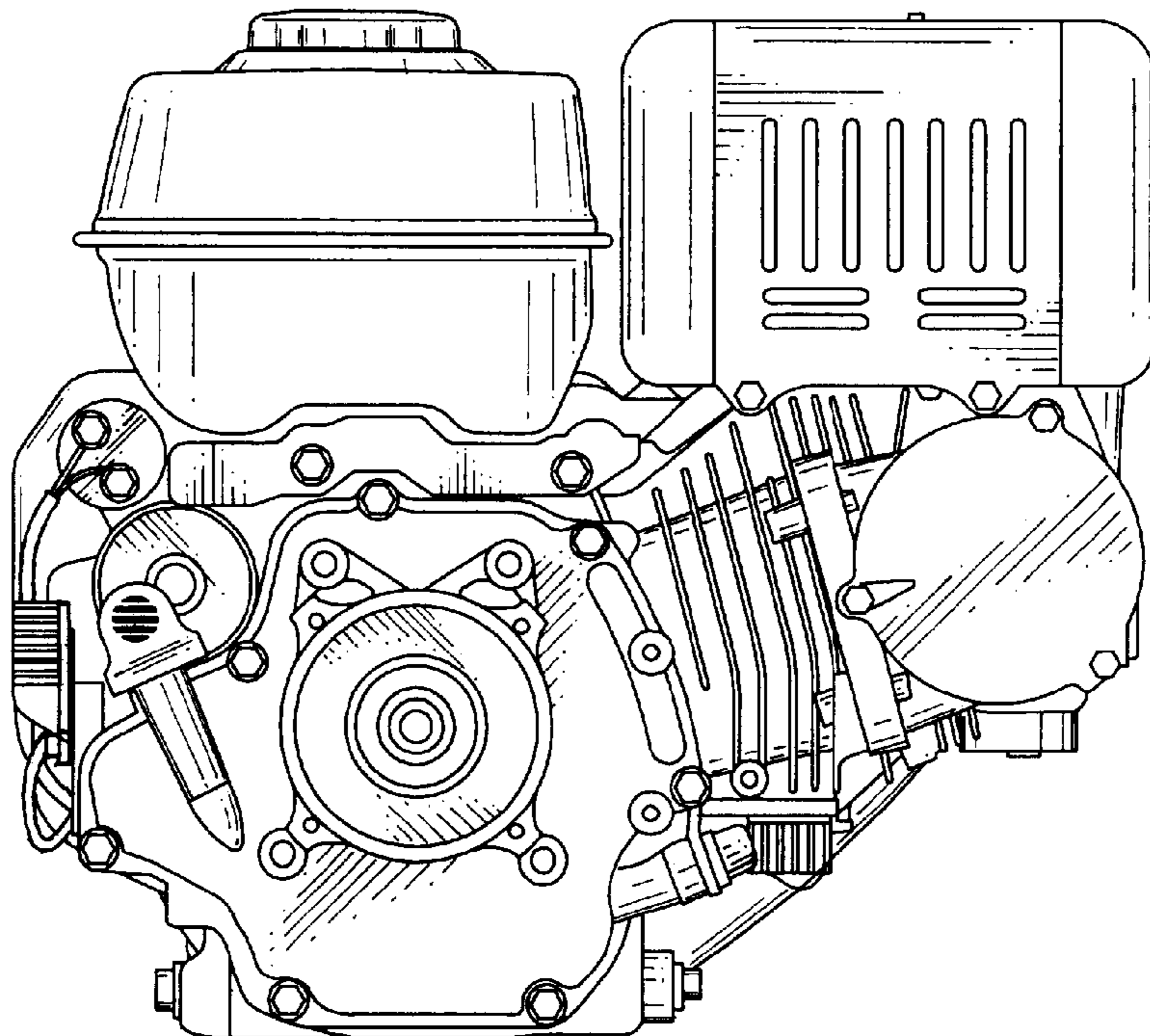
**1 Claim, 5 Drawing Sheets**



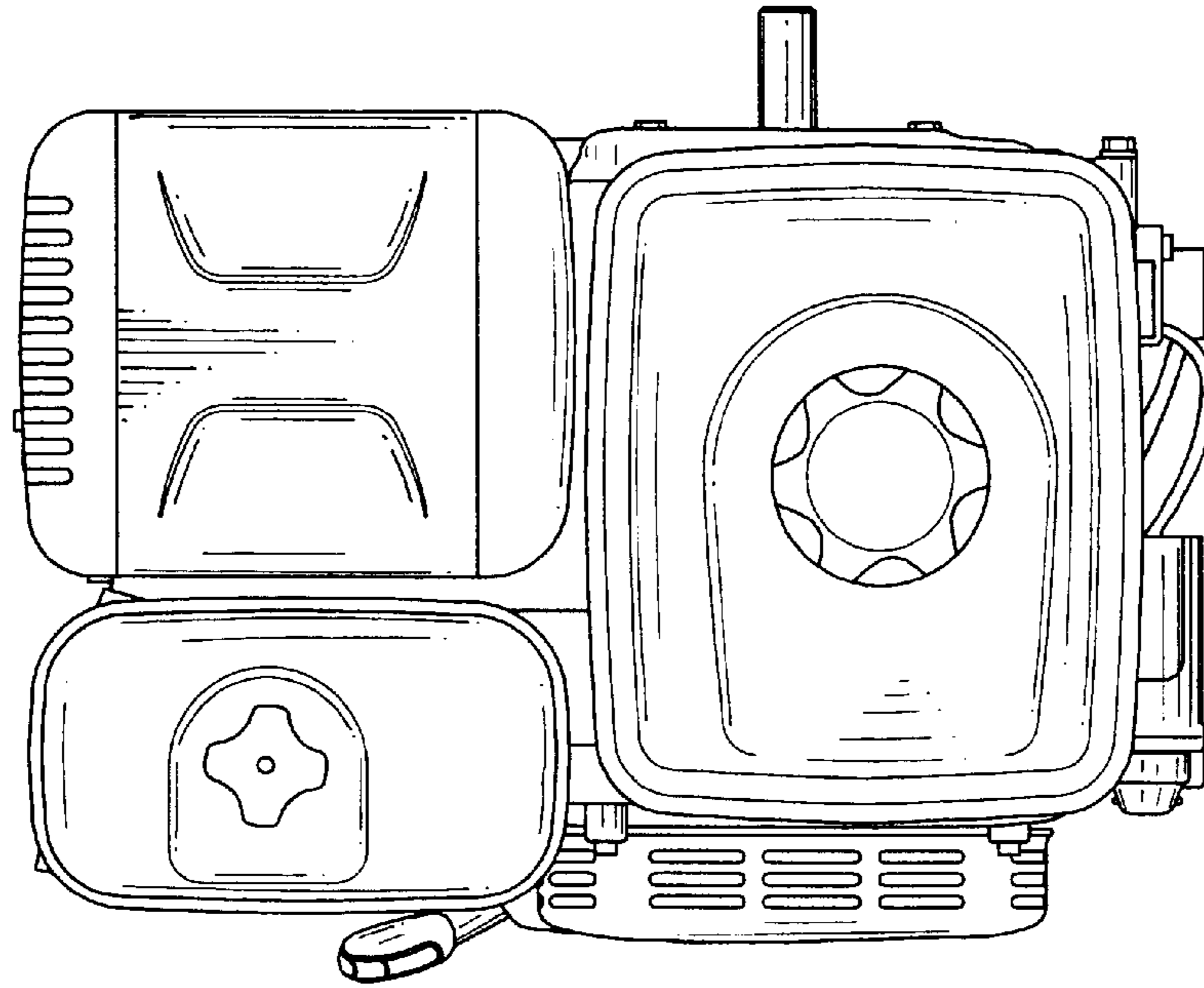
F I G. 1



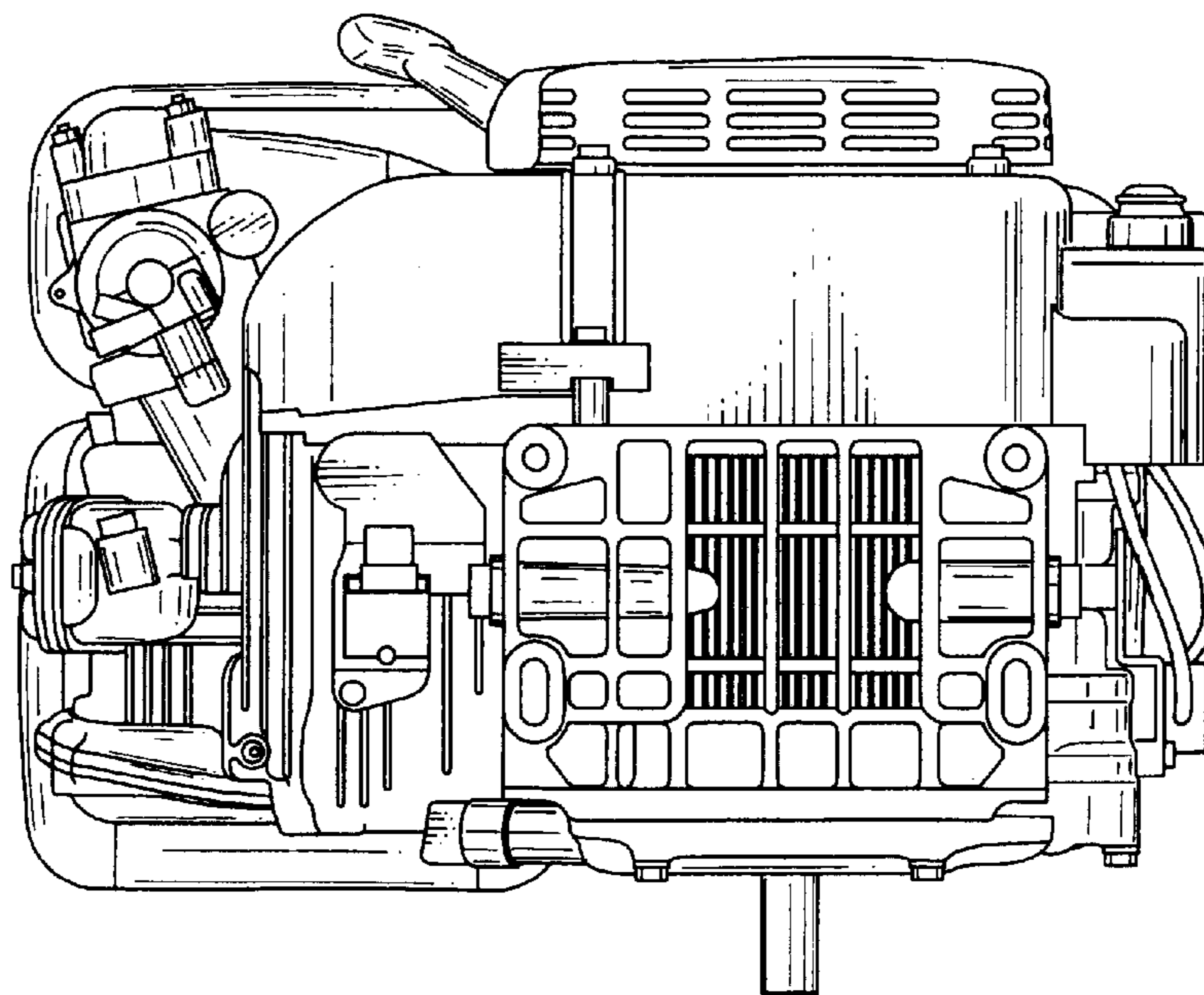
F I G. 2



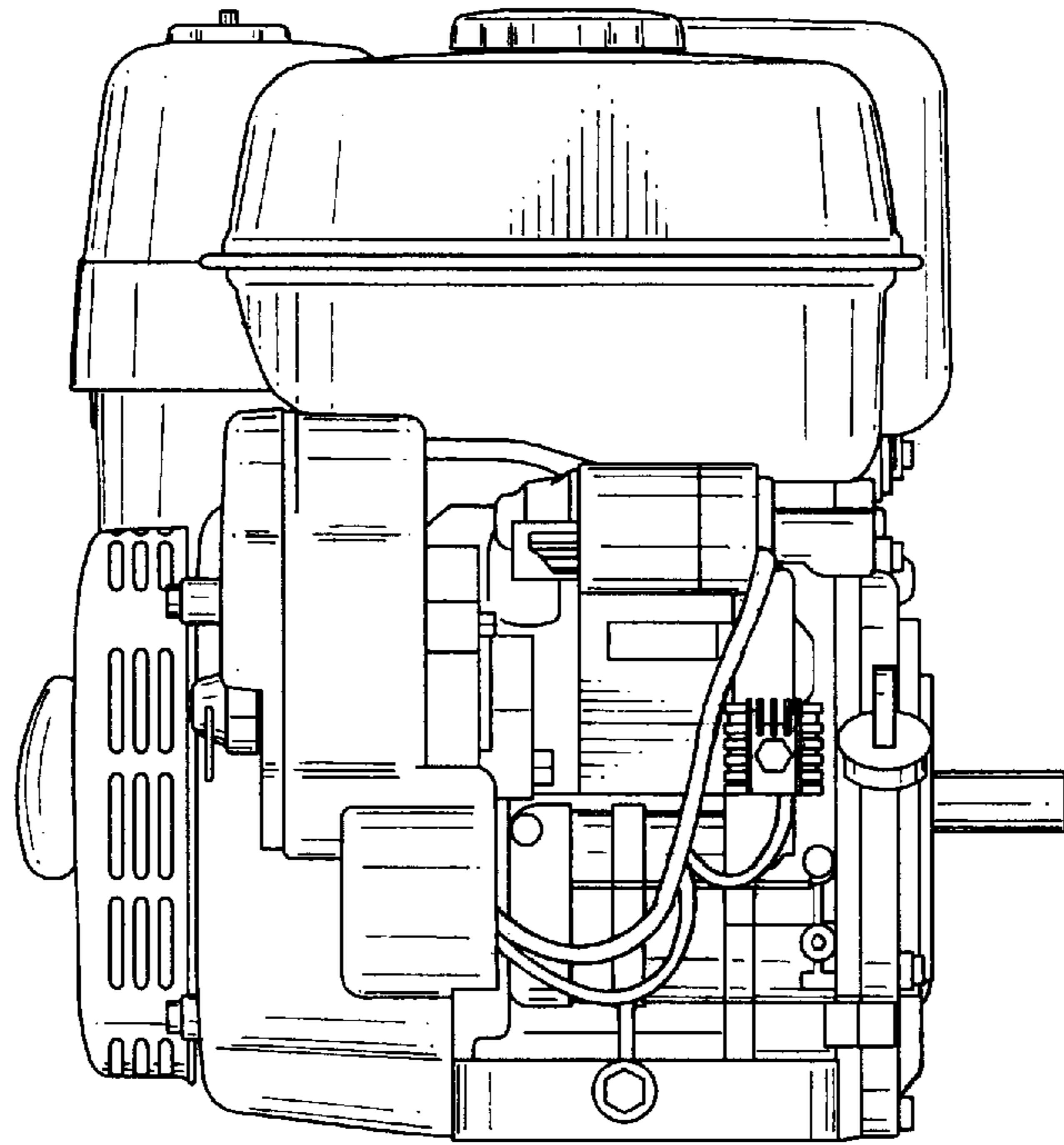
F I G. 3



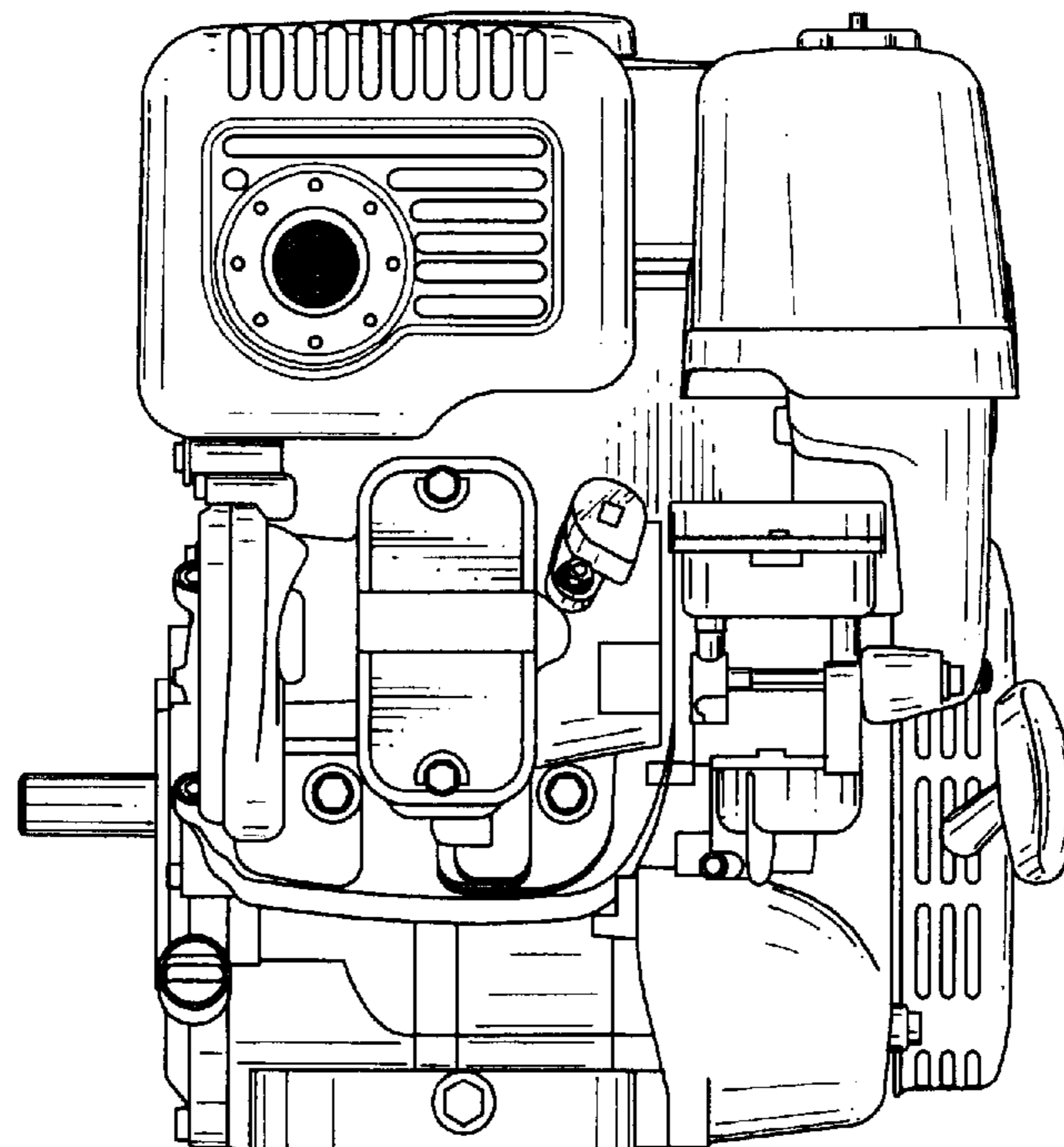
F I G. 4



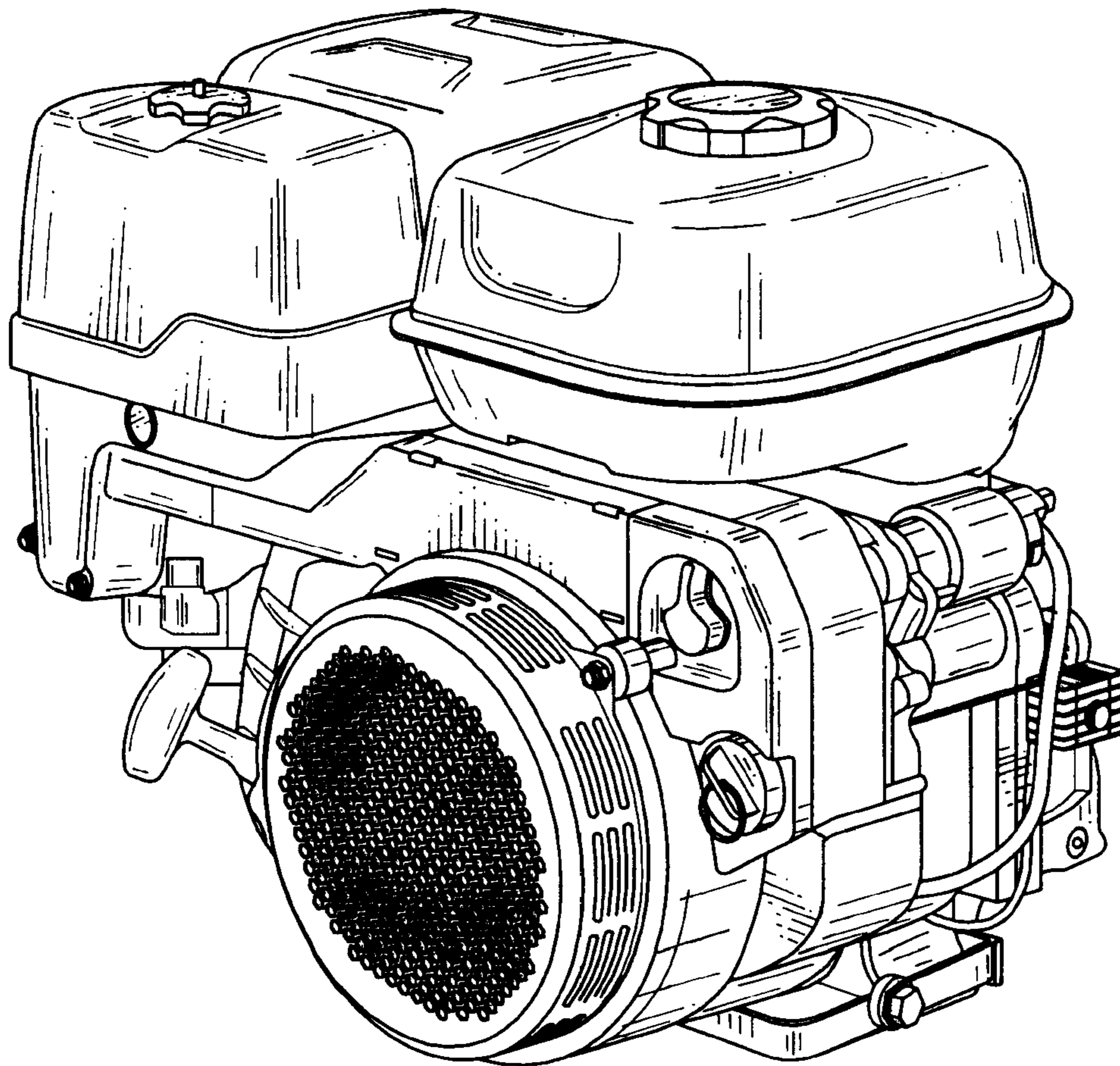
F I G. 5



F I G. 6



F I G. 7



F I G. 8

